

ELECTRICAL INFORMATION

ITEM DESCRIPTION	QTY.	VOLTAGE (V) (EA)	AMPS (A) (EA)
KASON 1825 NARROW JAMB PRESSURE RELIEF PORT (D02)	1	115	0.04
LIGHT-LED VAPOR PROOF FIXTURE(4") (1810LX4000 LED FIXTURE)	4	120	0.33
KASON 1806 LED FIXTURE	2	120	0.09
VIEWPORT (14" X 14") HEATED (D02)	1	120	0.59
KASON 1967-2 TEMPERATURE DISPLAY AND SWITCH	2	120	20.00
DOOR: 36" X 78" (4-SIDED HEAT)	1	120	0.94

City of Houston Texas

FOR APPROVAL ONLY

18076069

REVIEWED FOR COMPLIANCE
KEY NOTES
1. (4) LIGHT- (120V) LED 30 WATT VAPOR-PROOF FIXTURE (4") (BULBS INCLUDED IN PRICE)
Performance of this review does not cover compliance with applicable codes, ordinances and regulations

DO NOT BE RESPONSIBLE FOR THE REVIEW

D01: 36" X 78" HOLDING FREEZER DOOR WITH 4" H - FREEZER DOOR
D02: 14" X 14" HEATED VIEWPORT (D02) WITH 120V HEATED PRESSURE RELIEF VENT (KASON 1825 (115V HEATED NARROW JAMB))
D03: 14" X 14" HEATED VIEWPORT (D02) WITH 120V HEATED PRESSURE RELIEF VENT (KASON 1825 (115V HEATED NARROW JAMB))

COMPLIANCE
WALK-INS MEET OR EXCEED ALL PRESCRIPTIVE STANDARDS OF THE ENERGY INDEPENDENCE AND SECURITY ACT (EISA) OF 2007 (H.R. 6)

REFERENCE SYMBOL LEGEND

SITE NOTATION
• WHEN APPLICABLE - DOES BUILDING FLOOR HAVE TILE AND GROUT INSTALLED BEFORE OR AFTER WALK-IN INSTALLATION IF SO PROVIDE TILE THICKNESS
• ALLOW 2" FOR COOLER AND FREEZER MINIMUM AIR SPACE ALL AROUND WALK-IN FOR AMPLE AIR CIRCULATION

WARNINGS:
• TO AVOID DOOR GASKET DAMAGE, DO NOT EMBOSSE FREEZER DOOR GASKETS PRIOR TO STARTUP OF REFRIGERATION
• TO AVOID DISCOLORATION OF METAL ON PANELS, PROPERLY VENTILATE EACH ROOM IF TILE OR MASONRY WORK IS TO BE DONE

CONSTRUCTION (STANDARD)
CORNERS AND T-WALLS ONE PIECE CONSTRUCTION WITH RADIUS AT ALL INSIDE VERTICAL CORNERS, JOINTS SEALED W/ PVC GASKET AT INT. & EXT. PERIMETER OF PANELS, CONNECTED W/ CAM-LOCK FASTENERS.

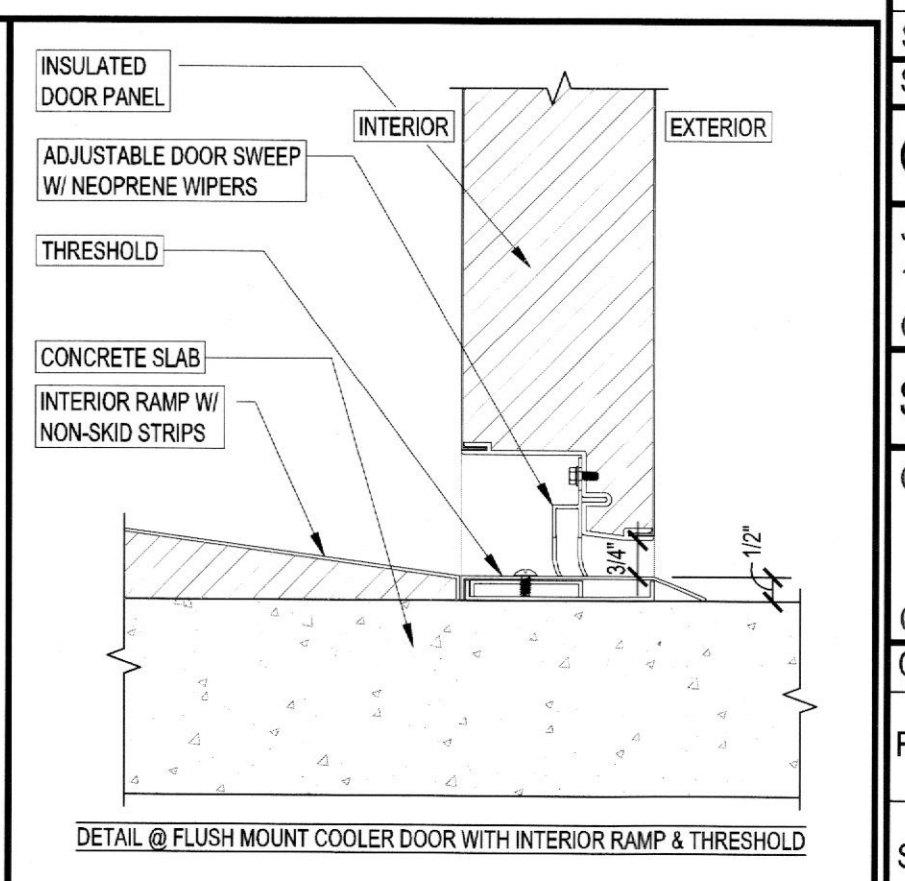
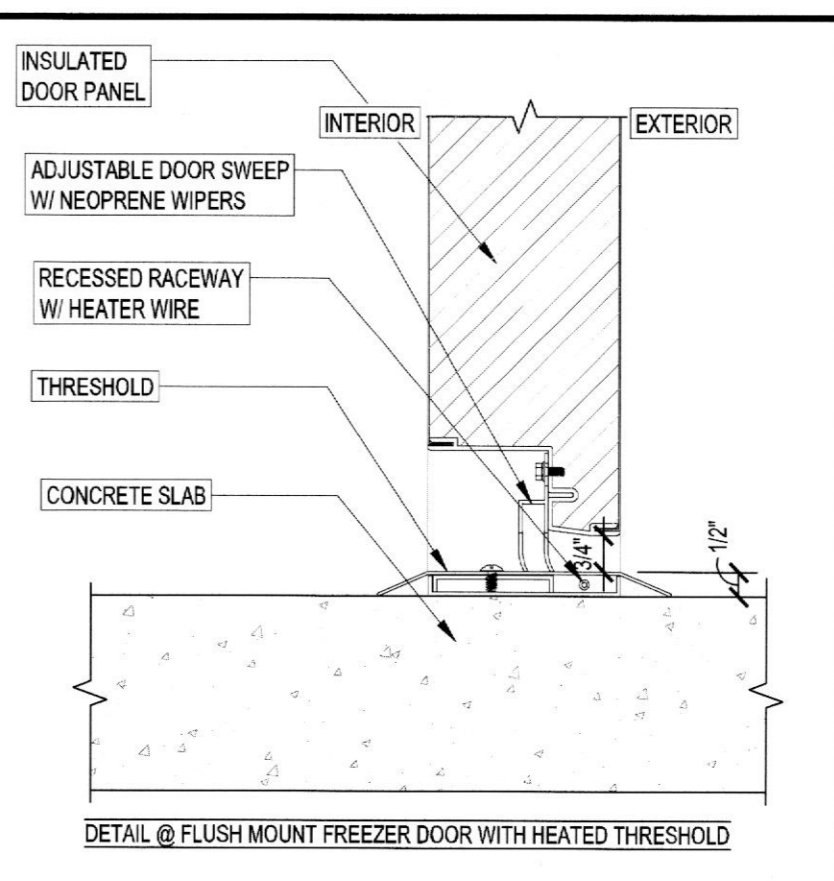
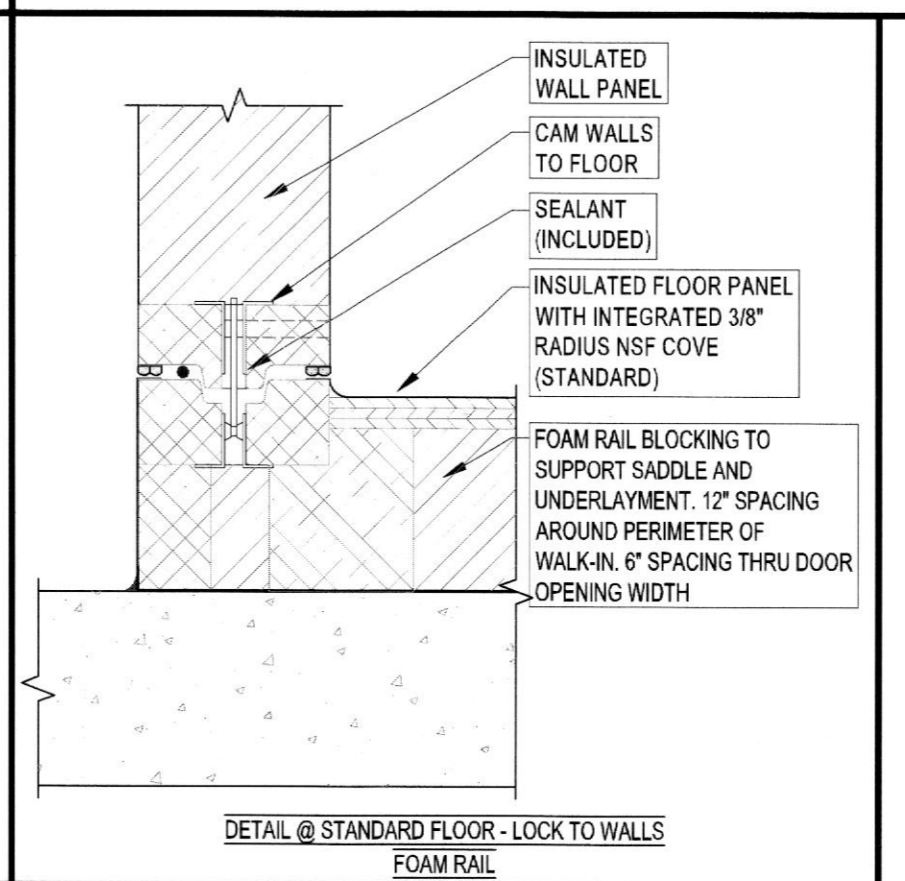
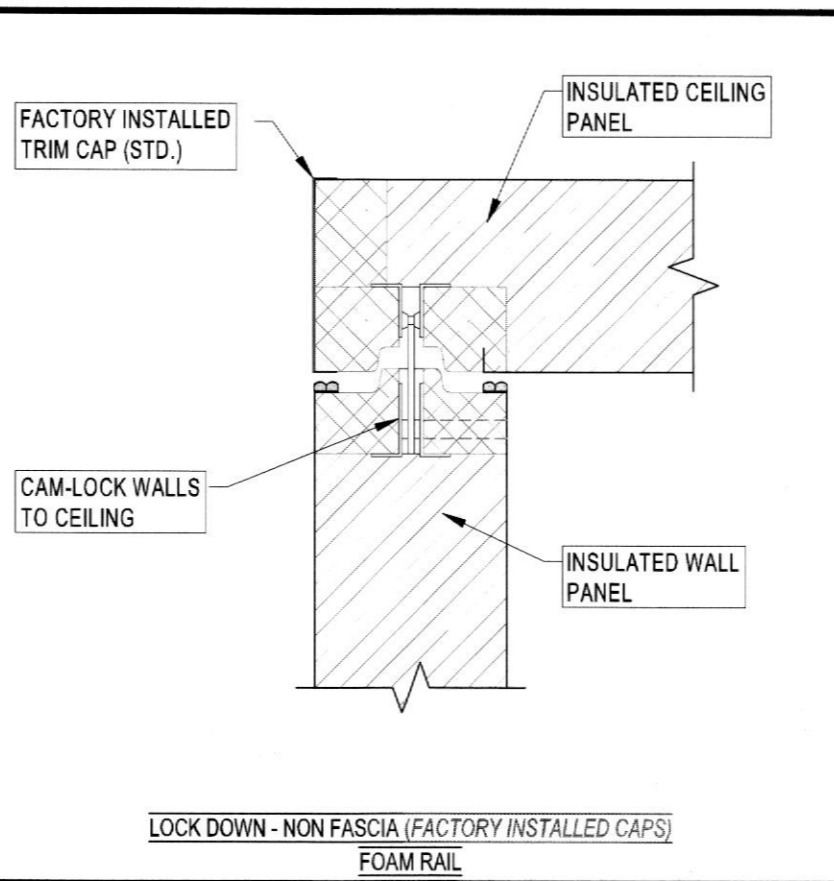
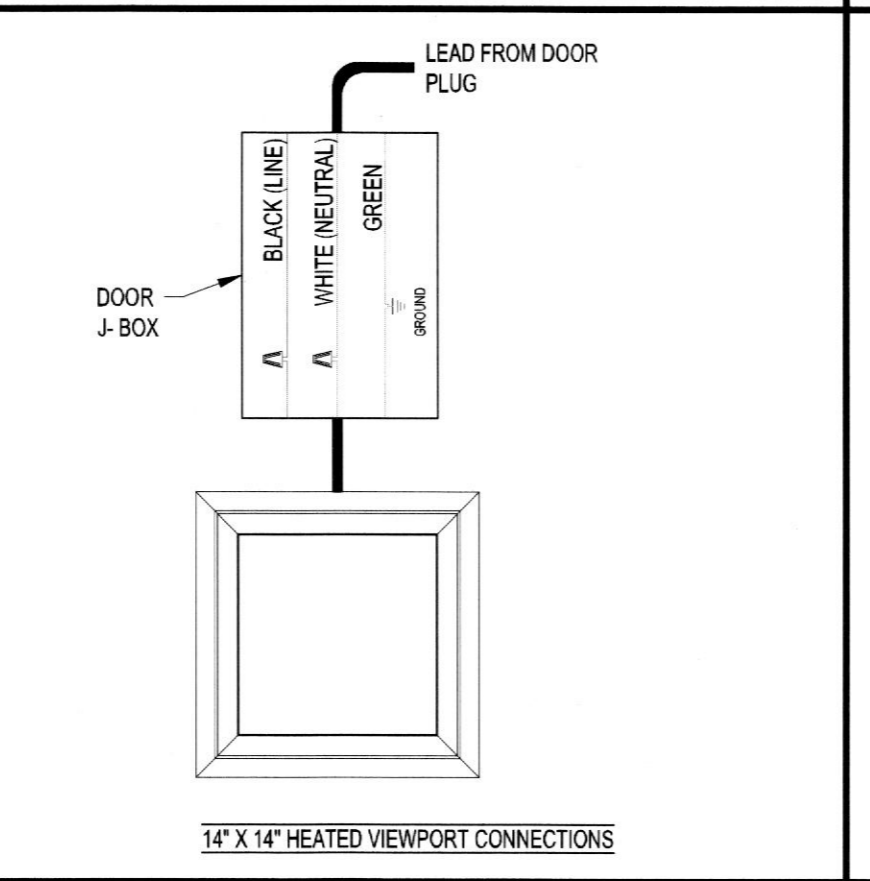
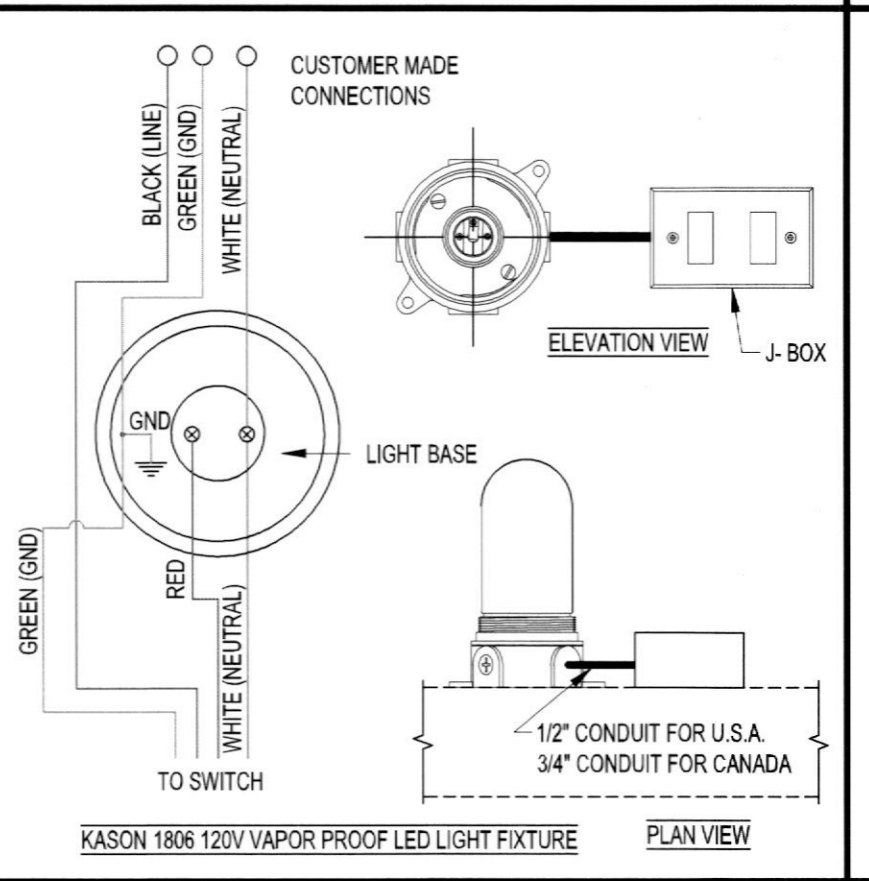
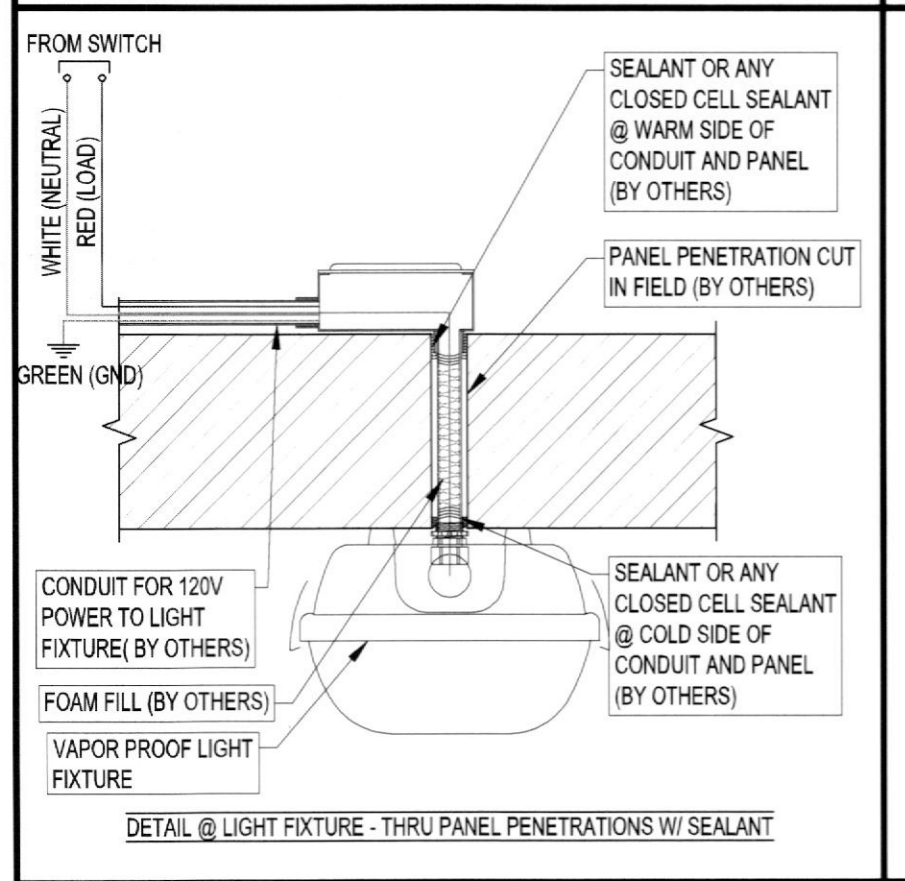
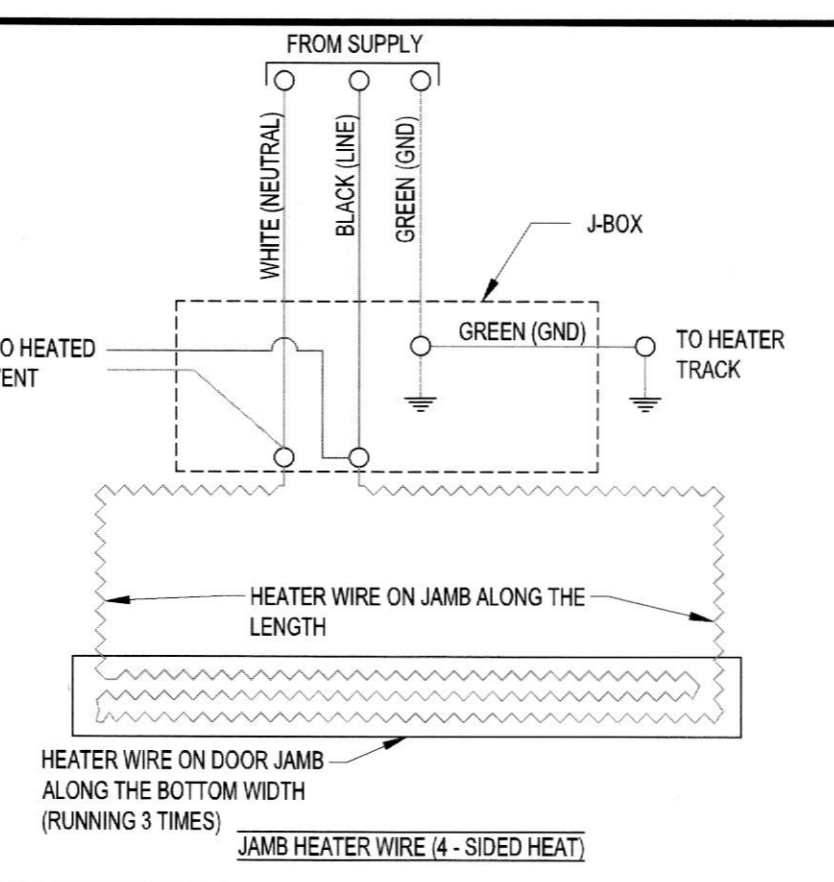
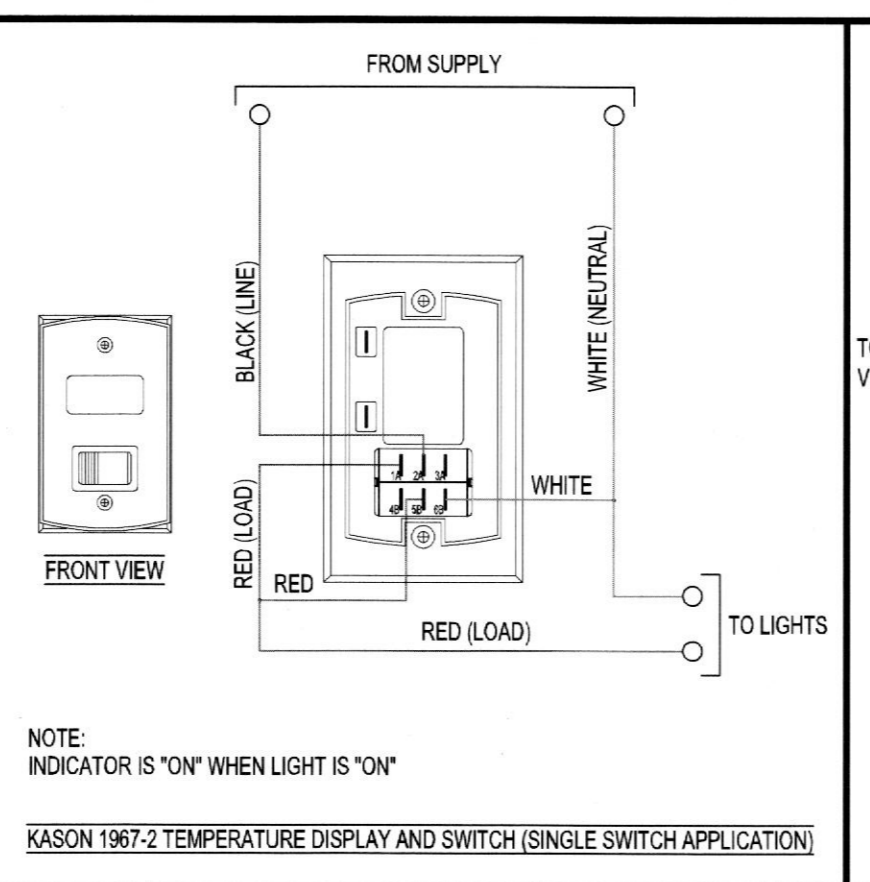
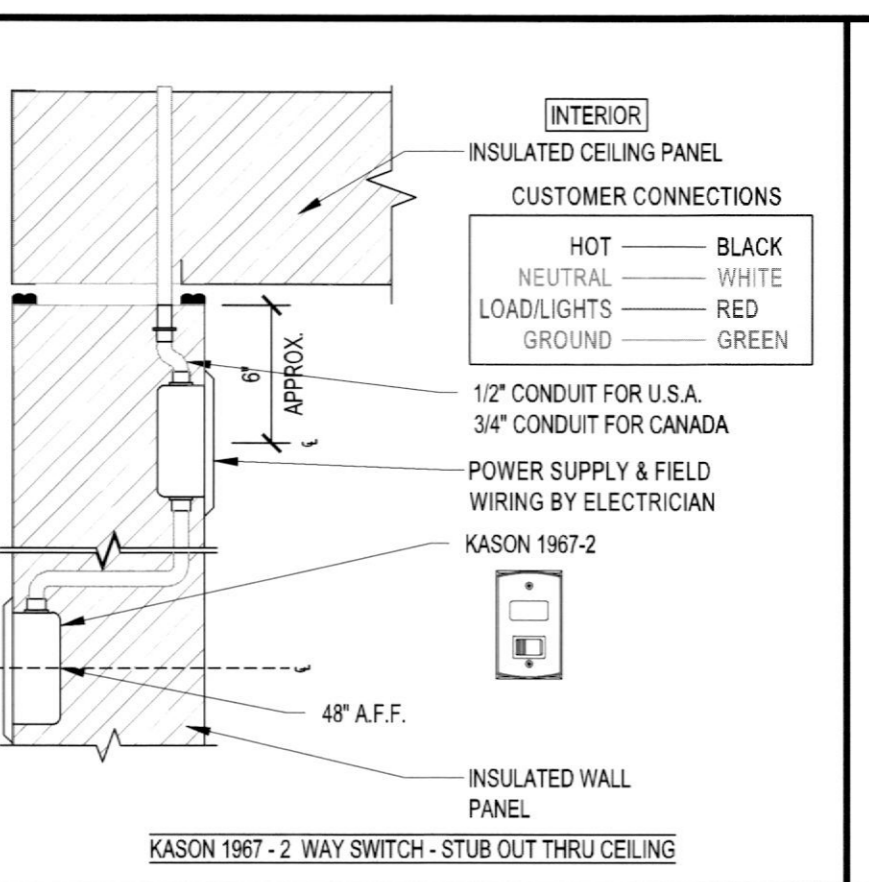
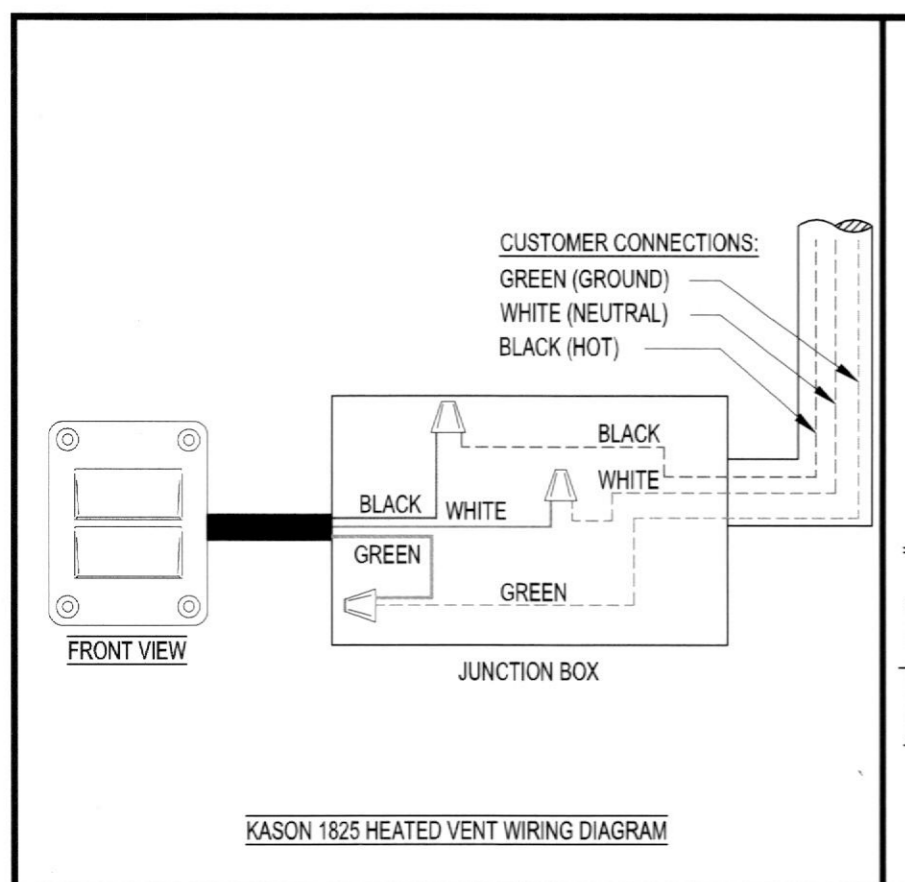
INSULATION (STANDARD)
FOAMED IN PLACE, OVER 90 PERCENT CLOSED CELL CONTENT, LESS THAN 25 FLAME SPREAD IN ACCORD WITH UL 723 WHICH IS SIMILAR TO ASTM E84 (THE STEINER TUNNEL TEST) AND CLASS 'A' INTERIOR FINISH IN ACCORDANCE WITH NFPA 101 SECTION 6-2 AND NFPA 255. K-FACTOR NOT TO EXCEED 0.14 FOR COOLER, AND .125 AT 20°F FOR FREEZER BTU/HOUR/FT² PER INCH THICKNESS IN ACCORDANCE WITH ASTM C177 AT 55° F MEAN TEMPERATURE.

ELECTRICAL NOTICE
• ALL ELECTRICAL COMPONENTS WITHIN THE WALK-INS, I.E. LIGHT SWITCHES, PRESSURE RELIEF PORTS, JAMB HEATERS SHALL BE FACTORY PRE-WIRED, FOR HOOK UP BY ELECTRICAL CONTRACTOR
• ALL LIGHT FIXTURES SUPPLIED ARE SHIPPED LOOSE FOR INSTALLATIONS BY ELECTRICAL CONTRACTOR.
• ThermalRite SHALL ACCEPT NO RESPONSIBILITY FOR ANY BACK CHARGES ASSOCIATED WITH INSTALLATION OF LIGHT FIXTURES OR FIELD WIRING CONNECTIONS.

EVERIDGE
Every step of the way

THERMALRITE
15600 37TH AVE. SUITE 100
PLYMOUTH, MA 01464
PHONE (781) 541-1410 FAX (781) 541-1563
http://www.thermalrite.com

NSF
UL
ET
EL



Approval Status Block

REV DESCRIPTION DATE BY

Approval Status Block

Drawing Reviewed By:

Review Date:

Please Check Appropriate Field

Approved as Drawn:

Revise and Resubmit:

Customer Service Rep.

JENNIFER BLAIR

Submittal Drafter Shop Drafter

SD

Save Dwg Date: 4.16.2018

Customer/Dealer
JOHNSON-LANCASTER (CHAINS)
13031 US HWY 19N
CLEARWATER, FL 33764

Site Information
OUZO BAY IN HOUSTON
CLEARWATER, FL 33764
Create Dwg Date: 4.16.2018

Project # 277232-01

Sheet # Q-01