

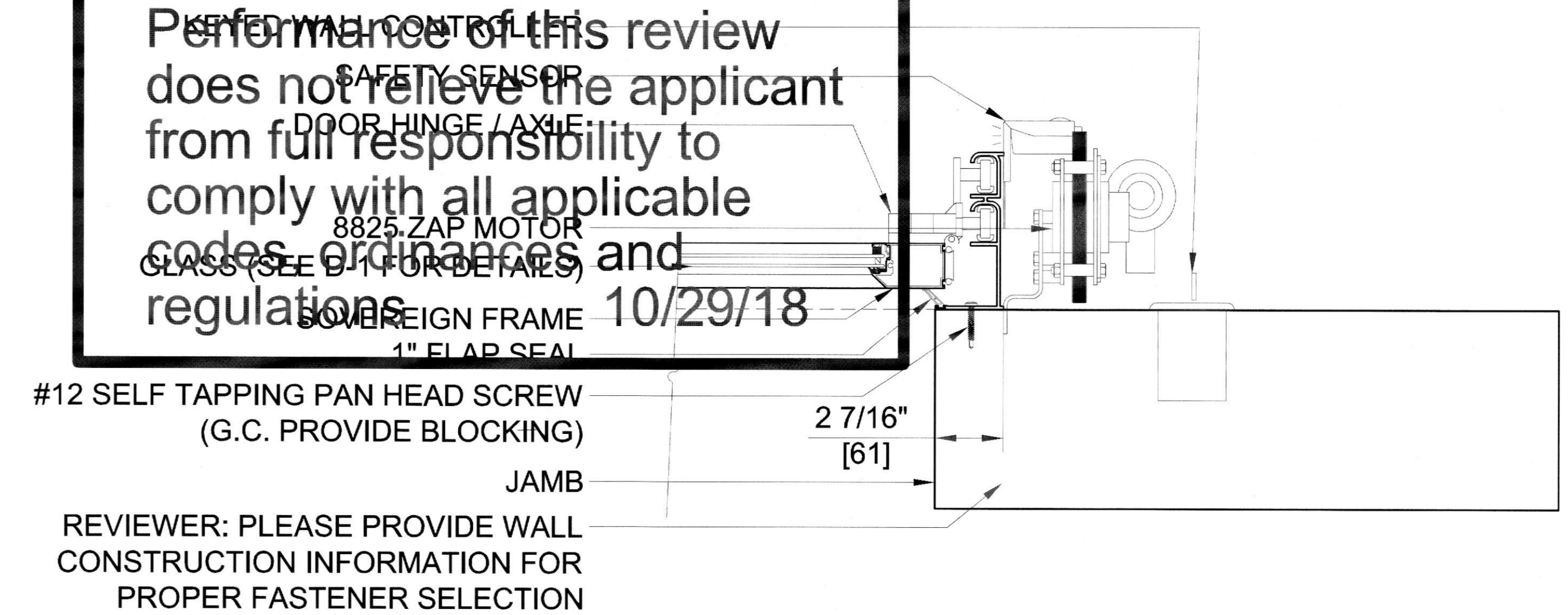
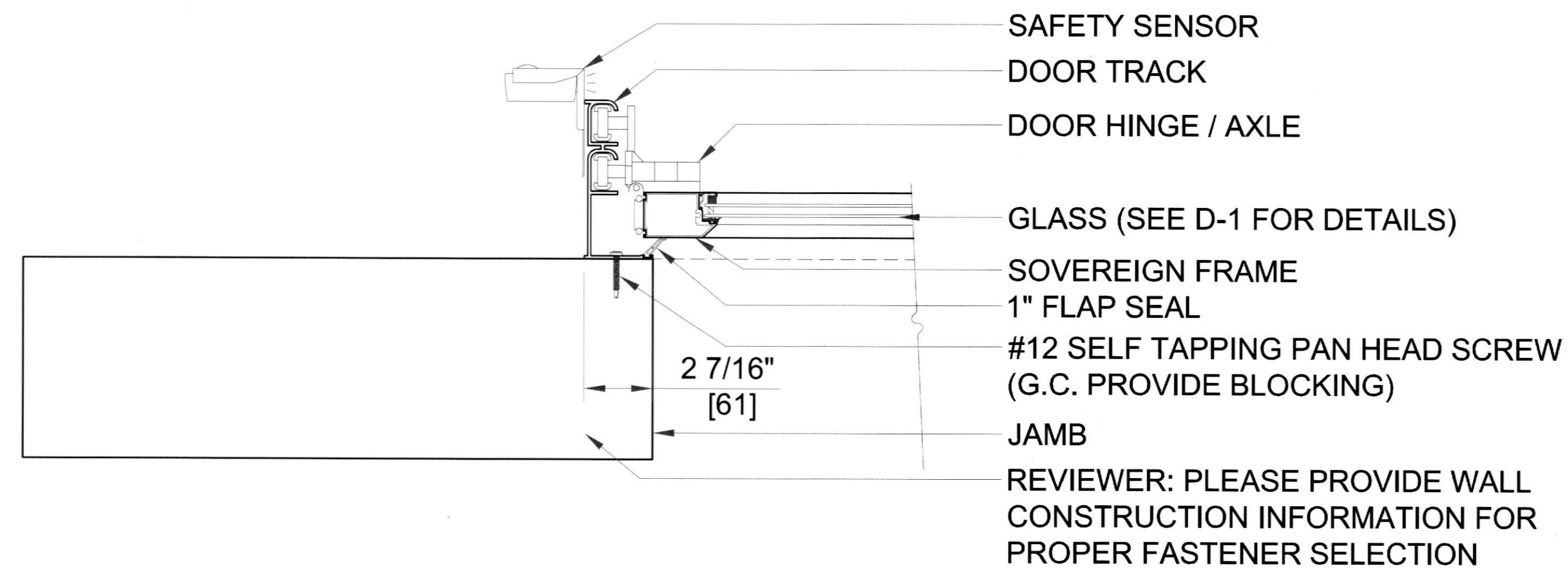
City of Houston Texas



18076069

REVIEWED FOR COMPLIANCE

Performance of this review  
 does not relieve the applicant  
 from full responsibility to  
 comply with all applicable  
 codes, ordinances and  
 regulations. 10/29/18



**01** JAMB DETAIL TYP.  
 SCALE: 1-1/2" = 1'

**02** JAMB DETAIL TYP.  
 SCALE: 1-1/2" = 1'

DATE	BY	No.	Description
11/17/15	JLF	1	ISSUED FOR APPROVAL

**RENLITA DOORS**<sup>®</sup>

P.O.Box B  
 220 E. First Street  
 Bonham, Texas 75418  
 Phone: 903-583-7500 Fax: 903-583-7544

www.renlitadoors.com

Project: ASHBURY PARK HOTEL  
 Project No.: 0806  
 Issue Date: 11/17/15  
 Drawn By: JLF  
 Drawing No.:

**D-5.0**