

18076069

REVIEWED FOR COMPLIANCE

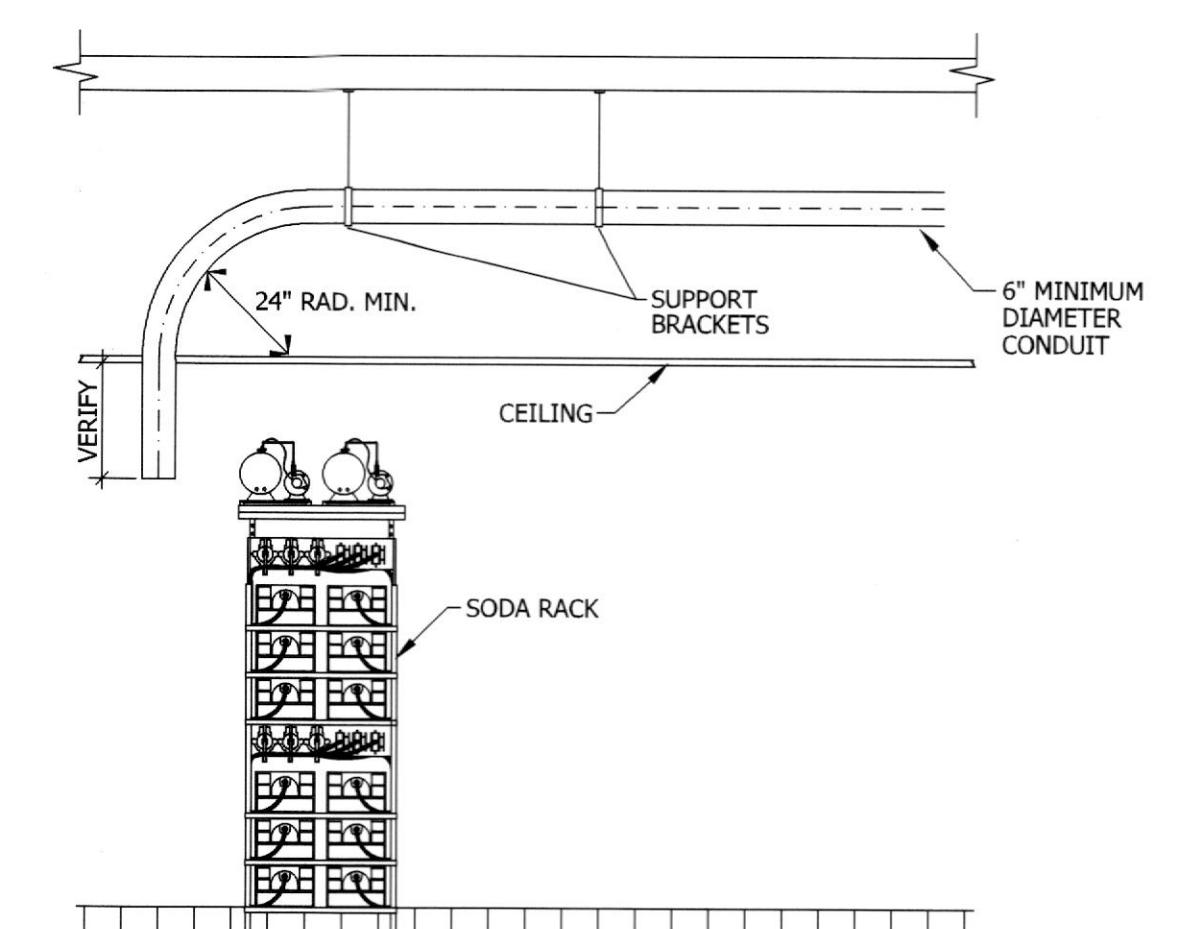
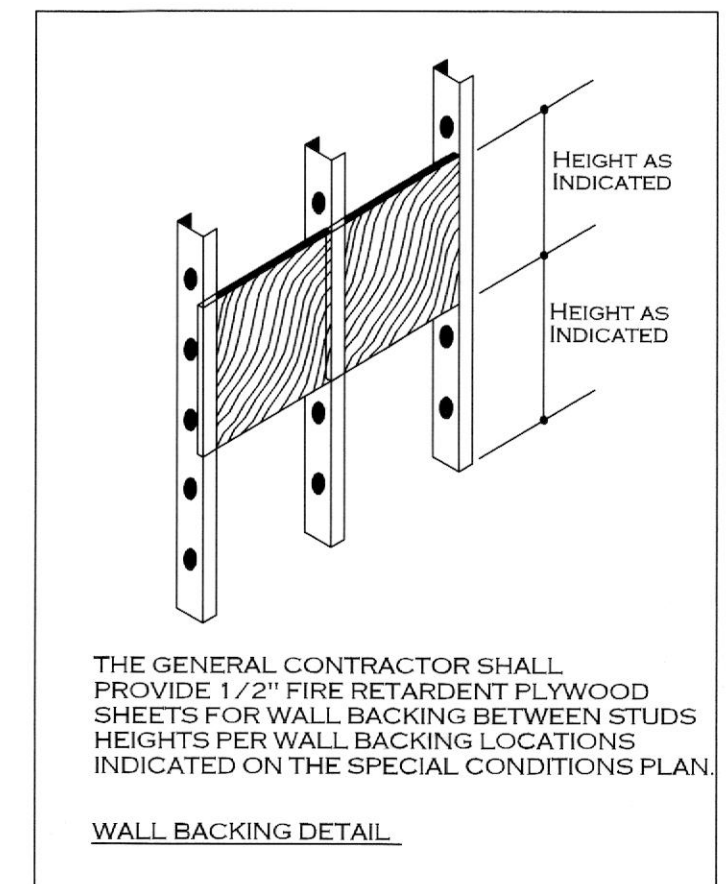
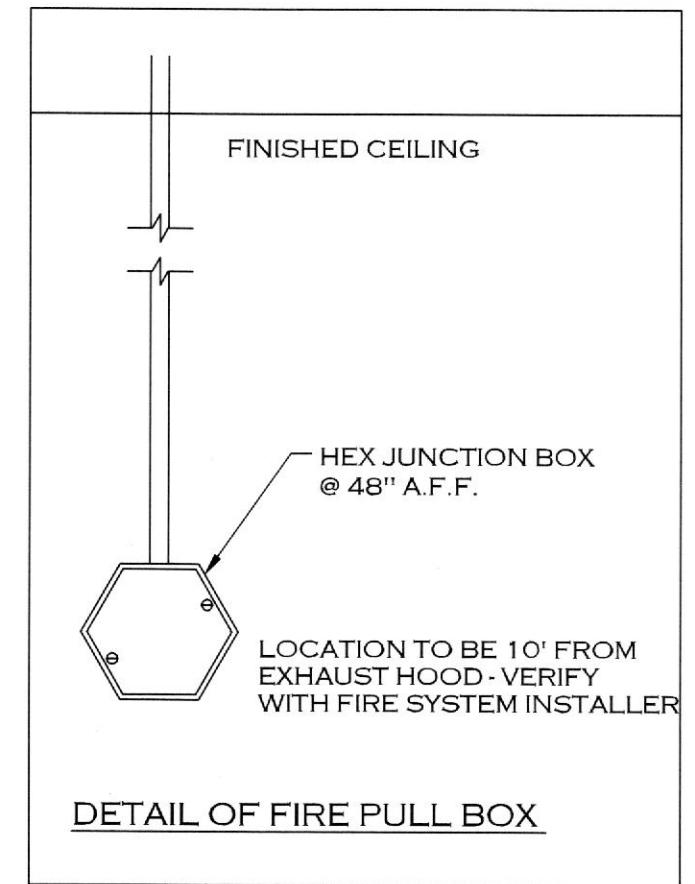
Performance of this review does not relieve the applicant from full responsibility to comply with all applicable codes, ordinances and regulations 10/29/18

WALL BACKING SCHEDULE

- WB-1 = WALL BACKING FROM 50" TO 78" A.F.F. - .75" PLYWOOD - WALL SHELVES
- WB-2 = WALL BACKING FROM 30" TO 54" A.F.F. - .75" PLYWOOD - HAND SINK
- WB-3 = WALL BACKING FROM 50" TO 78" A.F.F. - .75" PLYWOOD - DISH TABLE SHELVES
- WB-4 = WALL BACKING FROM 66" TO 96" A.F.F. - .75" PLYWOOD - WATER FILTER
- WB-5 = WALL BACKING FROM 50" TO 60" A.F.F. - .75" PLYWOOD - PRE-RINSE FAUCET
- WB-6 = WALL BACKING FROM 60" TO 78" A.F.F. - .75" PLYWOOD - MOP RACK SHELF

SYMBOLS		ABBREVIATIONS	
(R)	REFRIGERATION CONNECTION	FS	FLOOR SINK
(CG)	2X2X48 STAINLESS STEEL CORNER GUARD	FT	FLOOR TROUGH
(FP)	FIRE PULL STATION - BY VENDOR	(K)	K-CLASS FIRE EXTINGUISHER - BY OTHERS

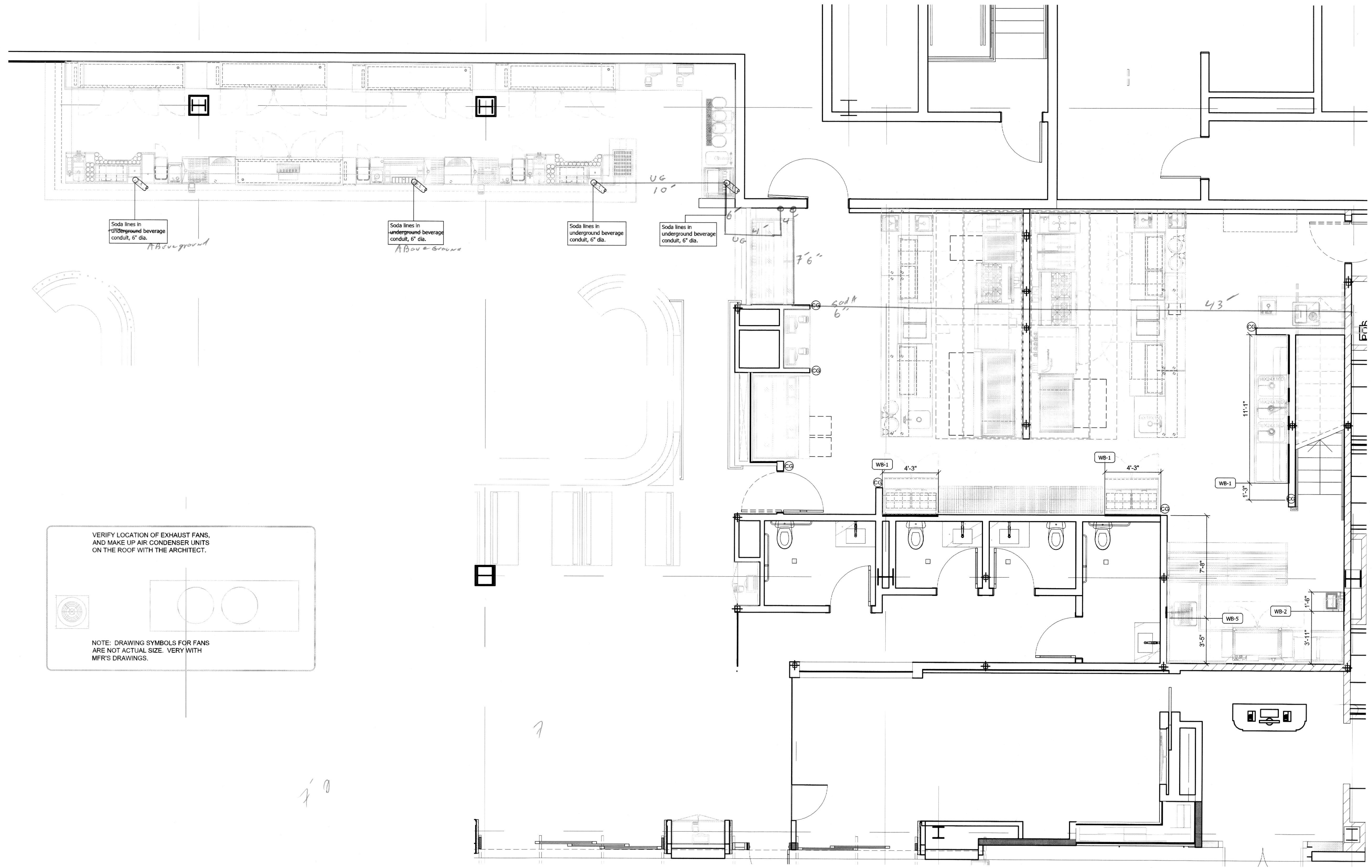
SYMBOLS	
---	SODA LINE RUNS / CONDUIT BY OTHERS (BY SODA VENDOR)
---	BEER LINE RUNS / CONDUIT BY OTHERS (BY KITCHEN EQUIPMENT CONTRACTOR)
---	REFRIGERATION LINES (BY KITCHEN EQUIPMENT CONTRACTOR)



CONDUIT TO BE ROUND METALLIC, PVC (OR EQUAL) DIAMETER AS INDICATED WITH MINIMUM BEND RADIUS OF 24" FURNISH ALL 6" METAL CONDUIT AS DESCRIBED IN THE NATIONAL ELECTRICAL CODE REFERENCING, CONDUIT, METAL DUCT, SWEEP ELBOWS, OR EQUAL

BEVERAGE CONDUIT DETAIL (OVERHEAD)
VERIFY EXACT LOCATIONS

N.T.S.



1 OUZO KITCHEN AND BAR SPECIAL CONDITION PLAN

Scale: 1/4" = 1' 0"

JOHNSON-LANCASTER AND ASSOCIATES, INC.
FOOD SERVICE EQUIPMENT SPECIALIST
13031 US Highway 19 N Clearwater, FL 33764 (727) 796-5622

REVISIONS	NUMBER	DATE	DESCRIPTION
	1	10/19/18	PER HEALTH DEPARTMENT COMMENTS
	2	10/24/18	PER HEALTH DEPARTMENT COMMENTS

OUZO RESTAURANT & LOCH BAR
HOUSTON, TEXAS

PROJECT TITLE:	
DATE:	06/28/2017
SCALE:	1/4" = 1'-0"
DRAWN BY:	JR
DESIGNED BY:	JR
PAPER SIZE:	24x36
SPECIAL CONDITIONS PLAN	
SHEET:	FS-5.0