



18076069

REVIEWED FOR COMPLIANCE

Performance of this review does not relieve the applicant of all responsibility to comply with all applicable codes, regulations and regulations. 10/29/18

JOHNSON-LANCASTER AND ASSOCIATES, INC.
FOOD SERVICE EQUIPMENT SPECIALIST

REVISIONS	DESCRIPTION	DATE	PER HEALTH DEPARTMENT COMMENTS
1		10/19/18	
2		10/24/18	

OUZO RESTAURANT & LOCH BAR
HOUSTON, TEXAS

DATE:	06/28/2017
SCALE:	1/4" = 1'-0"
DRAWN BY:	JR
DESIGNED BY:	JR
PAPER SIZE:	24x36
SLAB PENETRATION PLAN	
SHEET:	FS-8-0

***FOR APPROVAL ONLY**

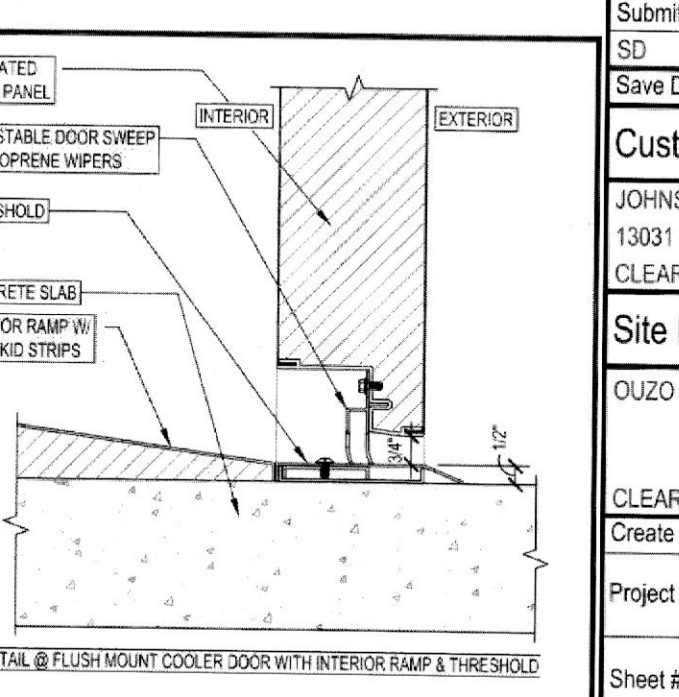
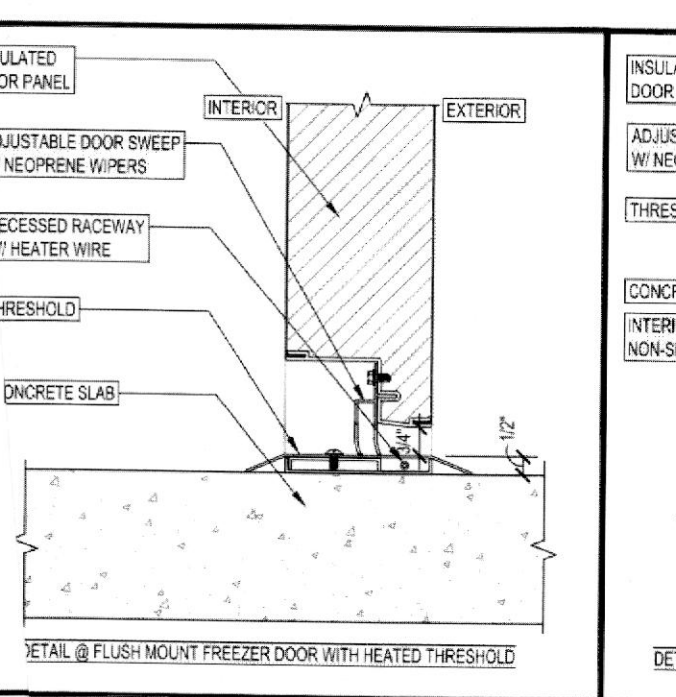
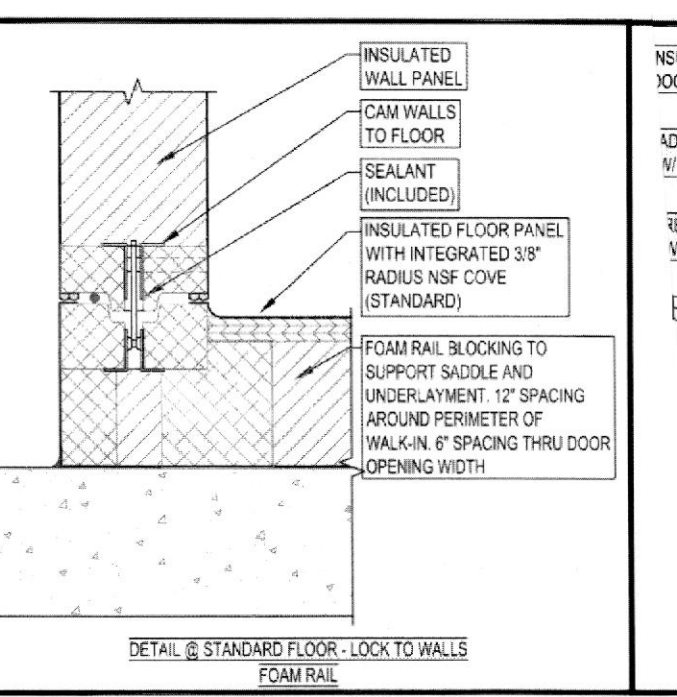
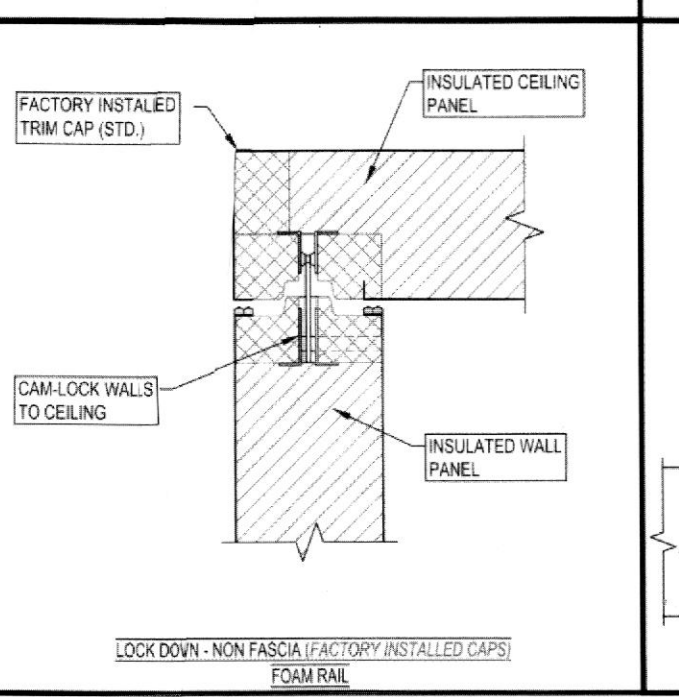
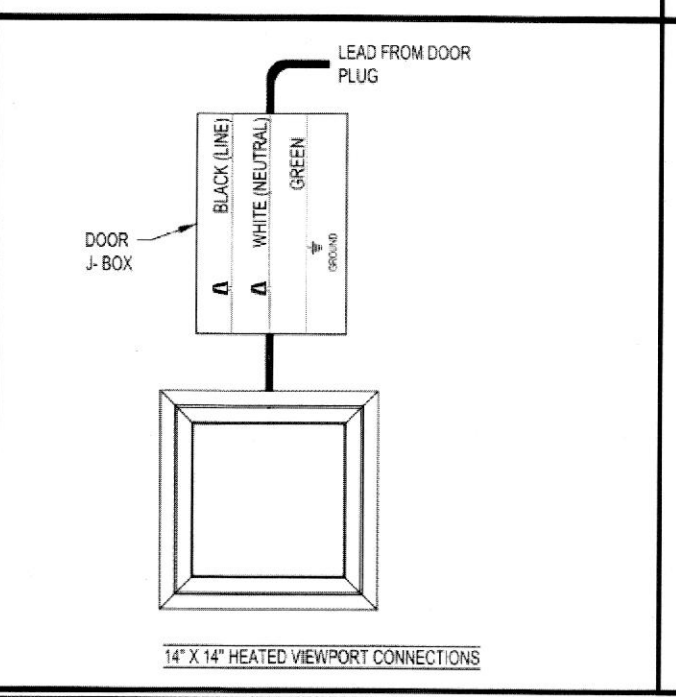
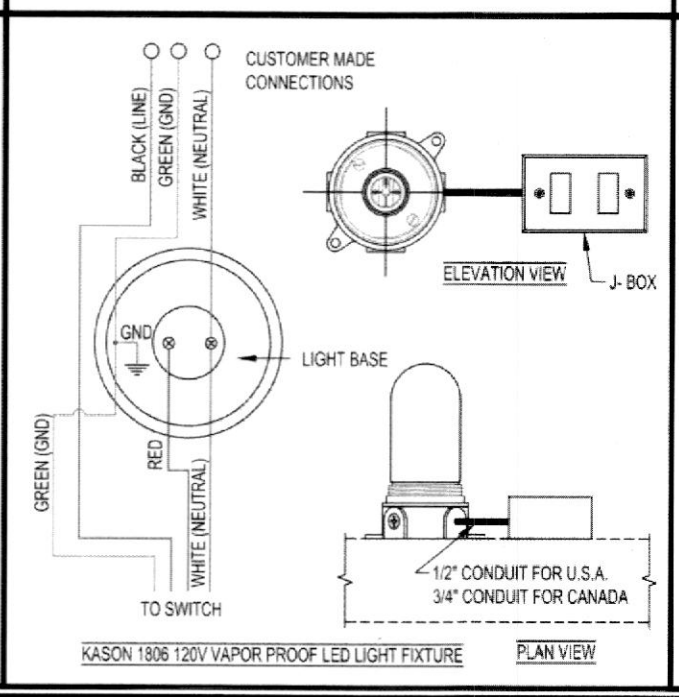
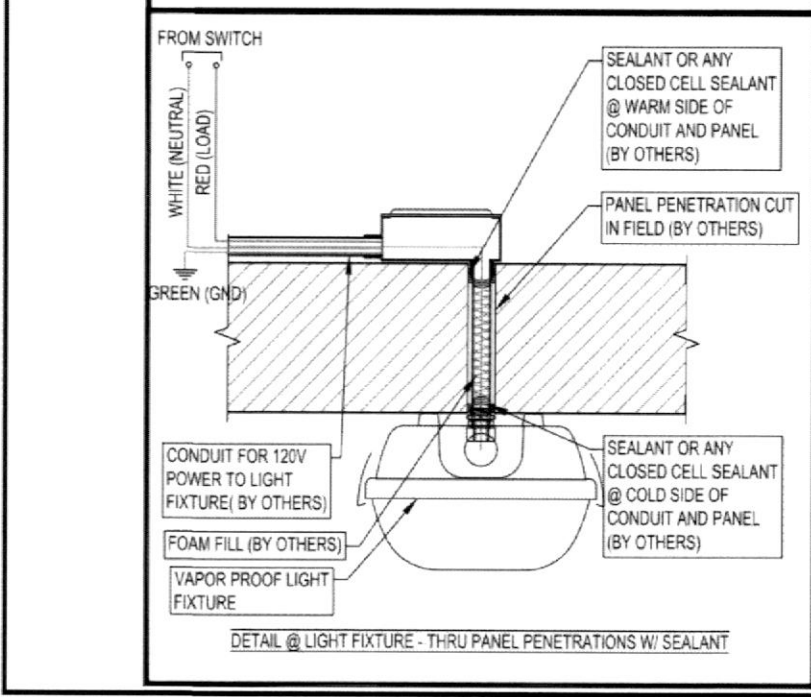
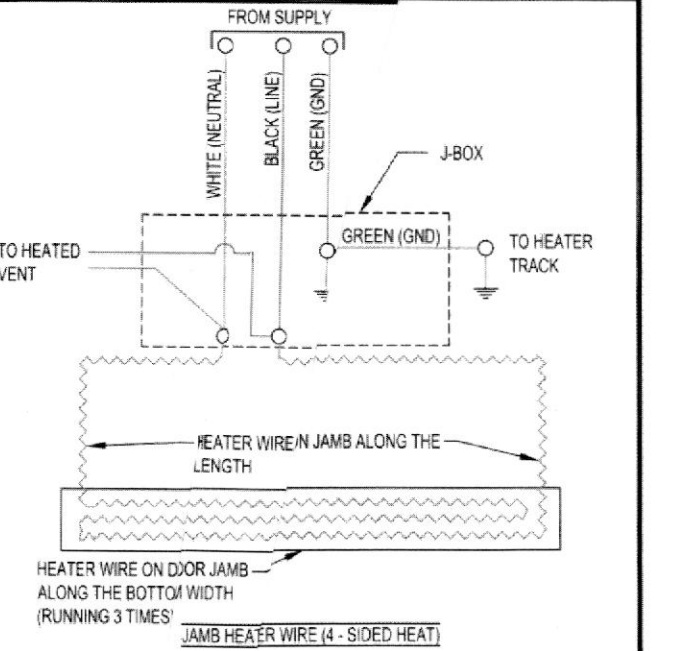
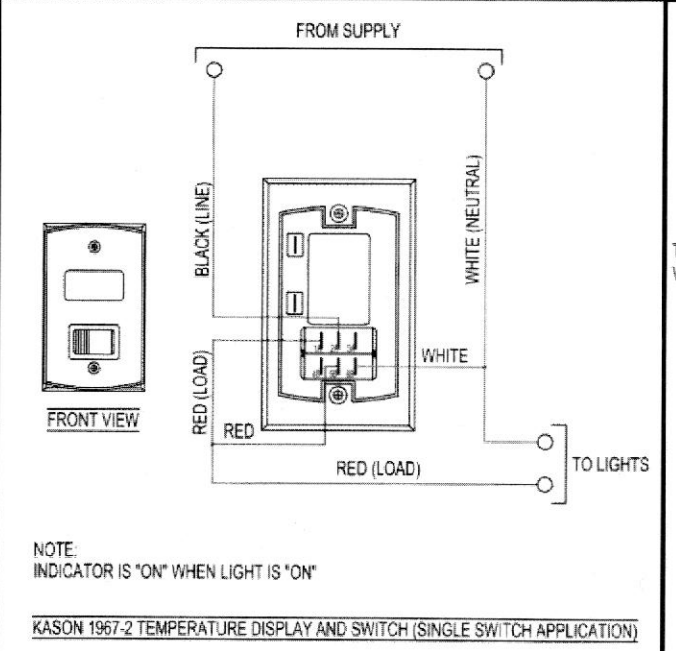
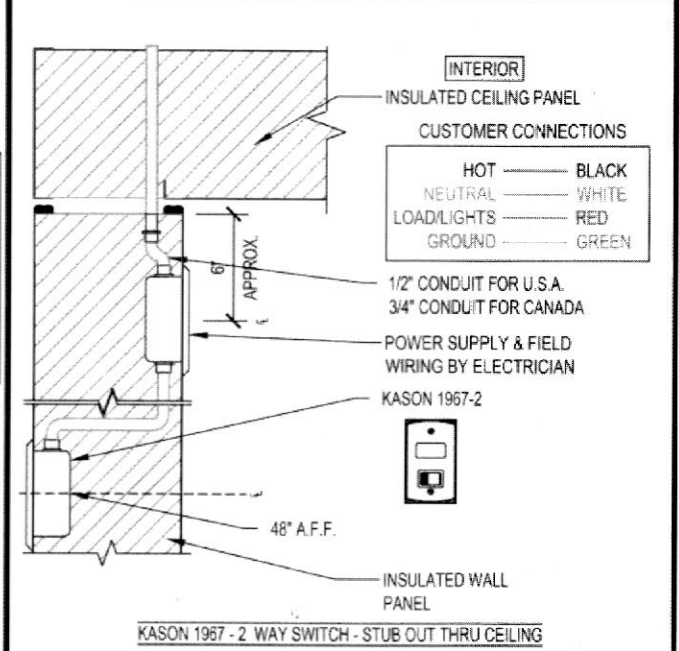
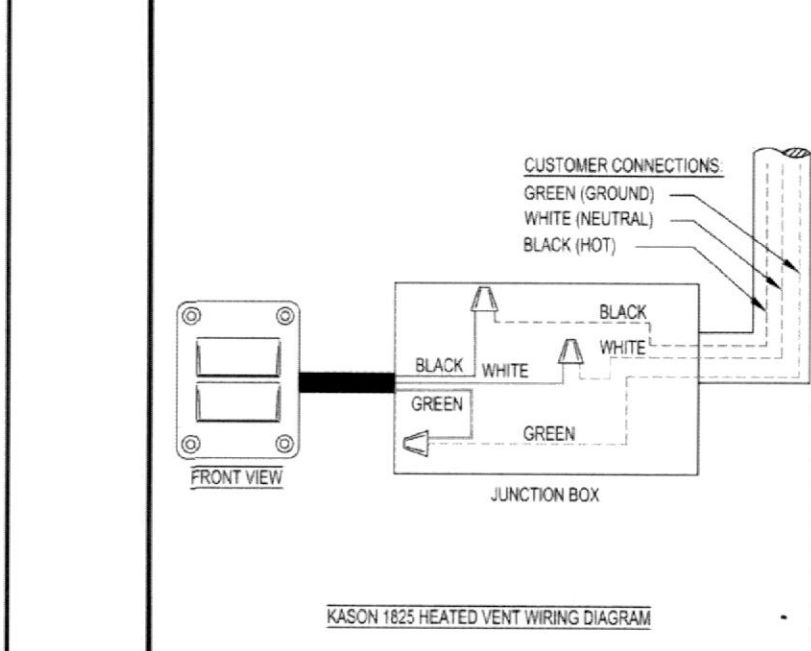
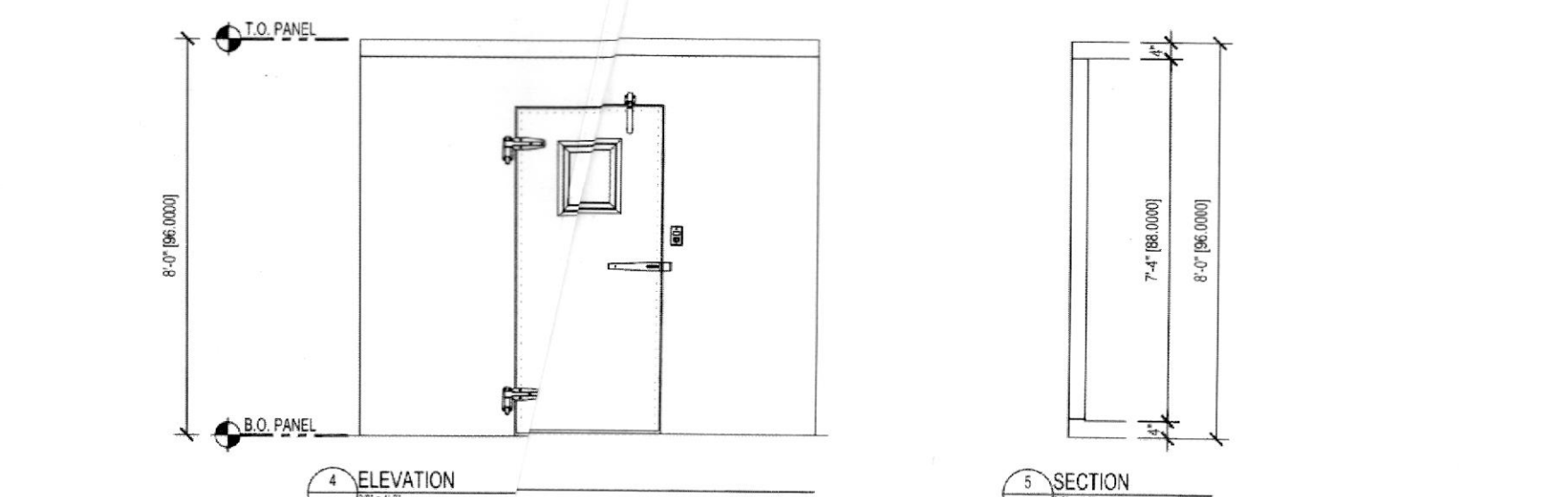
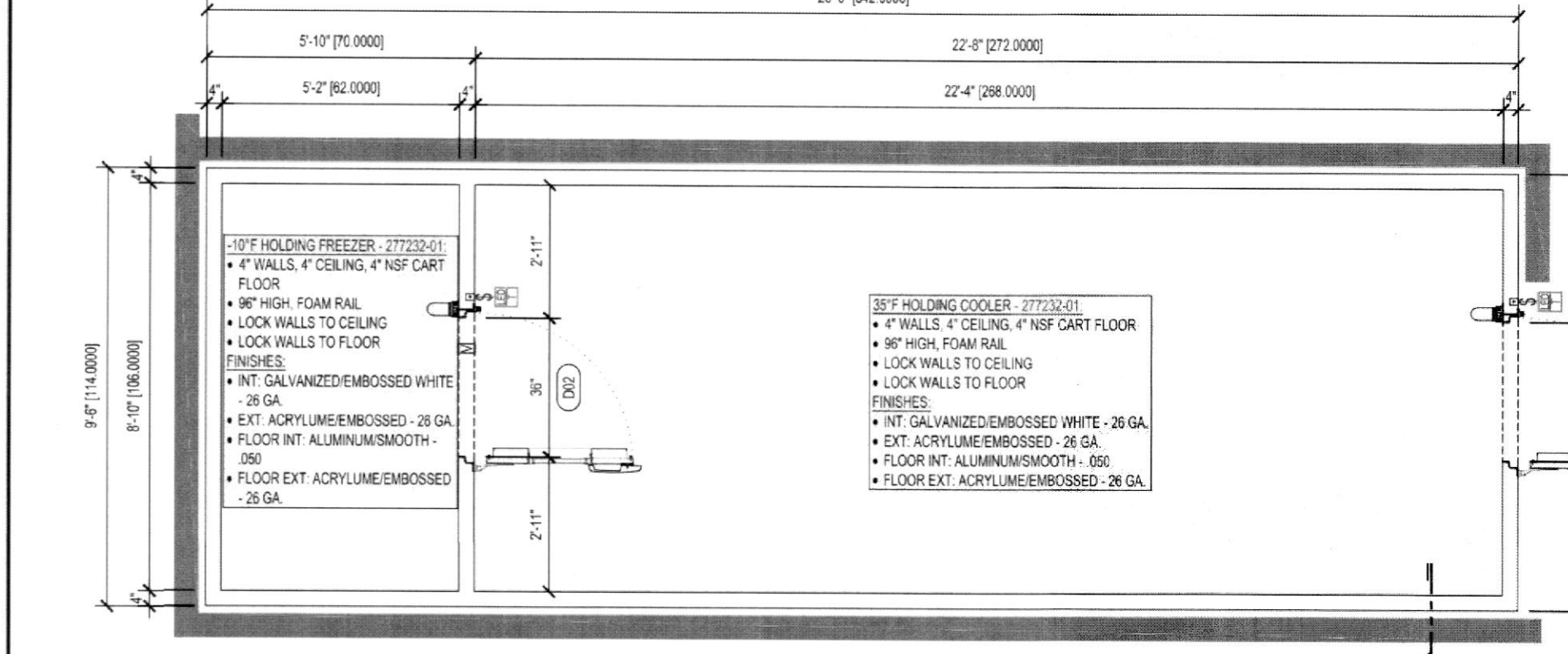
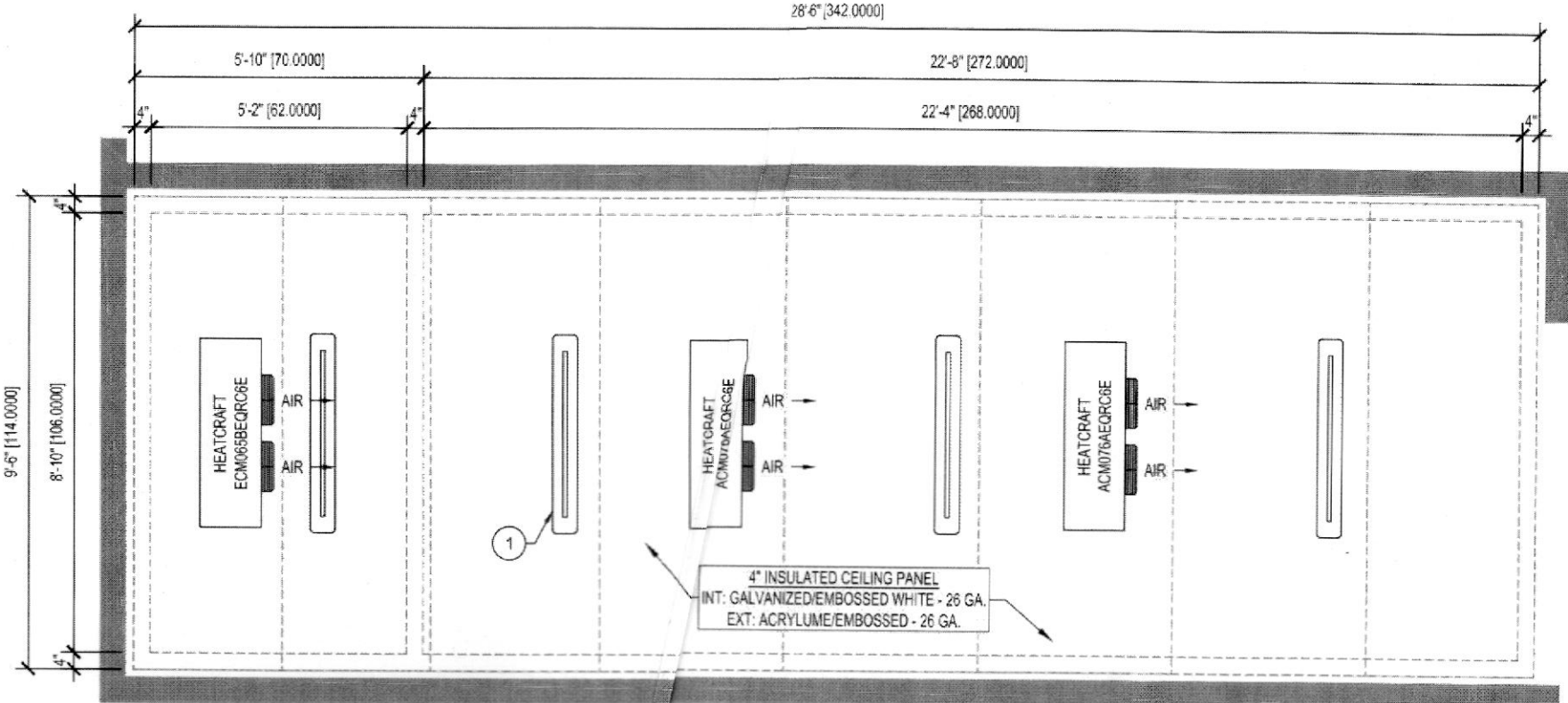
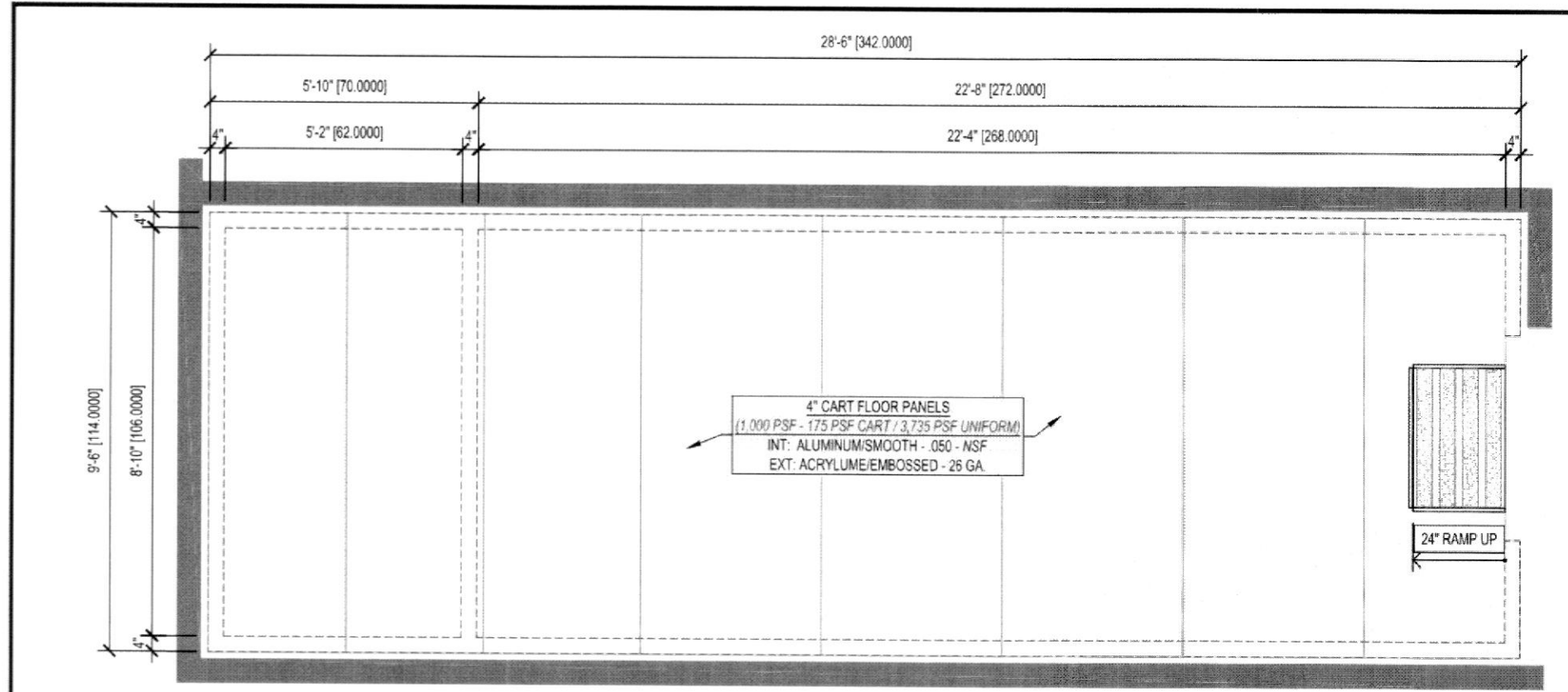
GENERAL NOTES
1. (R) CALK - SILICONE (GREY) (1.863)
2. (R) CALK - BUTYL (TUBES)
3. (R) CALK - SILICONE WHITE (TUBES)
4. (R) LOCK WALL PANELS TO CEILING PANELS (FACTORY CEILING CAPS - STANDARD)
5. (R) LOCK WALL PANELS TO FLOOR PANELS

KEY NOTES
1. (L) LIGHT (120V) LED (30) WATT VAPOR-PROOF FIXTURE (4) - (BULBS INCLUDED IN PRICE)

DOOR SCHEDULE	
D01: 36" W x 78" H - COOLER DOOR	D02: 36" W x 78" H - FREEZER DOOR
<ul style="list-style-type: none"> FLUSH MOUNT DOOR CLOSER: KASON 1094 VIEWPORT: 14" x 14" (4) HEATED RAINWATER INTERIOR TEMP: 1967-2 LIGHT SWITCH / LED DISPLAY (NARROW JAMB) TRIPRE-WIRE LATCH: KASON 27C HINGE: KASON 124B (SPRING ASSISTED) LIGHT: 1806 LED (120V) FIXTURE (INTO TO JAMB) AND OPTIC GLOBE (SHIP LOOSE) MAGNETIC GASKET 	<ul style="list-style-type: none"> FLUSH MOUNT DOOR CLOSER: KASON 1094 VIEWPORT: 14" x 14" (120V HEATED) PRESSURE RELIEF VENT: KASON 1925 (115V HEATED) SWITCH: TEMP 1967-2 LIGHT SWITCH / LED DISPLAY (TRIPRE-WIRE) LATCH: KASON 27C HINGE: KASON 124B (SPRING ASSISTED) HEATED JAMB (4 SIDED) IN THRESHOLD LIGHT: 1806 LED (120V) FIXTURE (INTO TO JAMB) AND OPTIC GLOBE (SHIP LOOSE) MAGNETIC GASKET

REFRIGERATION
CONDENSING UNIT FOR HOLDING FREEZER
CONDENSING UNIT FOR HOLDING COOLER
INSULATION (STANDARD)
ELECTRICAL NOTICE

ELECTRICAL INFORMATION			
ITEM DESCRIPTION	QTY.	VOLTAGE (V) (EA)	AMPS (A) (EA)
KASON 1825 NARROW JAMB PRESSURE RELIEF PORT (D02)	1	115	0.04
LIGHT-LED VAPOR PROOF FIXTURE (4) (1/8" LG, 4000 LED FIXTURE)	4	120	0.33
KASON 1806 LED FIXTURE	2	120	0.09
VIEWPORT (14" X 14") HEATED (D02)	1	120	0.59
KASON 1967-2 TEMPERATURE DISPLAY AND SWITCH	2	120	20.00
DOOR: 36" X 78" (4-SIDED HEAT)	1	120	0.94



1 WALK-IN & REFRIGERATION DETAILS