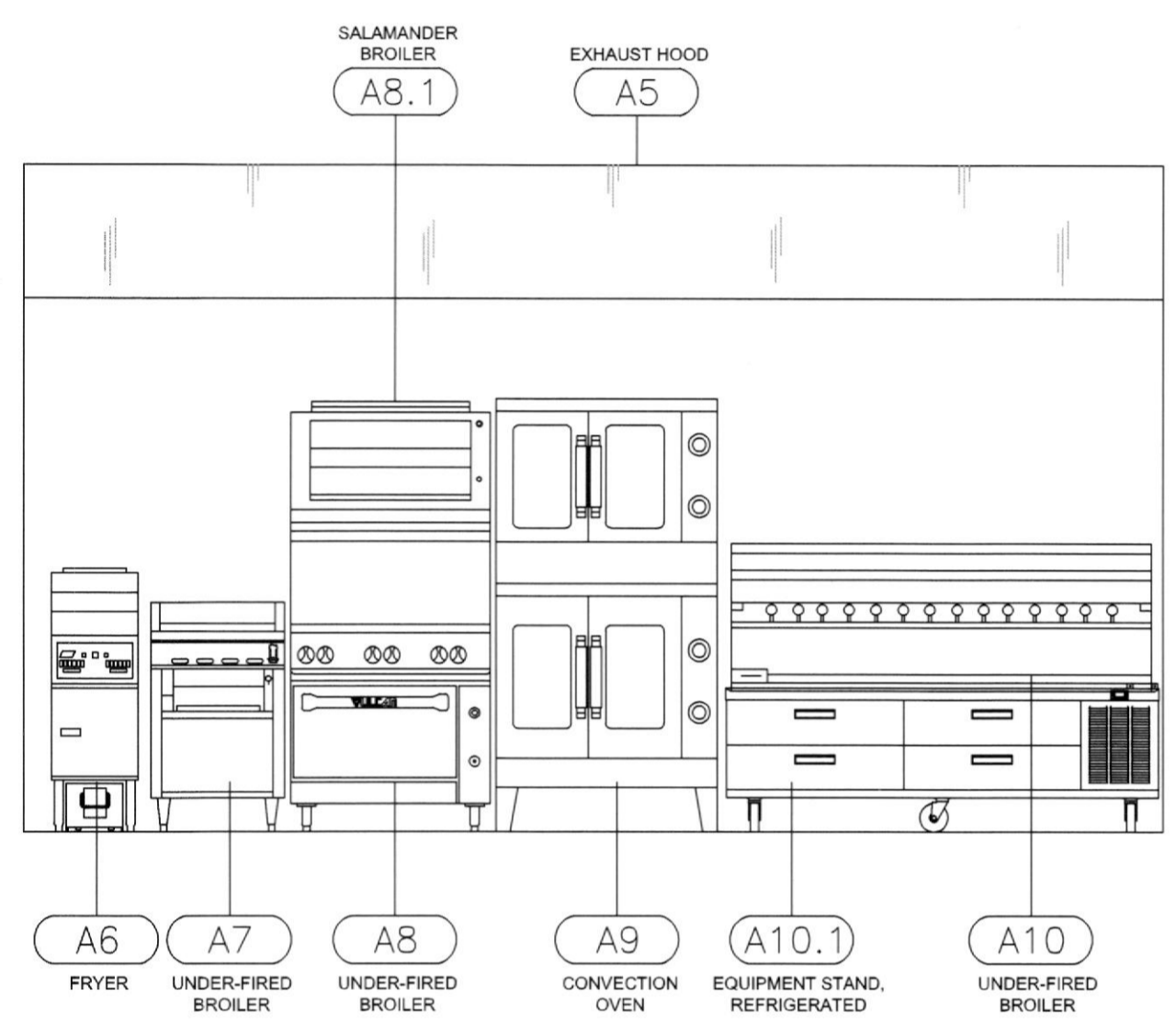


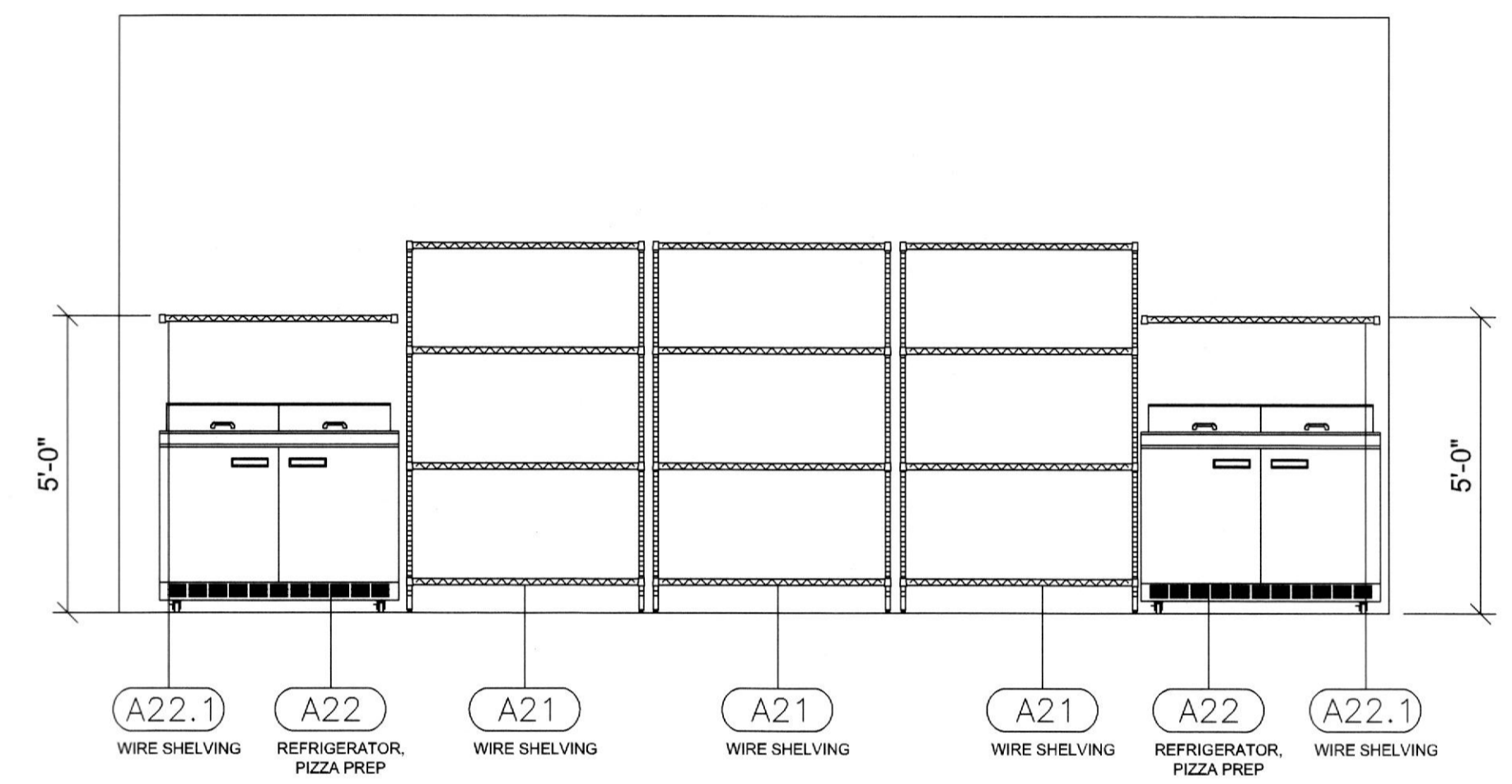
18076069

REVIEWED FOR COMPLIANCE

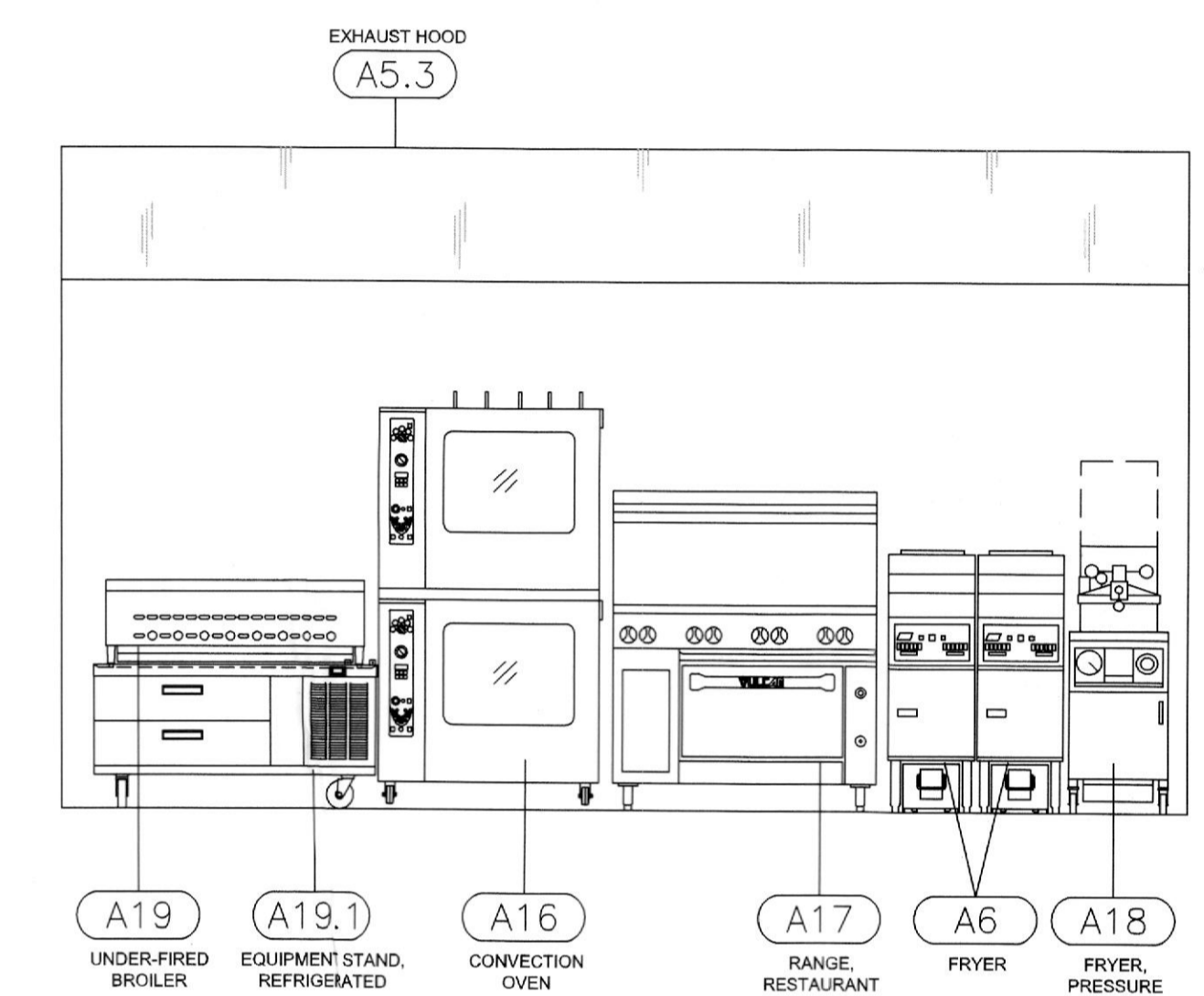
Performance of this review does not relieve the applicant from full responsibility to comply with all applicable codes, ordinances and regulations 10/29/18



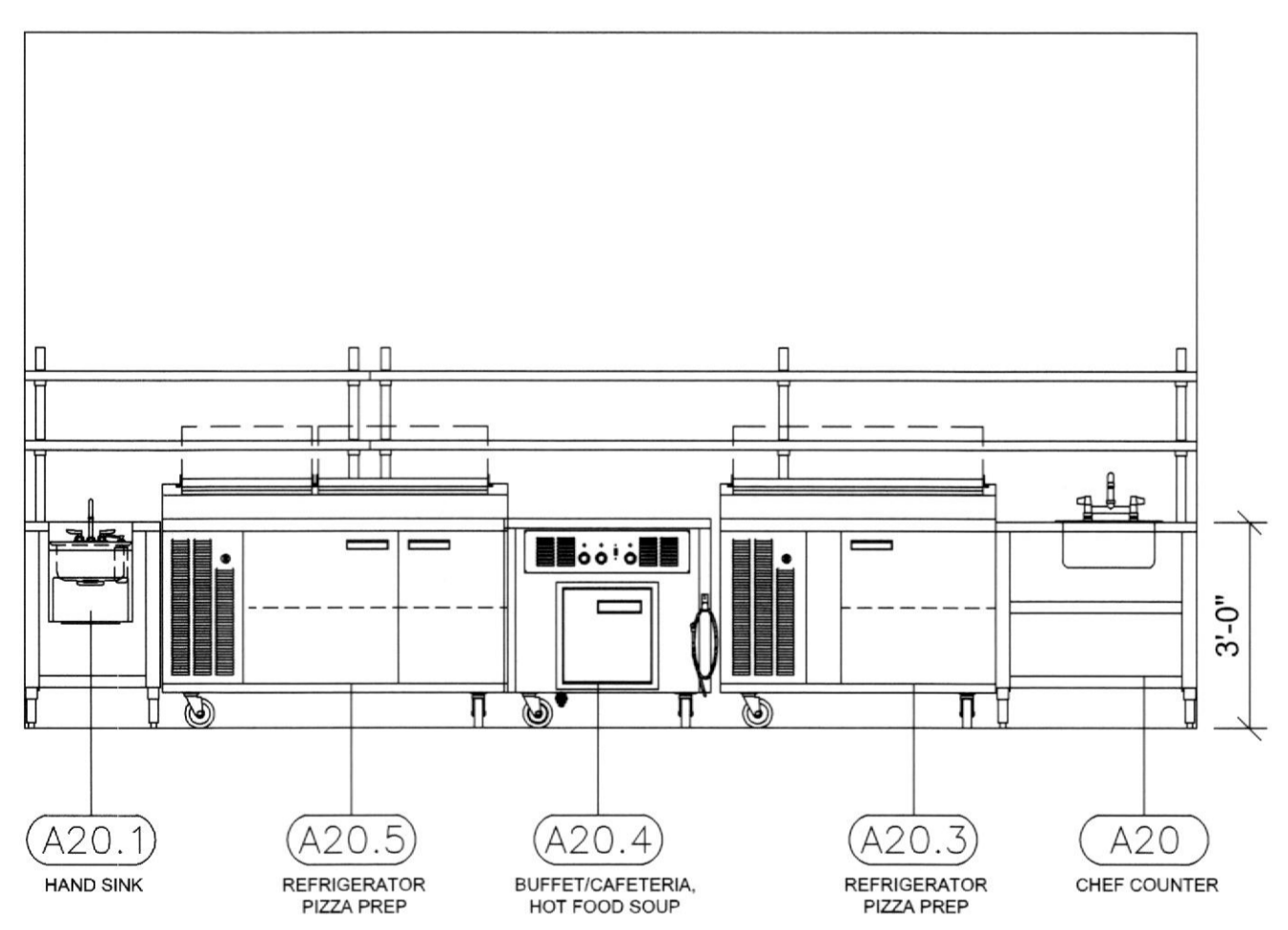
7 COOKLINE
 SCALE: 3/8" = 1'-0"



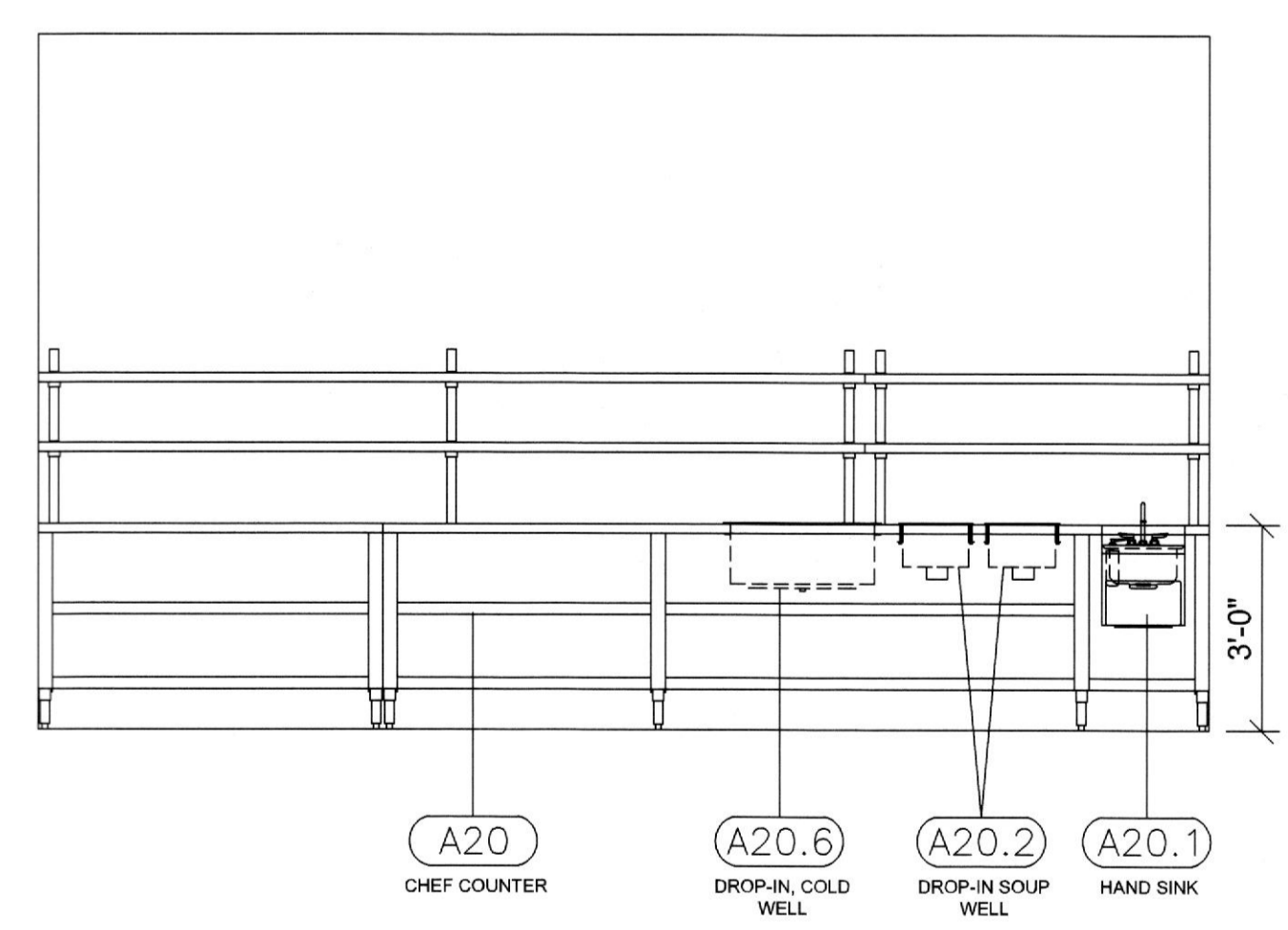
8 PREP/SUPPORT
 SCALE: 3/8" = 1'-0"



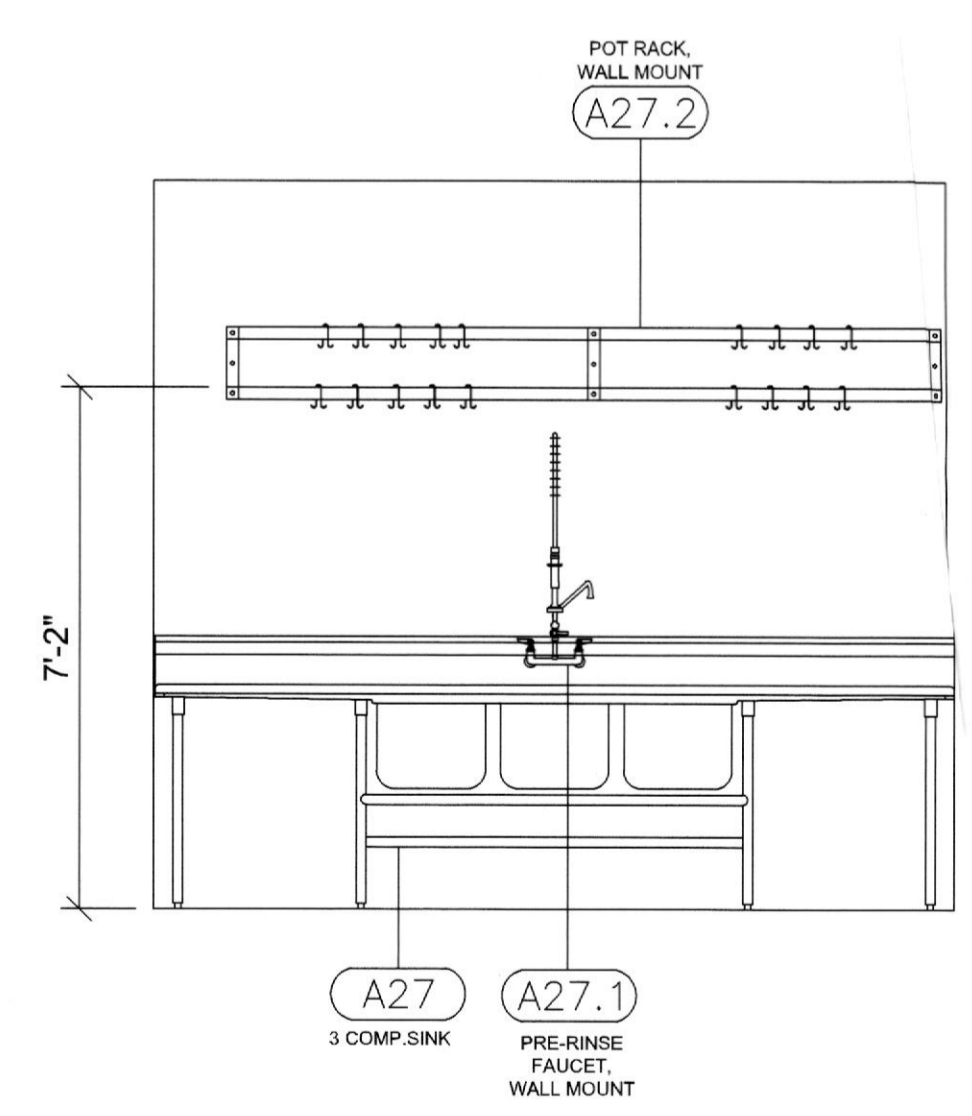
9 COOKLINE
 SCALE: 3/8" = 1'-0"



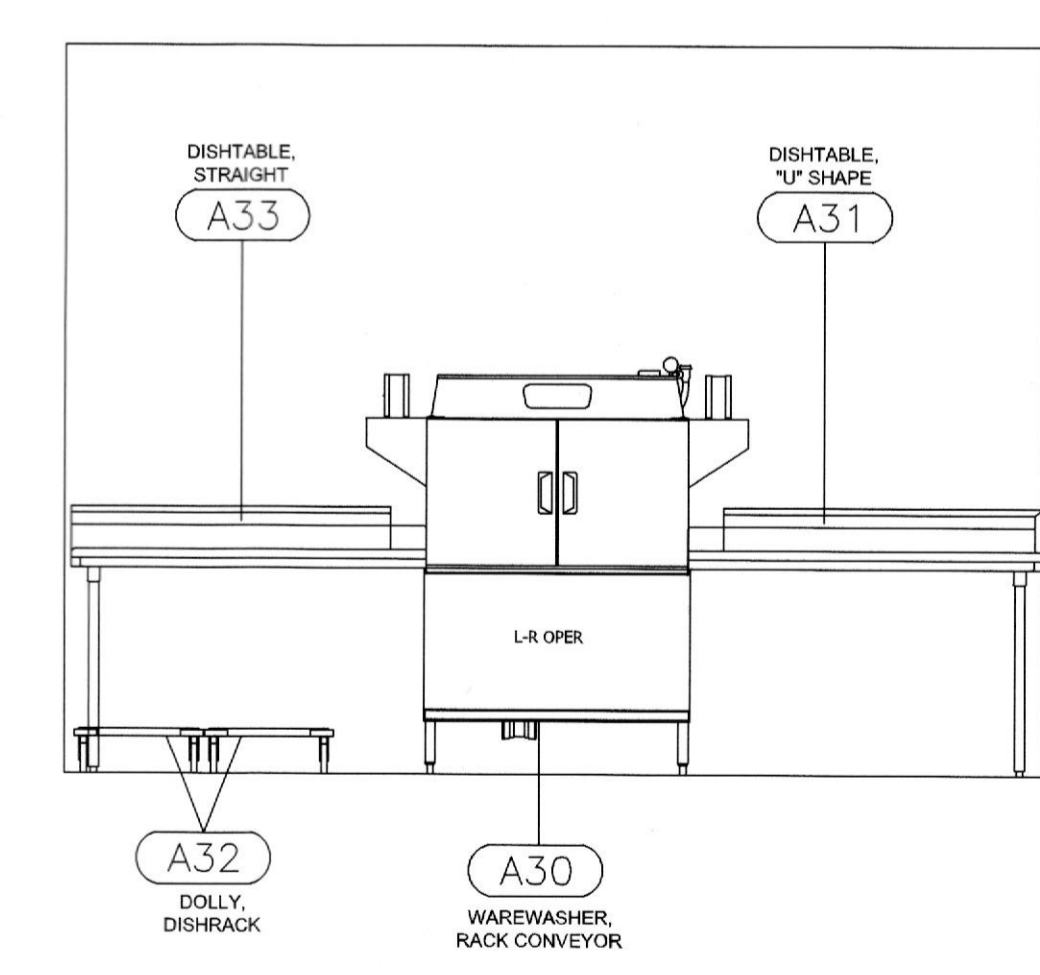
10 CHEF COUNTER
 SCALE: 3/8" = 1'-0"



11 CHEF COUNTER - EXPO SIDE
 SCALE: 3/8" = 1'-0"



12 THREE COMPARTMENT SINK
 SCALE: 3/8" = 1'-0"



13 DISH AREA
 SCALE: NTS

REVISIONS	
NUMBER	DESCRIPTION
1	10/19/18 PER HEALTH DEPARTMENT COMMENTS
2	10/24/18 PER HEALTH DEPARTMENT COMMENTS

PROJECT TITLE:
OZO RESTAURANT & LOCH BAR
 HOUSTON, TEXAS

DATE:	06/28/2017
SCALE:	1/4" = 1'-0"
DRAWN BY:	JR
DESIGNED BY:	JR
PAPER SIZE:	24x36
ELEVATIONS	
SHEET:	FS-9.1