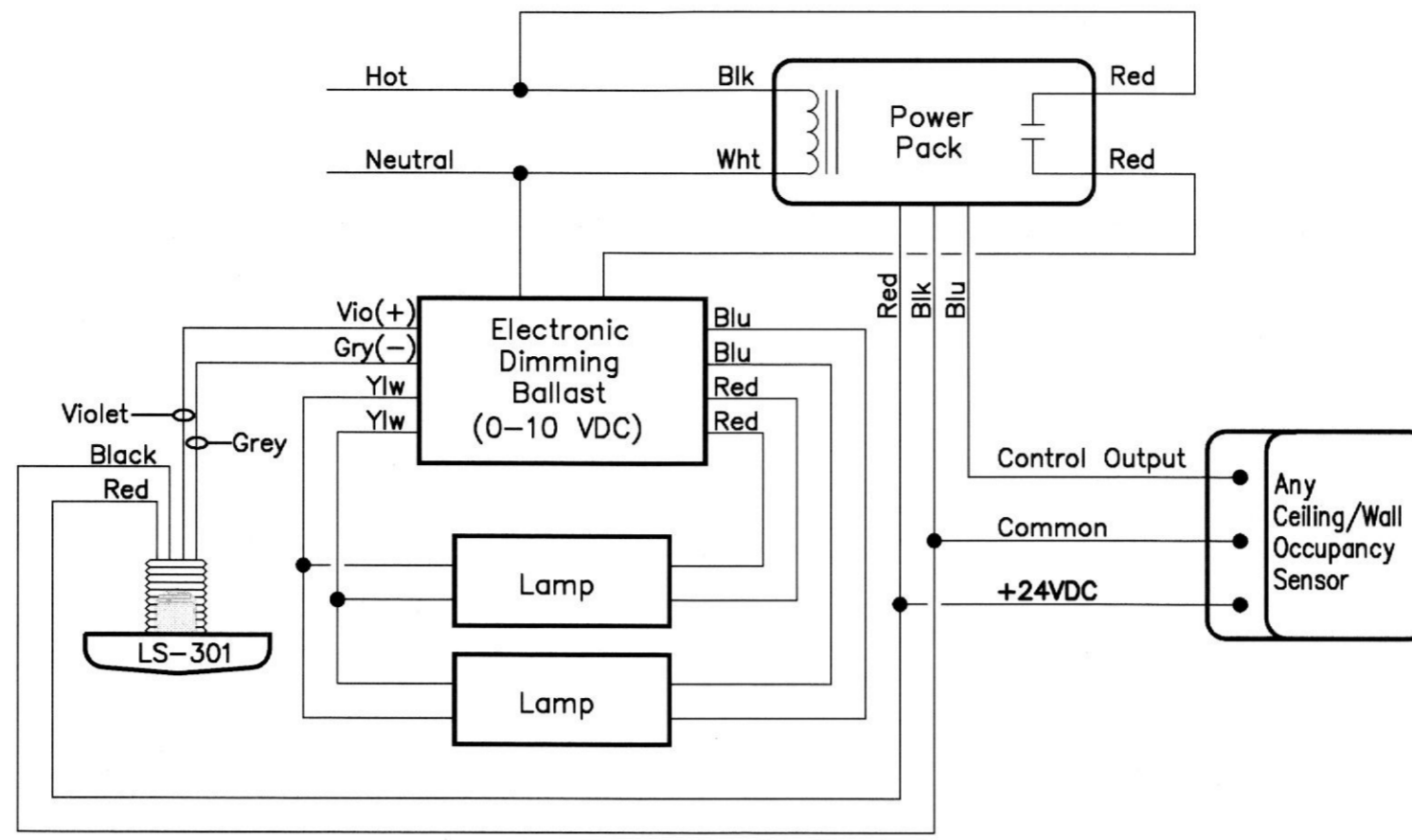


GROUNDING DETAIL
NO SCALE

- NOTES**
1. FULL SIZE GROUND MEANS THAT GROUND CONDUCTOR SIZE SHALL BE AS SHOWN ON SERVICE EQUIPMENT ON THE POWER RISER DIAGRAM.
 2. AFTER GROUNDING SYSTEM IS INSTALLED, GROUND RESISTANCE SHALL BE MEASURED, TO ASSURE THAT GROUND VALUE OF 10 OHM MAXIMUM RESISTANCE IS ACHIEVED. IF NOT, ADDITIONAL GROUNDING SHALL BE PROVIDED TO MEET THE SPECIFIED VALUE.
 3. ALL CONNECTIONS TO GROUND RODS SHALL BE EXOTHERMIC WELD CONNECTIONS.
 4. GROUND CONDUCTOR SHALL BE LOCATED WITHIN OR NEAR BOTTOM OF CONCRETE FOUNDATION OR FOOTING THAT IS IN DIRECT CONTACT WITH THE EARTH, AND SHALL CONSIST OF AT LEAST 20 FEET OF ONE OR MORE STEEL REINFORCING BARS OR RODS OF NOT LESS THAN 1/2 INCH DIAMETER, OR OF AT LEAST 20 FEET OF BARE COPPER CONDUCTOR. CONNECTION OF GROUNDING CONDUCTOR TO MAIN SERVICE PIPES SHALL BE NO MORE THAN 5'-0" FROM THE POINT OF ENTRANCE TO THE BUILDING.

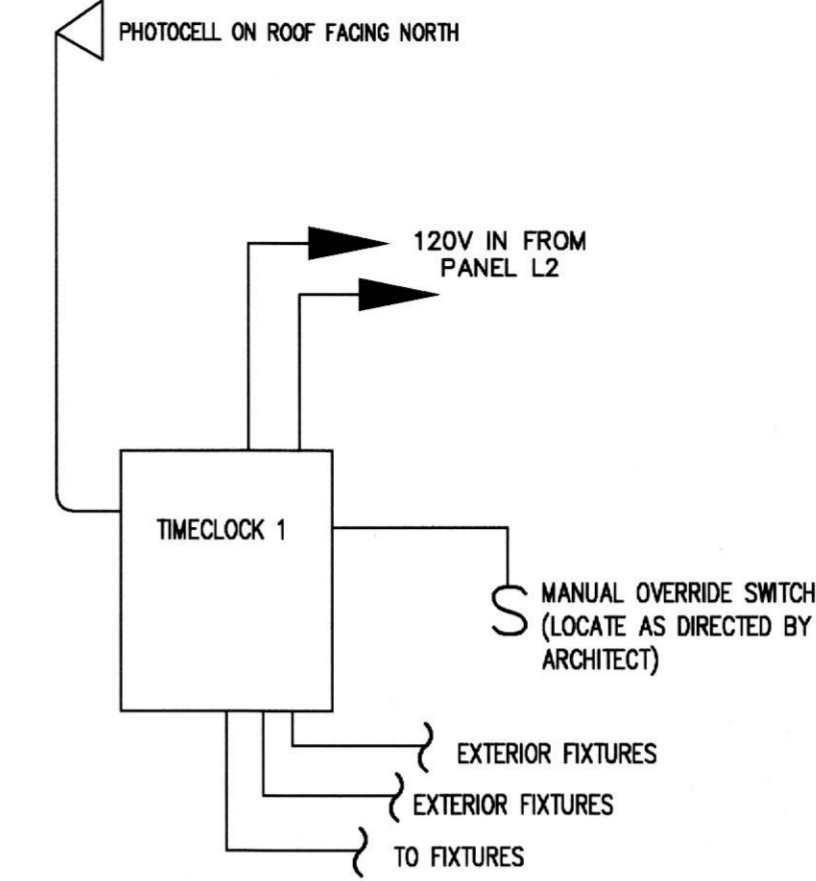
Wiring with Occupancy Sensor



OPERATION:
OCCUPANCY SENSOR SWITCHES LIGHTS ON/OFF, WHEN OCCUPIED, THE LS-301 DIMS THE LIGHTS AS DAYLIGHT INCREASES.

WATTSTOPPER LS-301 Wiring Schematic

DAYLIGHT WIRING USING PHOTO SENSOR + OCCUPANCY SENSOR



2 EXTERIOR LIGHT CONNECTION DETAIL
SCALE: NONE

City of Houston Texas

18076069

REVIEWED FOR COMPLIANCE

Performance of this review does not relieve the applicant from full responsibility to comply with all applicable codes, ordinances and C.M.C.P.U. regulations.

10/29/18

P.O.S. STATION ONLY

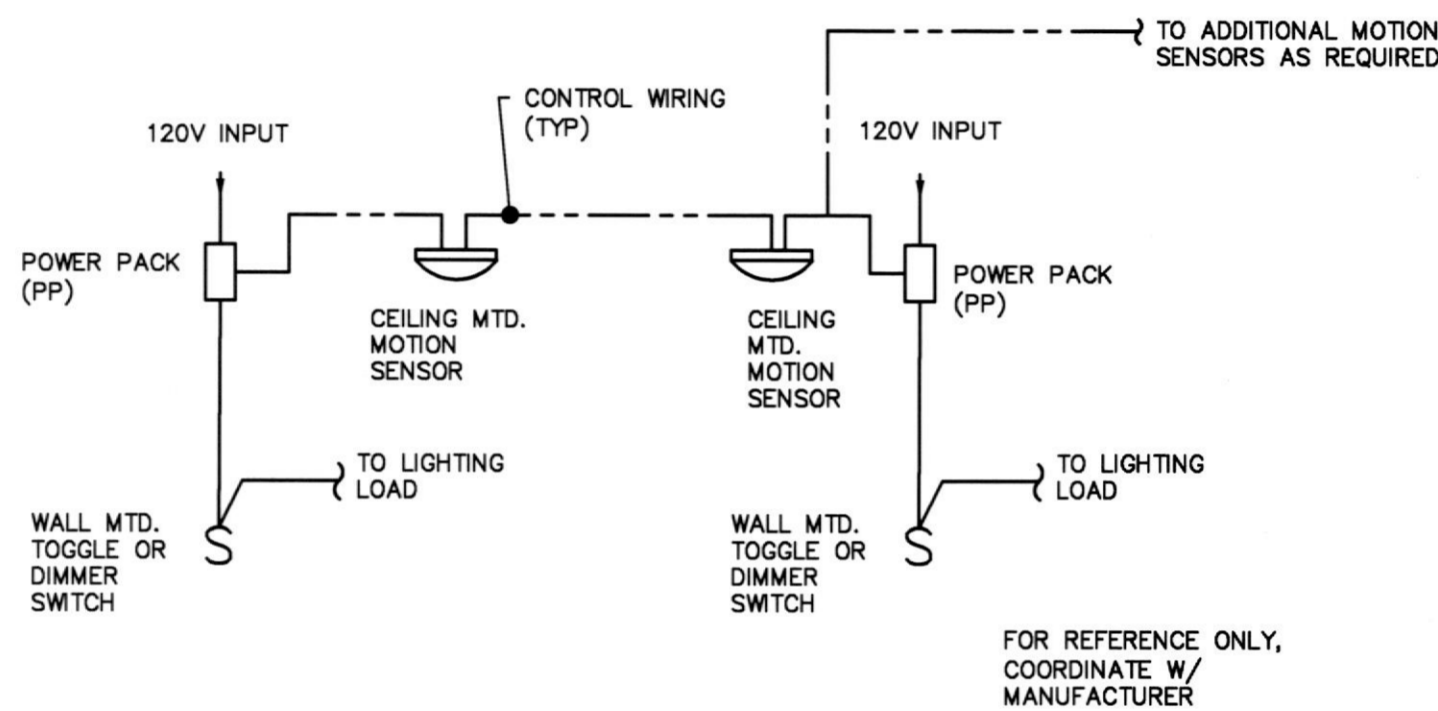
FULL P.O.S. STATION

(A) ISOLATED GROUND RECEPTACLE HUBBELL #1G 5261-ORANGE.

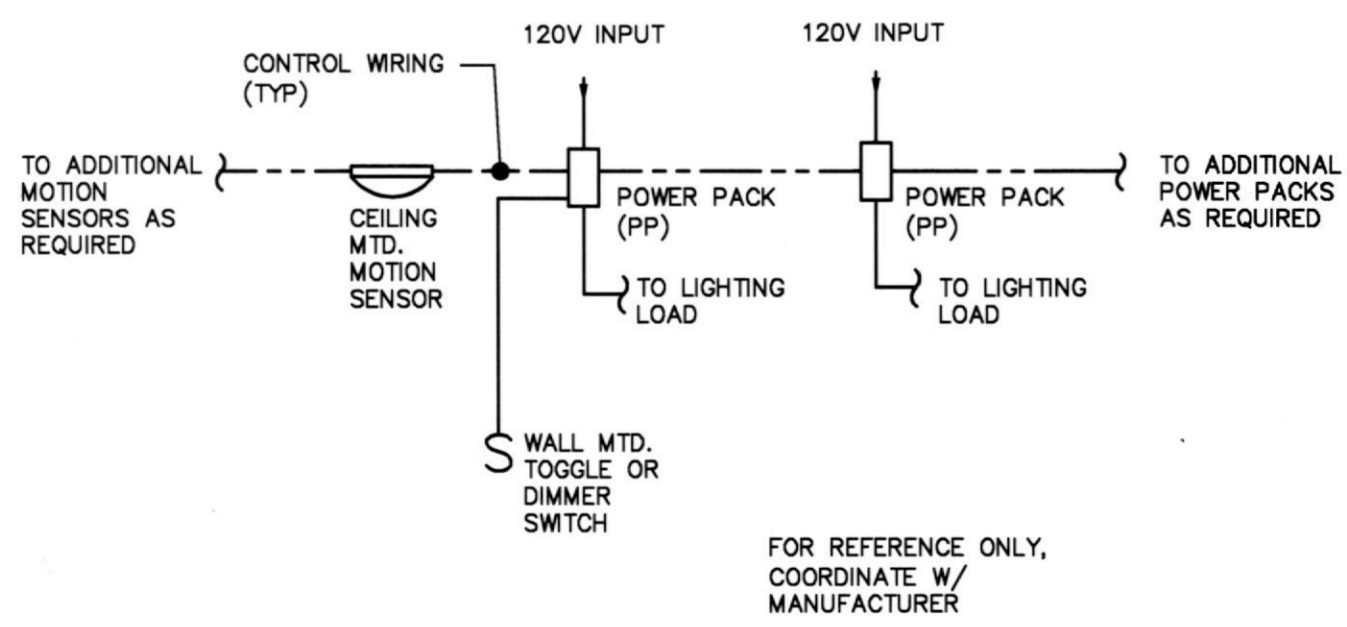
(B) DUPLEX RECEPTACLE.

(C) DATA J-BOX FOR PULLING P.O.S. CABLE SYSTEM WITH 1" EMPTY CONDUIT TO OFFICE

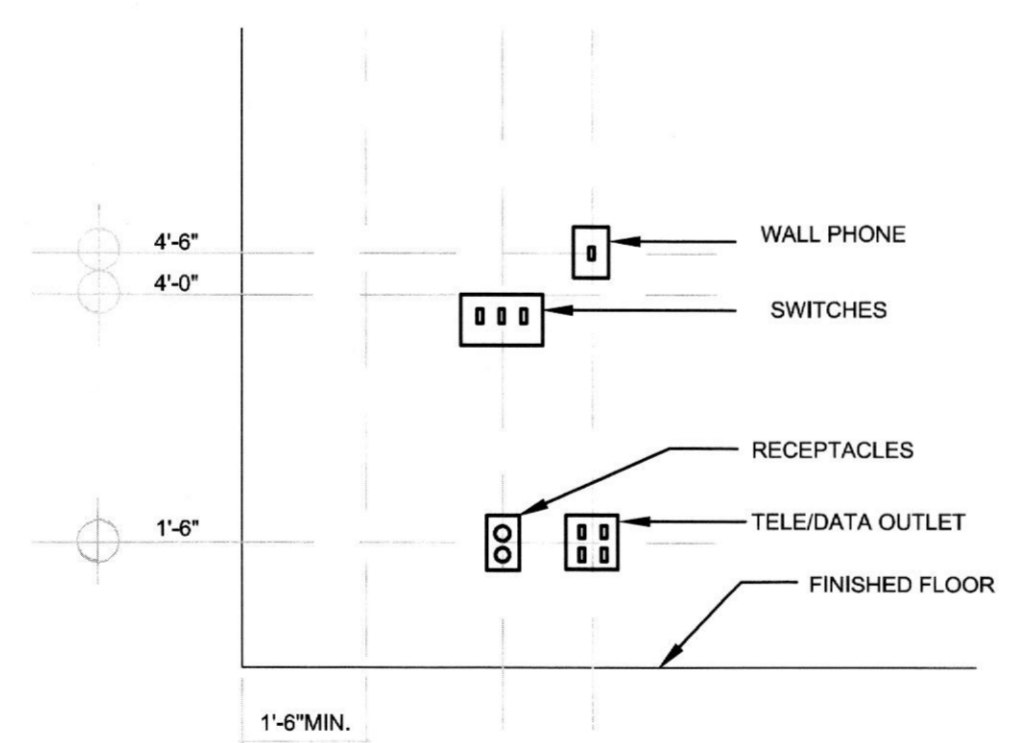
P.O.S. SYSTEM SCHEMATIC
COORDINATE WITH SYSTEM SUPPLIER



4 MOTION SENSOR WIRING DETAIL
SCALE: NONE



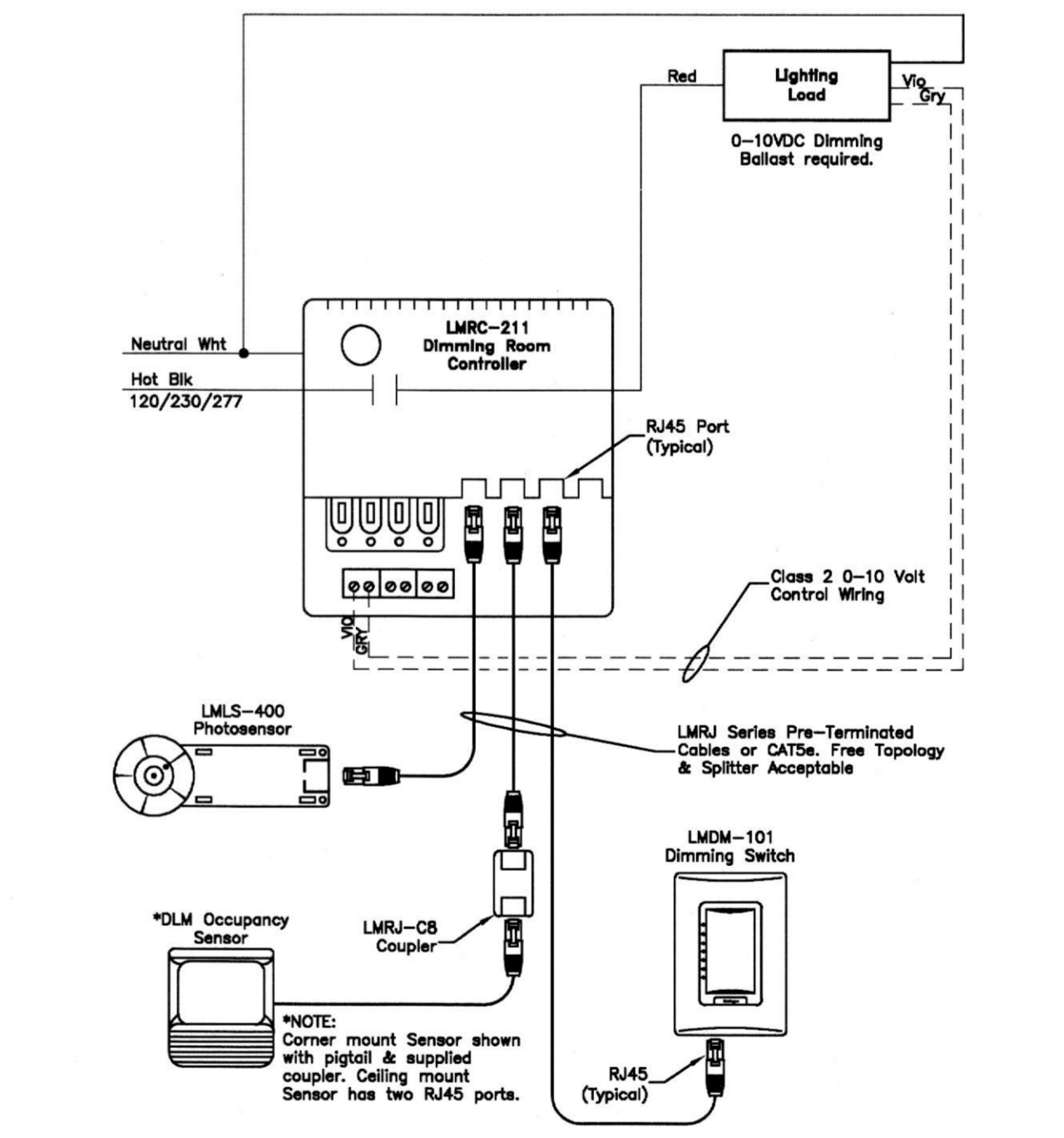
3 MULTI CIRCUIT MOTION SENSOR WIRING DETAIL
SCALE: NONE



1. ALL DEVICES INSTALLED AS SHOWN U.O.N.
2. ALL MOUNTING HEIGHTS SHALL BE MEASURED FROM CENTERLINE OF DEVICE TO FINISHED FLOOR.
3. DEVICES SHALL BE INSTALLED ON A COMMON VERTICAL CENTERLINE WHEREVER POSSIBLE.

DEVICE MOUNTING DETAIL
NOT TO SCALE (TYP. ALL OUTLETS UNLESS OTHERWISE NOTED.)

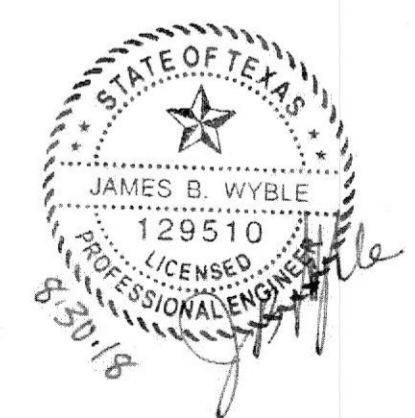
DAYLIGHTING - PROVIDE CEILING MOUNTED DAYLIGHT SENSORS (LS) AND CONNECT TO LIGHTS IN DAYLIGHTING ZONES (15' INTO SPACE FROM WINDOWS) AS PER VECC 505. DAYLIGHT SENSOR TO REDUCE LIGHTING BASED ON AVAILABLE DAYLIGHT. OCCUPANCY SENSOR TO MAINTAIN AUTOMATIC SHUTOFF CONTROL OF ALL LIGHTS - SEE DETAIL, THIS SHEET.



DEVICES ARE PRESET FOR PLUG N' GO™ OPERATION. ADJUSTMENT IS OPTIONAL.

Sequence of Operation: The LMLS-400 monitors the ambient light in the controlled space and works with the room controller(s) to maintain the design light level. Wattstopper's exclusive control algorithm uses on/off or dimming setpoints and other control parameters to establish the correct light levels throughout the day regardless of changing daylight contribution. For full operational details, adjustments and more features of the product, see the DLM System Installation Guide at www.wattstopper.com

1 DAYLIGHT SENSOR WIRING DETAIL
SCALE: NONE



ARCHITECT
HapstakDemetriou +
ARCHITECTURE | DESIGN
2715 M STREET NW, 4th Floor
WASHINGTON, DC 20007
202.333.9038
www.hd-ad.com info@hd-ad.com

CLIENT
Alexanader Smith
(410) 241-1224
afsmith11@gmail.com

STRUCTURAL ENGINEER
BEI Structural Engineers
3930 Pender Dr, Suite175
Fairfax, VA 22030

MEP ENGINEER
J.B. Wyble and Associates, P.A.
7950 Norfolk Ave., Bethesda, MD
301-654-1410

FOOD SERVICE CONSULTANT
JLA Corp
13031 US Highway 19N, Clearwater, FL 33764
727-470-7862

OUZO BAY/ LOCH BAR HOUSTON
4444 WESTHEIMER RD, HOUSTON, TX 77027

PROJECT NO. JBW17108

I CERTIFY THAT THESE DOCUMENTS WERE PREPARED OR APPROVED BY ME, AND THAT I AM A DULY LICENSED PROFESSIONAL ENGINEER UNDER THE LAWS OF THE STATE OF TEXAS.
P.E. LICENSE #: 129510, EXPIRATION DATE: DECEMBER 31, 2018
FIRM LICENSE #: F19615, EXPIRATION DATE: MARCH 31, 2019

REV	DATE	ISSUED FOR	REV	DATE	ISSUED FOR
05/16/2018	PROGRESS SET				
06/11/2018	PERMIT SET				
08/30/2018	PERMIT COMMENTS				

OUZO BAY/ LOCH BAR DETAILS

E.10