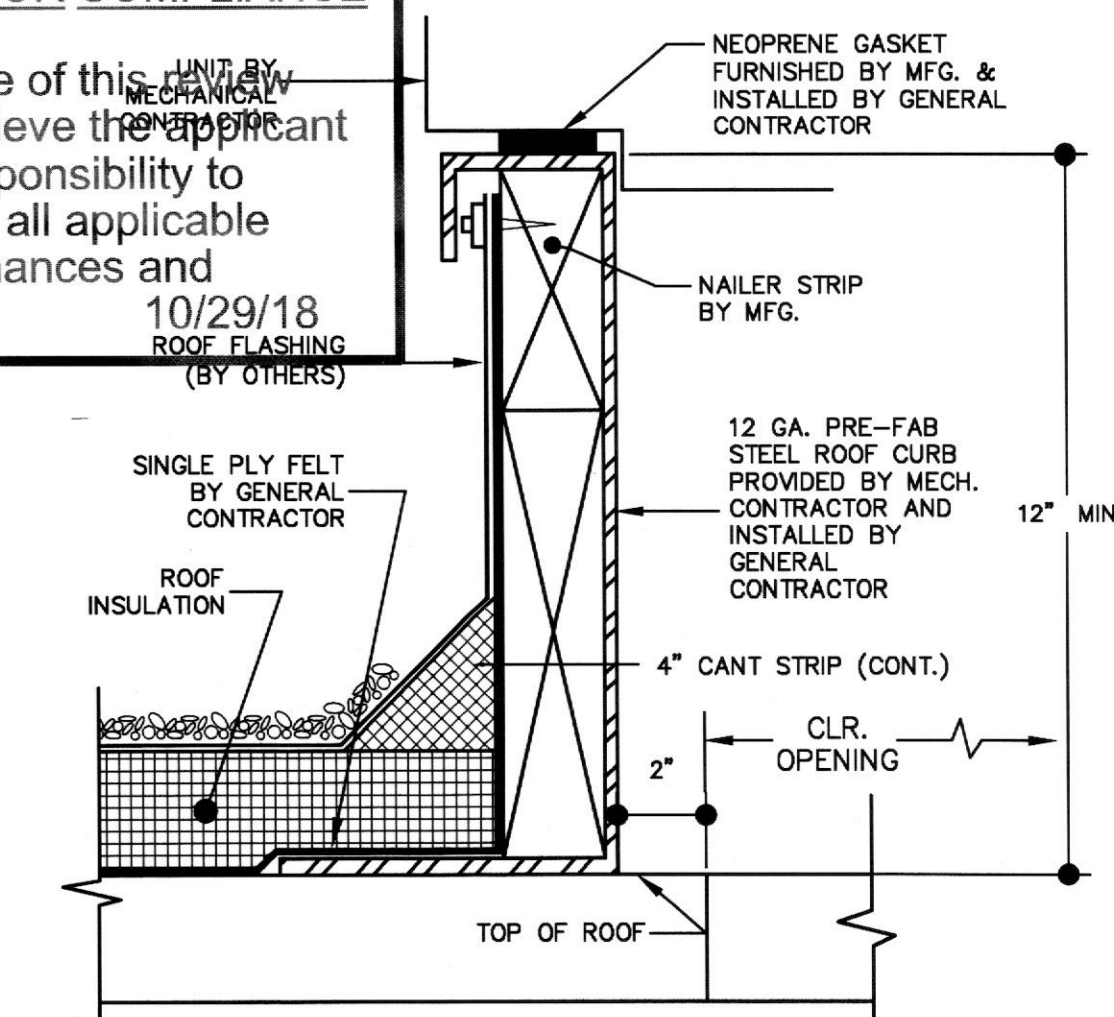


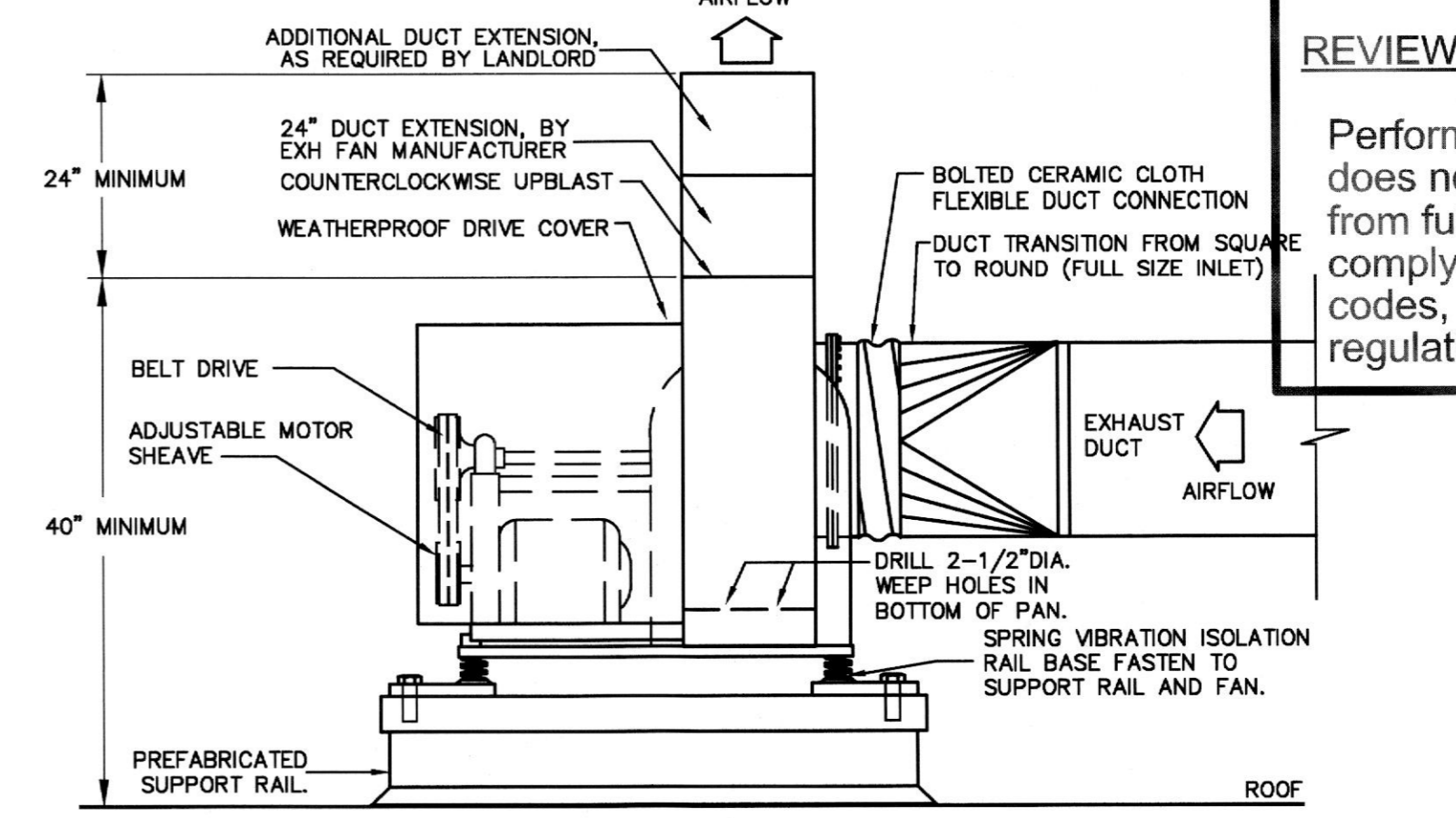


Performance of this review does not relieve the applicant from full responsibility to comply with all applicable codes, ordinances and regulations

10/29/18 (BY OTHERS)

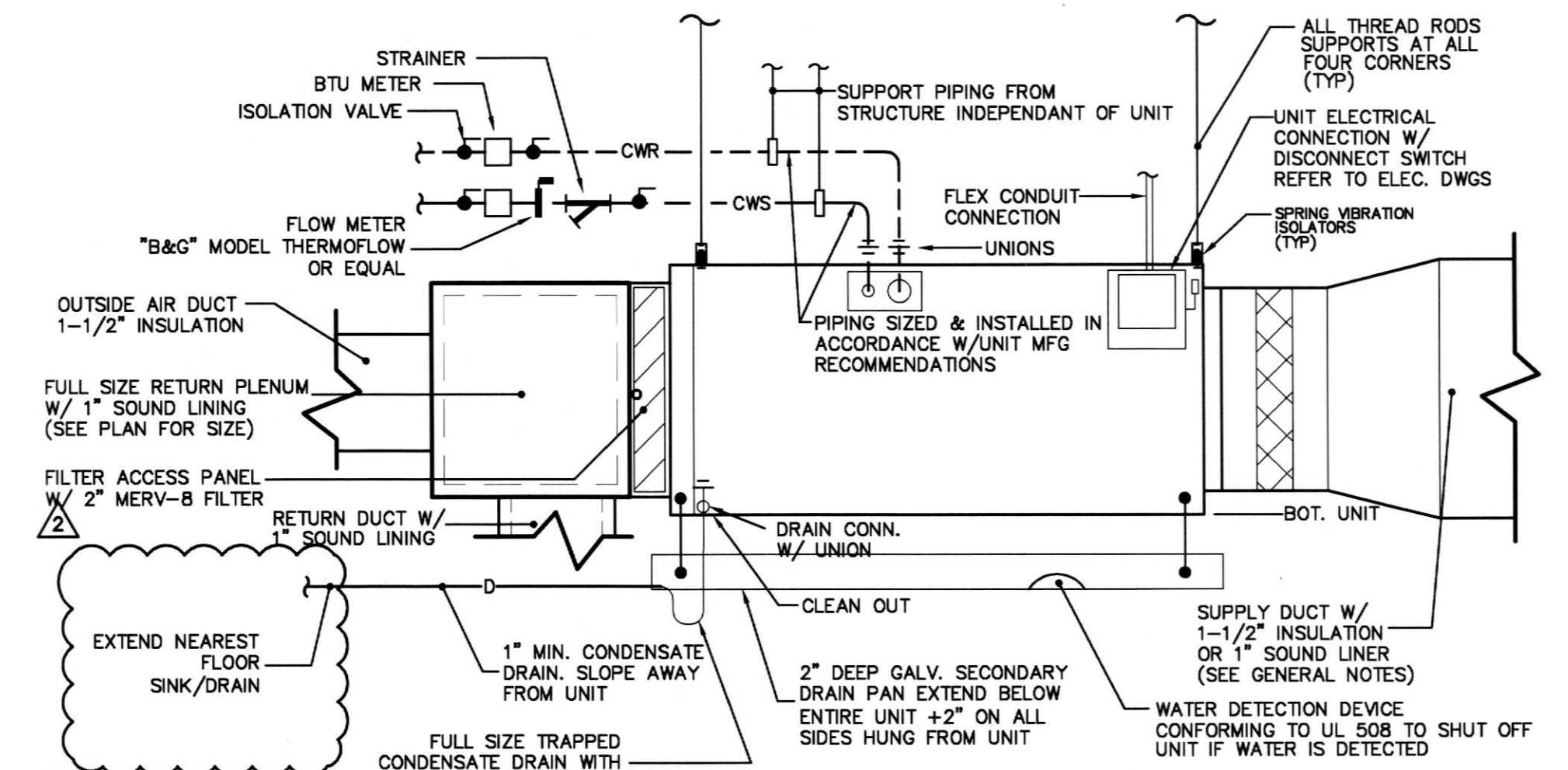


4 PREFAB ROOF CURB DETAIL NOT TO SCALE



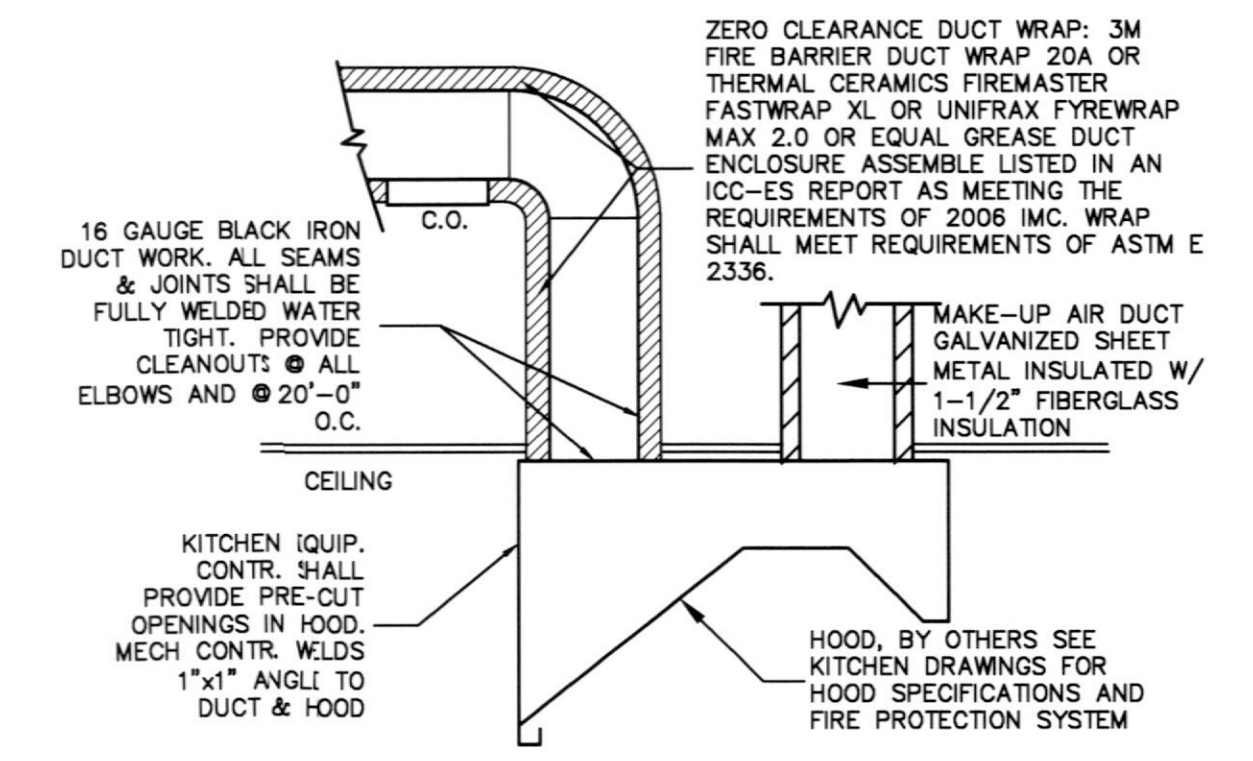
NOTES: 1. INSTALL IN ACCORDANCE WITH LANDLORD REQUIREMENTS. 2. RAILS & CURB ARE TO BE SET LEVEL - FIELD VARYIFY ROOF PITCH. SEAL DUCTWORK WEATHERTIGHT AND ALTERNATE:...

3 ROOF MOUNTED UTILITY FAN DETAIL NO SCALE



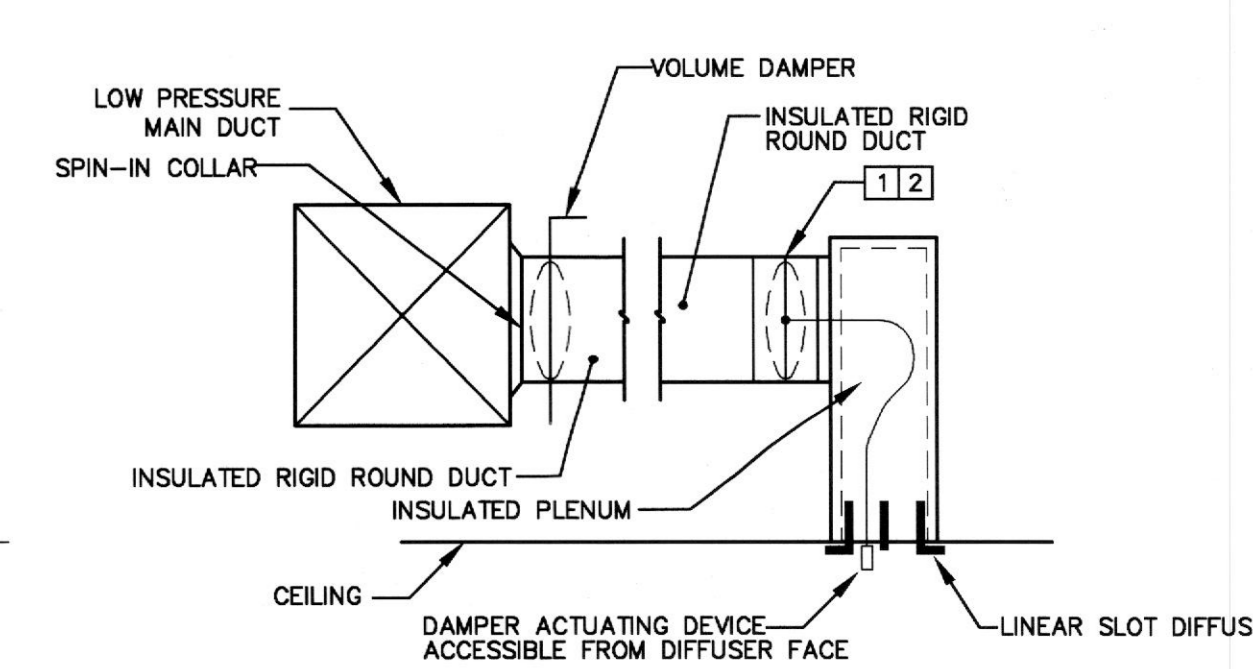
NOTE: PROVIDE BTU METERS FOR EACH UNIT. PER LANDLORD, BTU METERS SHALL BE "ONICON" MODEL F-1110 SINGLE TURBINE INSERTION FLOW METER WITH A "ONICON" D-100 FLOW DISPLAY WITH NETWORK INTERFACE...

2 CEILING HUNG HORIZONTAL UNIT DETAIL SCALE: NOT TO SCALE



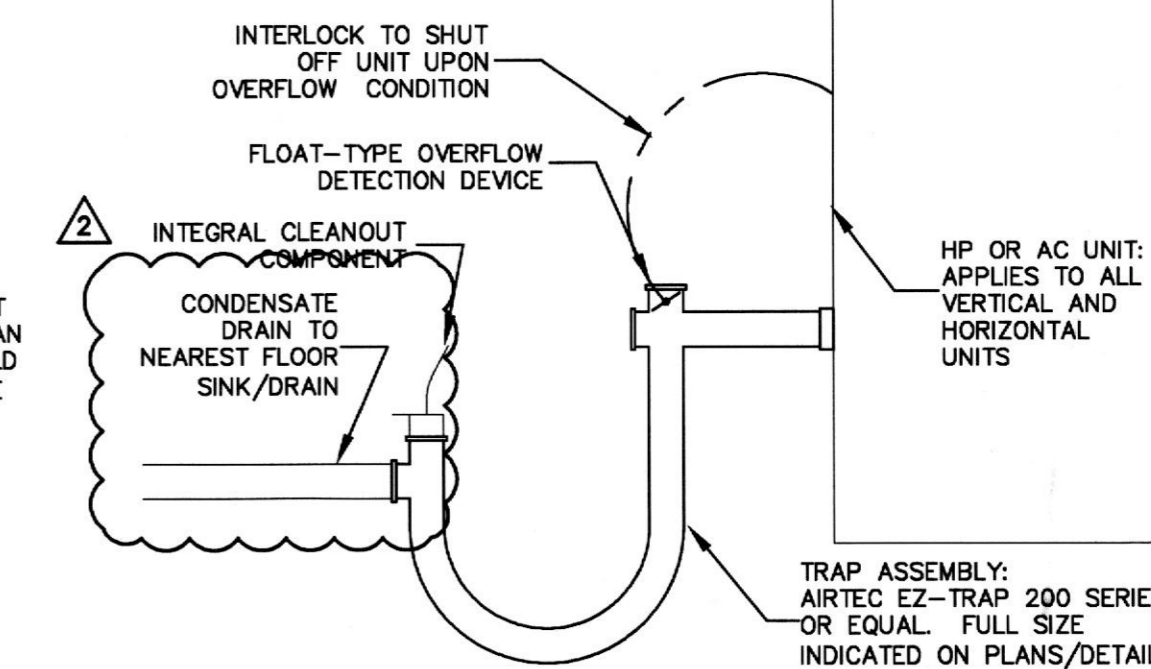
NOTES: ACCEPTABLE ALTERNATE: DUCTWORK FOR KITCHEN EXHAUST SHALL BE PRE-FABRICATED, STAINLESS STEEL, ROUND DUCTWORK, SINGLE-WALL WITH FIRE WRAP OR DOUBLE-WALL ZERO-CLEARANCE, AS MANUFACTURED BY "CAPTIVE AIRE" OR EQUAL.

1 HOOD DUCT CONNECTION DETAIL NOT TO SCALE



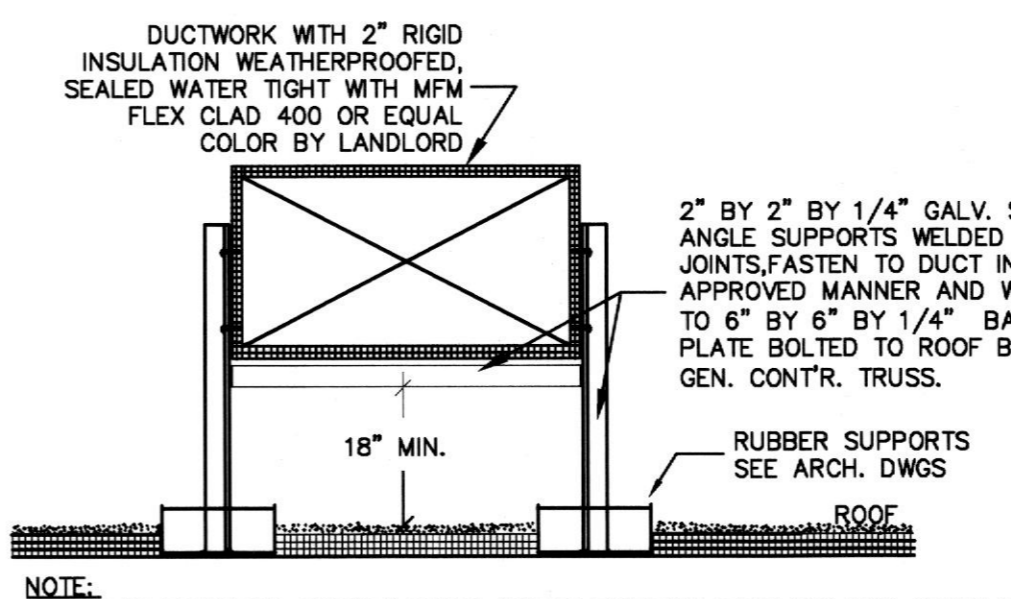
NOTES: 1. CABLE-ACTUATED VOLUME DAMPER ACCESSIBLE THROUGH DIFFUSER FACE: YOUNG REGULATOR CO. MODEL 800AWO OR METROPOLITAN AIR TECHNOLOGY MODEL RT-150 OR EQUAL.

9 TYPICAL LINEAR SLOT DIFFUSER DETAIL NOT TO SCALE



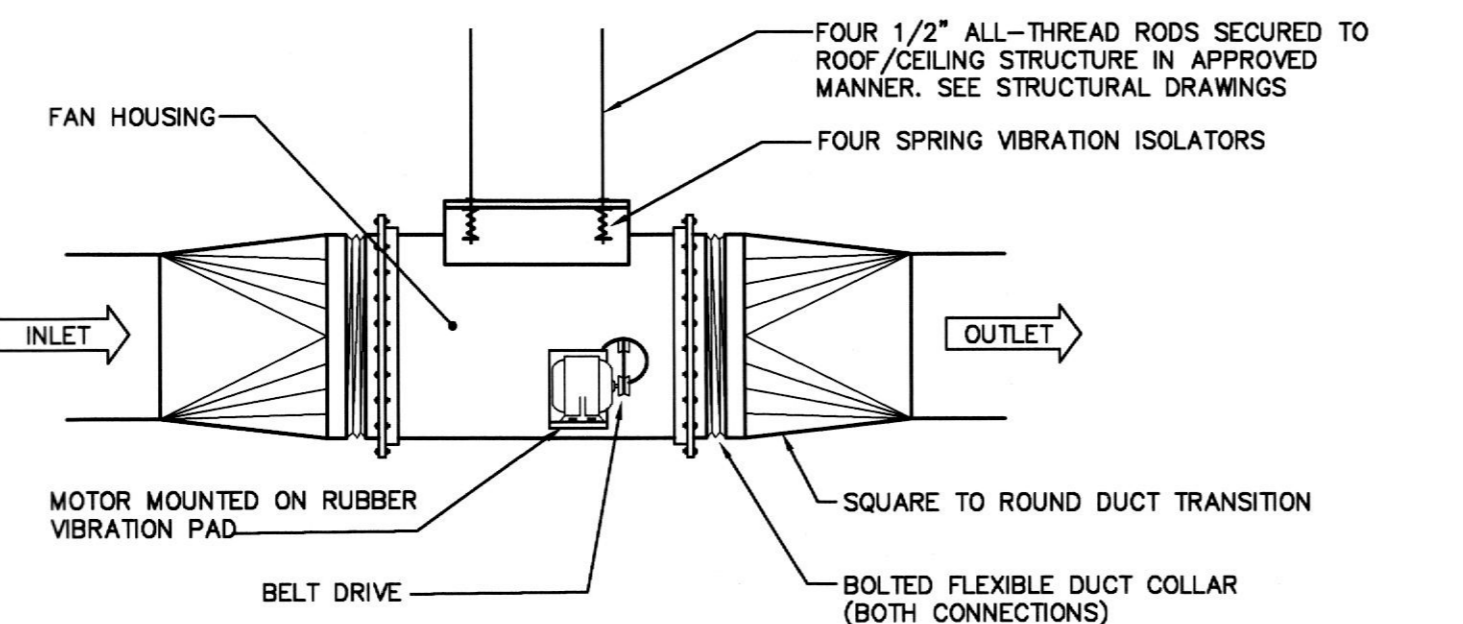
NOTE: ALL CONDENSATE PIPING (BELOW ROOF LINE) SHALL BE COPPER AND INSULATED, PER LANDLORD'S REQUEST. PIPING SHALL SLOP A MINIMUM 2% IN DIRECTION OF DISCHARGE, AWAY FROM UNIT.

8 CONDENSATE TRAP DETAIL NOT TO SCALE

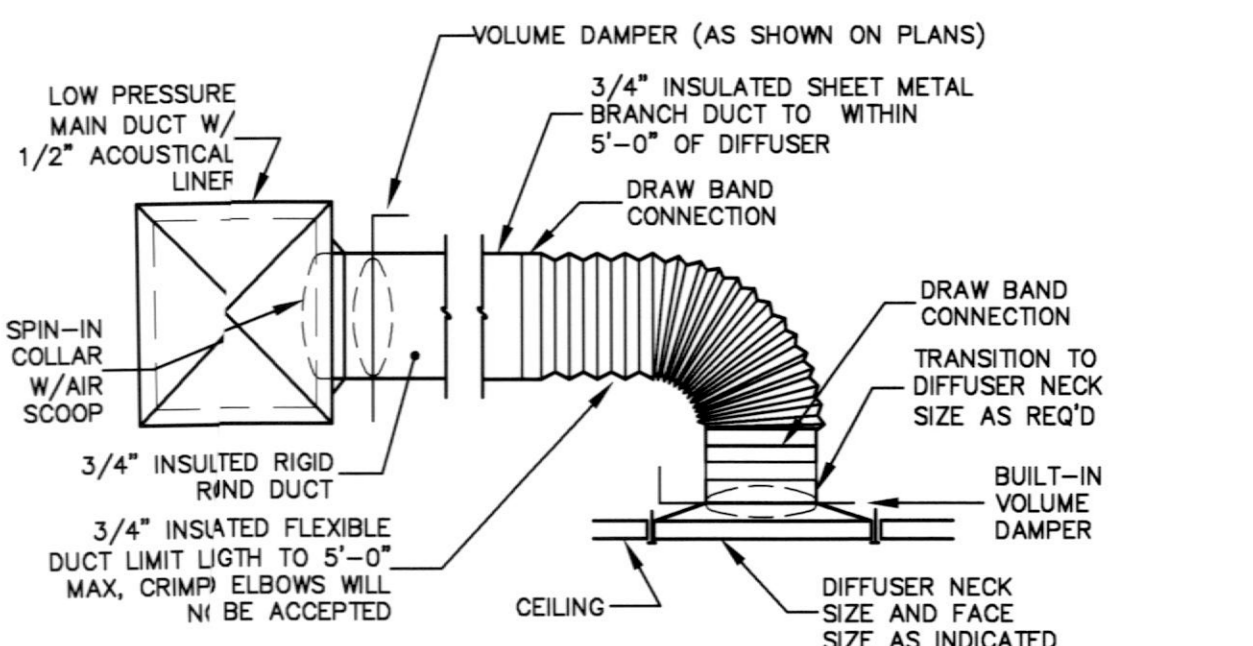


NOTE: EXACT MOUNTING DETAILS SHALL MATCH EXISTING BASE BUILDING STANDARD. CONTRACTOR SHALL COORDINATE ALL MOUNTING INSTALLATION DETAILS WITH STRUCTURAL SUPPORT DETAILS AND LANDLORD REQUIREMENTS.

7 DUCT ROOF SUPPORT DETAIL NOT TO SCALE

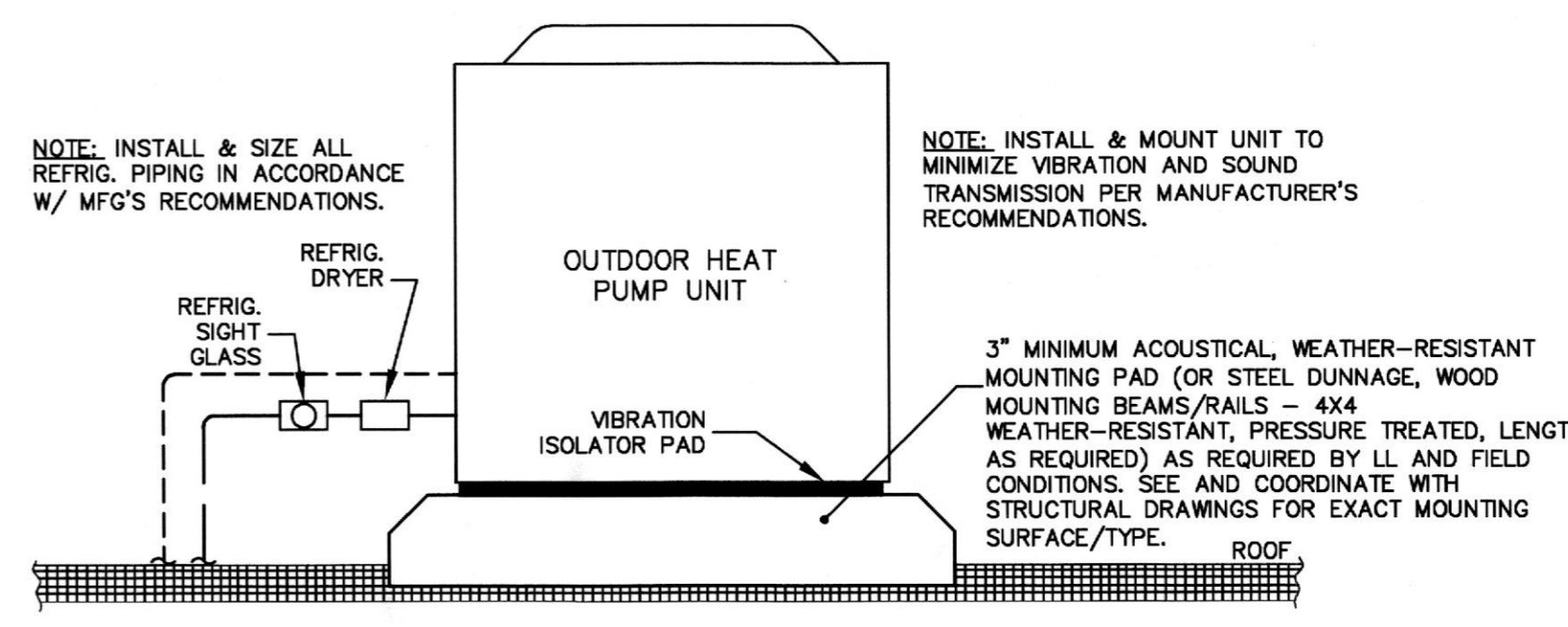


6 SUSPENDED IN-LINE FAN DETAIL NO SCALE



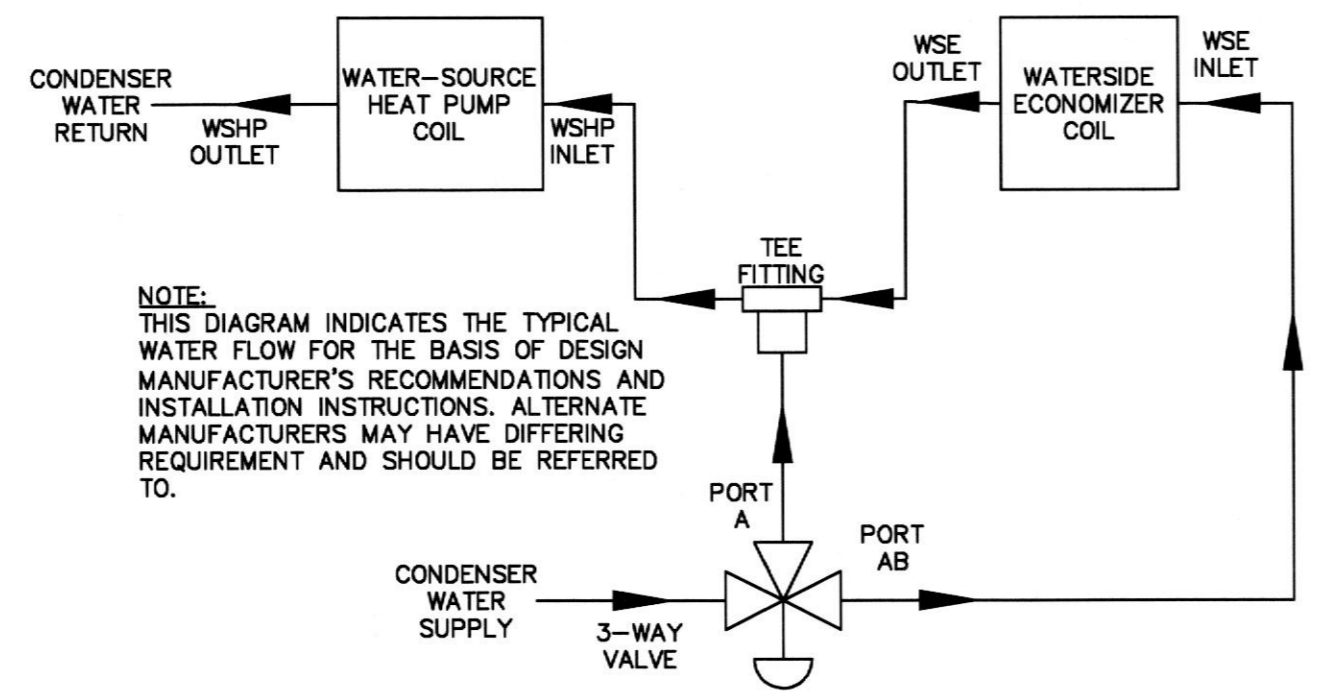
NOTE: SUPPLY AIR DUCTWORK SHALL UTILIZE EXTERNAL FOIL-WRAPPED INSULATION IN ALL ENCLOSED APPLICATIONS, AND NOT IN LIEU OF INTERNAL DUCT LINER.

5 TYPICAL CEILING DIFFUSER DETAIL NOT TO SCALE



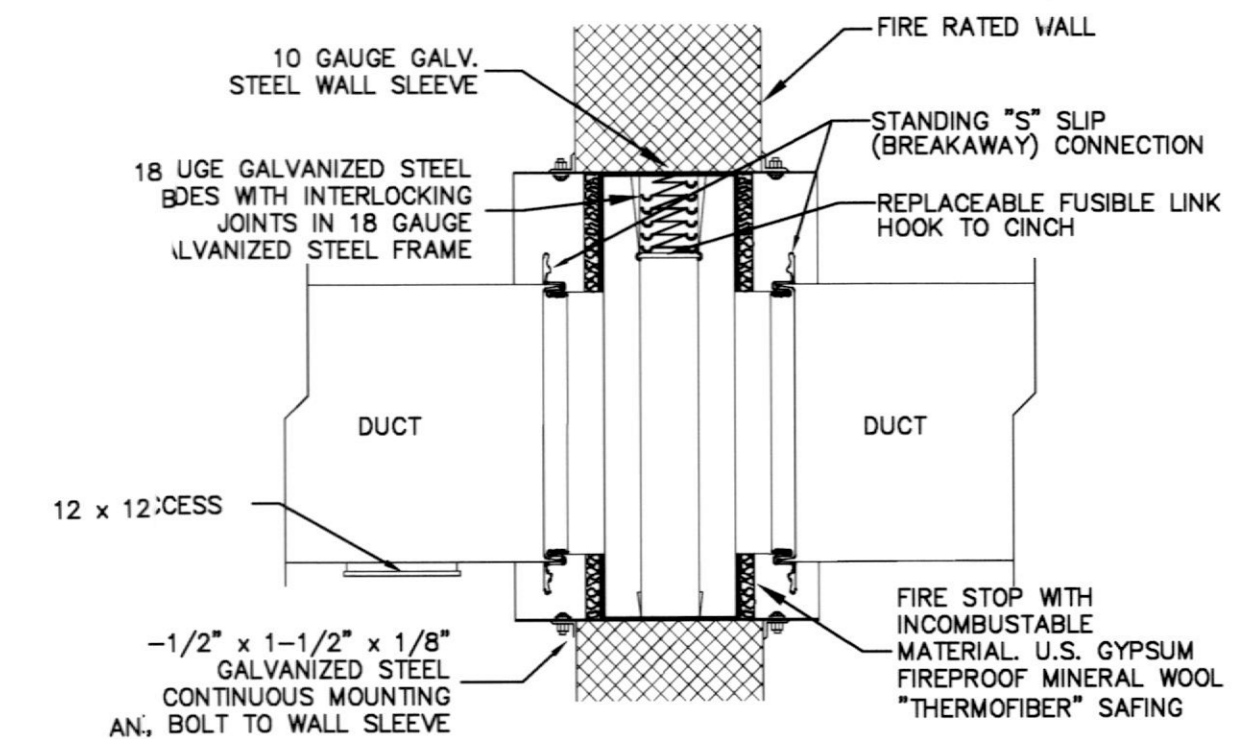
NOTE: INSTALL & MOUNT UNIT TO MINIMIZE VIBRATION AND SOUND TRANSMISSION PER MANUFACTURER'S RECOMMENDATIONS.

12 TYPICAL OUTDOOR HEAT PUMP MOUNTING DETAIL NO SCALE



NOTE: THIS DIAGRAM INDICATES THE TYPICAL WATER FLOW FOR THE BASIS OF DESIGN. MANUFACTURER'S RECOMMENDATIONS AND INSTALLATION INSTRUCTIONS. ALTERNATE MANUFACTURERS MAY HAVE DIFFERING REQUIREMENT AND SHOULD BE REFERRED TO.

11 TYPICAL WATERSIDE ECONOMIZER PIPING DIAGRAM SCALE: NOT TO SCALE



NOTES: 1. FIRE DAMPERS TO HAVE BREAKAWAY JOINT BETWEEN COLLARS AND DUCT. (CARRS SHALL BE INTEGRAL WITH FIRE DAMPER FRAME) 2. FIRE DAMPER SHALL BE IN COMPLIANCE WITH U.L. 555, AND HAVE A MINIMUM FIRATING TO MATCH WALL ASSEMBLY RATING.

10 HORIZONTAL DUCT MOUNTED FIRE DAMPER DETAIL NOT TO SCALE

ARCHITECT HapstakDemetriou + ARCHITECTURE | DESIGN 2715 M STREET NW, 4th Floor WASHINGTON, DC 20007 202.333.9038 www.hd-ad.com info@hd-ad.com

CLIENT Alexanader Smith (410) 241-1224 afsmith11@gmail.com STRUCTURAL ENGINEER BEI Structural Engineers 3930 Pender Dr. Suite175 Fairfax, VA 22030

MEP ENGINEER J.B. Wyble and Associates, P.A. 7950 Norfolk Ave., Bethesda, MD 301-654-1410 FOOD SERVICE CONSULTANT JLA Corp 13031 US Highway 19N, Clearwater, FL 33764 727-470-7862

OUZO BAY/ LOCH BAR HOUSTON 4444 WESTHEIMER RD, HOUSTON, TX 77027 PROJECT NO. JBW17108

I CERTIFY THAT THESE DOCUMENTS WERE PREPARED OR APPROVED BY ME, AND THAT I AM A DULY LICENSED PROFESSIONAL ENGINEER UNDER THE LAWS OF THE STATE OF TEXAS. PE LICENSE #: 129510, EXPIRATION DATE: DECEMBER 31, 2018 FIRM LICENSE #: F19615, EXPIRATION DATE: MARCH 31, 2019

Table with columns: REV, DATE, ISSUED FOR. Rows: 05/16/2018 PROGRESS SET, 06/11/2018 PERMIT SET, 08/30/2018 PERMIT COMMENTS, 10/04/2018 PERMIT COMMENTS

MECHANICAL DETAILS M100