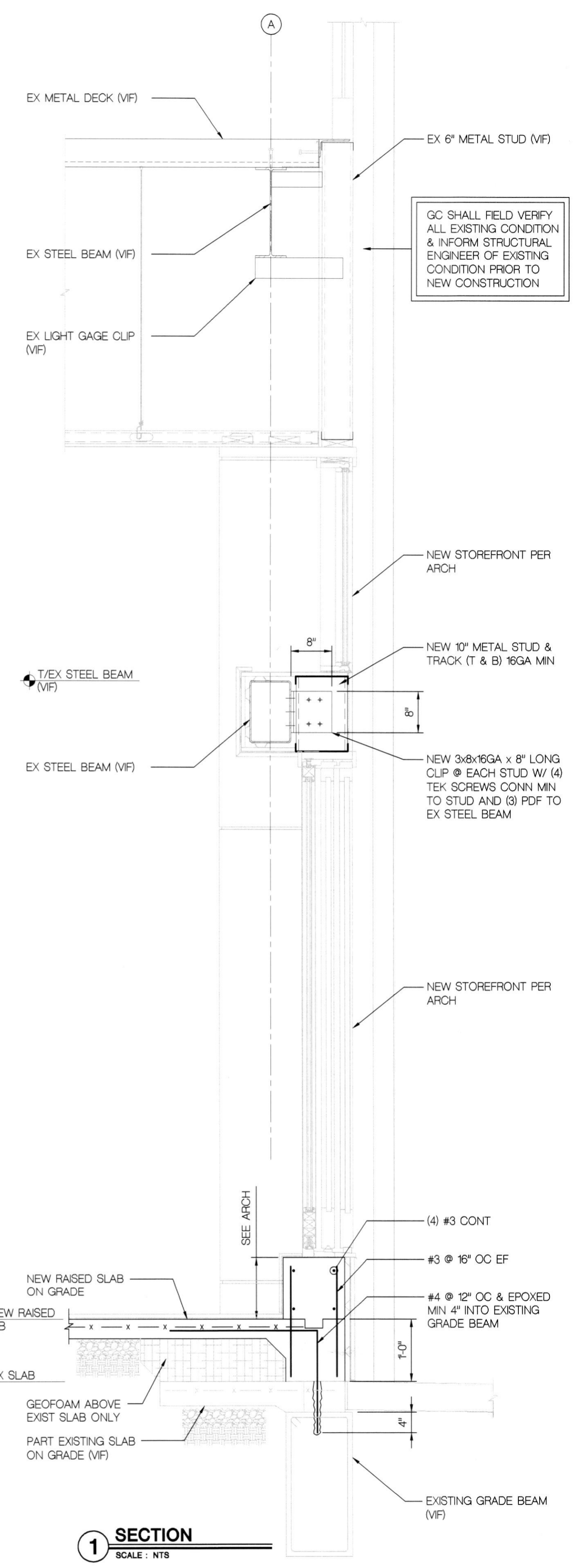


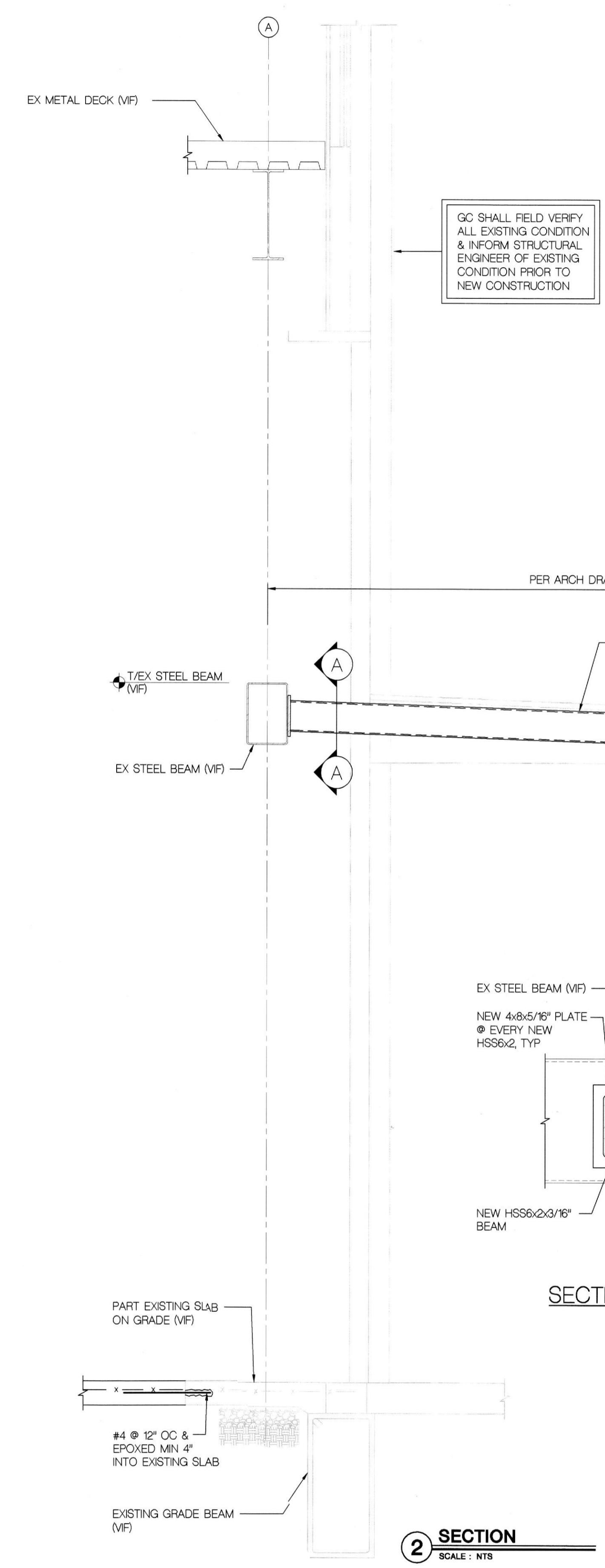
REVIEWED FOR COMPLIANCE

Performance of this review does not relieve the applicant from full responsibility to comply with all applicable codes, ordinances and regulations

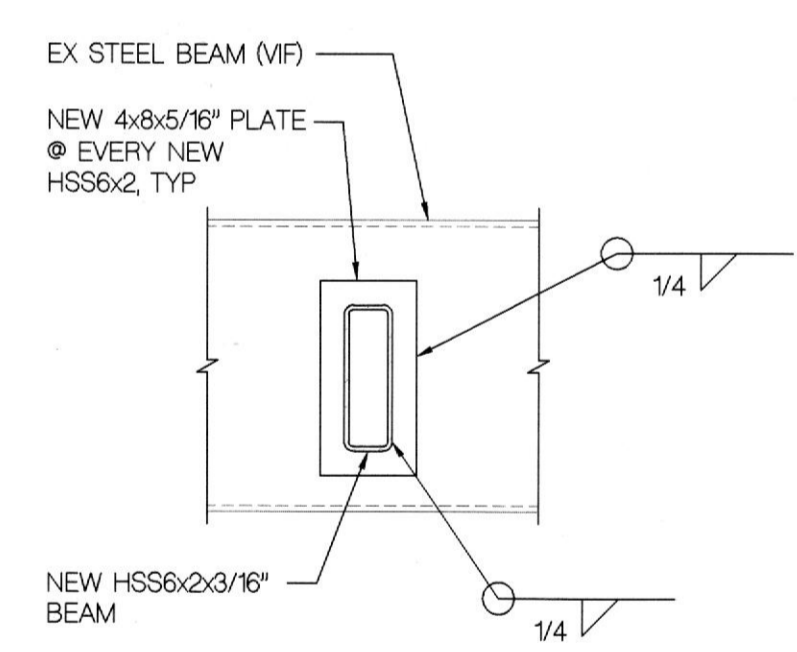
10/29/18



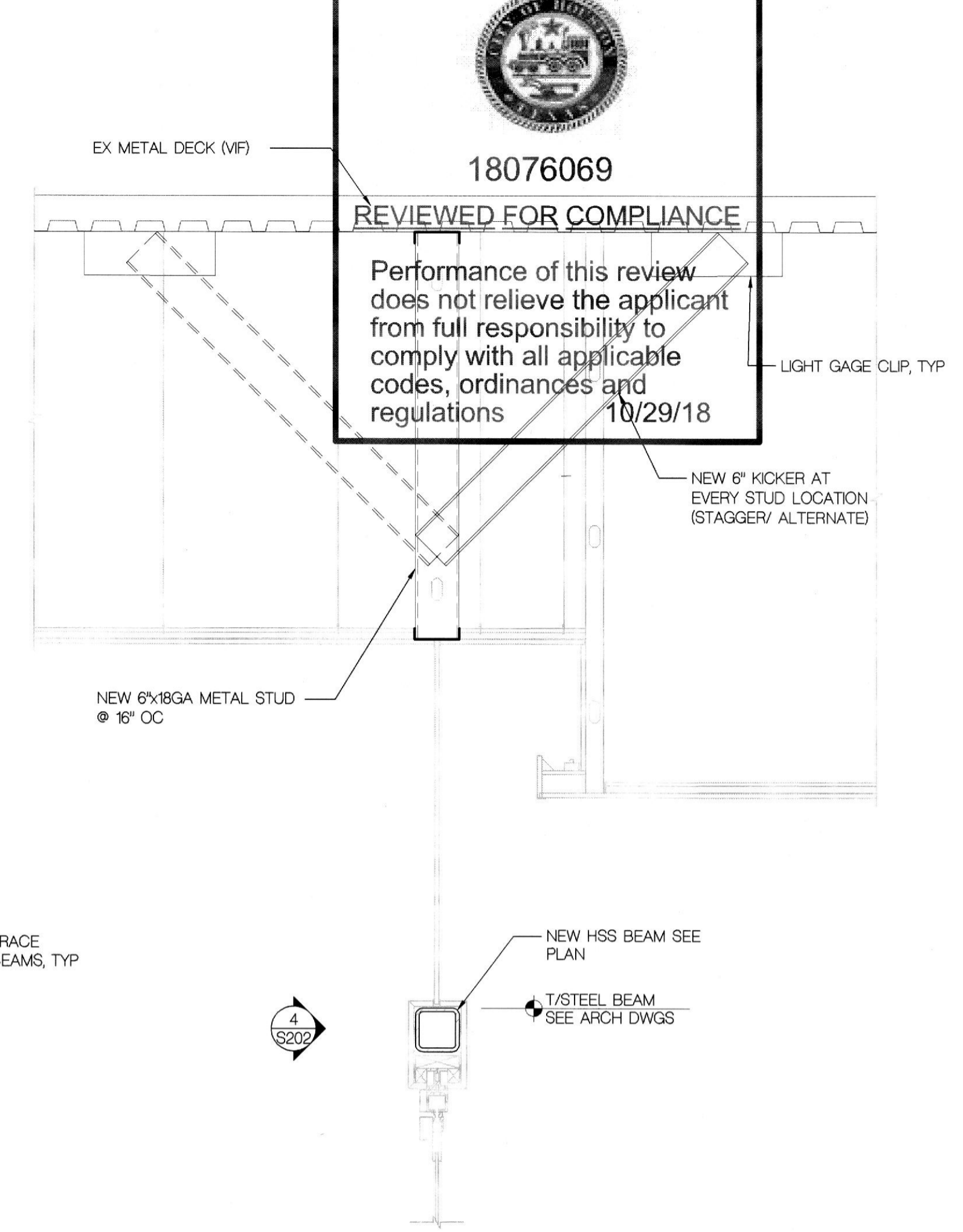
1 SECTION
SCALE: NTS



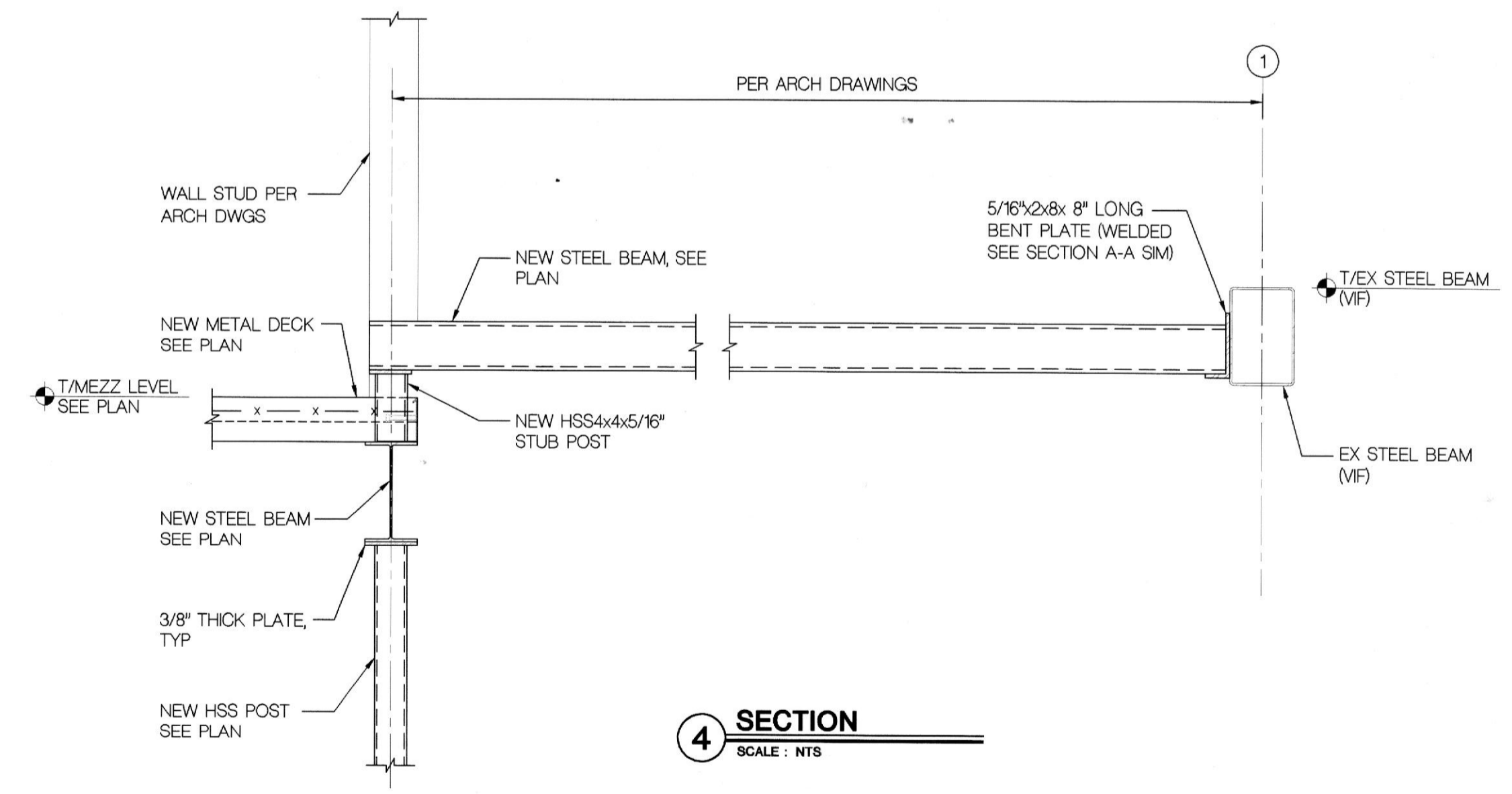
2 SECTION
SCALE: NTS



SECTION A-A



3 SECTION
SCALE: NTS



4 SECTION
SCALE: NTS

File Name: "BIM Server: bim02.local - BIM Server 2017054 Ouzo Bay Houston current17054 Ouzo Bay Houston current" Layout: BG.1 GROUND FLOOR PLAN Printed Date: 2/13/18 at 3:16 PM

THIS DRAWING IS ISSUED FOR THE MAIN CONTRACTOR. THE CONTRACTOR SHALL BE RESPONSIBLE FOR VERIFYING ALL THE DRAWING IS NOT FOR CONSTRUCTION.

ARCHITECT
HapstakDemetriou +
 ARCHITECTURE | DESIGN
 2715 M STREET NW, 4th Floor
 WASHINGTON, DC 20007
 202.333.9038
 www.hd-ad.com info@hd-ad.com

CLIENT
 ALEXANDER SMITH
 (410)241-1224
 afsmith11@gmail.com

STRUCTURAL ENGINEER
 BEI STRUCTURAL ENGINEERS (FIRM #20121)
 3930 Pender Drive Fairfax, VA 22030
 703-890-5000

MEP ENGINEER
 J.B. Wyble and Associates, P.A.
 7950 Norfolk Ave., Bethesda, MD
 301-654-1410

FOOD SERVICE CONSULTANT
 JLA Corp
 13031 US Highway 19N, Clearwater, FL 33764
 727-470-7862

OUZO BAY HOUSTON
 4444 WESTHEIMER RD, HOUSTON, TX 77027, SUITE 130
PROJECT NO. 17054

I CERTIFY THAT THESE DOCUMENTS WERE PREPARED OR APPROVED BY ME, AND THAT I AM A DULY LICENSED STRUCTURAL ENGINEER UNDER THE LAWS OF TEXAS - FIRM REGISTRATION #20121

REV	DATE	ISSUED FOR
	5/16/18	PROGRESS SET
	6/20/18	PERMIT SET

REV	DATE	ISSUED FOR

WALL SECTIONS

S202

© HapstakDemetriou+, pllc 2018