

City of Houston Texas



18076069

REVIEWED FOR COMPLIANCE

Performance of this review does not relieve the applicant from full responsibility to comply with all applicable codes, ordinances and regulations

10/29/18

**ARCHITECT**  
 HapstakDemetriou +

2715 M Street, NW Suite 4  
 Washington, DC 20007  
 202.333.9038  
 www.hd-ad.com  
 info@hd-ad.com

ARCHITECTURE | DESIGN

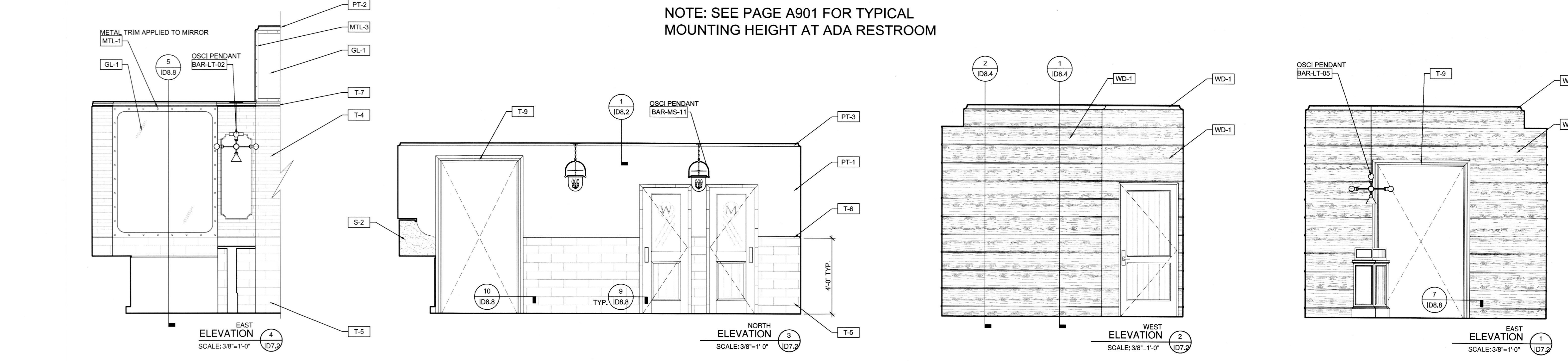
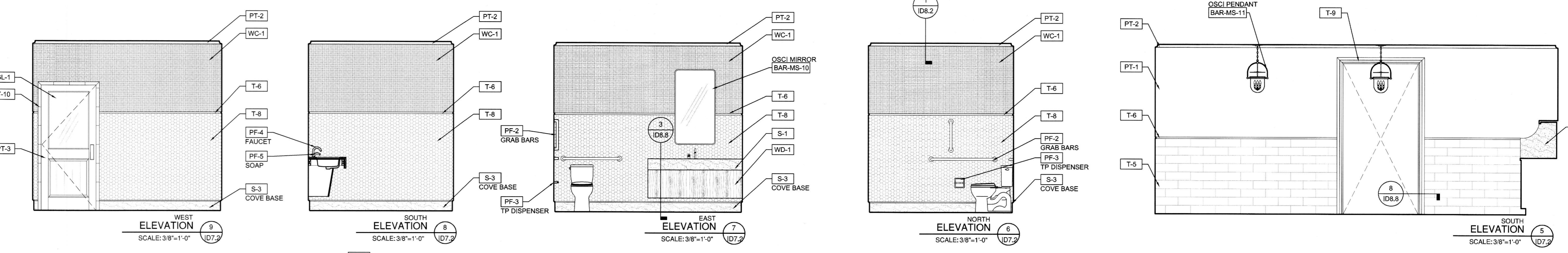
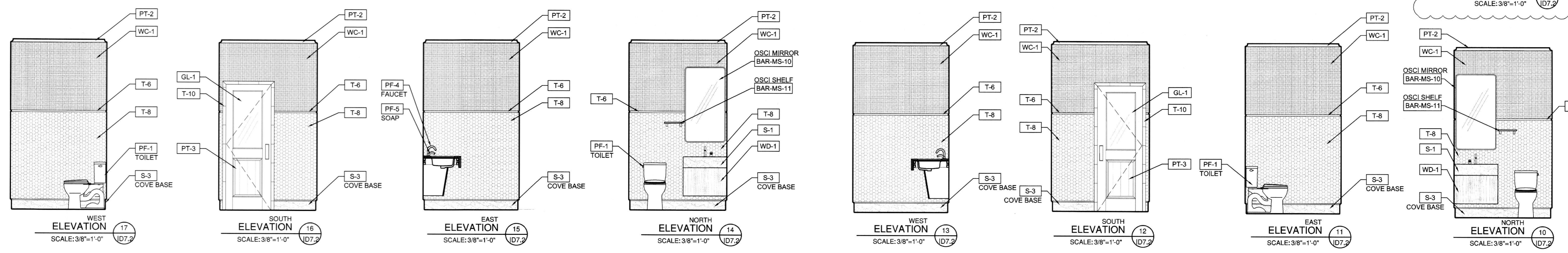
**INTERIOR DESIGNER**  
 Patrick Sutton  
 1000 Light St.  
 Baltimore, MD 21230  
 410-783-1500

**CLIENT**  
 Alexander Smith  
 (410) 241-1224  
 afsmith11@gmail.com

**STRUCTURAL ENGINEER**  
 BEI Structural Engineers  
 3930 Pender Dr. Suite175  
 Fairfax, VA 22030

**MEP ENGINEER**  
 J.B. Wyble and Associates, P.A.  
 7950 Norfolk Ave., Bethesda, MD  
 301-654-1410

**FOOD SERVICE CONSULTANT**  
 JLA Corp  
 13031 US Highway  
 19N, Clearwater, FL 33764  
 727-470-7862

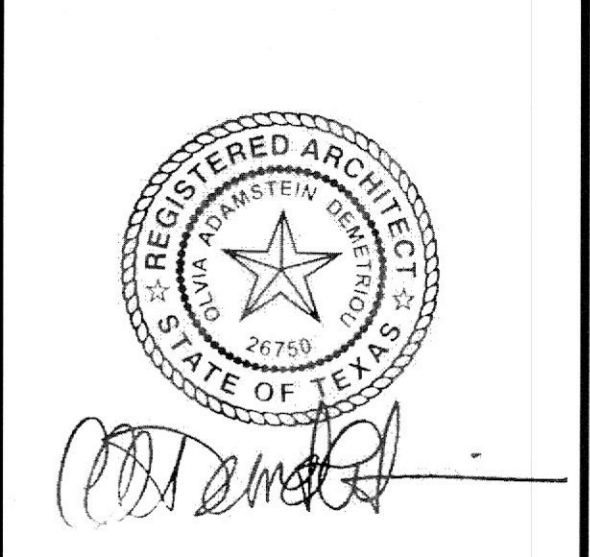


NOTE: SEE PAGE A901 FOR TYPICAL MOUNTING HEIGHT AT ADA RESTROOM

**PROJECT NO. 17054**

**LOCH BAR HOUSTON**

4444 WESTHEIMER RD  
 HOUSTON, TX 77027,  
 SUITE 110



I CERTIFY THAT THESE DOCUMENTS WERE PREPARED OR APPROVED BY ME, AND THAT I AM A DULY LICENSED ARCHITECT UNDER THE LAWS OF TEXAS  
 LICENSE NO. 26750 EXPIRATION DATE: 7/31/2019

| REV | DATE     | ISSUED FOR     |
|-----|----------|----------------|
|     | 6/20/18  | PERMIT SET     |
|     | 10/19/18 | PERMIT COMMENT |

ELEVATIONS

**ID7-2**

PRINTED: 10/19/18  
 © HapstakDemetriou+, pllc 2018