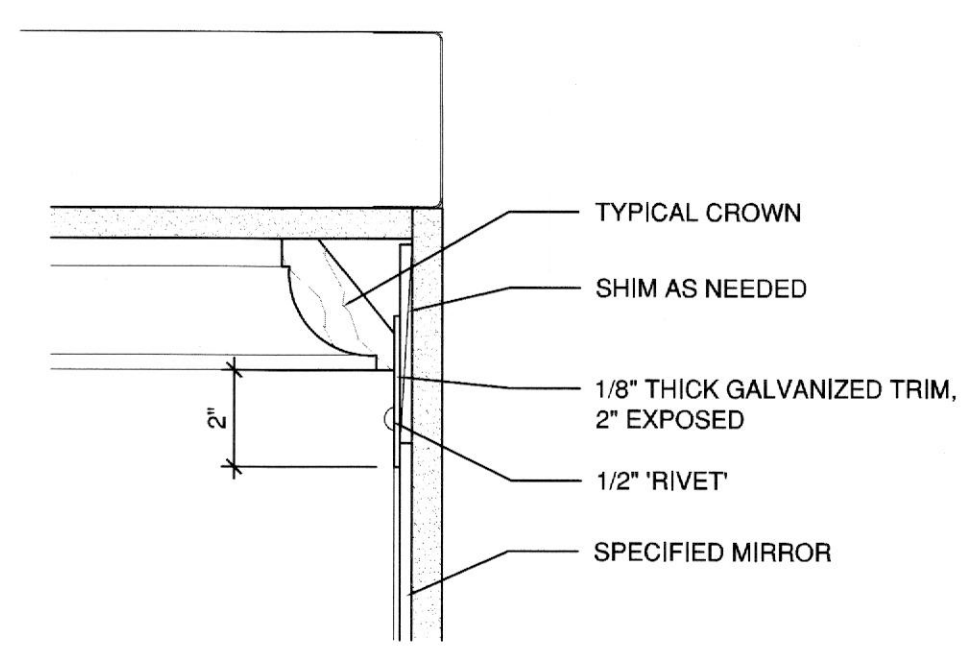
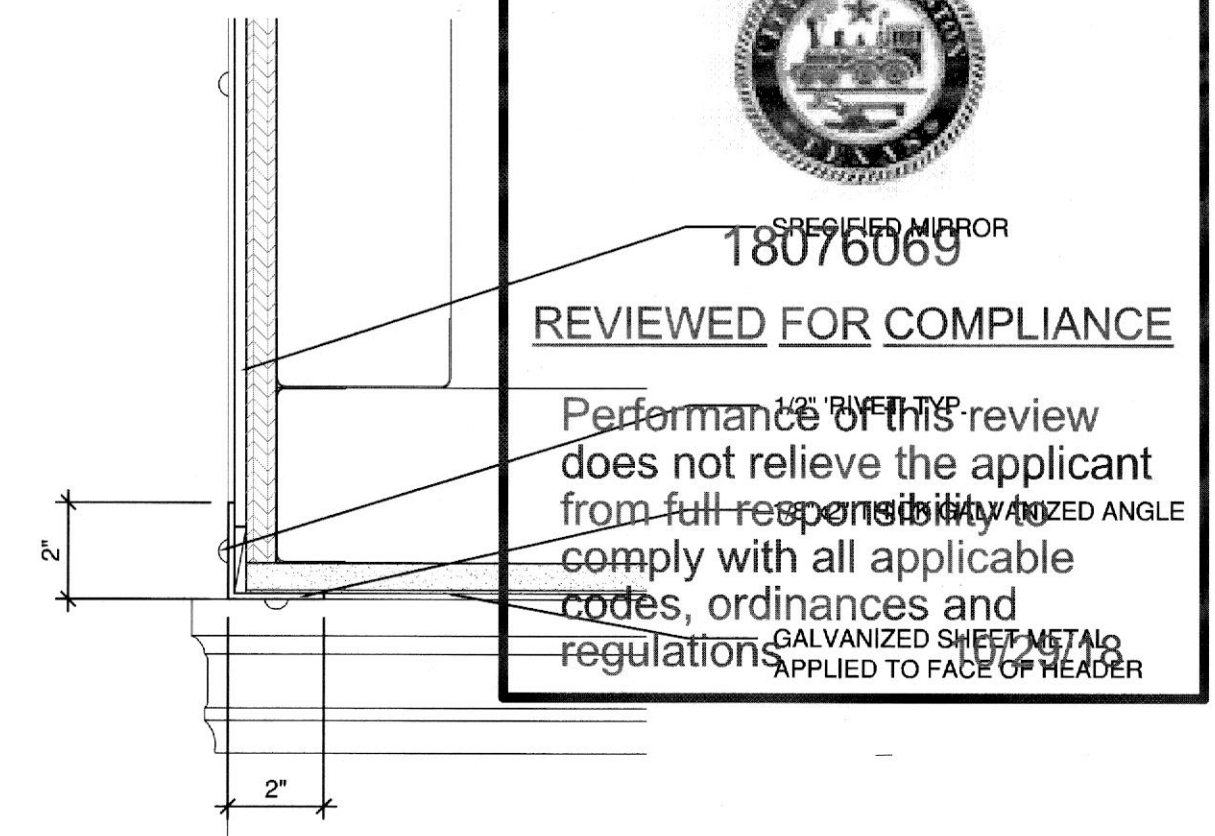


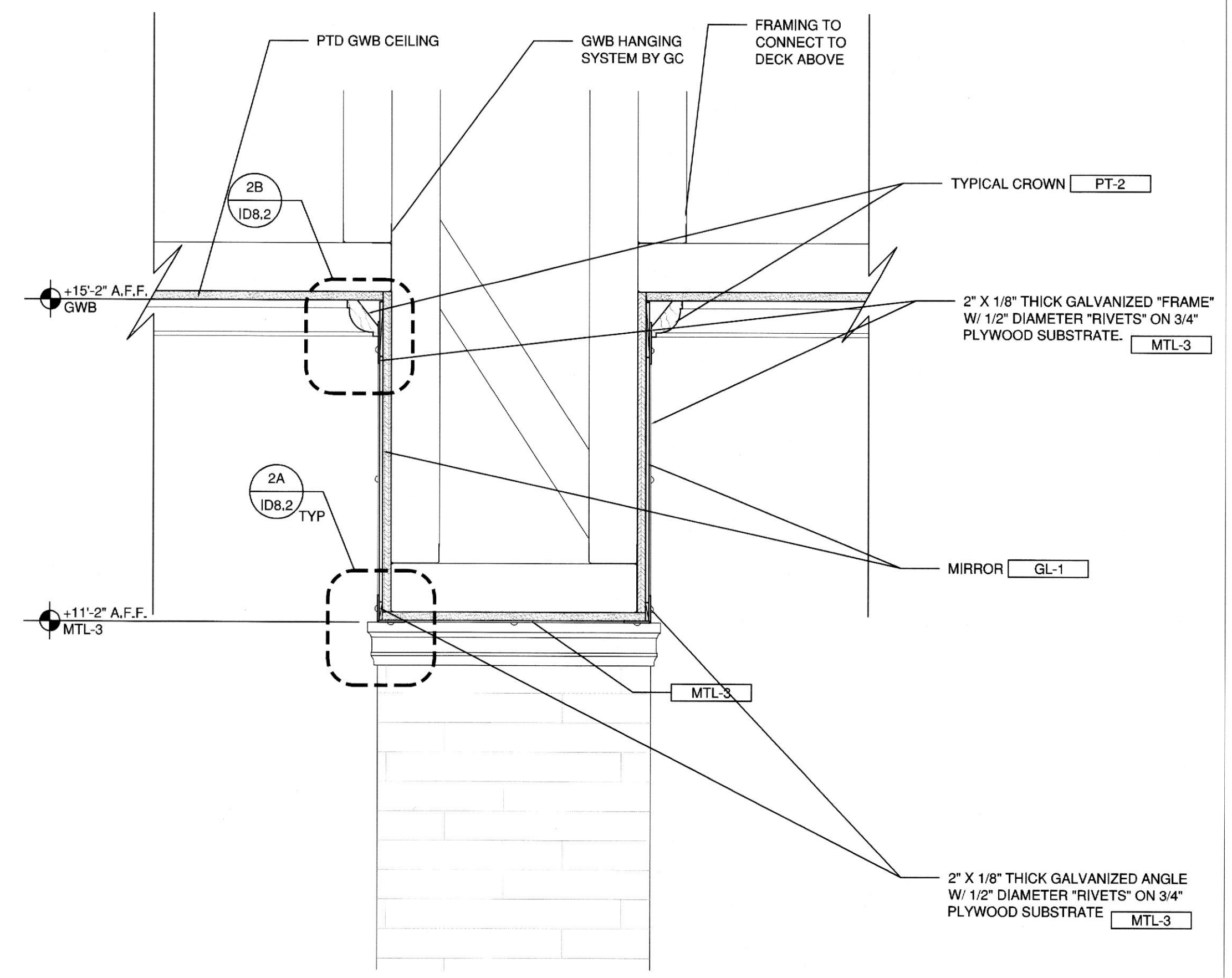
3 WALL SECTION
Scale: 1 1/2" = 1'-0"



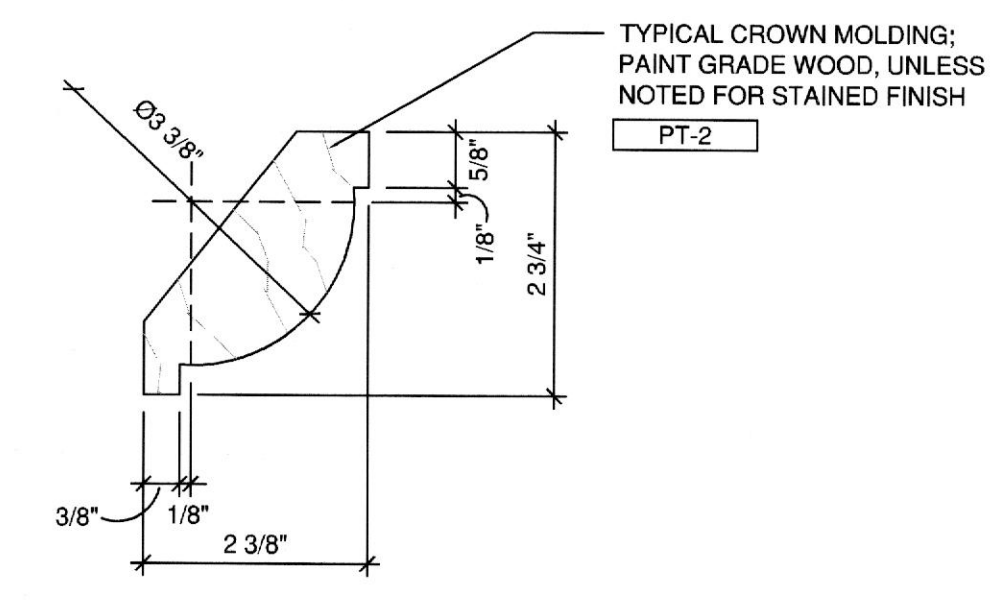
DETAIL CEILING SECTION 2B
SCALE: 1 1/2" = 1'-0" ID8.2




DETAIL CEILING SECTION 2A
SCALE: 3" = 1'-0" ID8.2



DETAIL BULKHEAD SECTION 2
SCALE: 1 1/2" = 1'-0" ID8.2



DETAIL TYPICAL CROWN MOLDING 1
SCALE: 6" = 1'-0" ID8.2

City of Houston Texas

 18076069
 REVIEWED FOR COMPLIANCE
 Performance of this review does not relieve the applicant from full responsibility to comply with all applicable codes, ordinances and regulations.
 GALVANIZED SHEET METAL APPLIED TO FACE OF HEADER

ARCHITECT
 HapstakDemetriou +
 2715 M Street, NW Suite 4
 Washington, DC 20007
 202.333.9038
 www.hd-ad.com
 info@hd-ad.com
 ARCHITECTURE | DESIGN

INTERIOR DESIGNER
 Patrick Sutton
 1000 Light St.
 Baltimore, MD 21230
 410-783-1500

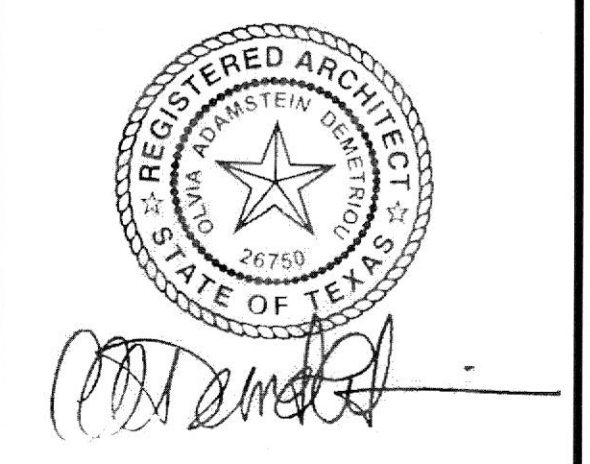
CLIENT
 Alexander Smith
 (410) 241-1224
 afsmith11@gmail.com

STRUCTURAL ENGINEER
 BEI Structural Engineers
 3930 Pender Dr. Suite 175
 Fairfax, VA 22030

MEP ENGINEER
 J.B. Wyble and Associates, P.A.
 7950 Norfolk Ave., Bethesda, MD
 301-654-1410

FOOD SERVICE CONSULTANT
 JLA Corp
 13031 US Highway
 19N, Clearwater, FL 33764
 727-470-7862

PROJECT NO. 17054
LOCH BAR HOUSTON
 4444 WESTHEIMER RD
 HOUSTON, TX 77027
 SUITE 110



I CERTIFY THAT THESE DOCUMENTS WERE PREPARED OR APPROVED BY ME, AND THAT I AM A DULY LICENSED ARCHITECT UNDER THE LAWS OF TEXAS
 LICENSE NO. 26750 EXPIRATION DATE: 8/31/2018

REV	DATE	ISSUED FOR
	6/20/18	PERMIT SET

DETAILS
ID8-2
 PRINTED: 6/21/18
 © HapstakDemetriou+, pllc 2018