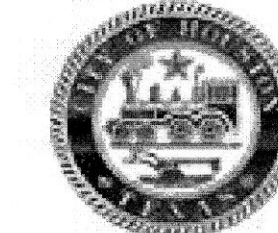


City of Houston Texas



18076069

REVIEWED FOR COMPLIANCE

Performance of this review does not relieve the applicant from full responsibility to comply with all applicable codes, ordinances and regulations 10/29/18

ARCHITECT
HapstakDemetriou +

2715 M Street, NW Suite 4
Washington, DC 20007
202.333.9038
www.hd-ad.com
info@hd-ad.com

ARCHITECTURE | DESIGN

INTERIOR DESIGNER
Patrick Sutton
1000 Light St.
Baltimore, MD 21230
410-783-1500

CLIENT
Alexander Smith
(410) 241-1224
afsmith11@gmail.com

STRUCTURAL ENGINEER
BEI Structural Engineers
3930 Pender Dr. Suite 175
Fairfax, VA 22030

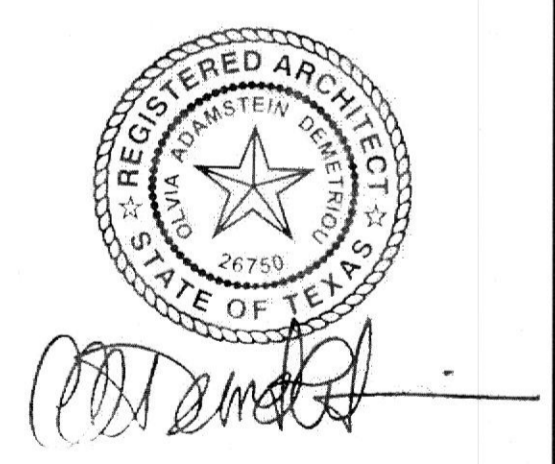
MEP ENGINEER
J.B. Wyble and Associates, P.A.
7950 Norfolk Ave., Bethesda, MD
301-654-1410

FOOD SERVICE CONSULTANT
JLA Corp
13031 US Highway
19N, Clearwater, FL 33764
727-470-7862

PROJECT NO. 17054

LOCH BAR HOUSTON

4444 WESTHEIMER RD
HOUSTON, TX 77027
SUITE 110



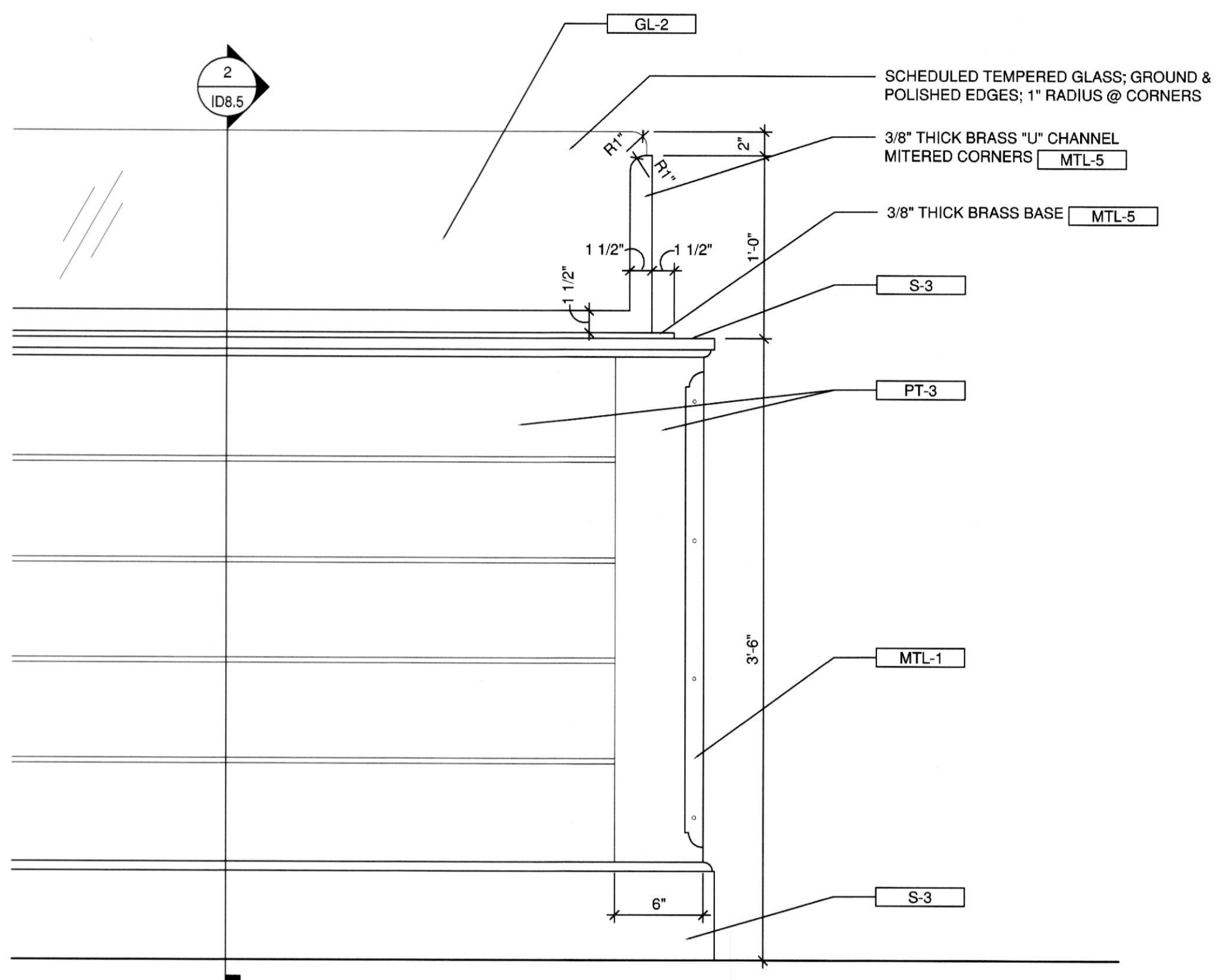
I CERTIFY THAT THESE DOCUMENTS WERE PREPARED OR APPROVED BY ME, AND THAT I AM A DULY LICENSED ARCHITECT UNDER THE LAWS OF TEXAS
LICENSE NO. 26750 EXPIRATION DATE: 8/31/2018

REV	DATE	ISSUED FOR

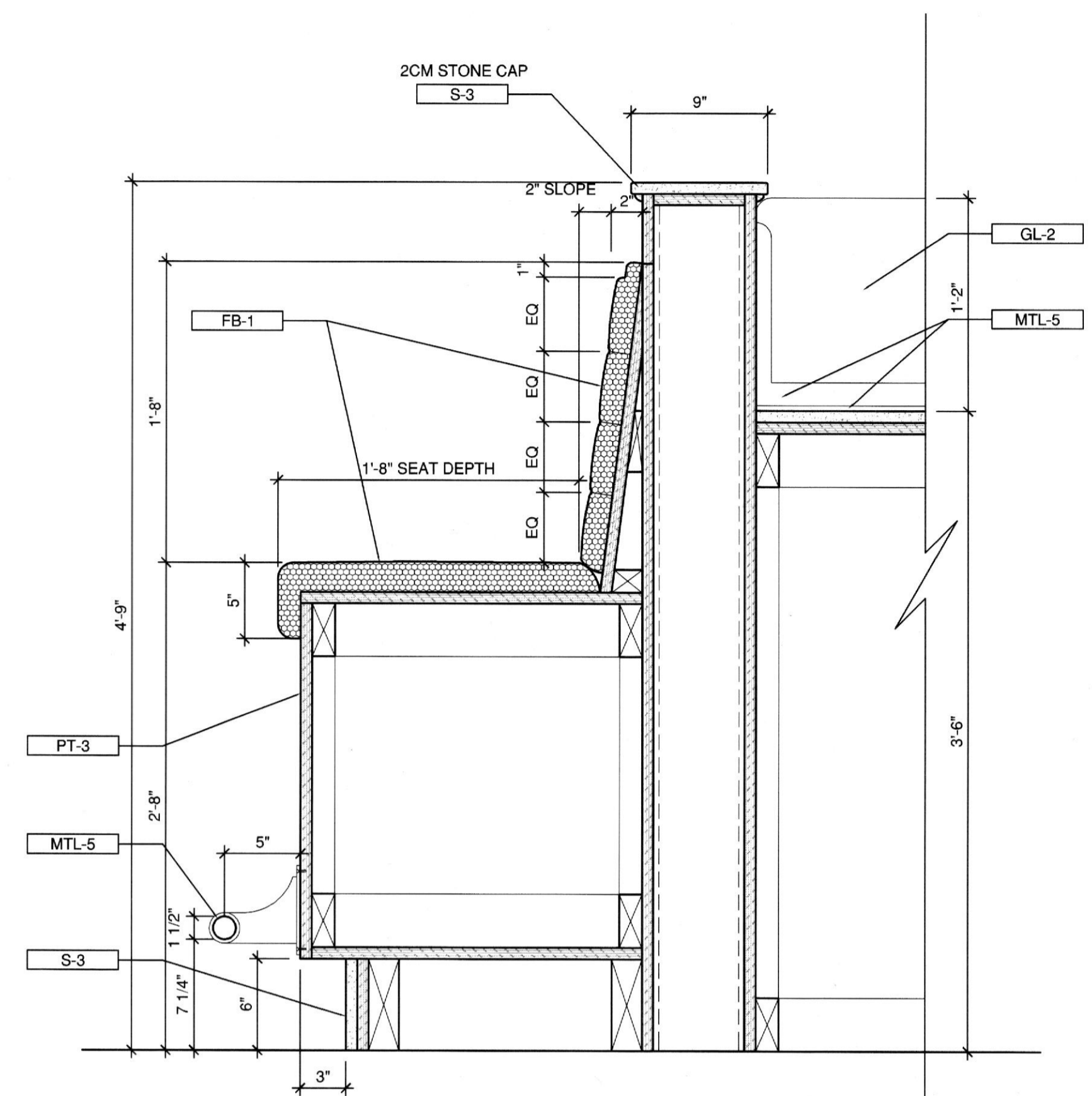
DETAILS

ID8-5

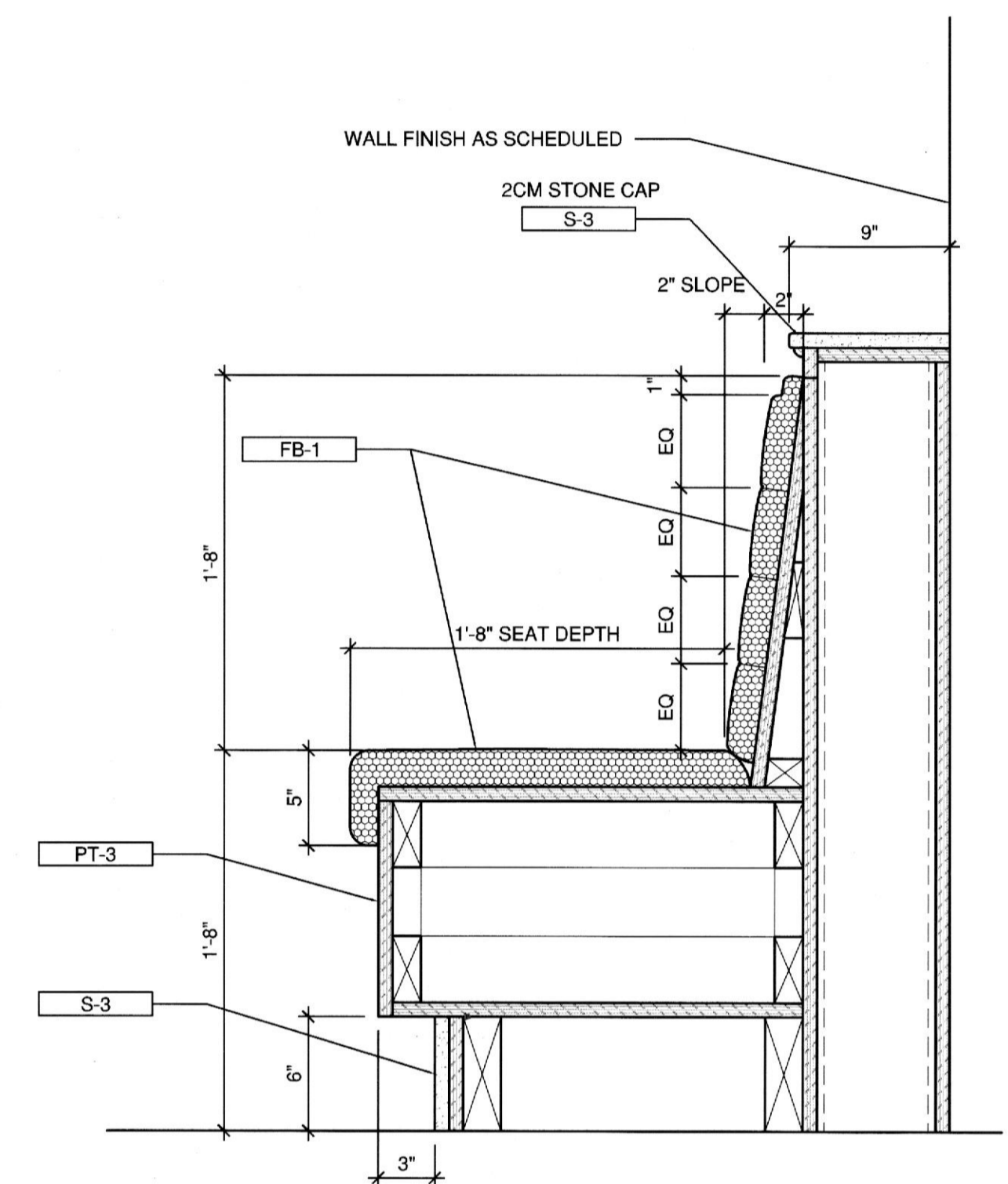
PRINTED: 6/21/18
© HapstakDemetriou+, pllc 2018



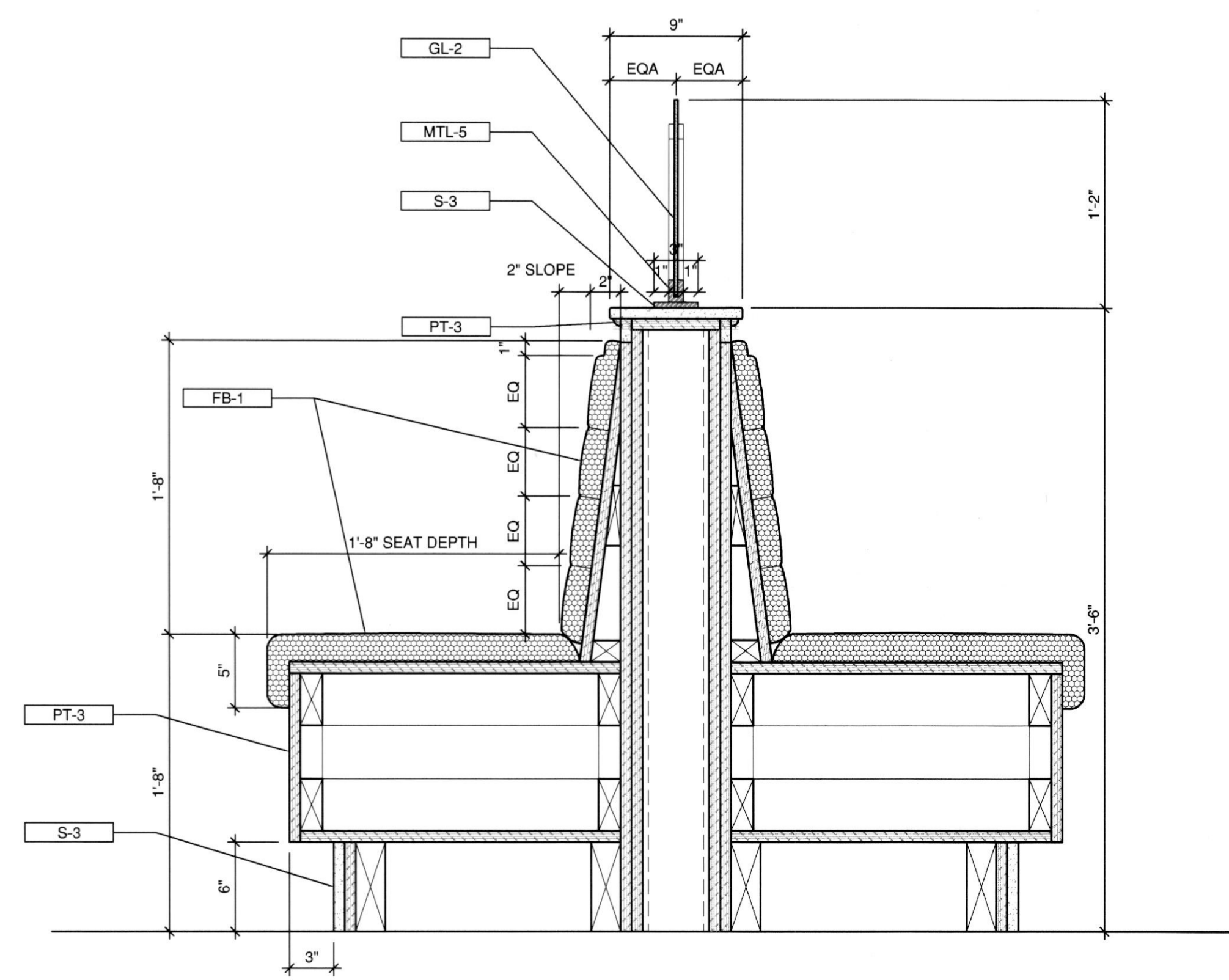
DETAIL
ENLARGED BANQUETTE GLASS ELEVATION (6)
SCALE: 1-1/2"=1'-0" (ID8.5)



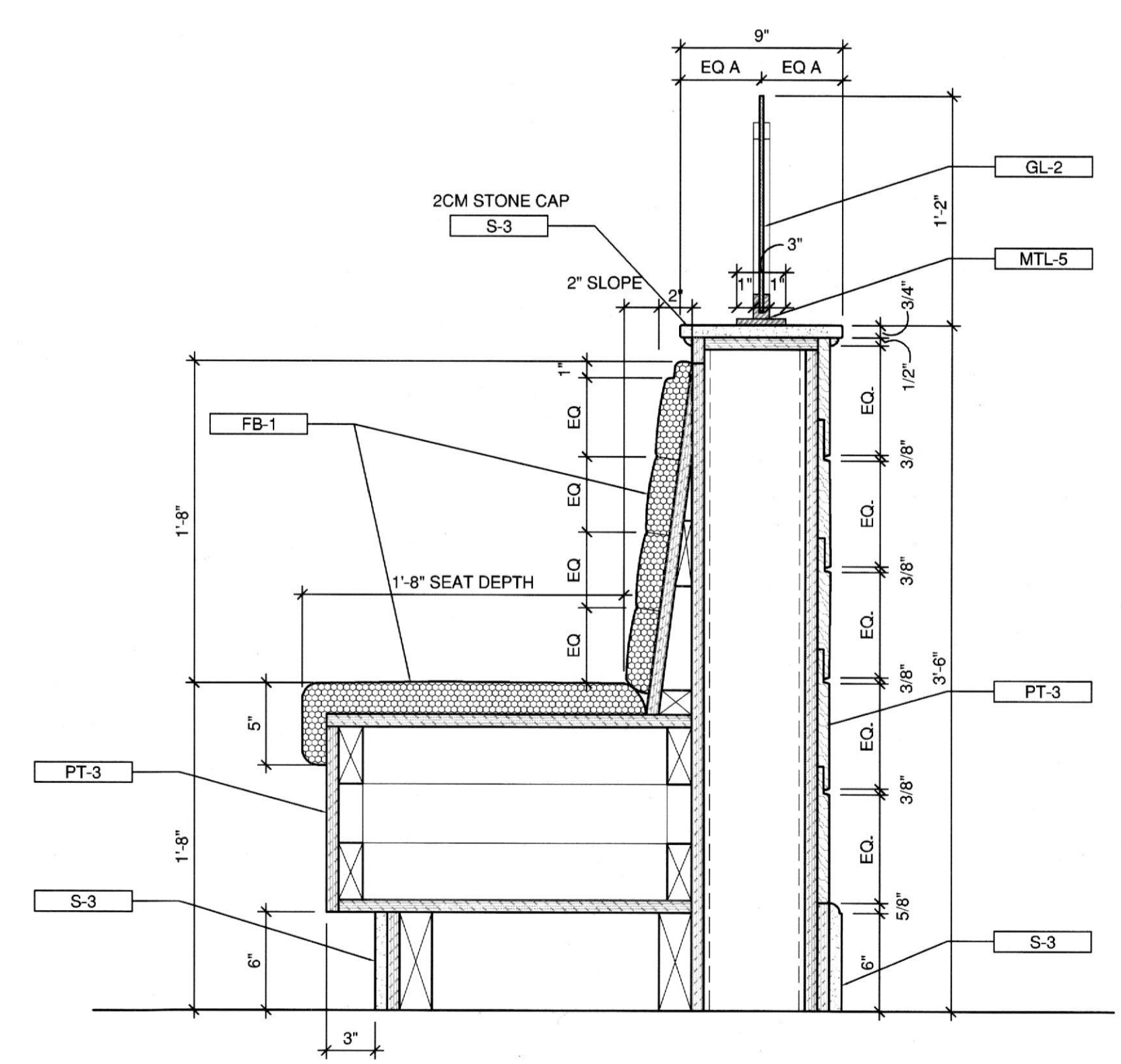
DETAIL
BAR HEIGHT BANQUETTE SECTION (5)
SCALE: 1-1/2"=1'-0" (ID8.5)



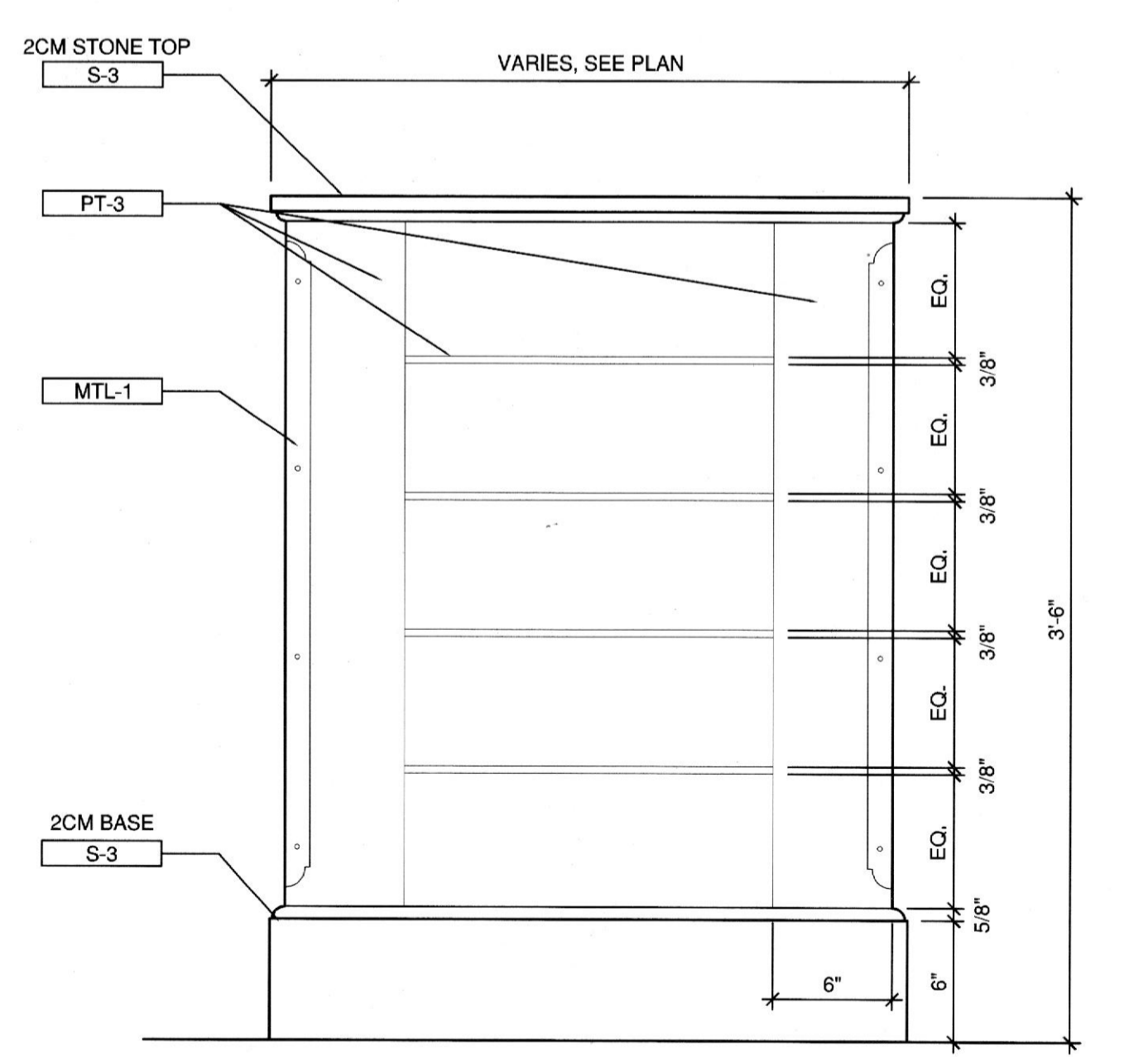
DETAIL
SINGLE-SIDED BANQUETTE AT WALL SECTION (4)
SCALE: 1-1/2"=1'-0" (ID8.5)



DETAIL
DOUBLE-SIDED BANQUETTE SECTION (3)
SCALE: 1-1/2"=1'-0" (ID8.5)



DETAIL
SINGLE-SIDED BANQUETTE SECTION (2)
SCALE: 1-1/2"=1'-0" (ID8.5)



DETAIL
DEEP BOOTH ENLARGED ELEVATION (1)
SCALE: 1-1/2"=1'-0" (ID8.5)