


City of Houston Texas



18076069

REVIEWED FOR COMPLIANCE

Performance of this review does not relieve the applicant from full responsibility to comply with all applicable codes, ordinances and regulations

DOWNLIGHT - LED TAPE LIGHT MOUNTED @ 45 DEGREE CHANNEL. WIRE RUNS THROUGH CAVITY IN SHELF

**ARCHITECT**  
 HapstakDemetriou+  
 2715 M Street, NW Suite 4  
 Washington, DC 20007  
 202.333.9038  
 www.hd-ad.com  
 info@hd-ad.com  
 ARCHITECTURE | DESIGN

**INTERIOR DESIGNER**  
 Patrick Sutton  
 1000 Light St.  
 Baltimore, MD 21230  
 410-783-1500


**CLIENT**  
 Alexander Smith  
 (410) 241-1224  
 a smith11@gmail.com

**STRUCTURAL ENGINEER**  
 BEI Structural Engineers  
 3930 Pender Dr. Suite 175  
 Fairfax, VA 22030

**MEP ENGINEER**  
 J.B. Wyble and Associates, P.A.  
 7950 Norfolk Ave., Bethesda, MD  
 301-654-1410

**FOOD SERVICE CONSULTANT**  
 JLA Corp  
 13031 US Highway  
 19N, Clearwater, FL 33764  
 727-470-7862

**PROJECT NO. 17054**  
**LOCH BAR HOUSTON**  
 4444 WESTHEIMER RD  
 HOUSTON, TX 77027  
 SUITE 110



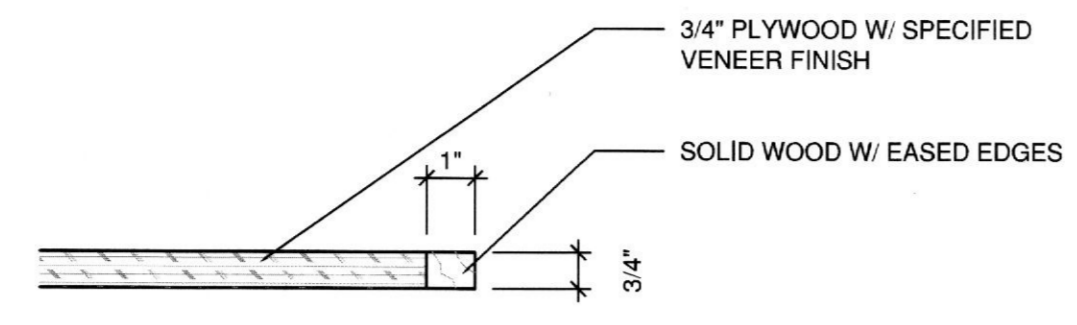
I CERTIFY THAT THESE DOCUMENTS WERE PREPARED OR APPROVED BY ME AND THAT I AM A DULY LICENSED ARCHITECT UNDER THE LAWS OF TEXAS  
 LICENSE NO. 26750 EXPIRATION DATE: 8/31/2018

REV	DATE	ISSUED FOR
	6/20/18	PERMIT SET

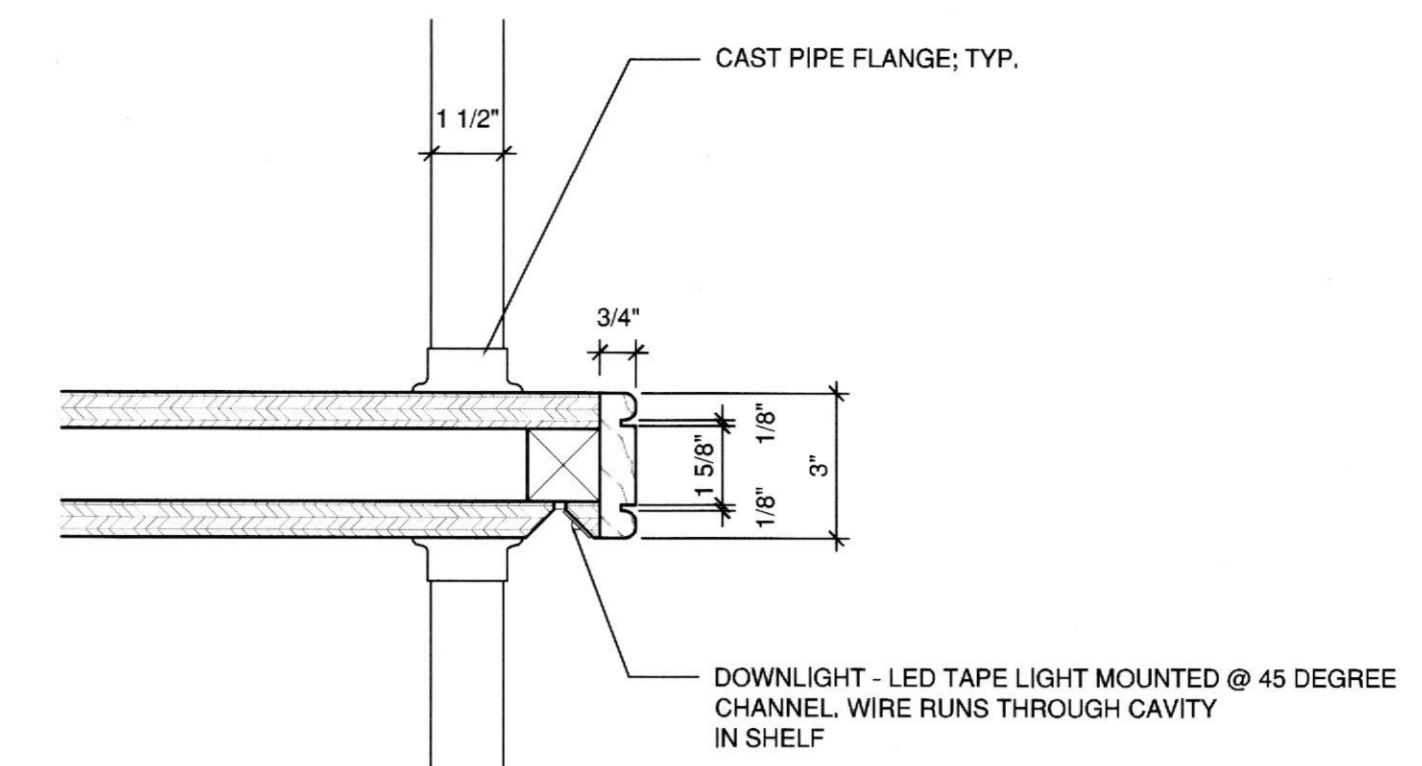
**DETAILS**

**ID8-6**

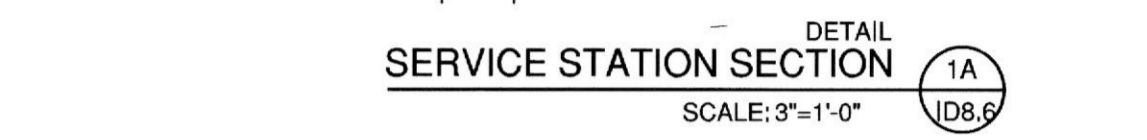
PRINTED: 6/21/18  
 © HapstakDemetriou+, pllc 2018



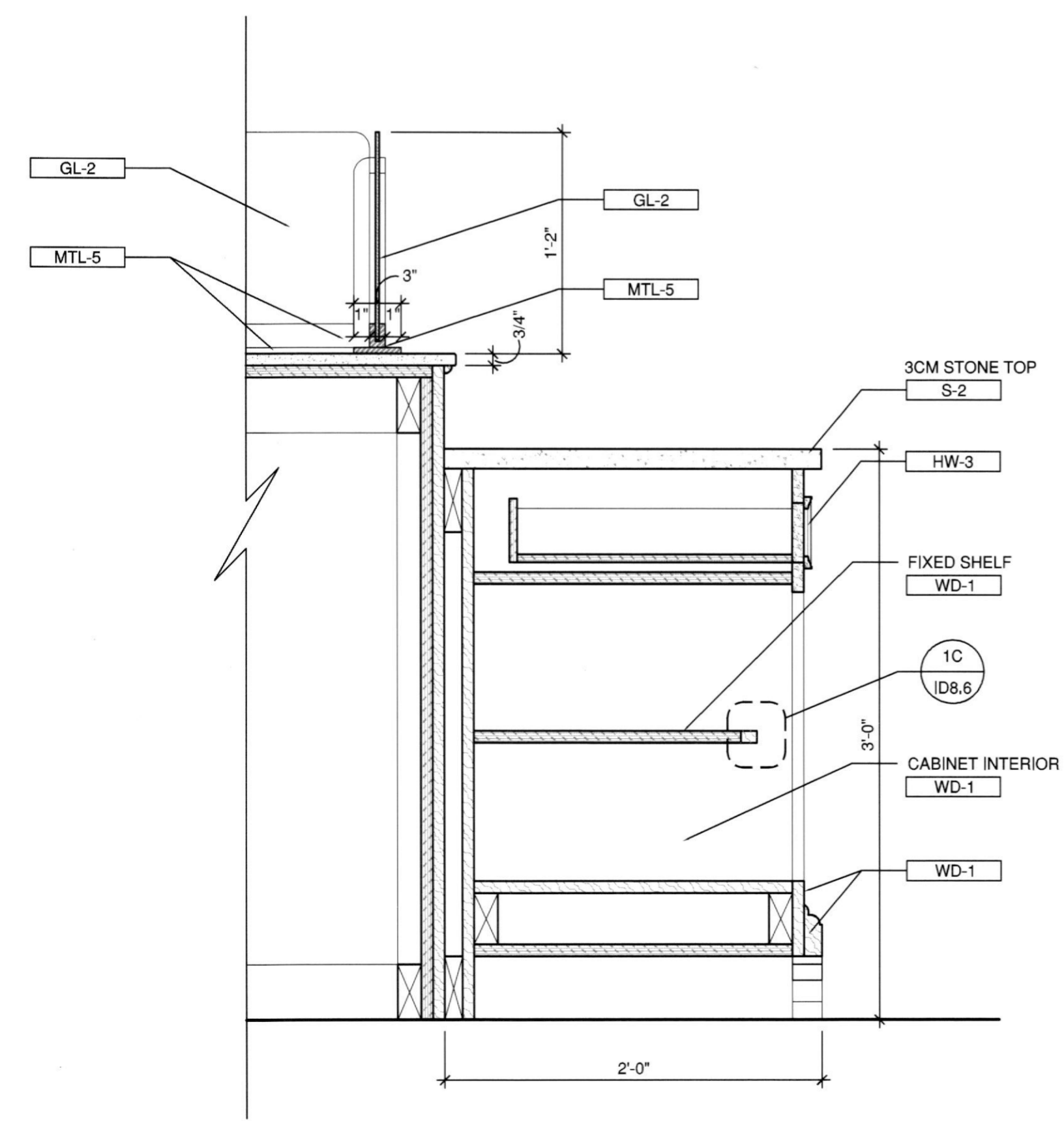
DETAIL  
**SERVICE STATION SECTION 1C**  
 SCALE: 3"=1'-0" ID8.6



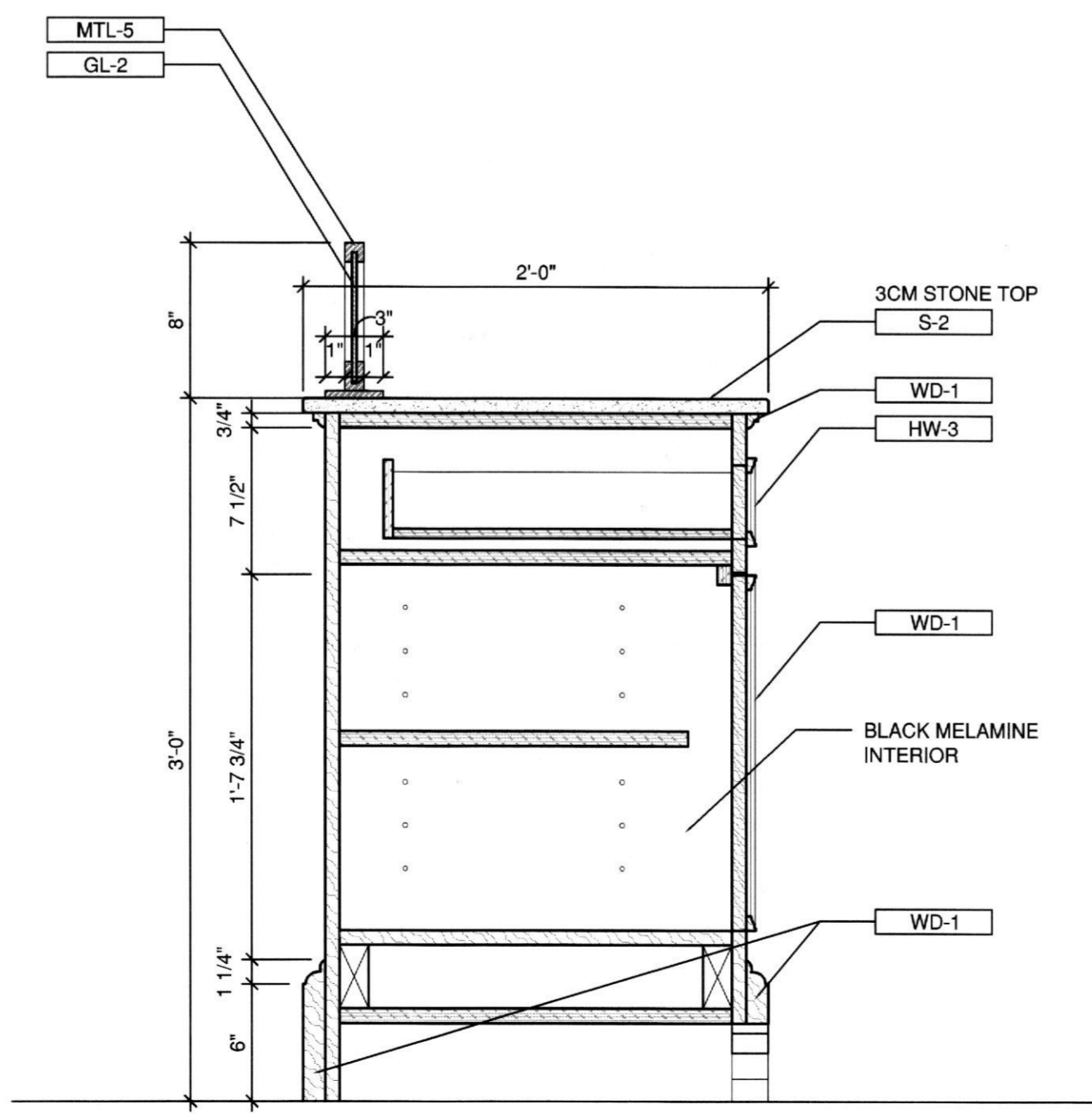
DETAIL  
**SERVICE STATION SECTION 1B**  
 SCALE: 3"=1'-0" ID8.6



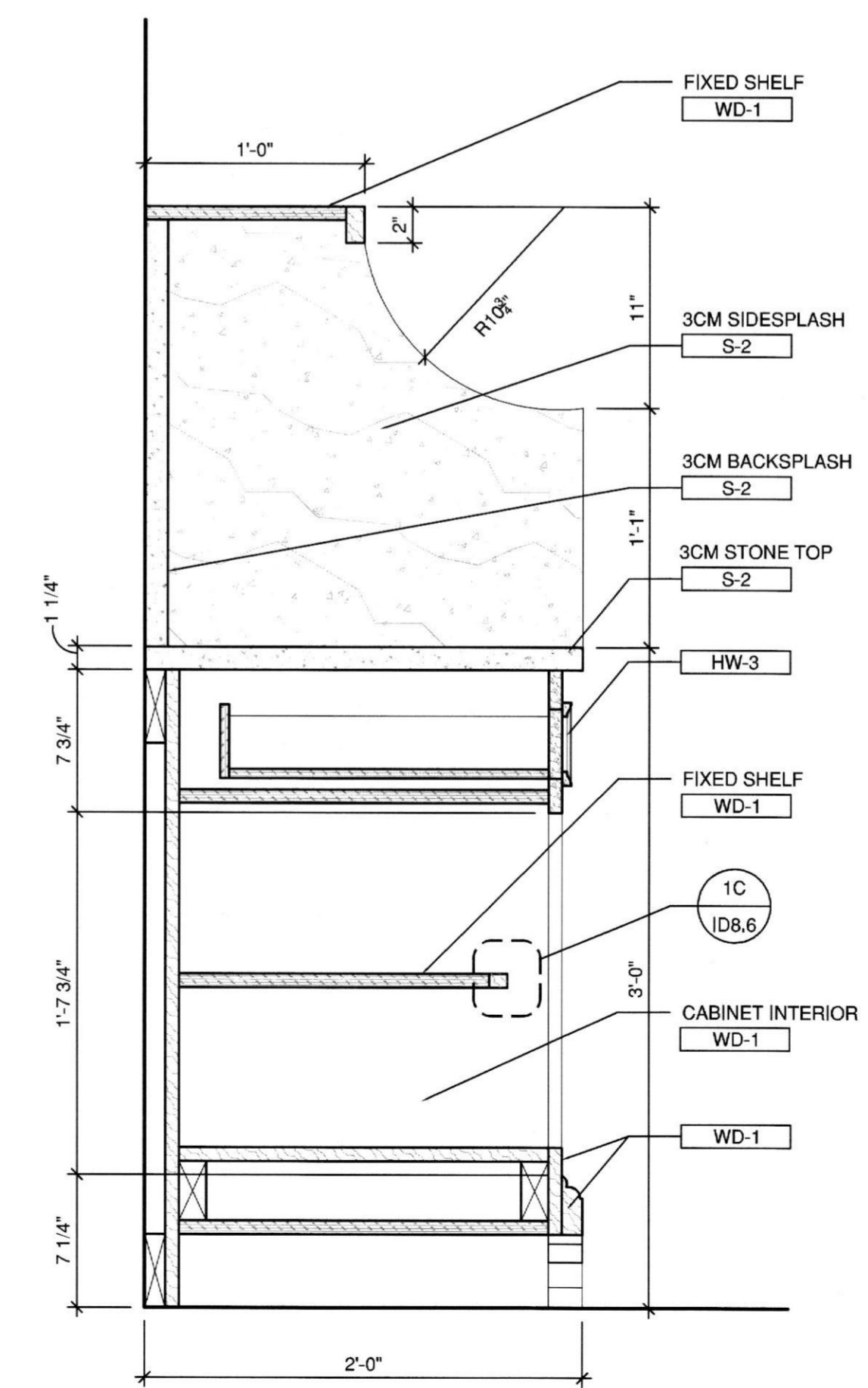
DETAIL  
**SERVICE STATION SECTION 1A**  
 SCALE: 3"=1'-0" ID8.6



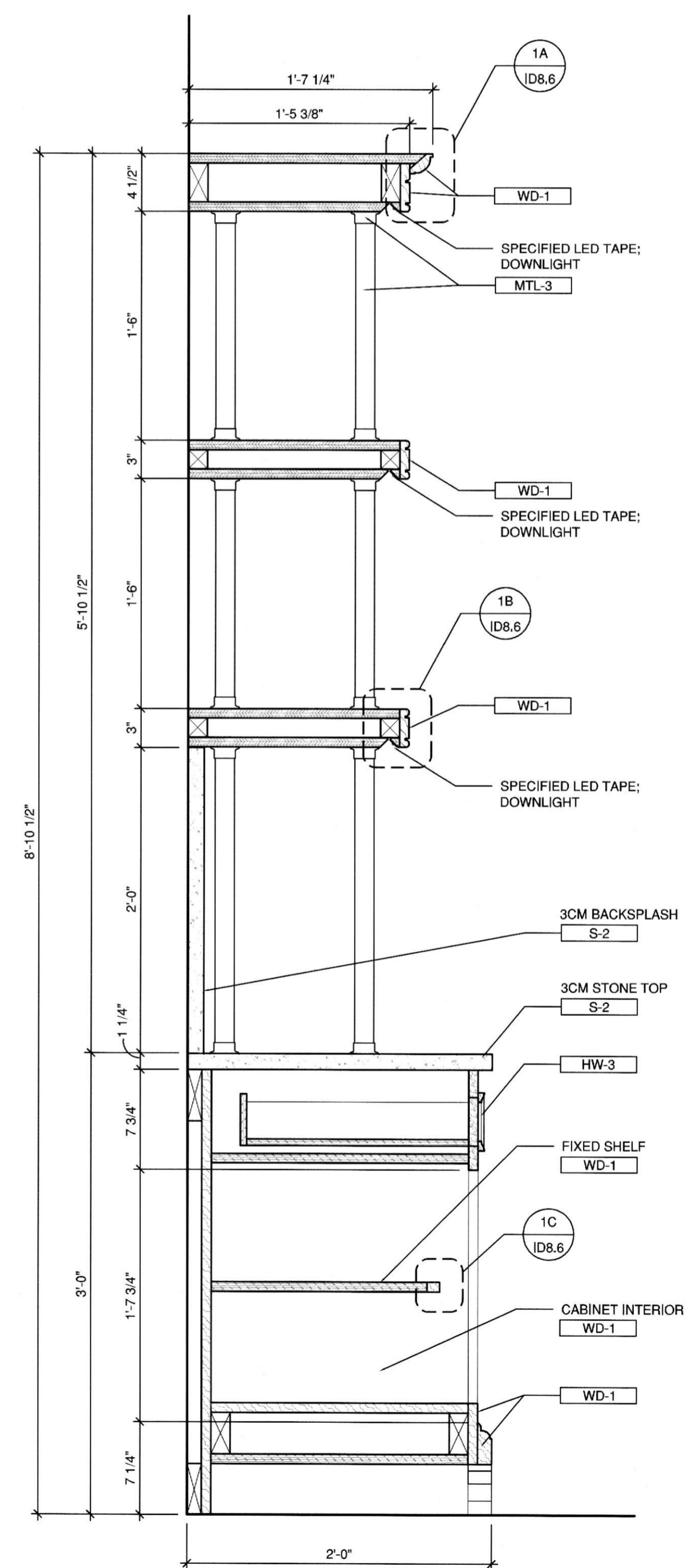
DETAIL  
**CENTRAL DINING POS STATION SECTION 4**  
 SCALE: 1-1/2"=1'-0" ID8.6



DETAIL  
**HOST STATION SECTION 3**  
 SCALE: 1-1/2"=1'-0" ID8.6



DETAIL  
**HALLWAY SERVICE STATION SECTION 2**  
 SCALE: 1-1/2"=1'-0" ID8.6



DETAIL  
**SERVICE STATION SECTION 1**  
 SCALE: 1-1/2"=1'-0" ID8.6