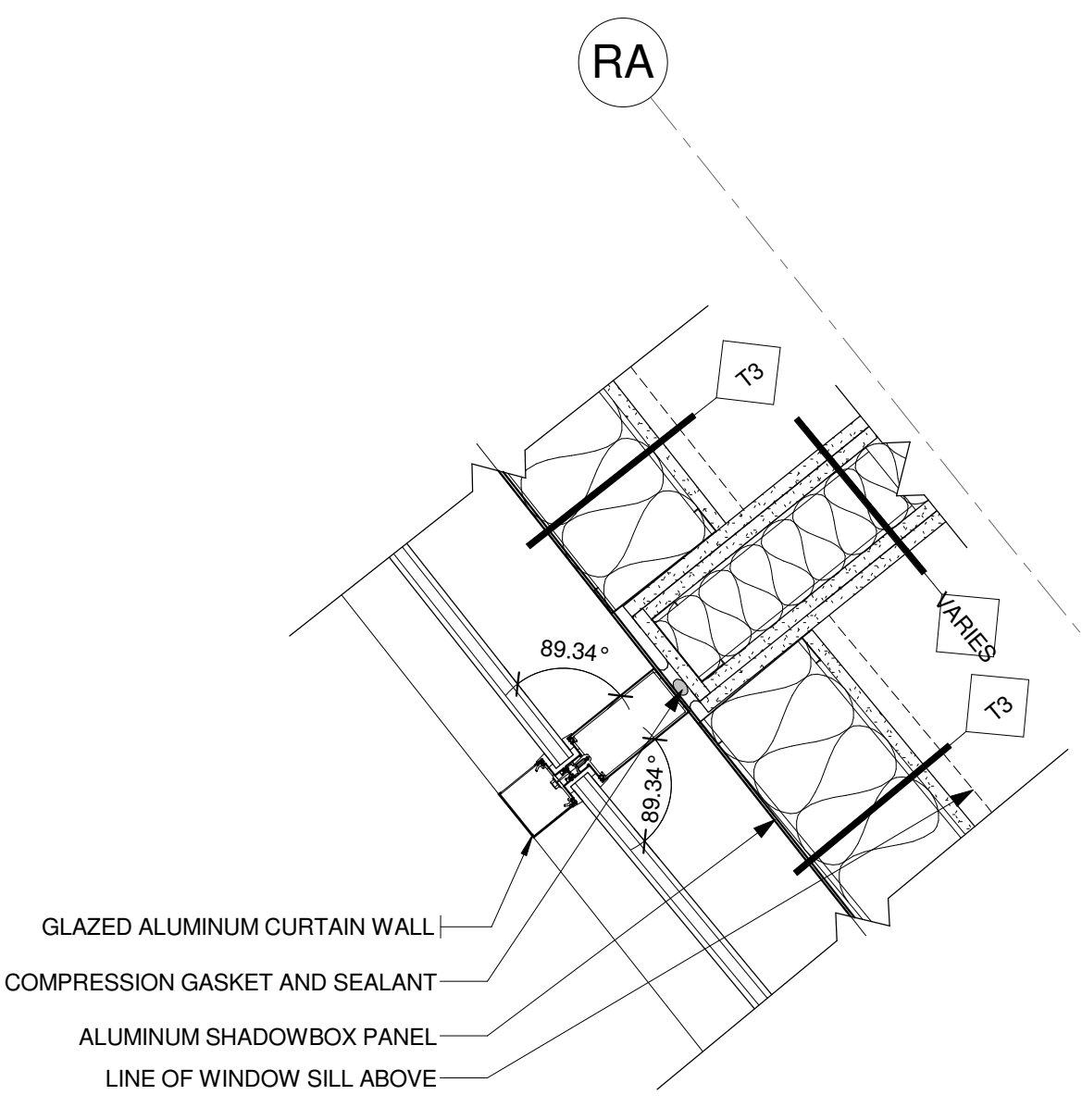
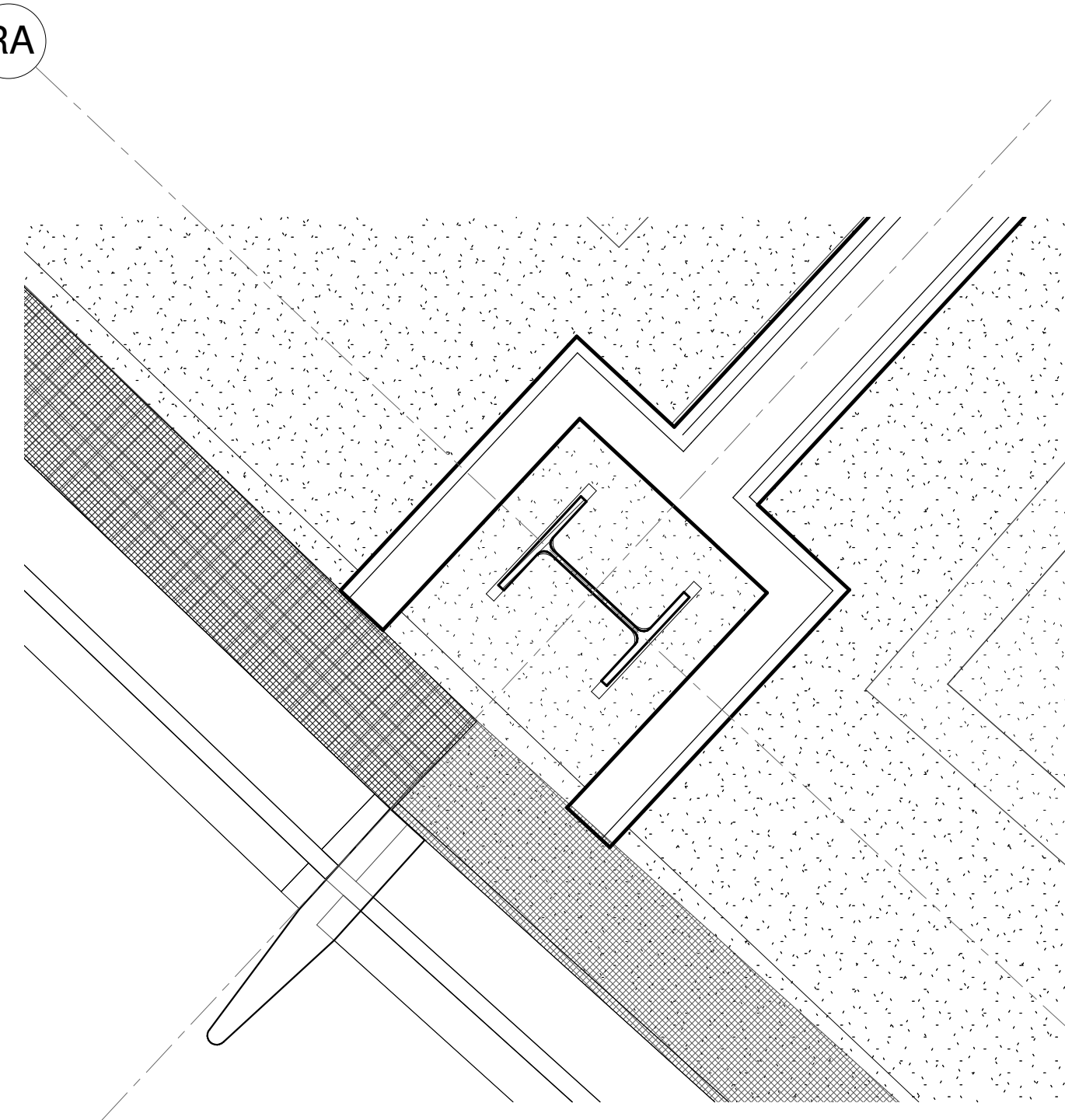


1 2 3 4 5 6 7 8 9 10 11 12

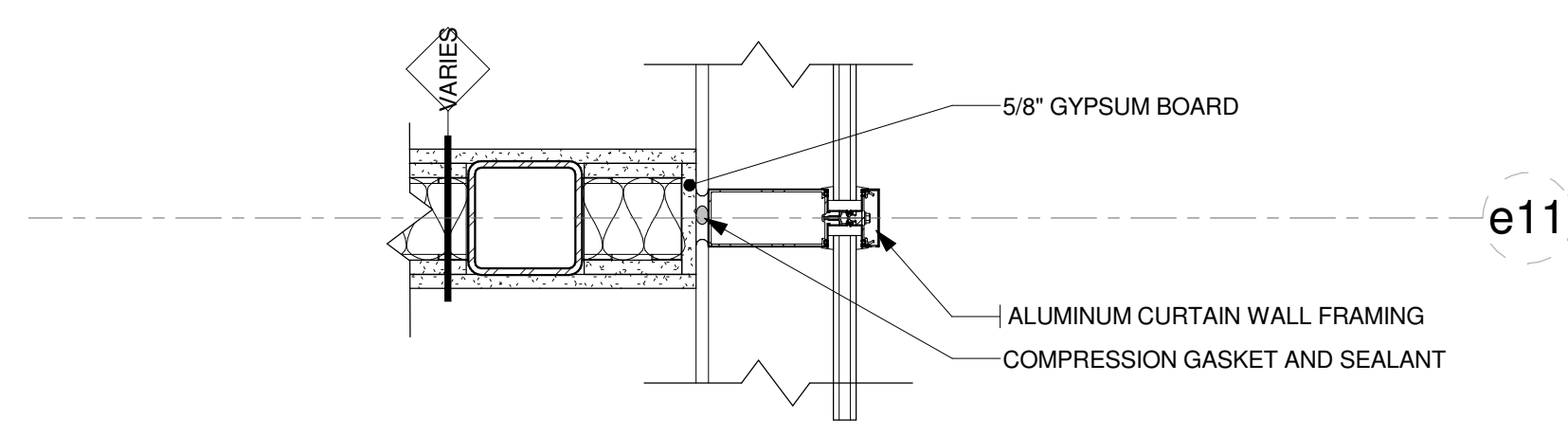
I
H
G
F
E
D
C
B
A



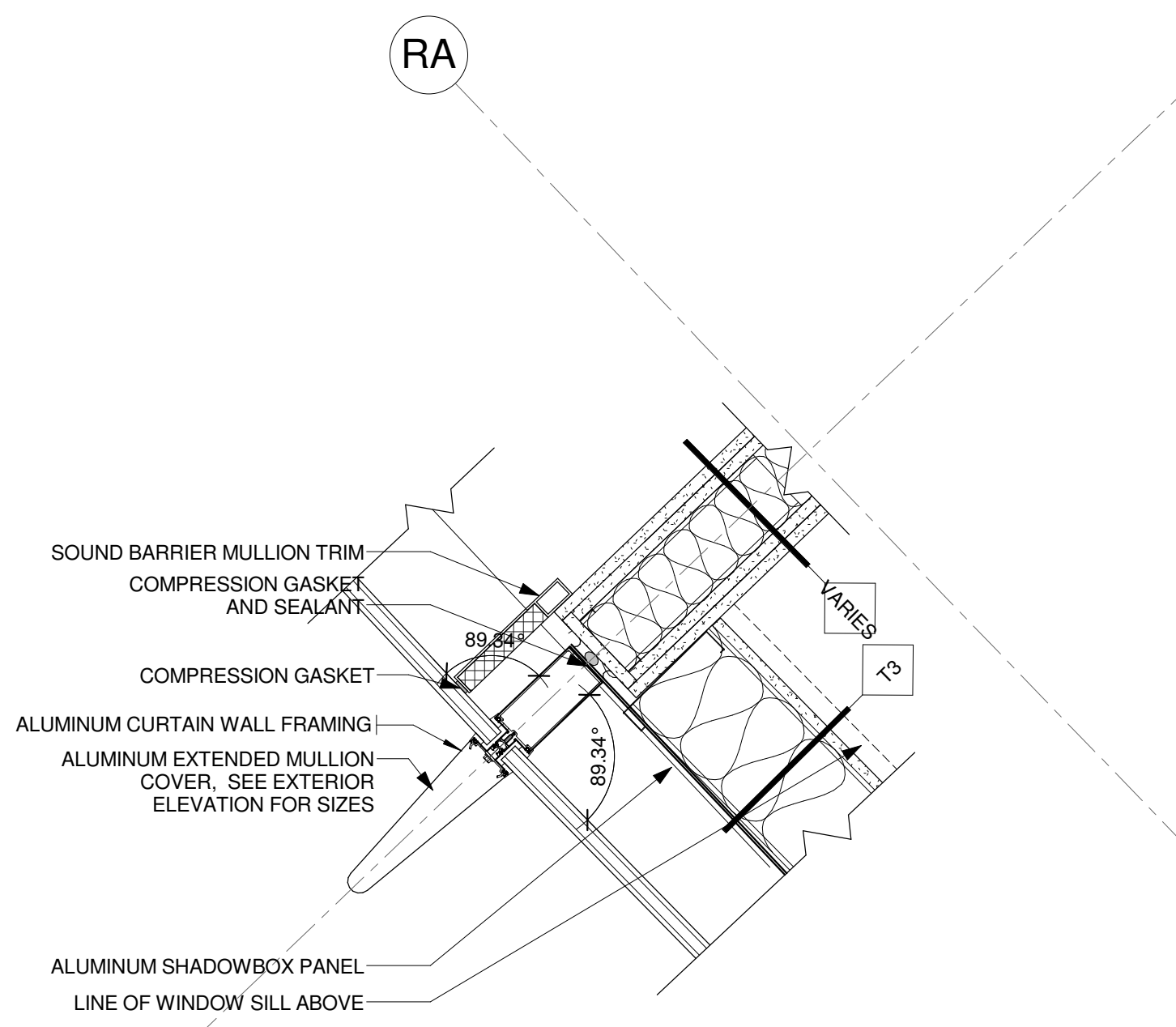
3 CW TO INT. PARTITION CONDITION 3
1 1/2" = 1'-0"



1 CW TO INT. PARTITION CONDITION 1
1 1/2" = 1'-0"



4 CW TO INT. PARTITION CONDITION 4
1 1/2" = 1'-0"



2 CW TO INT. PARTITION CONDITION 2
1 1/2" = 1'-0"

Chiang O'Brien ARCHITECTS

PROGRESS PRINT
NOT FOR CONSTRUCTION OR BIDDING

WARNING: It is a violation of New York State Law for any person, unless acting under the direction of a licensed Architect, to alter this document in any way. If a document bearing the seal of an Architect is altered, the altering Architect shall affix to such document his seal and the notation "altered by" followed by his signature, the date of such alteration, and a specific description of the alteration.

REVISION #	REVISION DATE

50% Construction Documents
University Health Services Facility
Cornell University
Ithaca, New York

DATE	1 JULY 2014
PROJECT #	1303
BUILDING #	2704
DRAWN BY	RV
SCALE	1 1/2" = 1'-0"



EXTERIOR CURTIANWALL DETAILS
IN PROGRESS

A504

1 2 3 4 5 6 7 8 9 10 11 12