

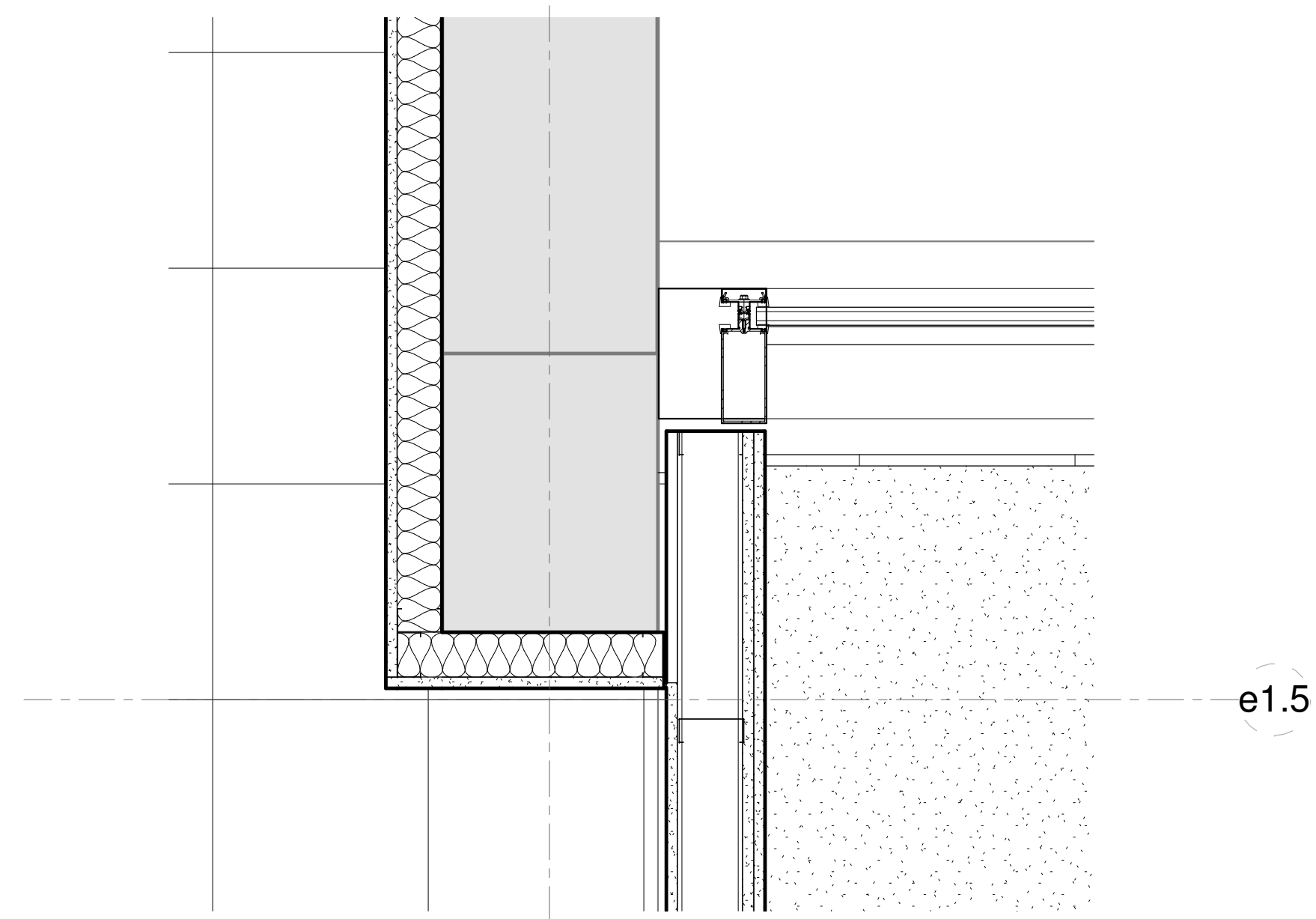
WARNING: It is a violation of New York State Law for any person, unless acting under the direction of a licensed Architect, to alter this document in any way. If a document bearing the seal of an Architect is altered, the altering Architect shall affix to such document his seal and the notation "altered by" followed by his signature, the date of such alteration, and a specific description of the alteration.

REVISION #	REVISION DATE

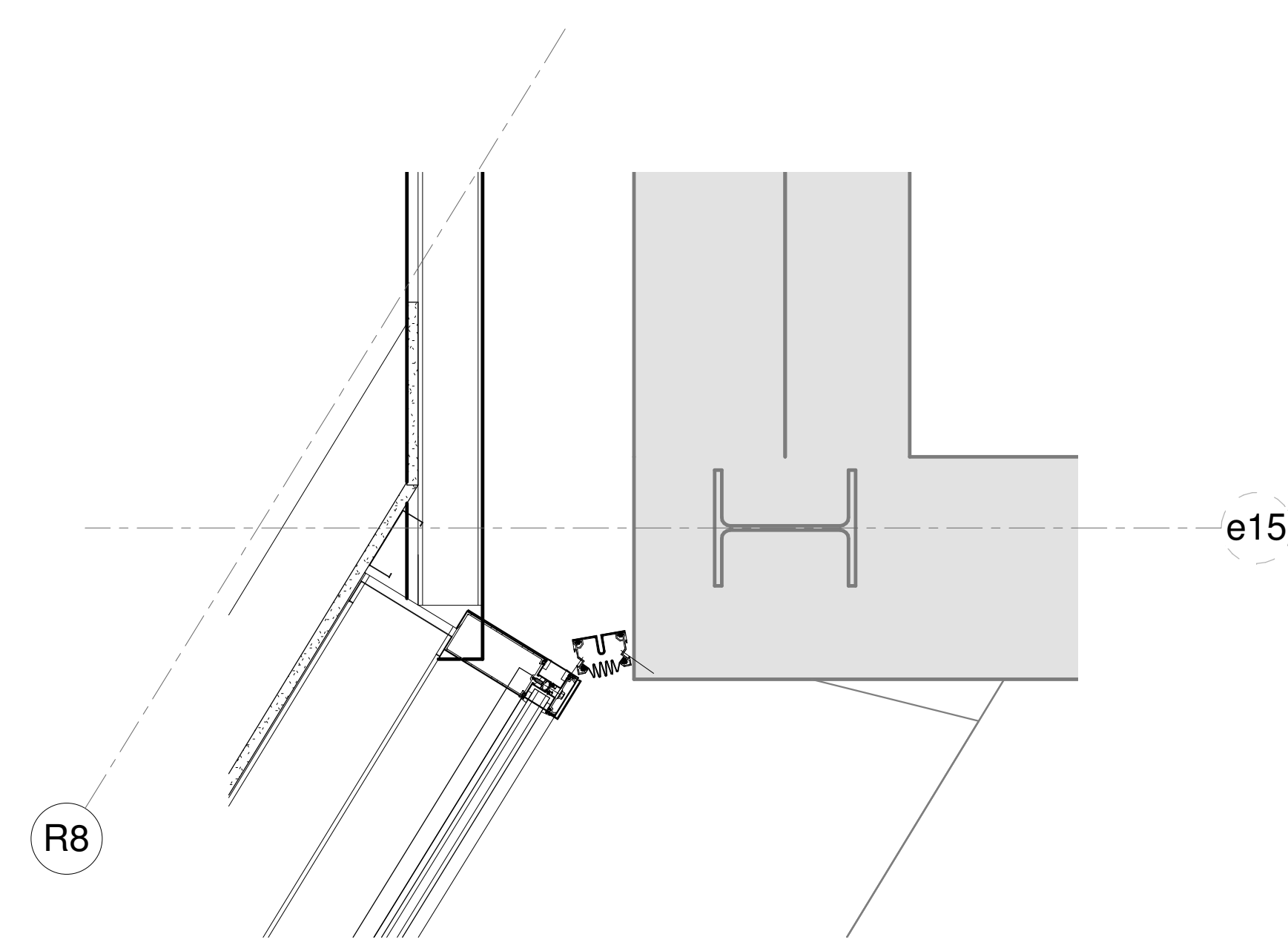
DATE	1 JULY 2014
PROJECT #	1303
BUILDING #	2704
DRAWN BY	RV
SCALE	1 1/2" = 1'-0"

EXTERIOR
CURTAINWALL
DETAILS
IN PROGRESS

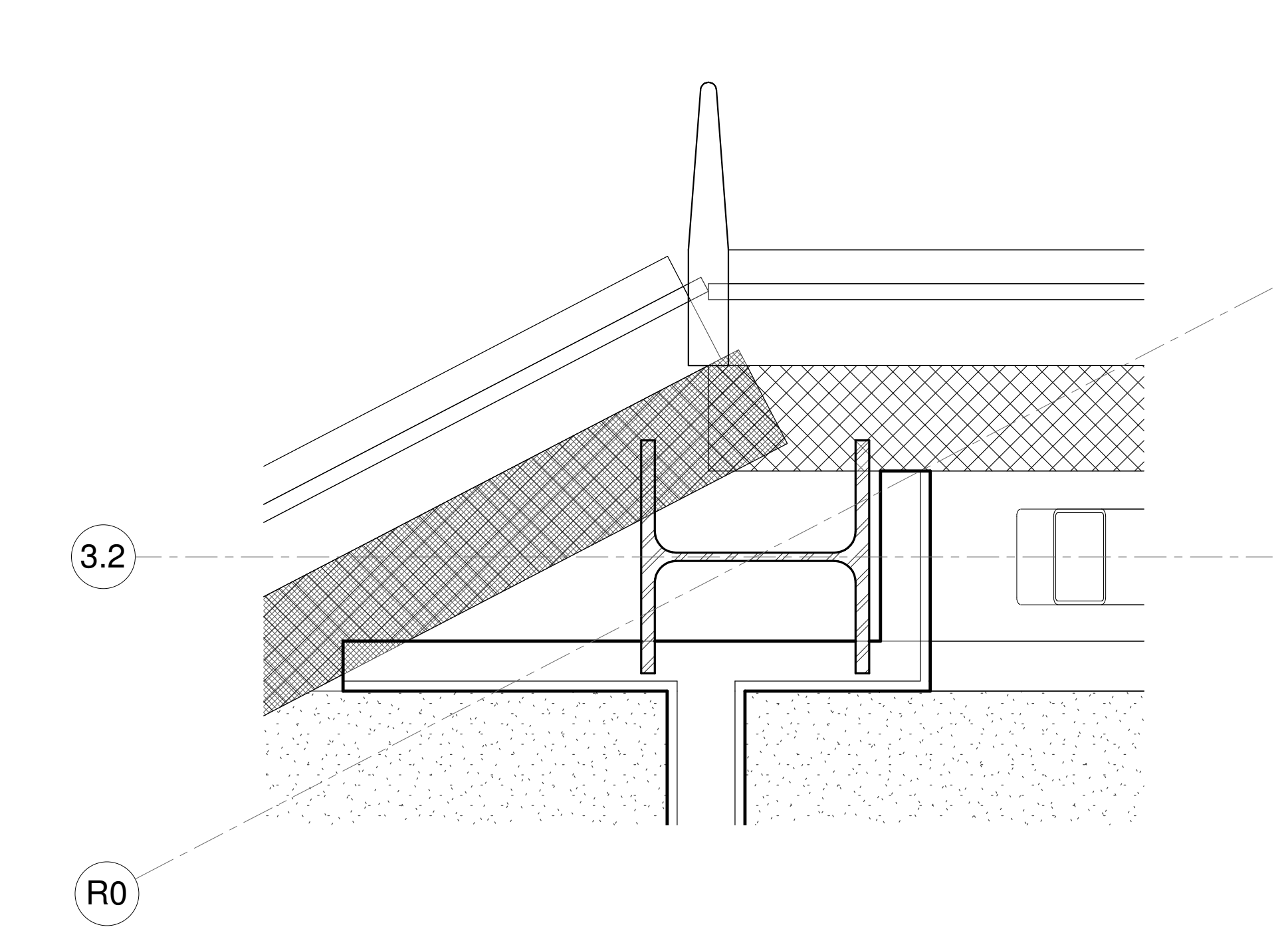
A505



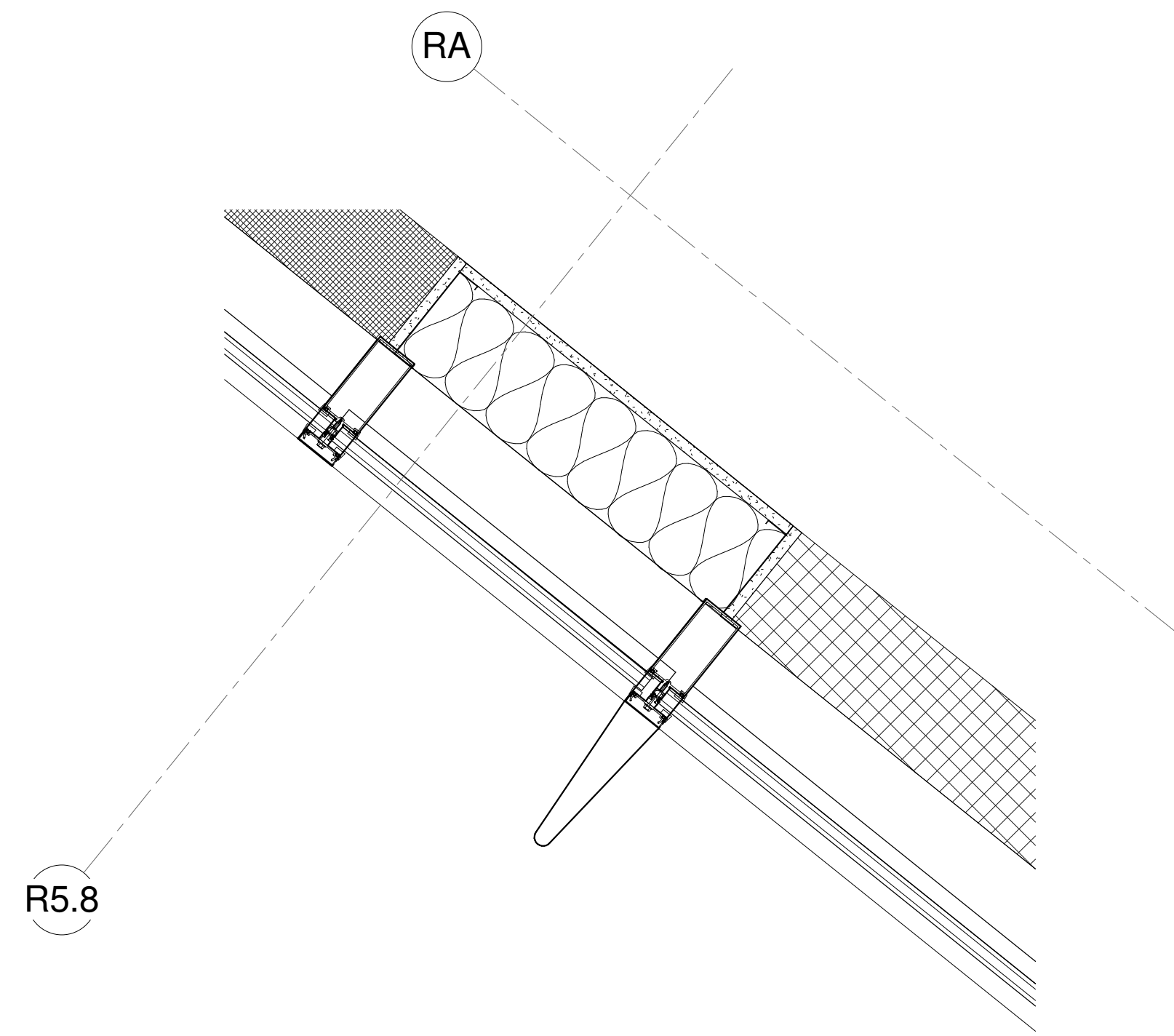
10 DETAIL @ CURTAINWALL AND WEST WING
1 1/2" = 1'-0"



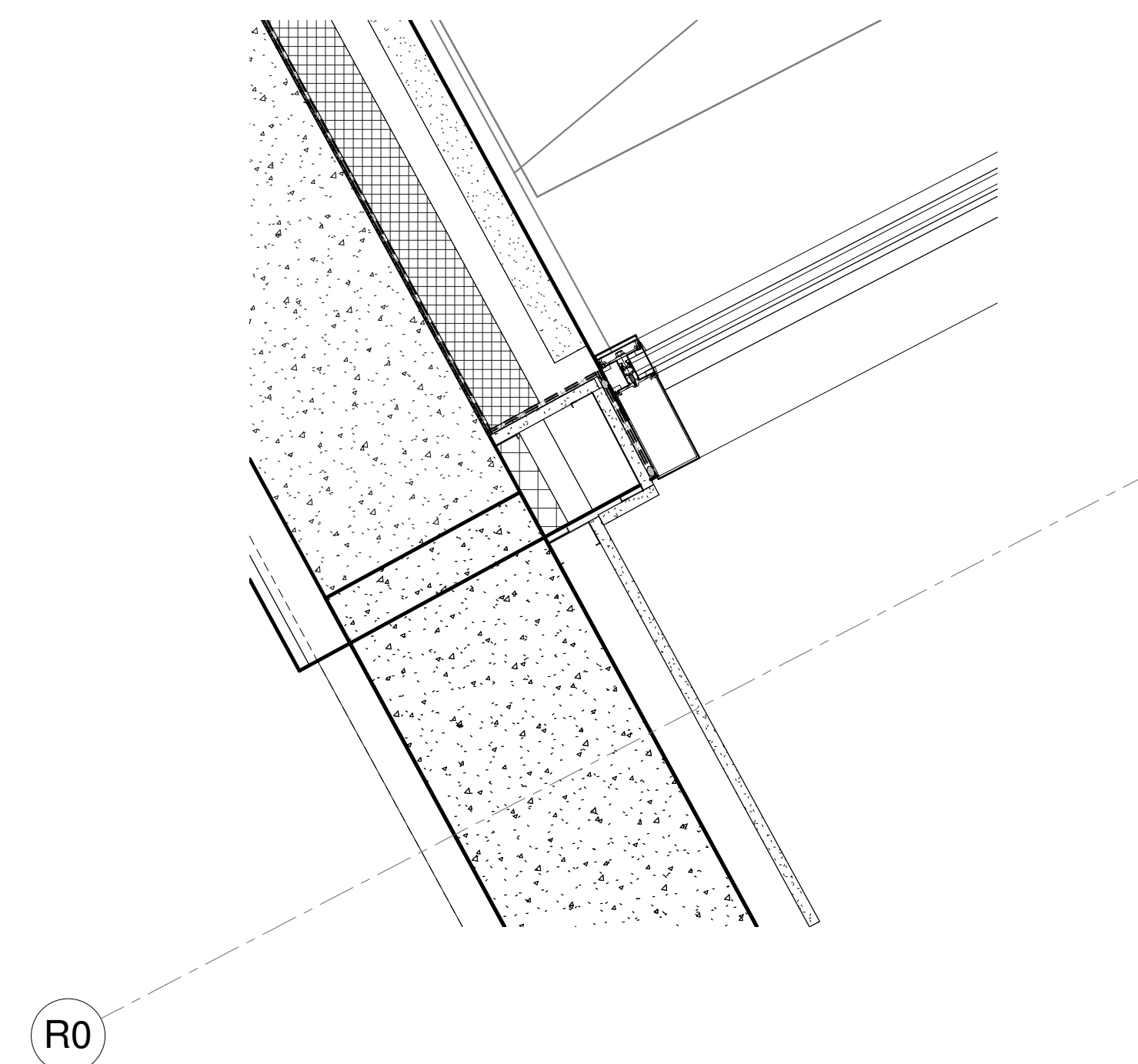
7 DETAIL @ CURTAINWALL AND SOUTH WING EXPANSION JOINT
1 1/2" = 1'-0"



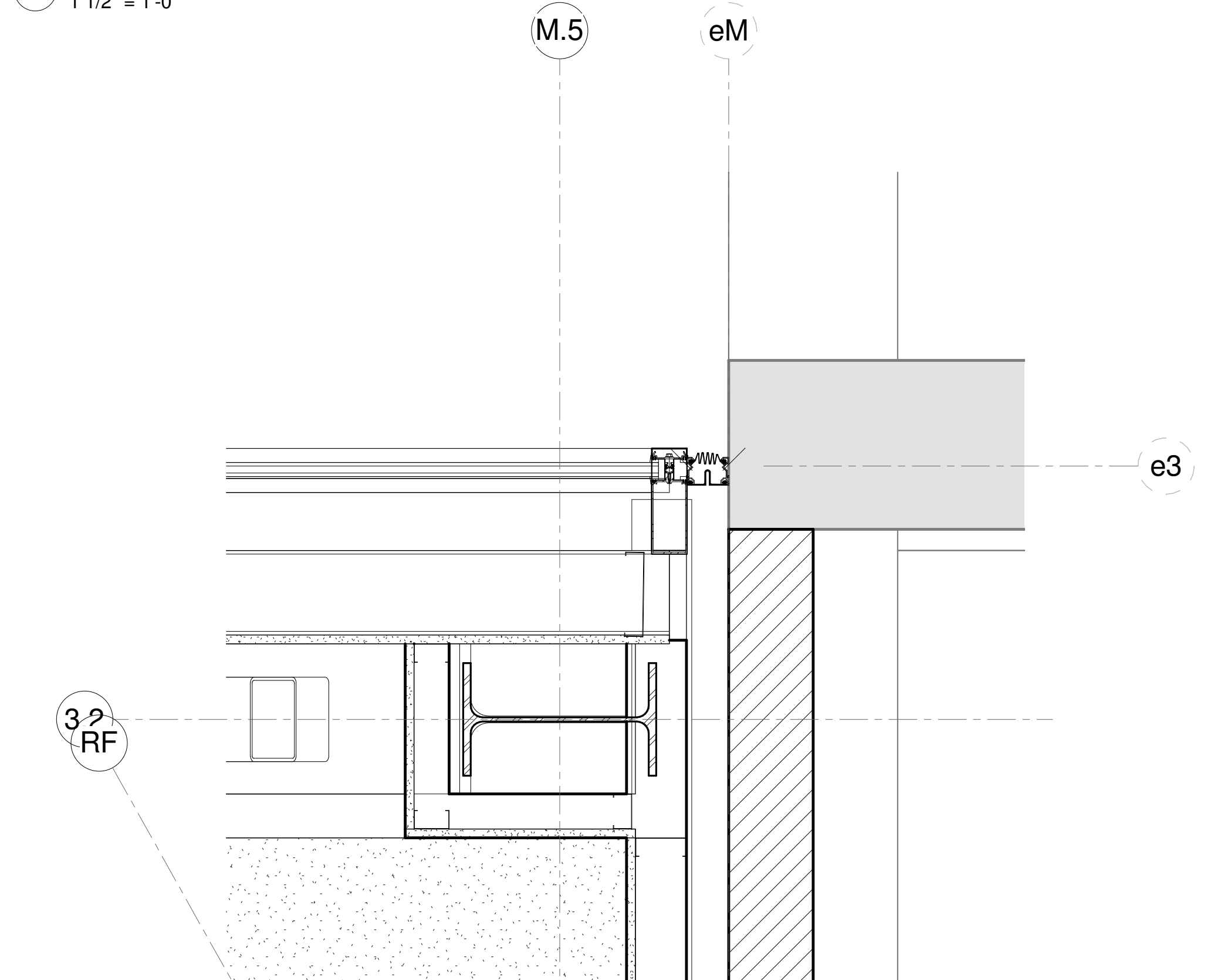
12 DETAIL @ CURTAINWALL MULLION ANGLE
1 1/2" = 1'-0"



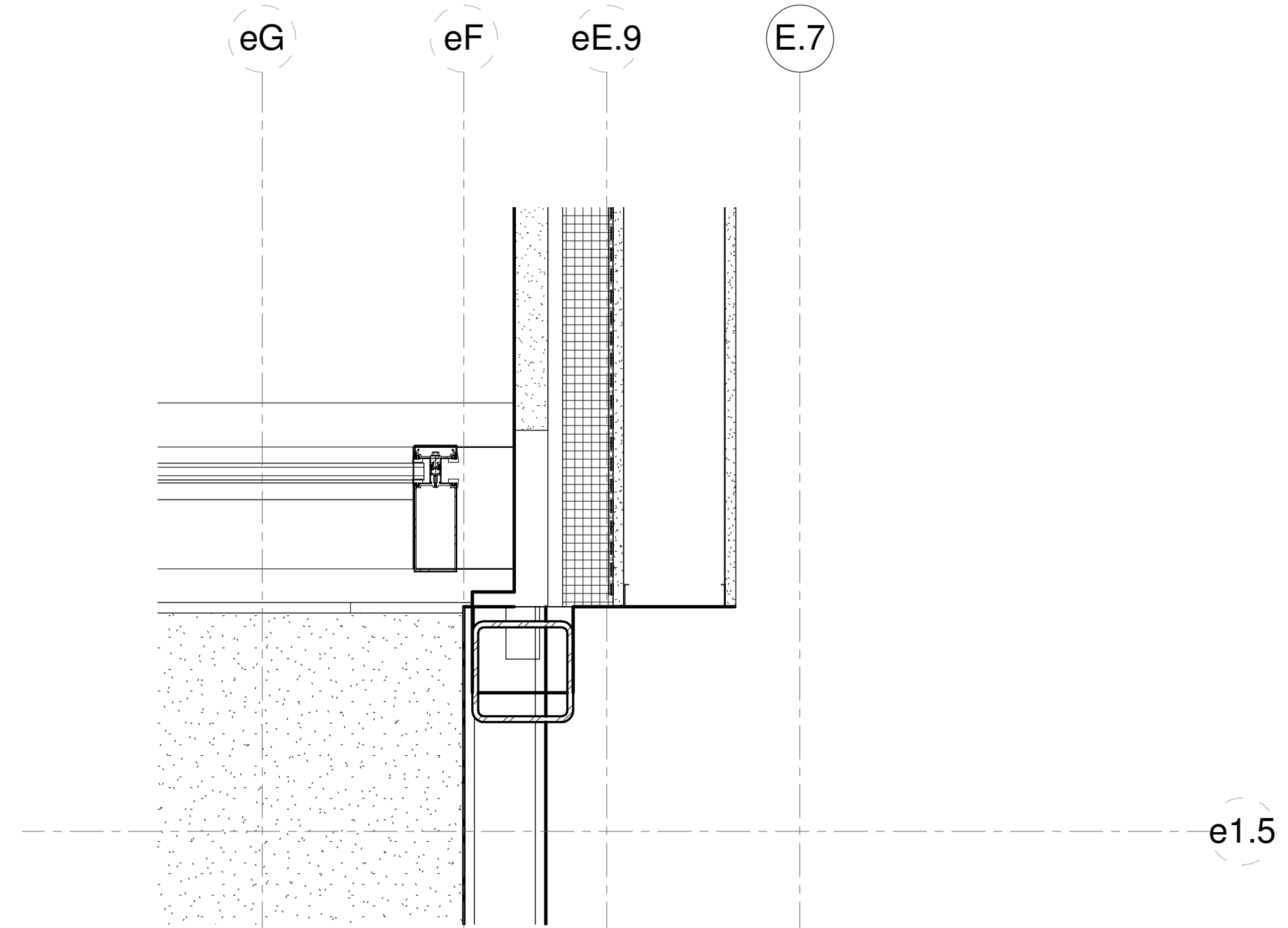
13 TYPICAL EXTENDED MULLION CAP
1 1/2" = 1'-0"



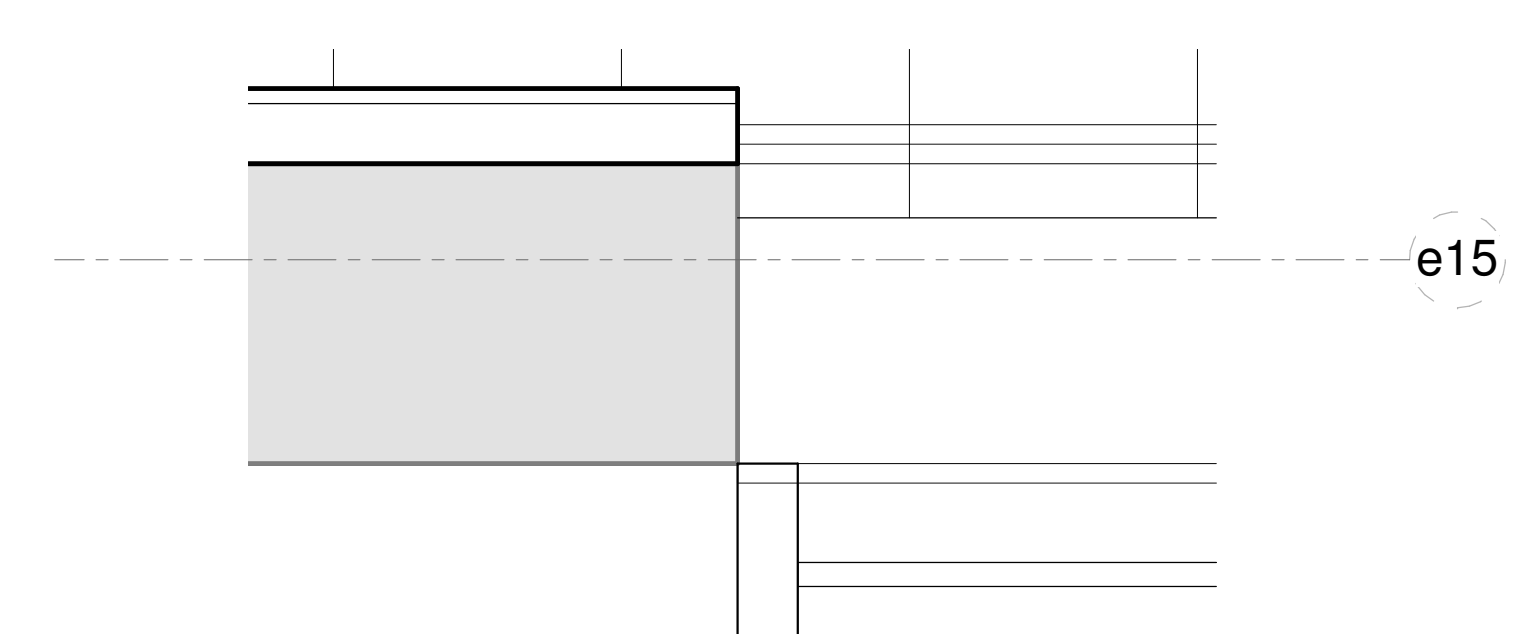
5 DETAIL @ CURTAINWALL AND LIMESTONE PANEL 1
1 1/2" = 1'-0"



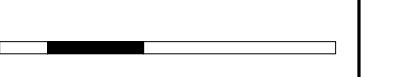
11 DETAIL @ CURTAINWALL AND WEST WING EXPANSION JOINT
1 1/2" = 1'-0"



6 DETAIL @ CURTAINWALL AND LIMESTONE PANEL 2
1 1/2" = 1'-0"



9 DETAIL @ CURTAINWALL AND SOUTHWING STONE VENEER 1
1 1/2" = 1'-0"



1 2 3 4 5 6 7 8 9 10 11 12

I
H
G
F
E
D
C
B
A

1 2 3 4 5 6 7 8 9 10 11 12