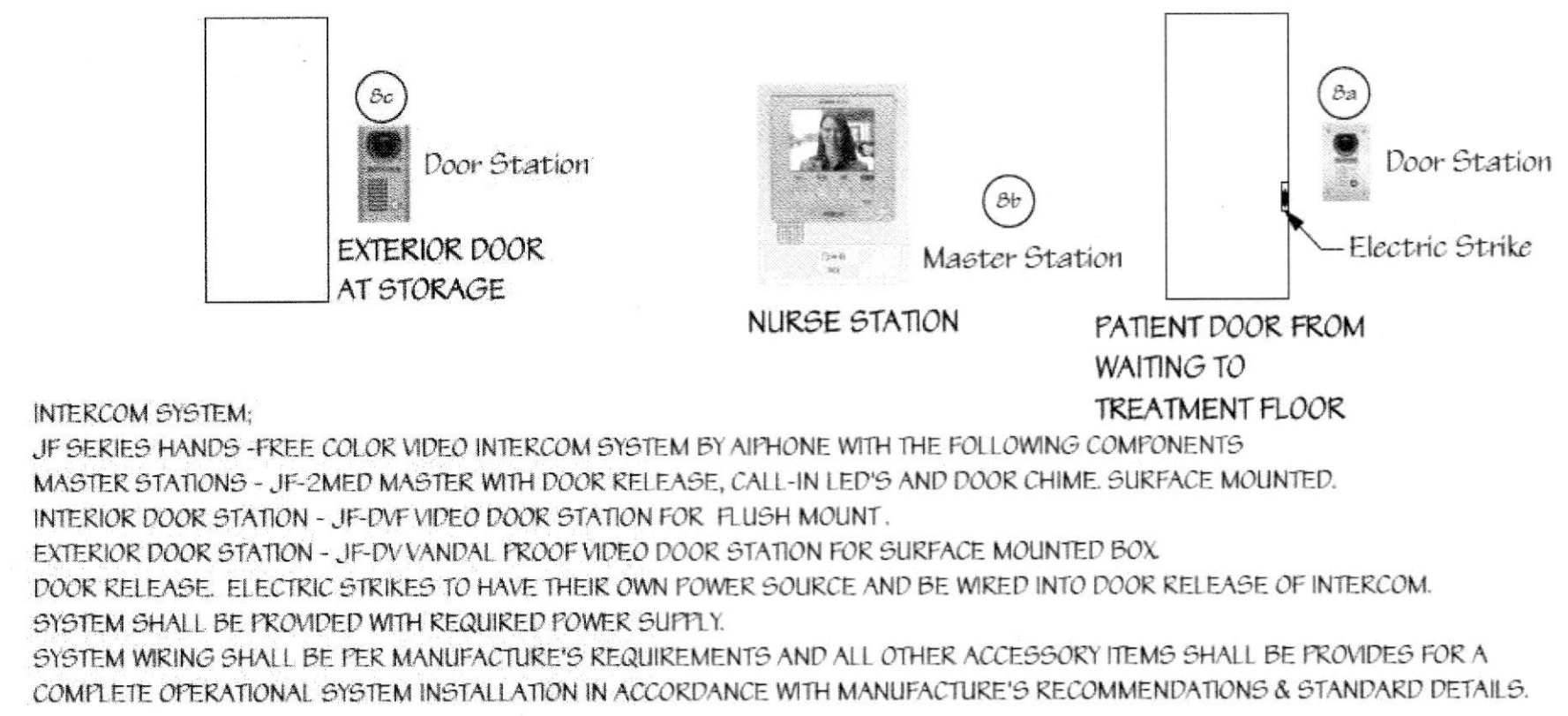
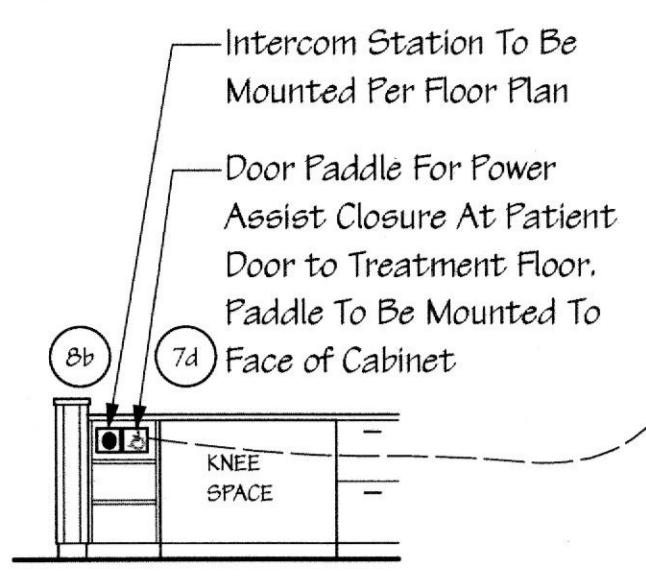


THIS DRAWING IS THE PROPERTY OF INSYNC ARCHITECTURAL DESIGNS INC., UNAUTHORIZED USE OF ANY KIND, INCLUDING USE ON OTHER PROJECTS, IS PROHIBITED.



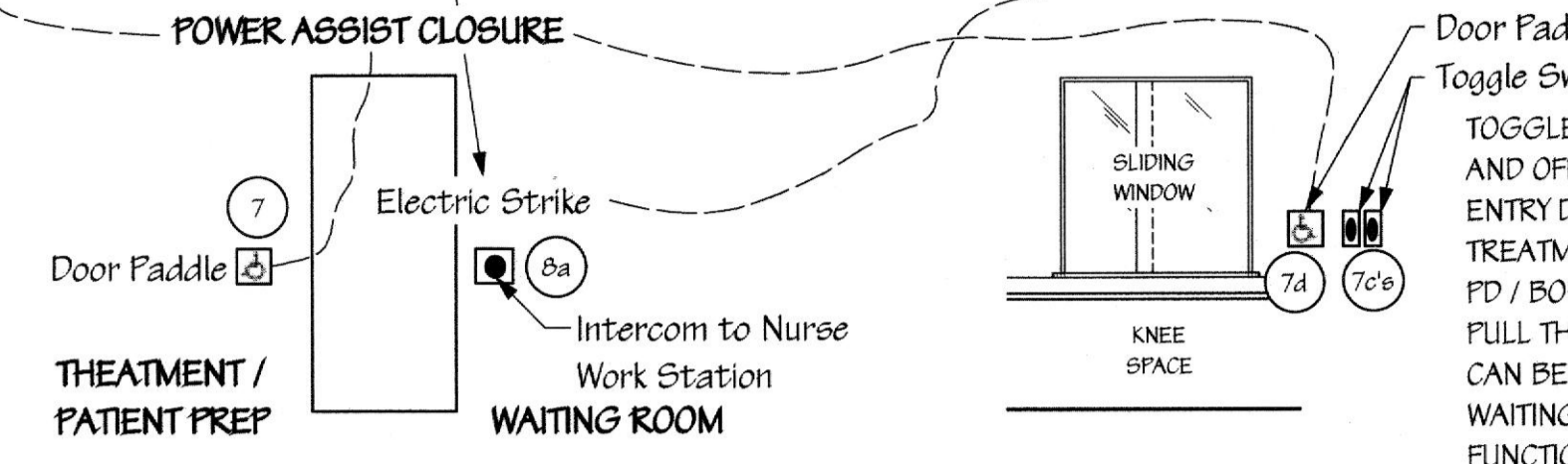
INTERCOM SYSTEM: JF-SERIES HANDS-FREE, COLOR VIDEO INTERCOM SYSTEM BY AIPHONE WITH THE FOLLOWING COMPONENTS: MASTER STATIONS - JF-2MED MASTER WITH DOOR RELEASE, CALL-IN LEDS AND DOOR CHIME, SURFACE MOUNTED. INTERIOR DOOR STATION - JF-DV VIDEO DOOR STATION FOR FLUSH MOUNT. EXTERIOR DOOR STATION - JF-DV VANDAL PROOF VIDEO DOOR STATION FOR SURFACE MOUNTED BOX DOOR RELEASE. ELECTRIC STRIKES TO HAVE THEIR OWN POWER SOURCE AND BE WIRED INTO DOOR RELEASE OF INTERCOM SYSTEM. SYSTEM SHALL BE PROVIDED WITH REQUIRED POWER SUPPLY. SYSTEM WIRING SHALL BE PER MANUFACTURER'S REQUIREMENTS AND ALL OTHER ACCESSORY ITEMS SHALL BE PROVIDED FOR A COMPLETE OPERATIONAL SYSTEM INSTALLATION IN ACCORDANCE WITH MANUFACTURER'S RECOMMENDATIONS & STANDARD DETAILS.

2C INTERCOM SYSTEM REQUIREMENTS Scale: 1/4" = 1'-0"

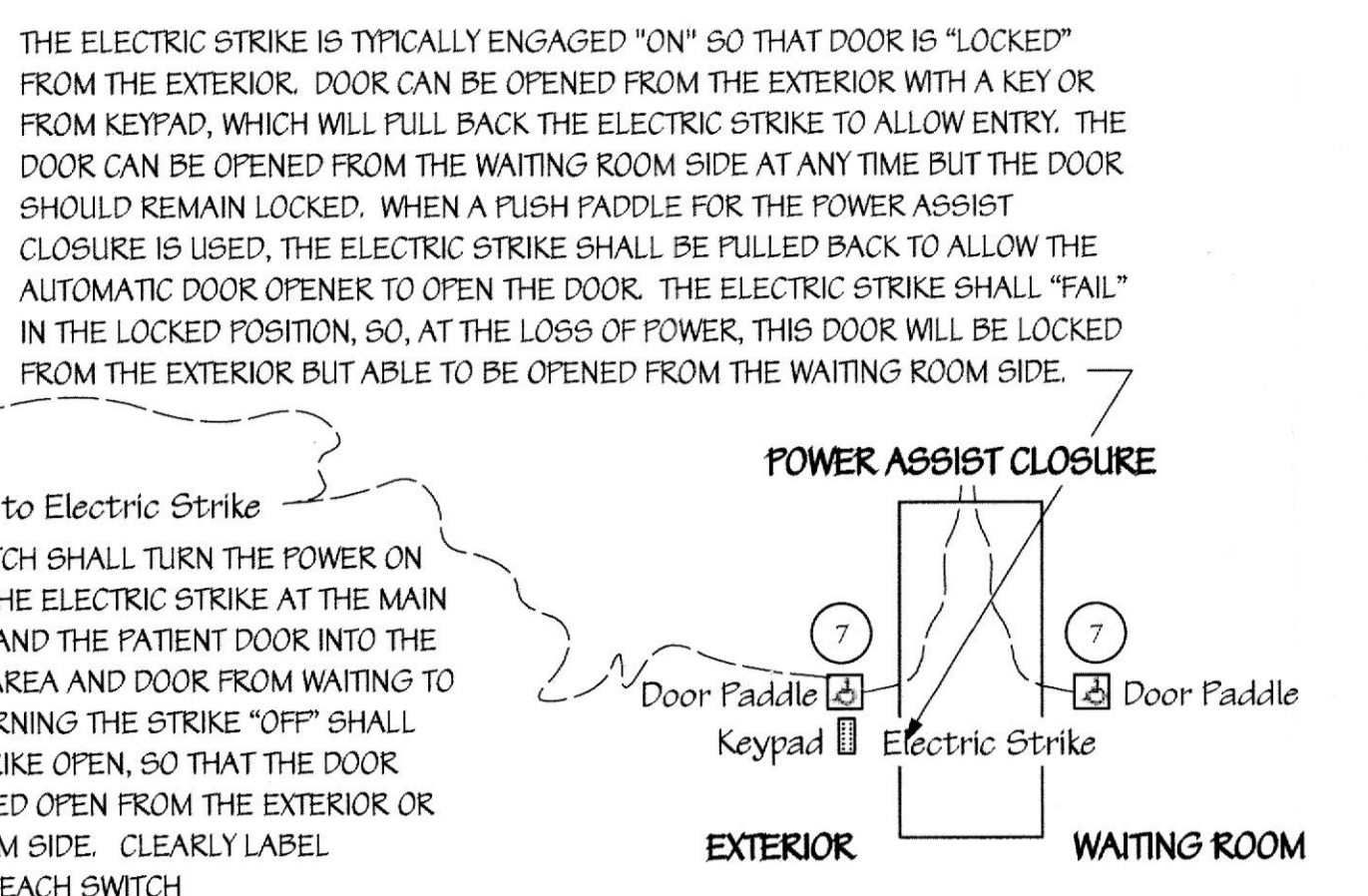


NURSE WORK AREA ON TREATMENT FLOOR

DOOR PADDLES MAY NOT BE REQUIRED AT NURSE STATION AND BUSINESS OFFICE IF THE POWER ASSIST CLOSURES CAN BE CONTROLLED BY THE INTERCOM SYSTEM. COORDINATE BETWEEN CLOSURES AND INTERCOM SYSTEM.

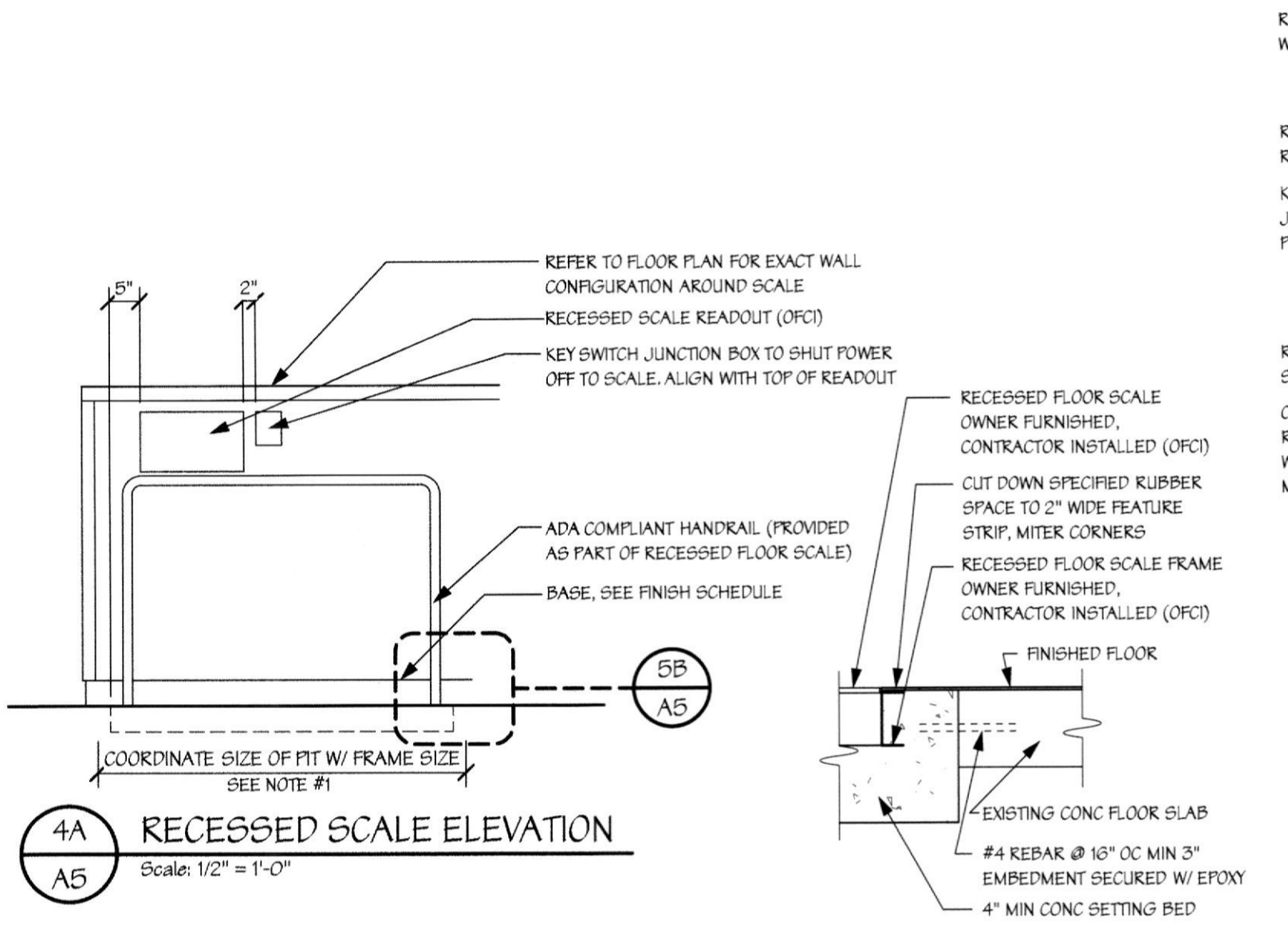


PATIENT DOOR FROM WAITING TO TREATMENT FLOOR

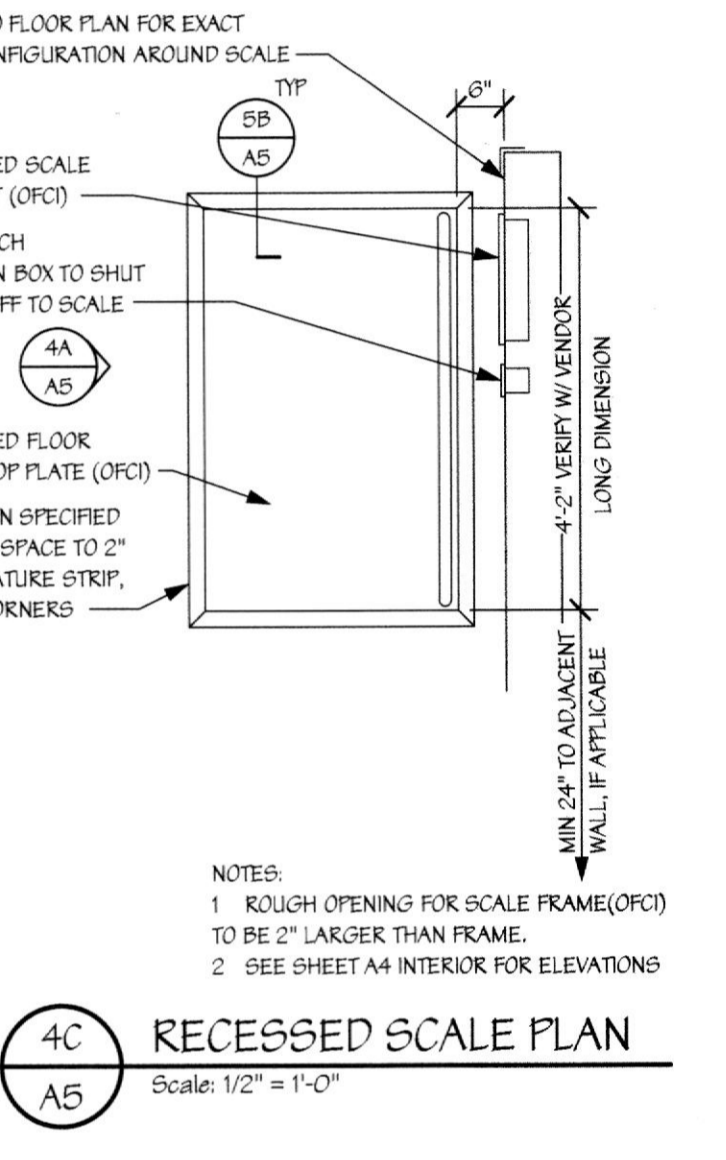


MAIN PATIENT ENTRY DOOR INTO CLINIC

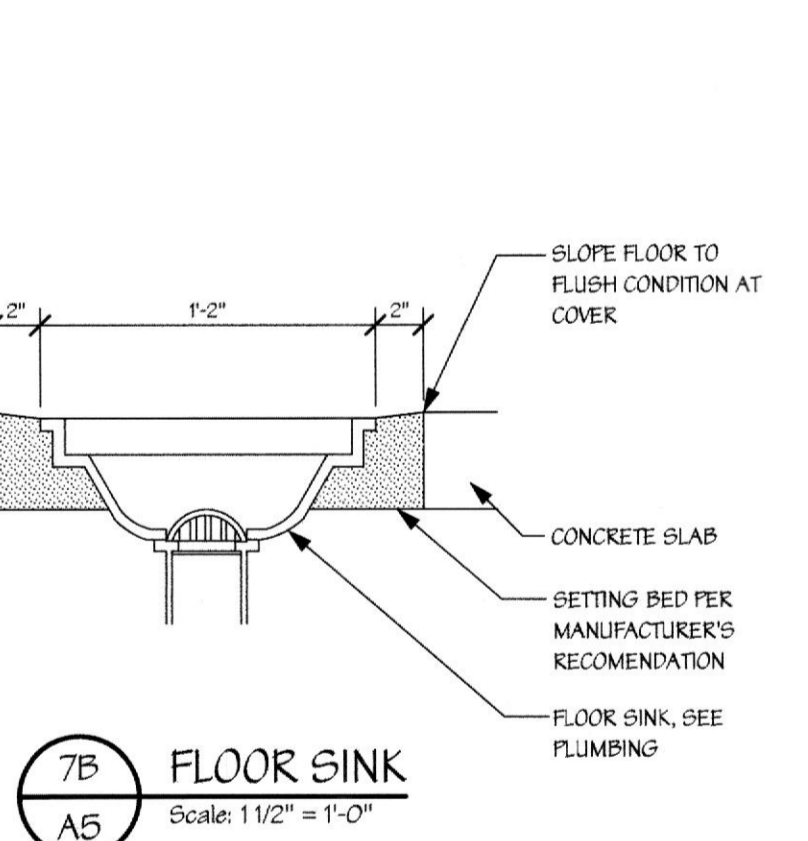
2F POWER ASSIST CLOSURES CONTROL DIAGRAMS Scale: 1/4" = 1'-0"



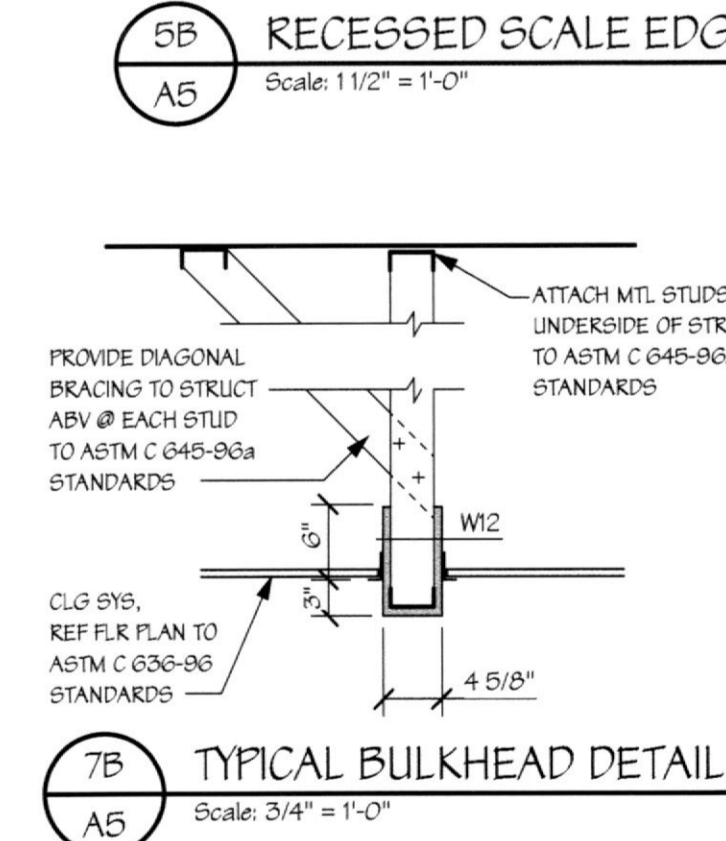
4A RECESSED SCALE ELEVATION Scale: 1/2" = 1'-0"



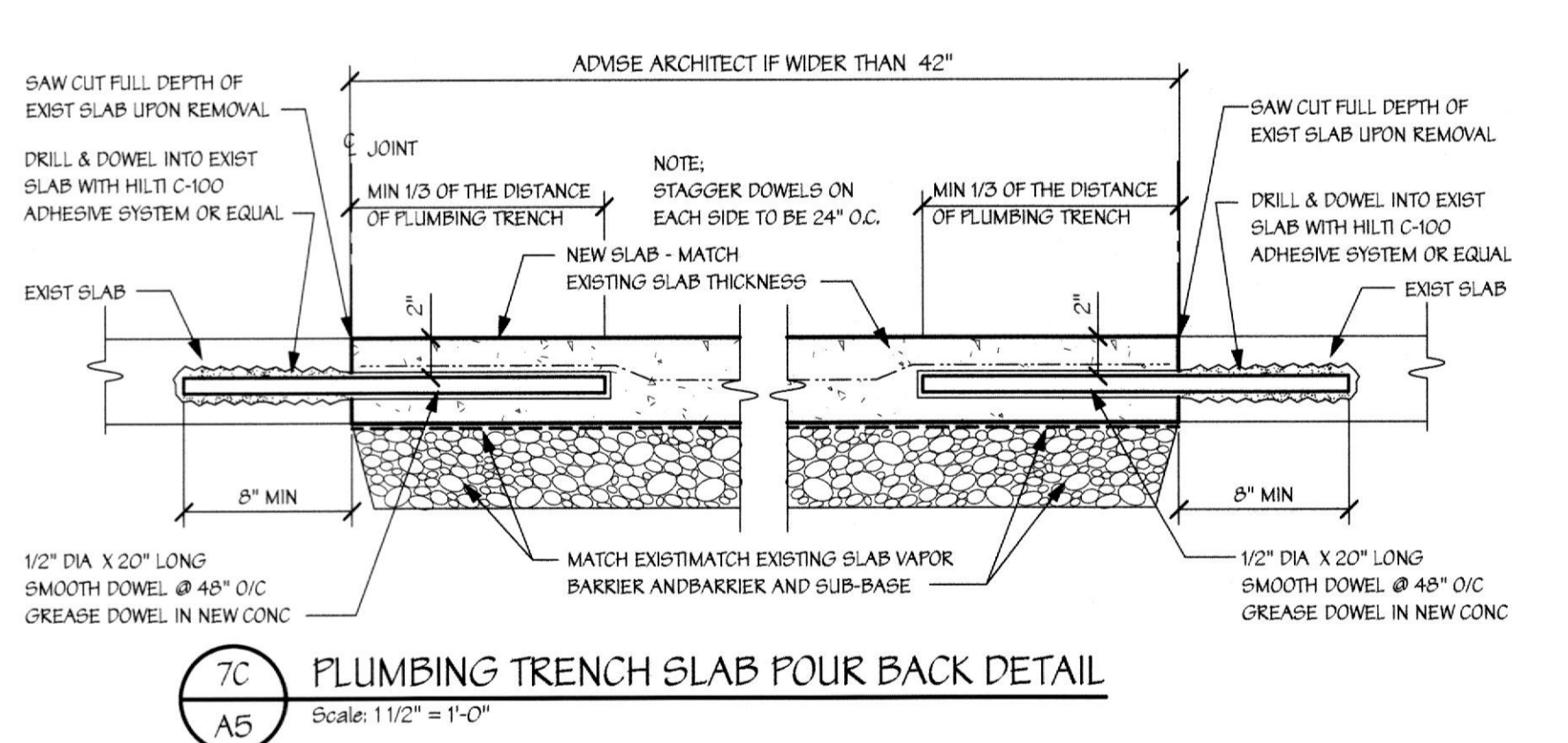
4C RECESSED SCALE PLAN Scale: 1/2" = 1'-0"



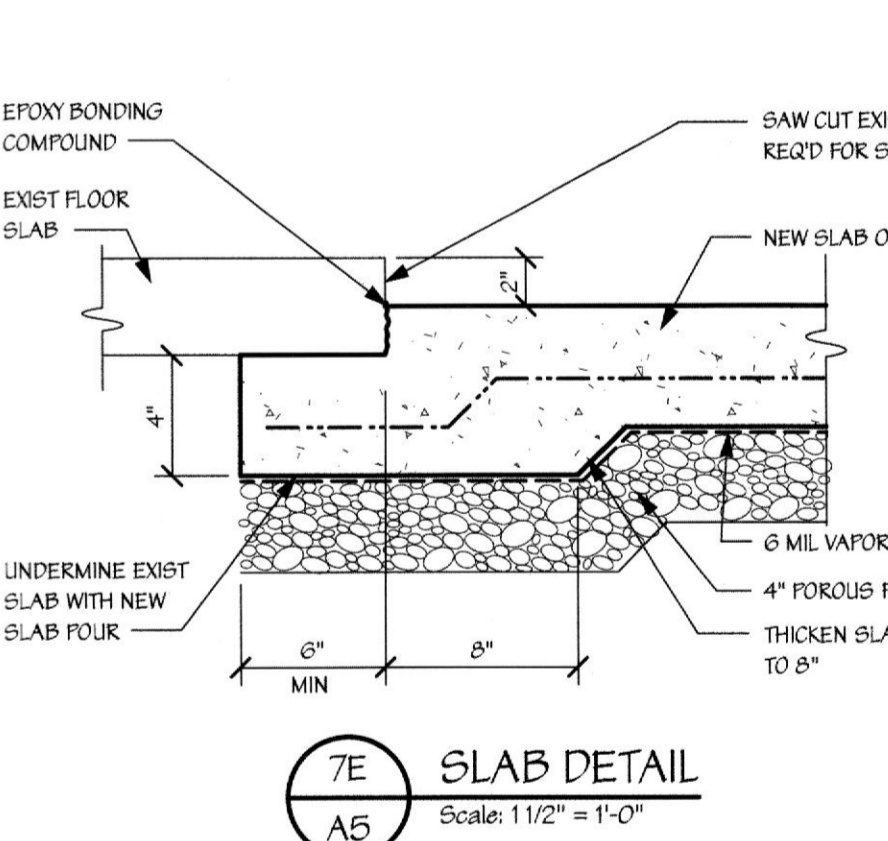
7B FLOOR SINK Scale: 1/2" = 1'-0"



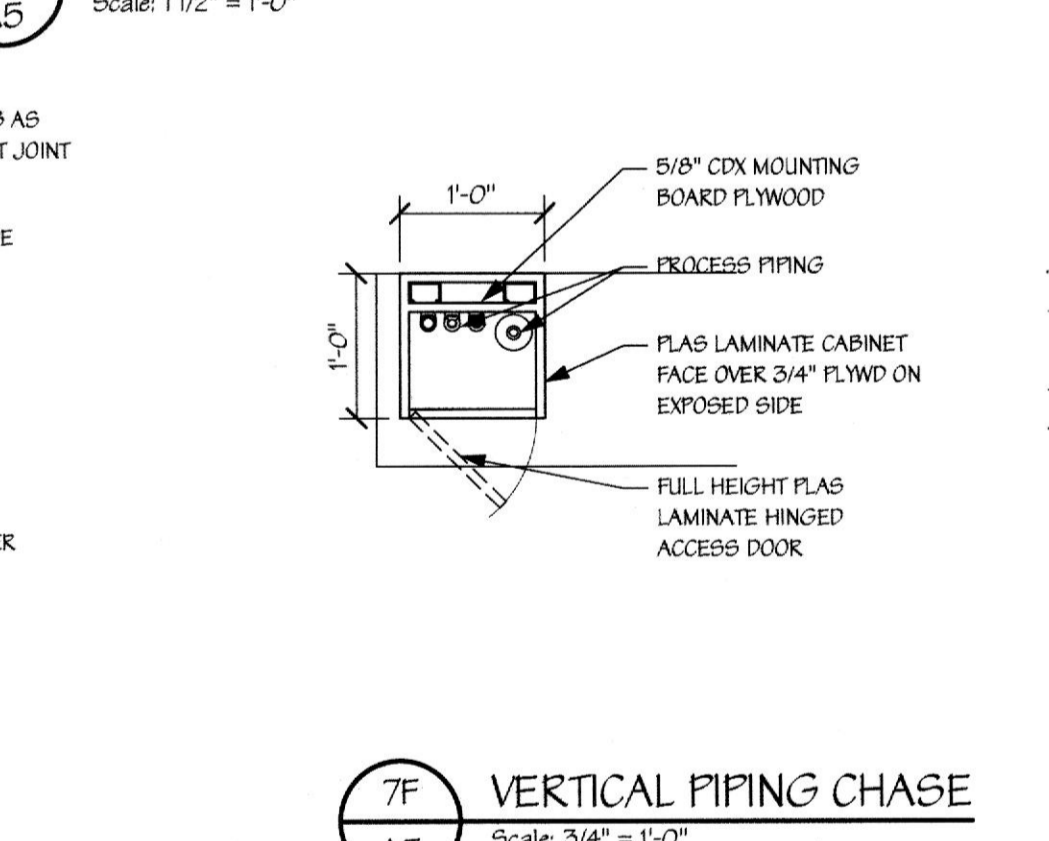
7B TYPICAL BULKHEAD DETAIL Scale: 3/4" = 1'-0"



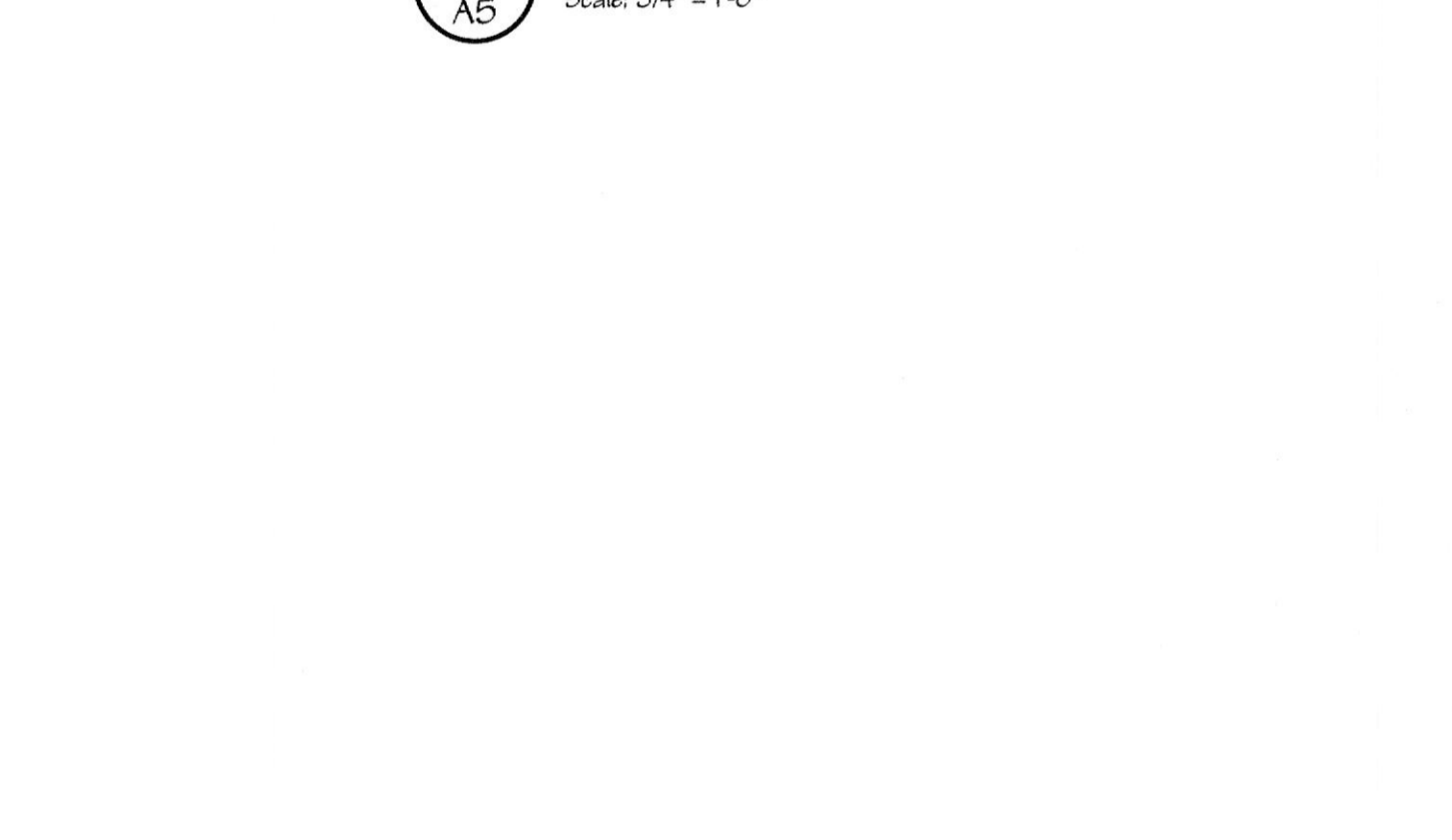
7C PLUMBING TRENCH SLAB FOUR BACK DETAIL Scale: 1/2" = 1'-0"



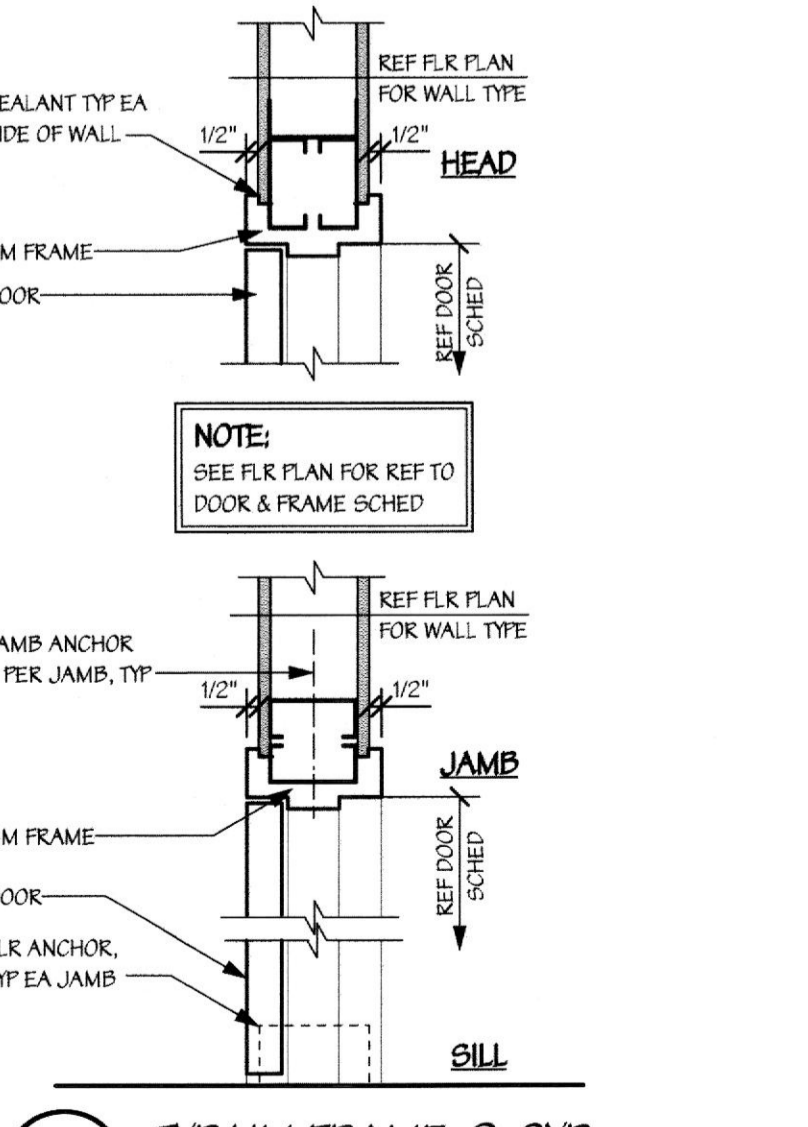
7E SLAB DETAIL Scale: 1/2" = 1'-0"



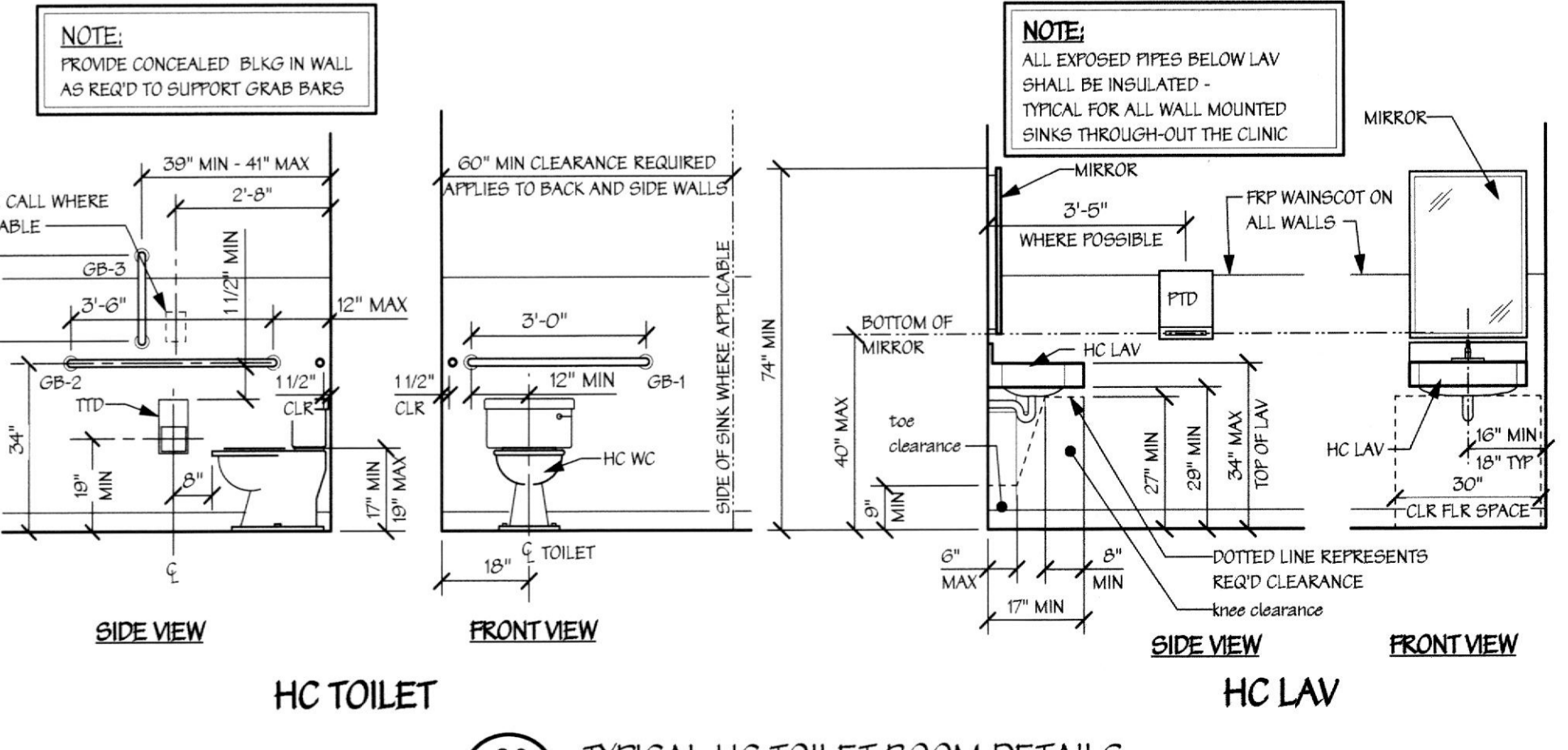
7F VERTICAL PIPING CHASE Scale: 3/4" = 1'-0"



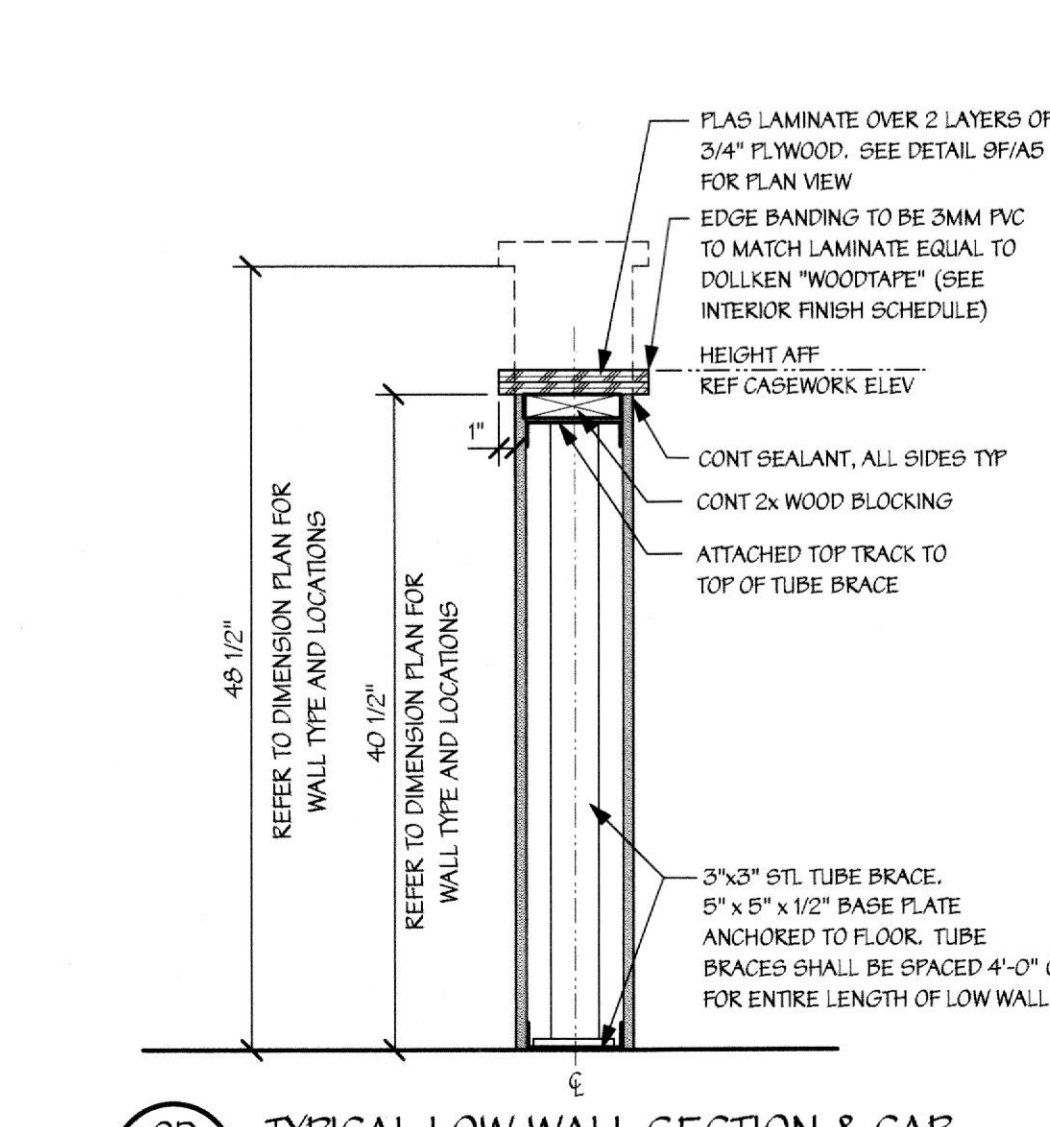
8H TYPICAL CASEWORK SECTION Scale: 3/4" = 1'-0"



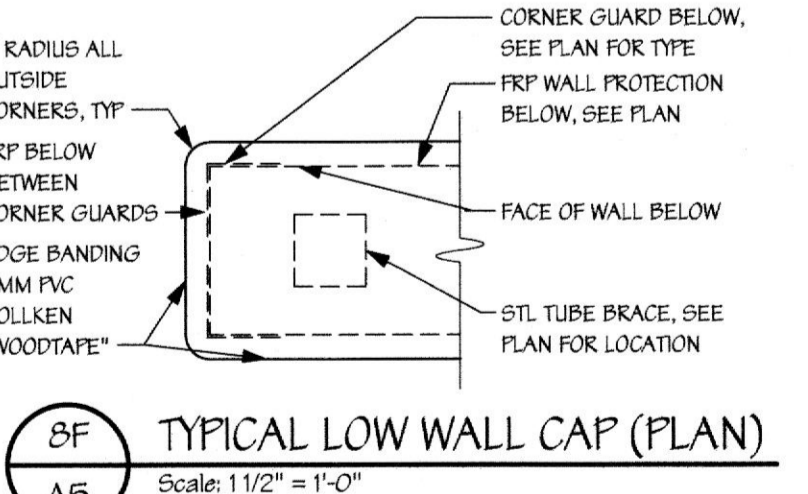
9A TYP HM FRAME @ GYP Scale: 1/2" = 1'-0"



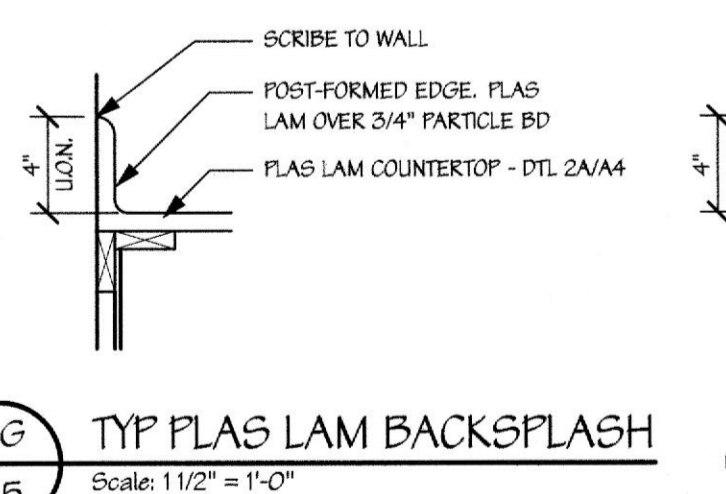
9C TYPICAL HC TOILET ROOM DETAILS Scale: 3/8" = 1'-0"



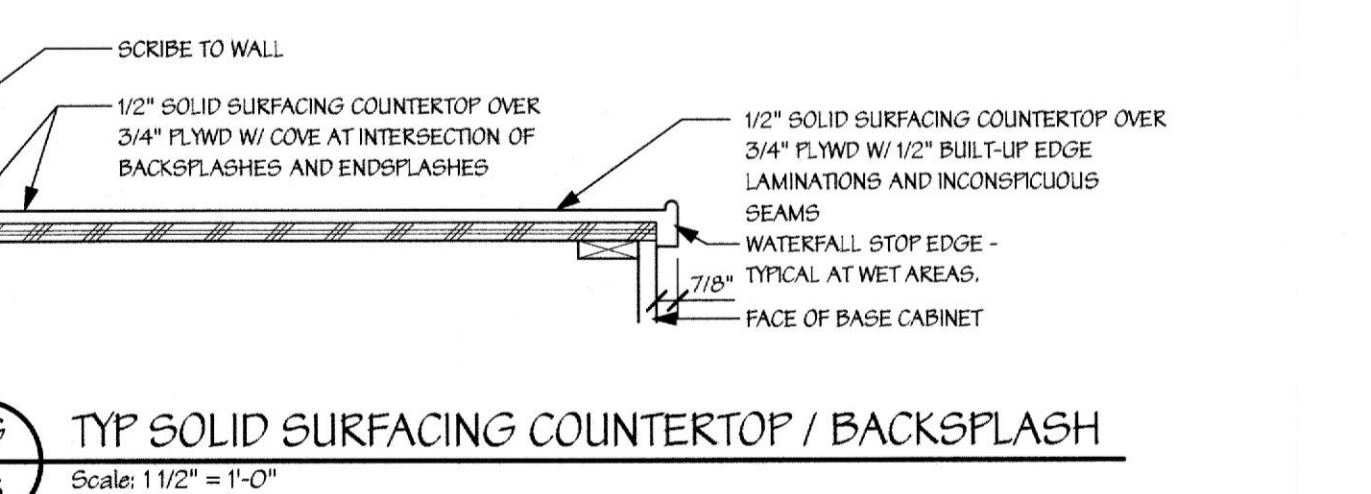
9D TYPICAL LOW WALL SECTION & CAP Scale: 1" = 1'-0"



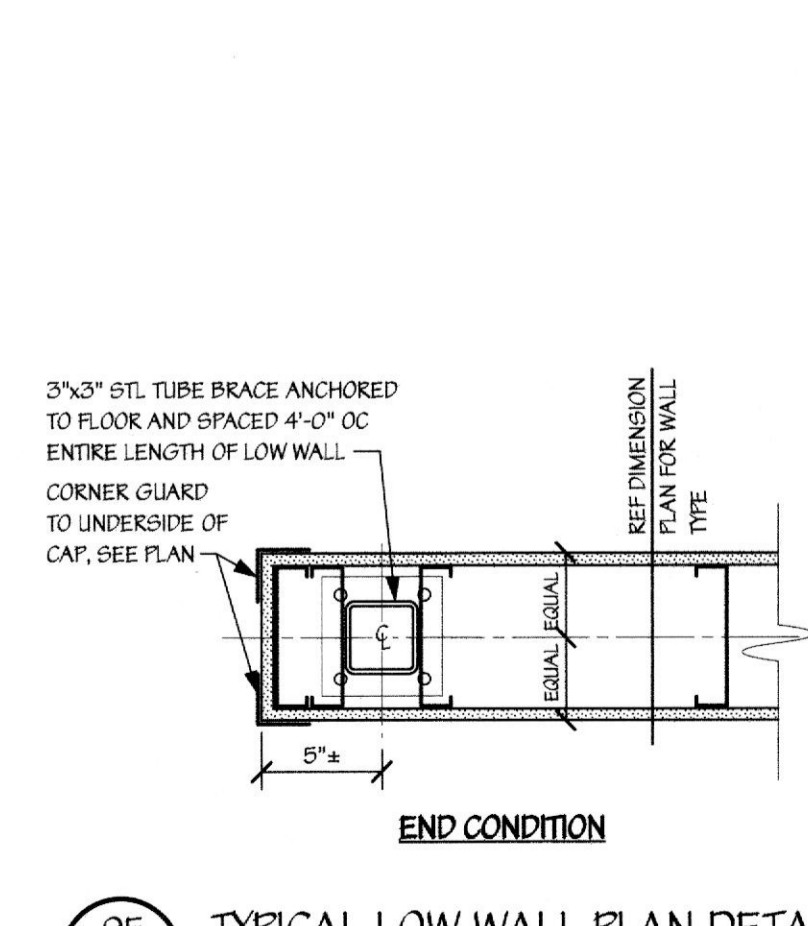
8F TYPICAL LOW WALL CAP (PLAN) Scale: 1/2" = 1'-0"



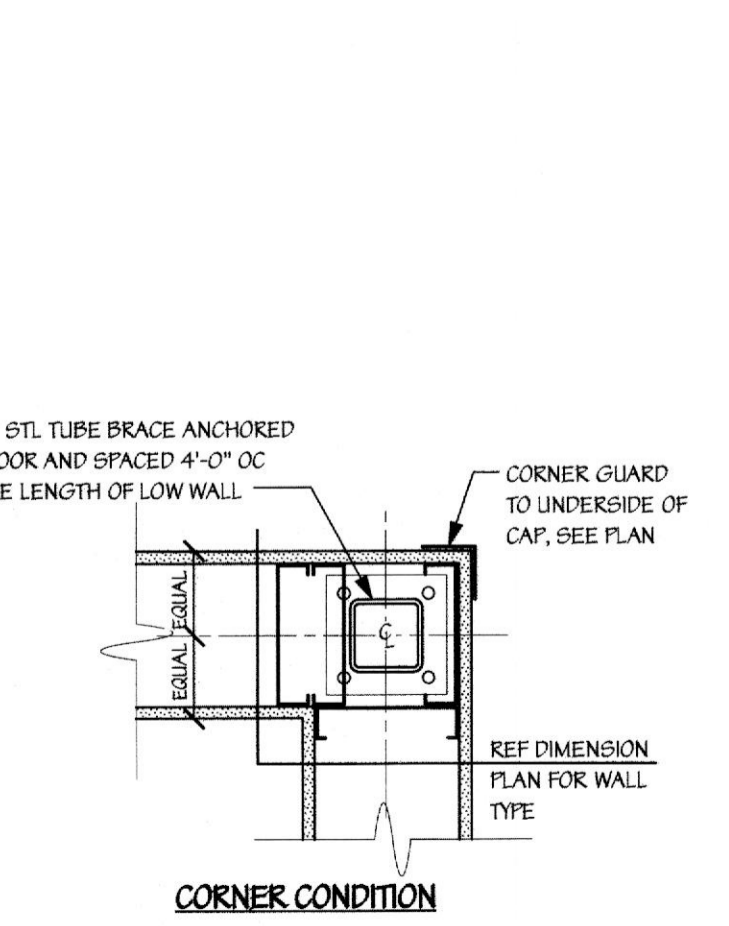
8G TYP PLAS LAM BACKSPASH Scale: 1/2" = 1'-0"



8G TYP SOLID SURFACING COUNTERTOP / BACKSPASH Scale: 1/2" = 1'-0"



9F TYPICAL LOW WALL PLAN DETAIL Scale: 1/2" = 1'-0"



9G CORNER CONDITION

Vertical strip on the right side of the page containing project information, company logos (Davita, Insync Architectural Designs, Inc.), and professional seals (Professional Engineer, Licensed Architect).