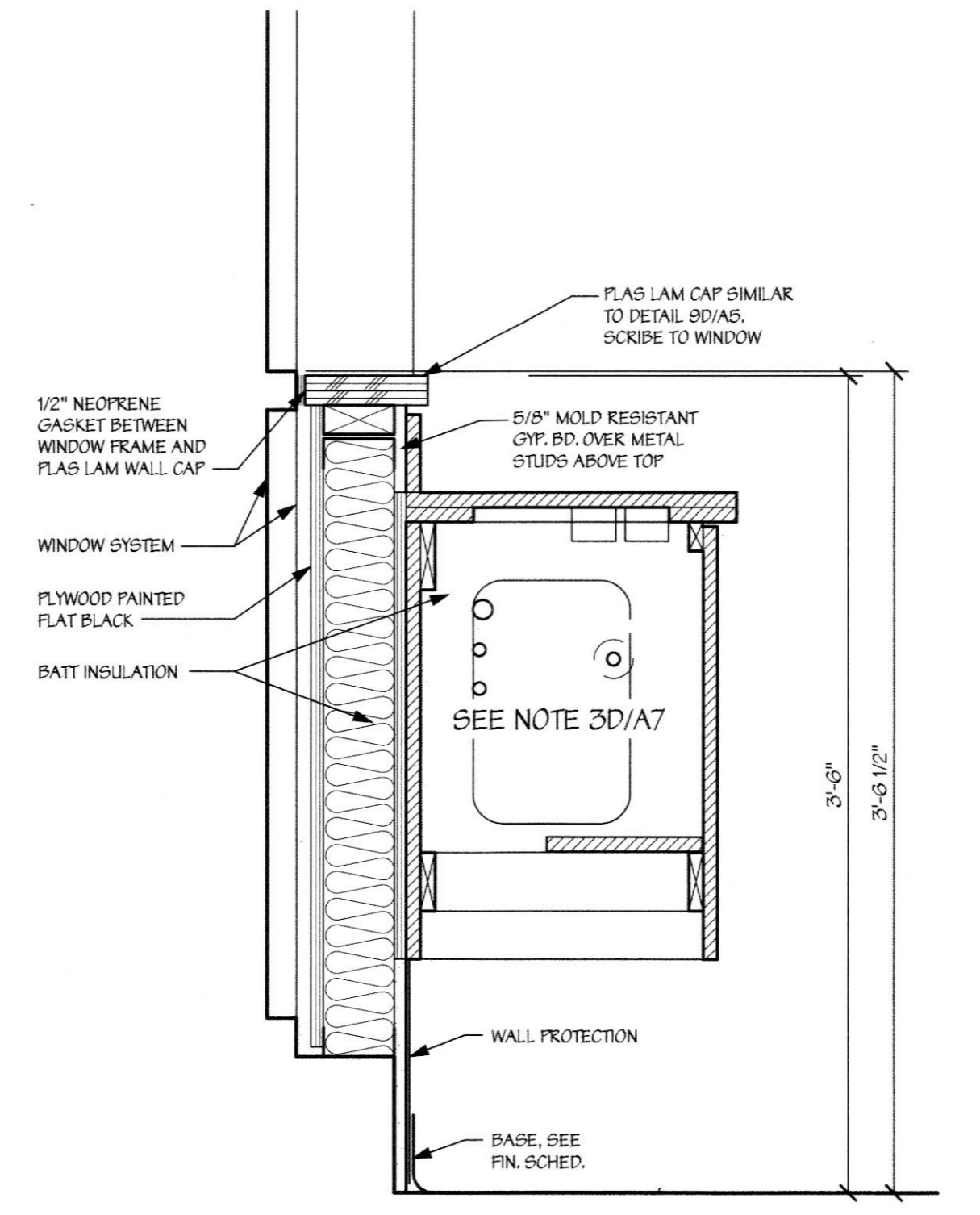
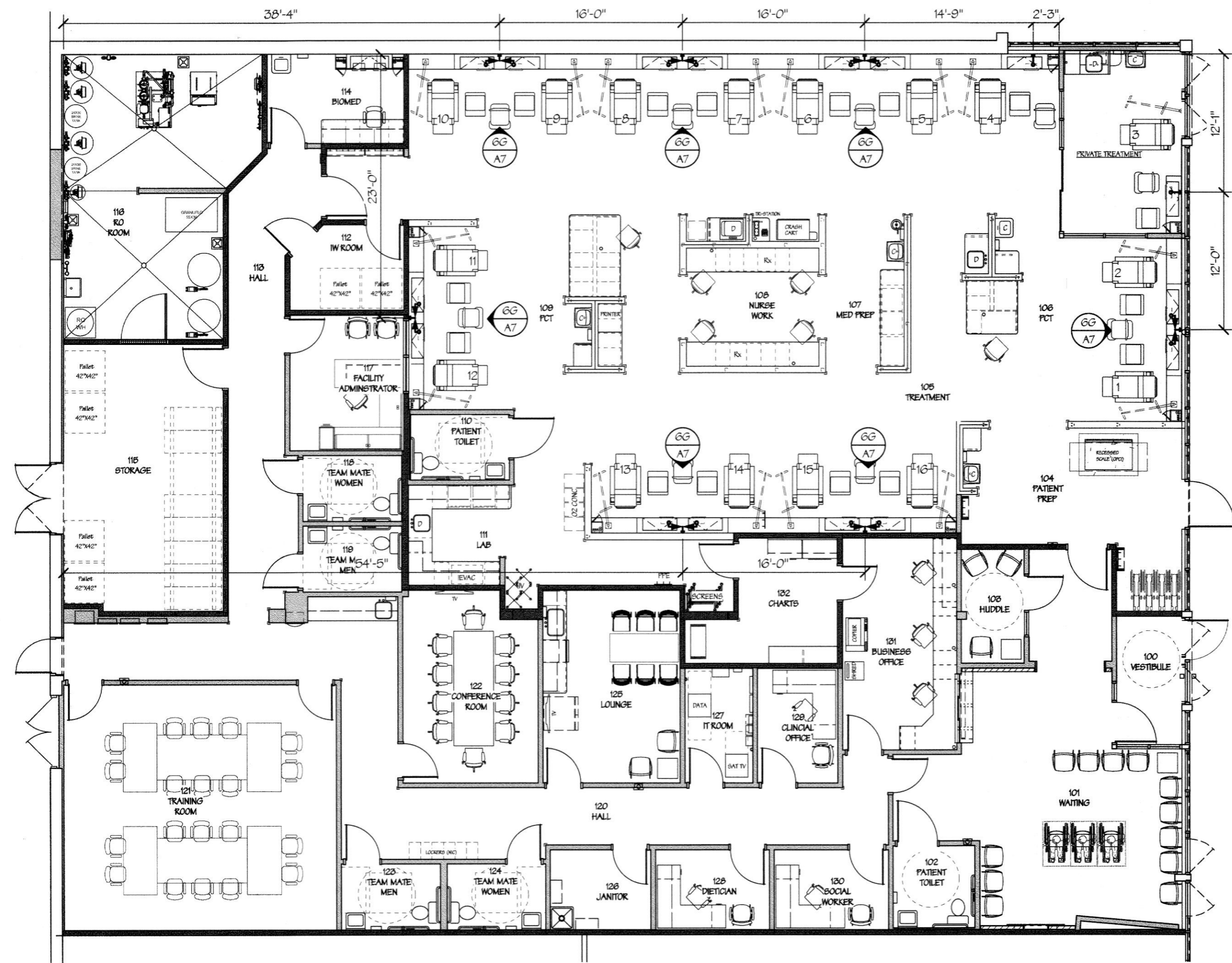
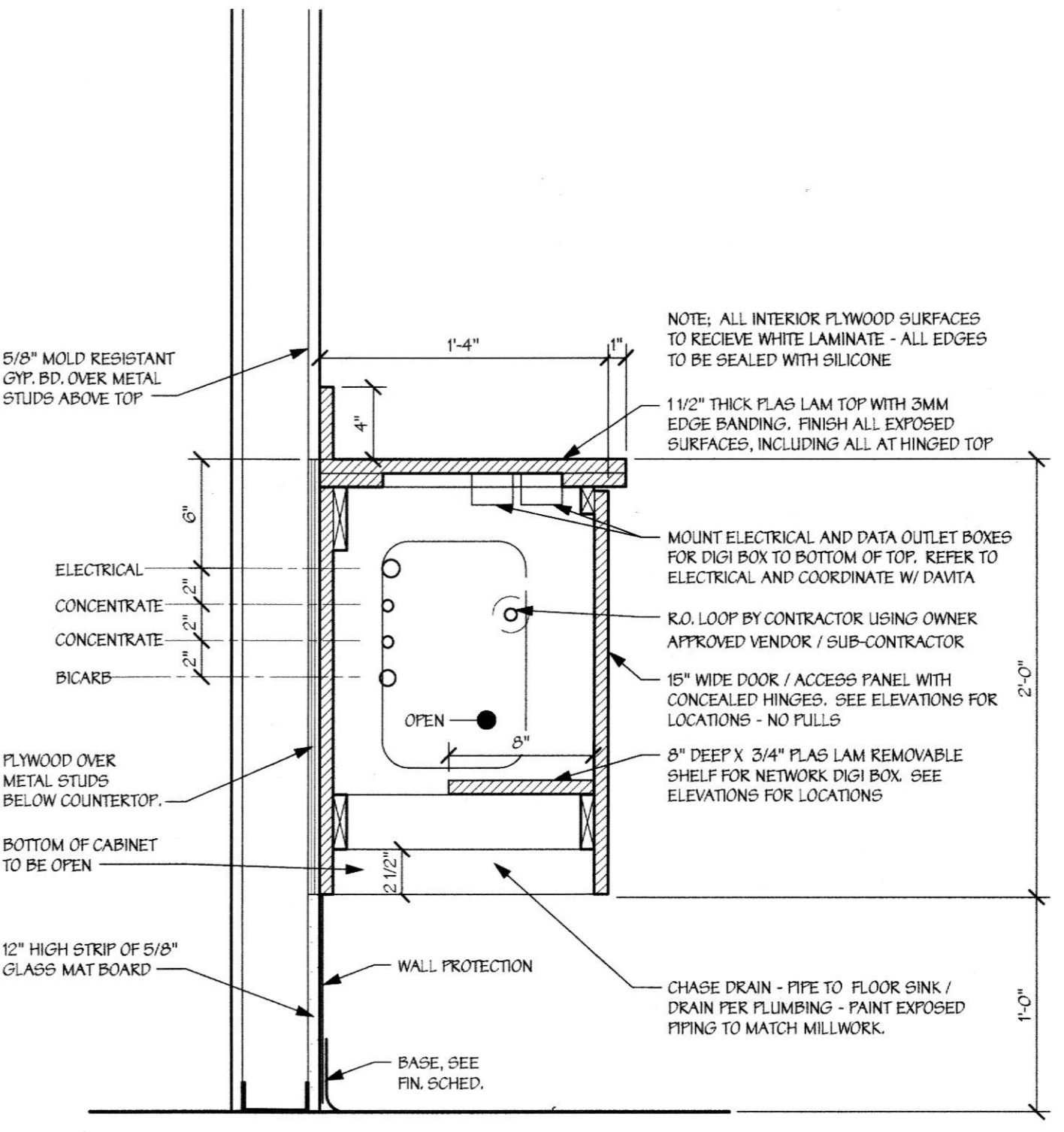


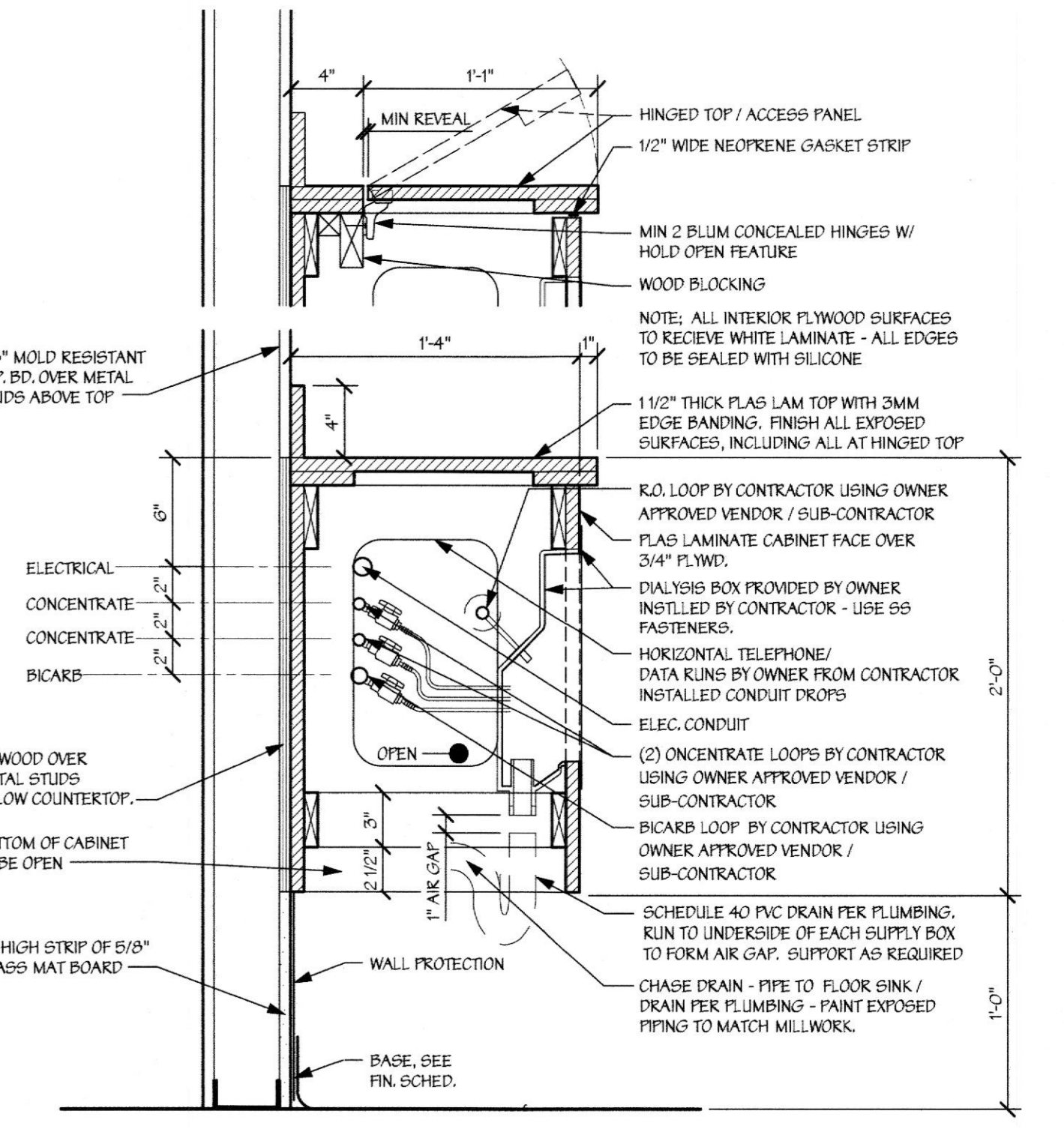
THIS DRAWING IS THE PROPERTY OF INSYNCH ARCHITECTURAL DESIGNS INC. UNAUTHORIZED USE OF ANY KIND, INCLUDING USE ON OTHER PROJECTS, IS PROHIBITED.



3C TREATMENT AREA CHASE CABINET @ EX WINDOW
Scale: 1 1/2" = 1'-0"

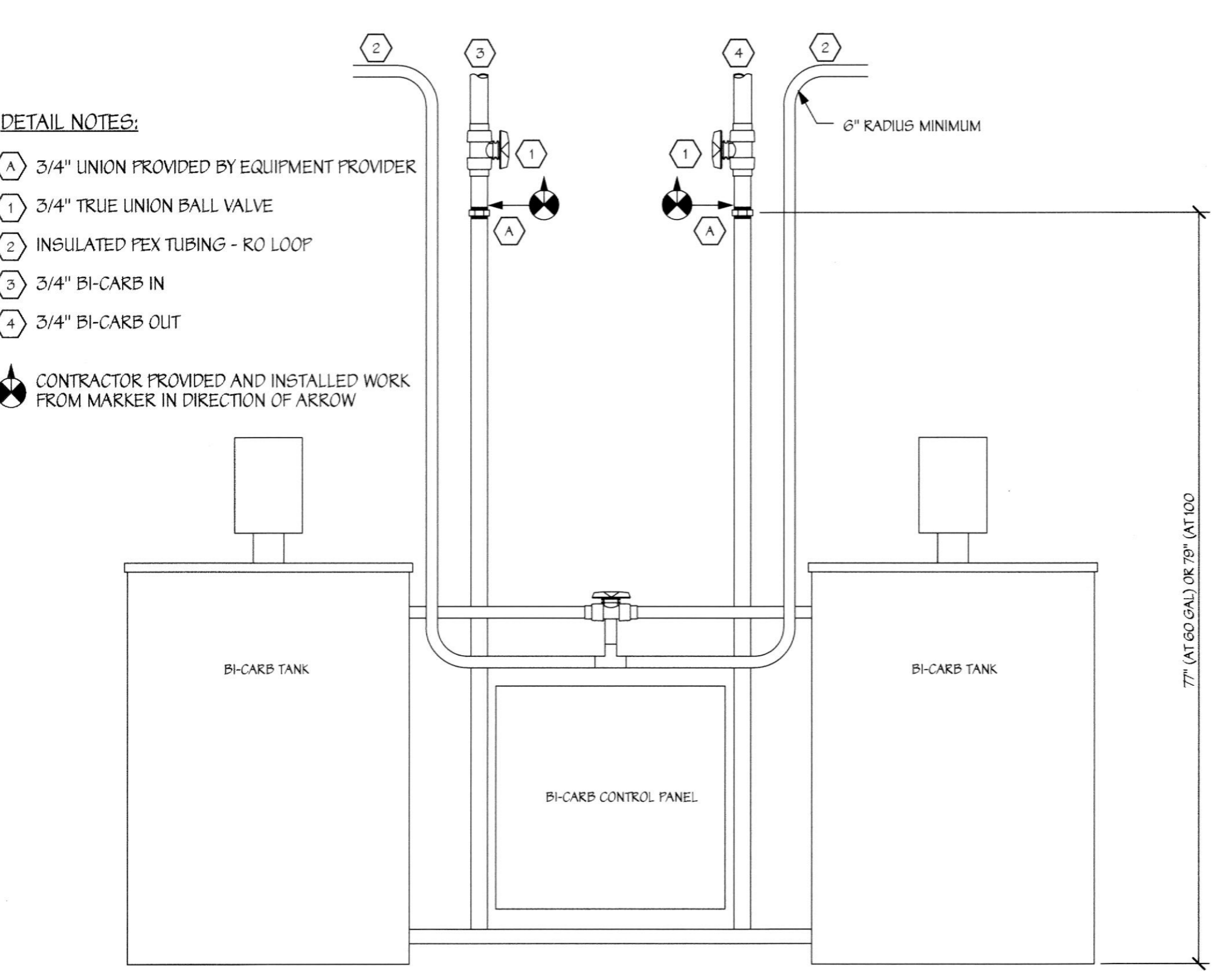


3D TREATMENT AREA CHASE CABINET - DIGI BOX ACCESS
Scale: 1 1/2" = 1'-0"



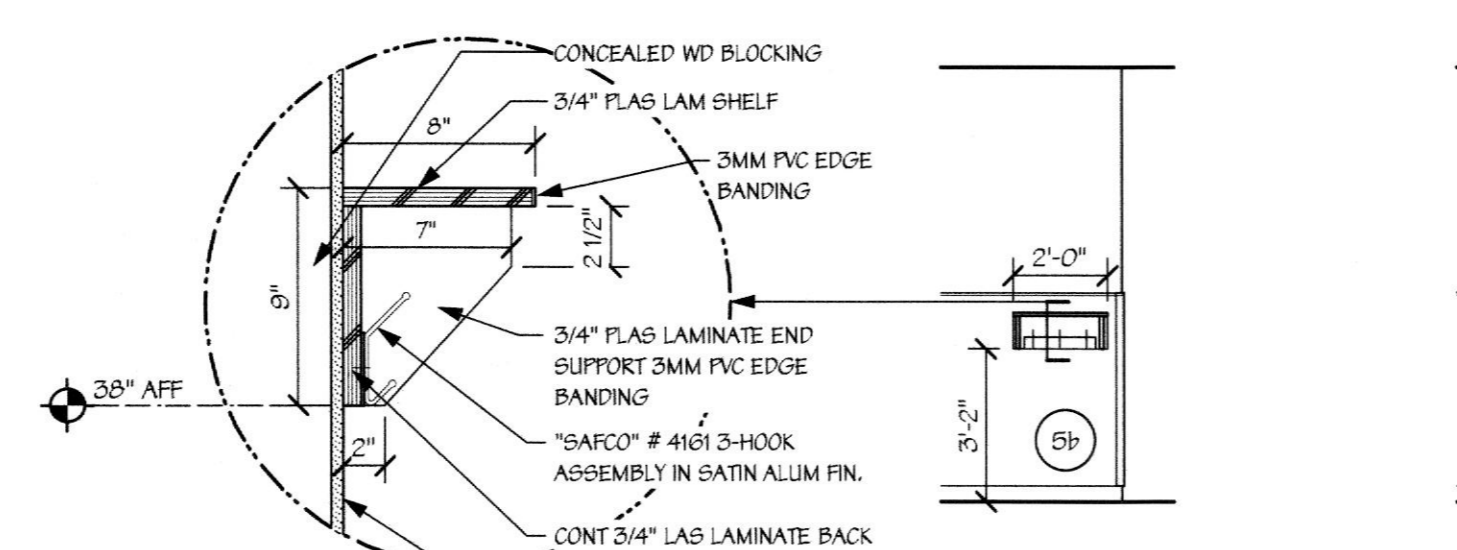
3F TREATMENT AREA WALL MOUNTED CHASE CABINET
Scale: 1 1/2" = 1'-0"

4C DIALYSIS EQUIPMENT DRAINS
Scale: 1/8" = 1'-0"

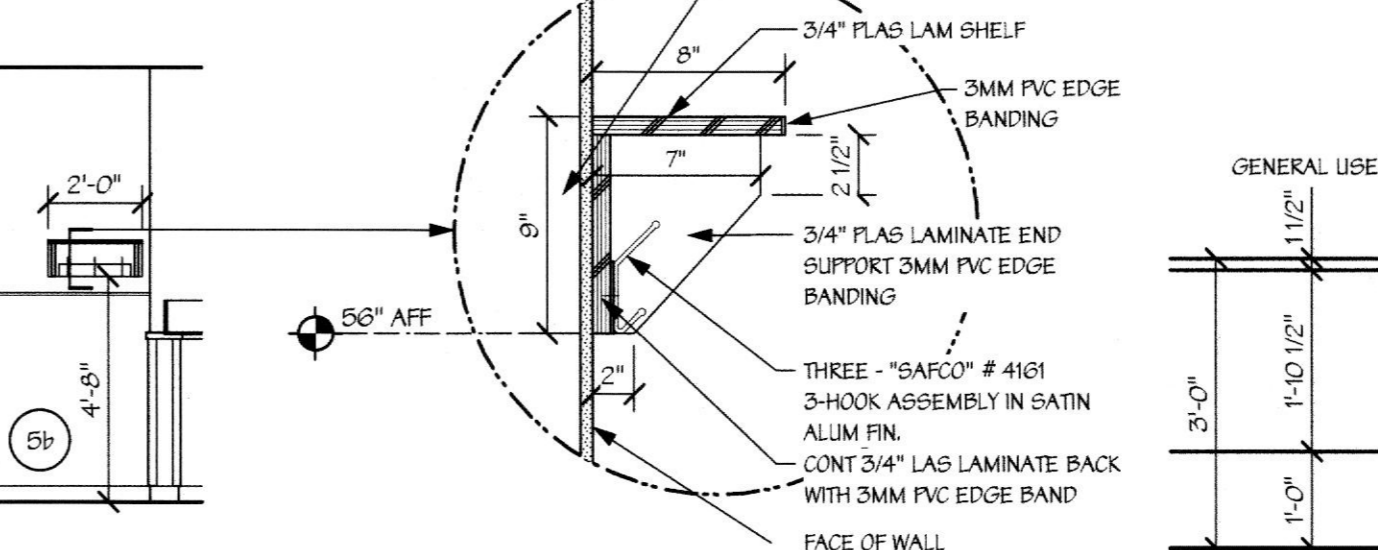


- DETAIL NOTES:**
- 1 3/4" UNION PROVIDED BY EQUIPMENT PROVIDER
 - 2 3/4" TRUE UNION BALL VALVE
 - 3 INSULATED FLEX TUBING - R.O. LOOP
 - 4 3/4" BI-CARB IN
 - 5 3/4" BI-CARB OUT
- CONTRACTOR PROVIDED AND INSTALLED WORK FROM MARKER IN DIRECTION OF ARROW

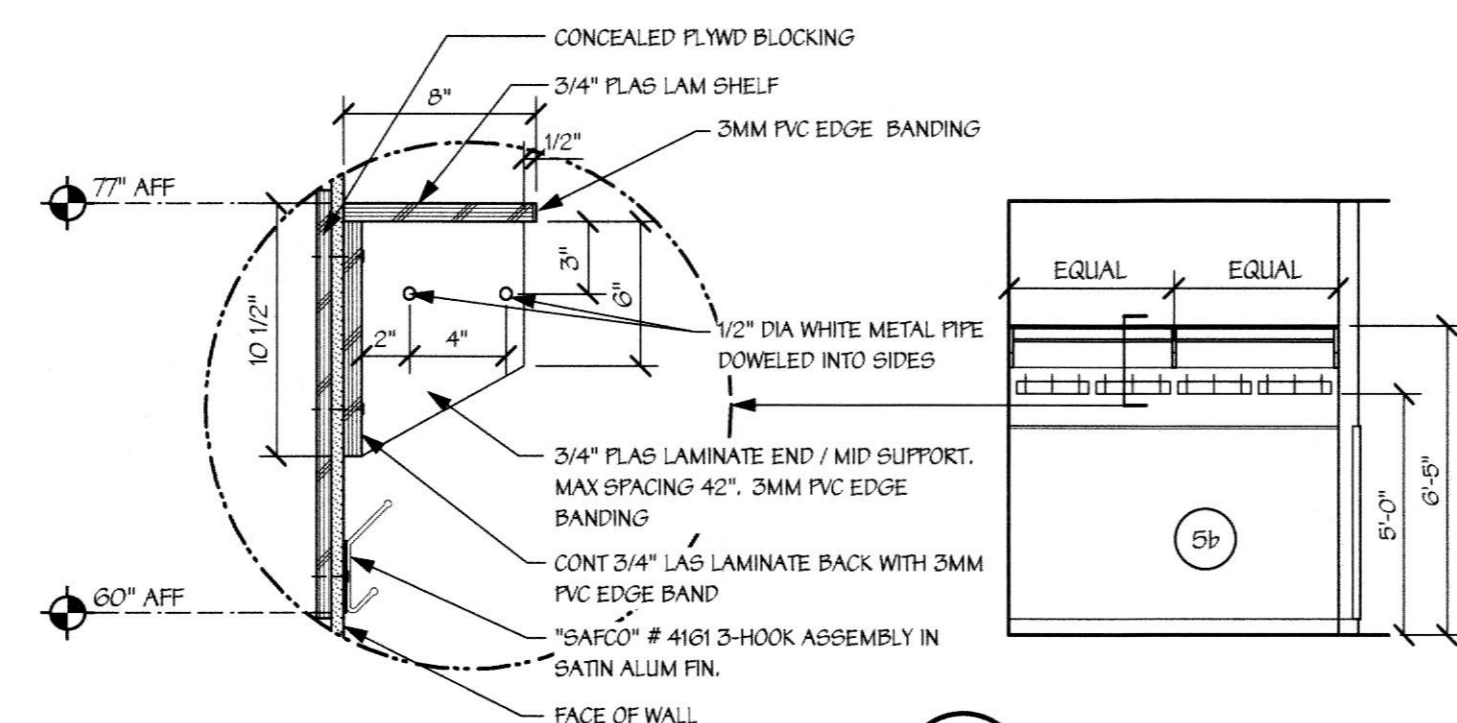
7A CENTRAL BI-CARB R.O. & B.C. CONNECTION DIAGRAM
NOT TO SCALE



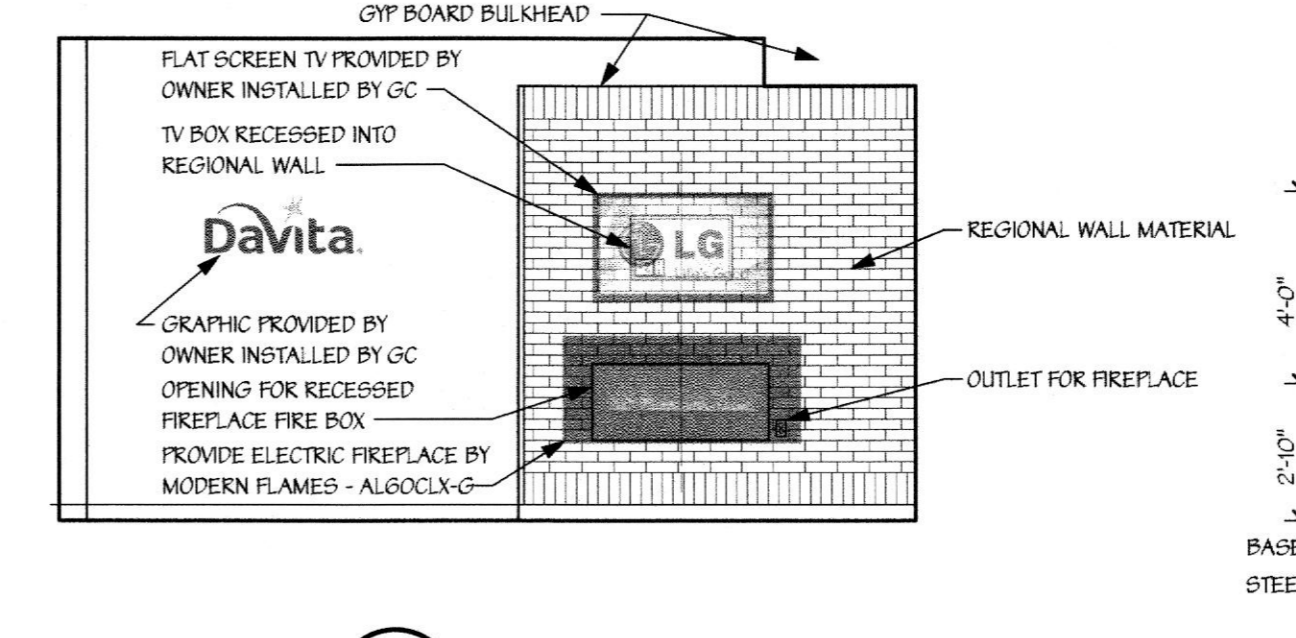
6C 104 PATIENT PREP
Scale: 1/4" = 1'-0"
PLASTIC LAMINATE COLORS:
TOP - "PL-2", SUPPORTS - "PL-1"



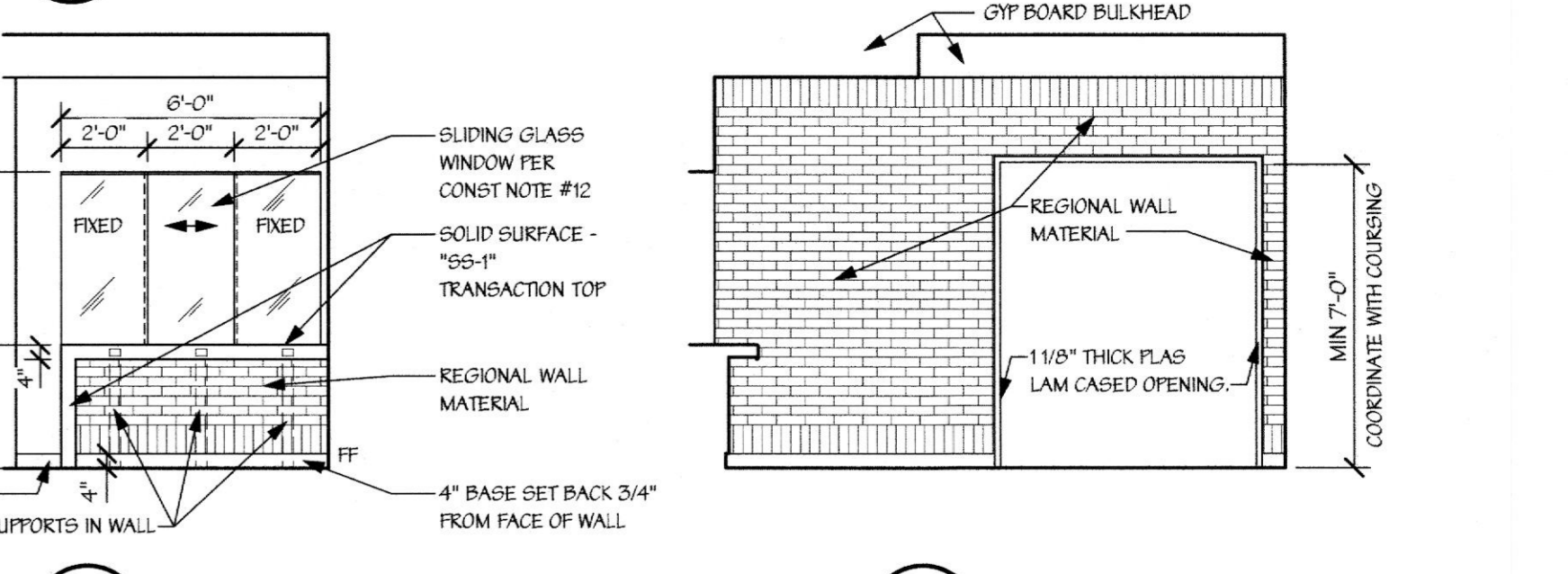
6D 104 PATIENT PREP
Scale: 1/4" = 1'-0"
PLASTIC LAMINATE COLORS:
TOP - "PL-2", SUPPORTS - "PL-1"



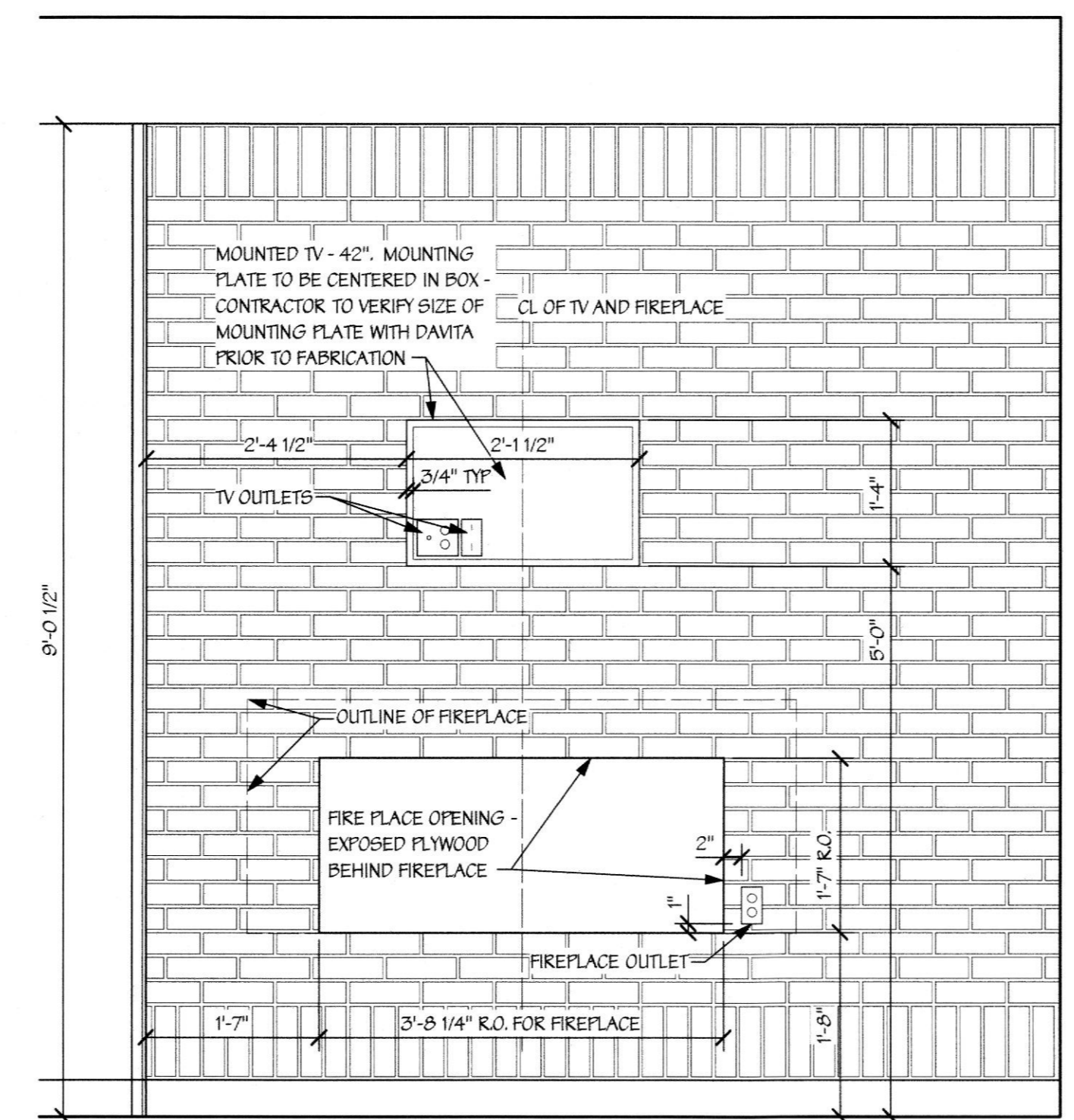
7C 105 TREATMENT
Scale: 1/4" = 1'-0"
PLASTIC LAMINATE COLORS:
TOP - "PL-2", SUPPORTS - "PL-1"



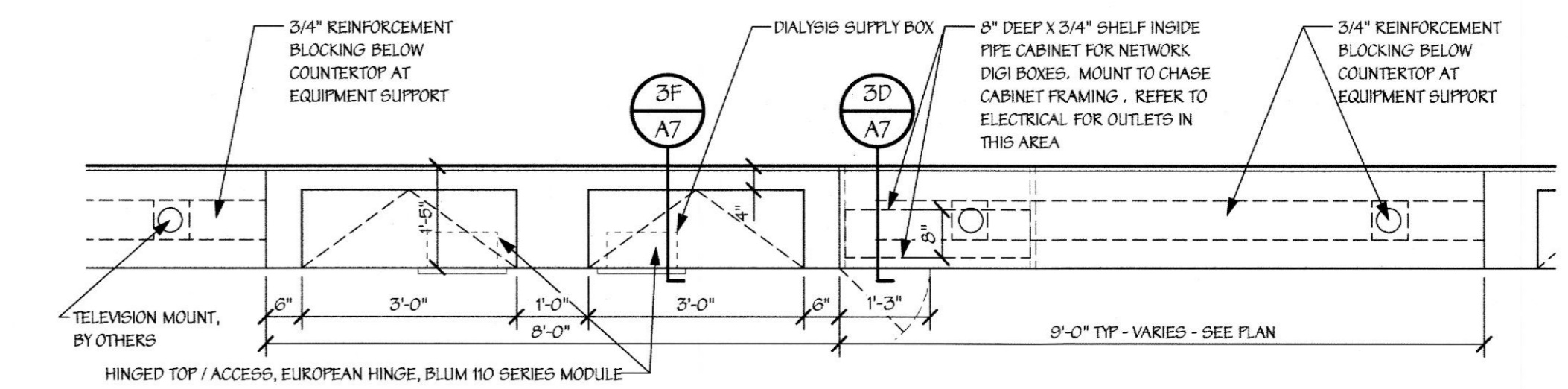
7E 101 WAITING
Scale: 1/4" = 1'-0"
PLASTIC LAMINATE COLORS:
CABINETS - "PL-4"



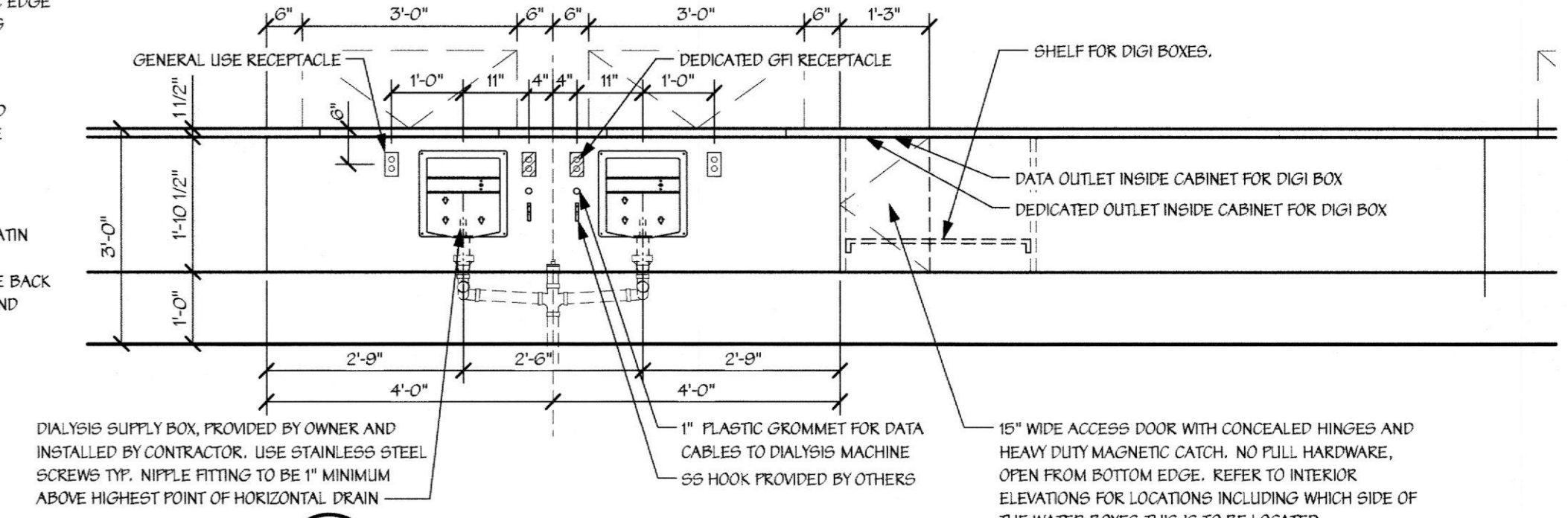
7F 101 WAITING
Scale: 1/4" = 1'-0"
PLASTIC LAMINATE COLORS:
CABINETS - "PL-4"



9D REGIONAL WALL ENLARGEMENT
Scale: 3/4" = 1'-0"
PLASTIC LAMINATE COLORS:
CABINETS - "PL-4"



4G TYPICAL WALL MOUNTED TREATMENT STATION - PLAN VIEW
Scale: 1/2" = 1'-0"



6G TREATMENT AREA CABINET ELEVATION
Scale: 1/2" = 1'-0"

DETAIL NOTES

- 27 CONSTRUCTION NOTE DESIGNATION
- 1 PRIMARY WALL CONSTRUCTION PER FLOOR PLAN. REFER TO DIMENSIONAL FLOOR PLAN FOR CONSTRUCTION.
- 2 ANGLED FEATURE SIGNAGE WALL ADJACENT TO REGIONAL WALL AND REGIONAL WALL MILLWORK. WALL TO BE ANGLED AT 5%. REFER TO DIMENSIONAL FLOOR PLAN.
- 3 MOUNTING BOARD - 5/8" PLYWOOD FOR MOUNTING TV CABINET AND FIREPLACE BACKING. ATTACH TO METAL STUDS.
- 4 TV BOX - 3/4" PLAS LAMINATE FINISHED PLYWOOD FOR TV BOX RECESSED IN REGIONAL WALL MATERIAL ATTACHED TO MOUNTING PLYWOOD.
- 5 CUT / TRIM REGIONAL WALL MATERIAL TO MILLWORK AND PROVIDE 3/8" MORTAR JOINT WHERE APPLICABLE.
- 6 TV BOX SIDES - 3/4" X 4" PLAS LAMINATE EDGE BOARD CONTINUOUS AROUND ALL SIDES.
- 7 TV OUTLETS / CONNECTIONS - COORDINATE PLACEMENT WITH OWNER PROVIDED TV MOUNTING BRACKET AND TV.
- 8 FIRE PLACE OPENING - OPENING IN REGIONAL WALL MATERIAL. COORDINATE EXACT SIZE WITH MANUFACTURE'S REQUIREMENTS. PROVIDE BLOCKING AROUND PERIMETER FOR MOUNTING OF FIRE PLACE PER MANUFACTURE'S RECOMMENDATIONS.
- 9 FIRE PLACE - THE DASHED LINES INDICATE THE LIMITS OF THE FIREPLACE. REFER TO THE CONSTRUCTION NOTES DRAWING FOR THE REQUIRED FIREPLACE.
- 10 OUTLET FOR FIRE PLACE. MOUNT IN FACE OF REGIONAL WALL MATERIAL. COORDINATE EXACT LOCATION WITH FIRE PLACE INSTALLATION DRAWINGS.
- 11 REGIONAL WALL MATERIAL. REFER TO INTERIOR ELEVATIONS WITH ASSOCIATED DETAILS AND FLOOR PLAN.
- 12 REGIONAL WALL MATERIAL SHEATHING - 5/8" GLASS MAT BOARD / SHEATHING USED BEHIND REGIONAL WALL MATERIAL.
- 13 BLOCKING TO SUPPORT REGIONAL WALL MATERIAL - 2X TREATED BLOCKING RIPPED DOWN TO 4" HEIGHT AND ATTACHED TO MOUNTING WALL STUDS.
- 14 SCHEDULED BASE SET BACK 3/4" FROM FACE OF REGIONAL WALL MATERIAL.

Davita
c/o Davita Healthcare Partners, Inc.
2000 16th Street
Denver, CO 80202

Davita
c/o Davita Healthcare Partners, Inc.
2000 16th Street
Denver, CO 80202

PROJECT # 10989

DATE 04/20/18

SCALE 1/8" = 1'-0"

PROJECT # 10989

PROJECT # 10989

DATE 04/20/18

SCALE 1/8" = 1'-0"

PROJECT # 10989

PROJECT # 10989

DATE 04/20/18

SCALE 1/8" = 1'-0"

PROJECT # 10989