

THIS DRAWING IS THE PROPERTY OF INSYNC ARCHITECTURAL DESIGNS INC., UNAUTHORIZED USE OF ANY KIND, INCLUDING USE ON OTHER PROJECTS, IS PROHIBITED.

SEQUENCE OF OPERATIONS

DUCTLESS SPLIT SYSTEM AHU/AIR COOLED CONDENSING UNIT
ADD ALTERNATE

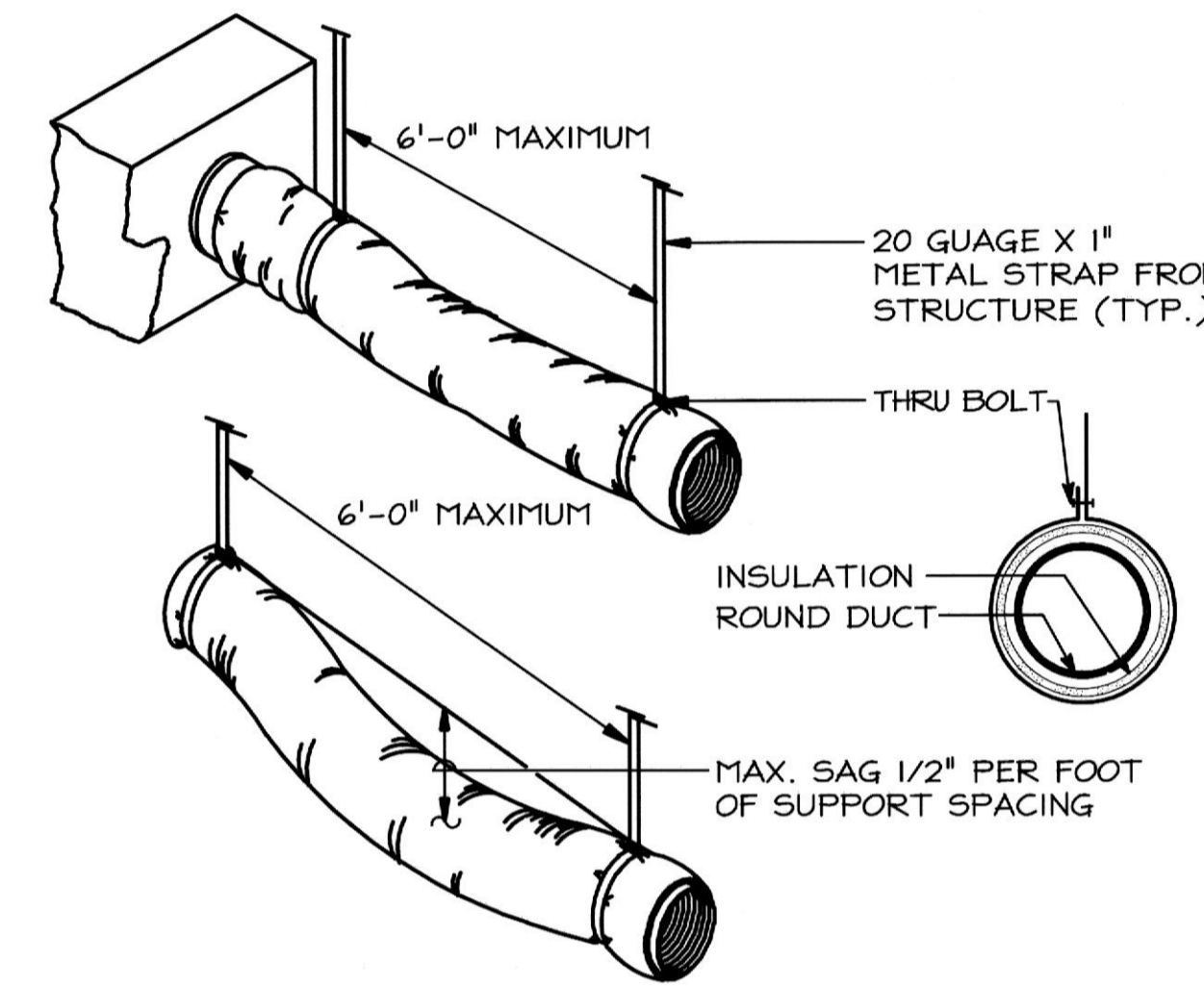
- DURING PERIODS AS PROGRAMMED ON ASSOCIATED AHU THERMOSTAT, SYSTEM SHALL OPERATE AS FOLLOWS:
- ON A CALL FOR HEATING, IF ALL SAFETIES ARE SENSED, THEN COMPRESSOR SHALL BE ENERGIZED, THE UNIT'S HEATING CYCLE SHALL RUN UNTIL SETPOINT IS SATISFIED.
- ON A CALL FOR COOLING, THE UNIT MOUNTED CONTROLS SHALL ENERGIZE OUTDOOR COMPRESSOR (MECHANICAL COOLING) SHALL BE ENERGIZED. THE UNIT COOLING CYCLE SHALL RUN UNTIL SETPOINT IS SATISFIED.

DUCTLESS SPLIT AIR HANDLING UNIT SCHEDULE

ITEM#	AREA SERVED	FAN DATA					COOLING DATA			ELECTRICAL DATA			WEIGHT (LBS.)		MODEL #		MANUFACTURER
		C.F.M.	E.S.P.	H.P.	R.P.M.	C.F.M. O.A.	TOTAL BTU/HR	SENSIBLE BTU/HR	SEER	OUTDOOR UNIT	INDOOR UNIT	OUTDOOR UNIT	INDOOR UNIT	OUTDOOR UNIT	INDOOR/OUTDOOR		
AHU-1/ ACCU-1	TREATMENT AREA	470	.20"	-	LOW	N/A	24,000	18,800	16.8	208v/1Ø/60hz	49	150	FCQ24PAVJU	RZR24PVJU	DAIKIN/DAIKIN		

NOTES:

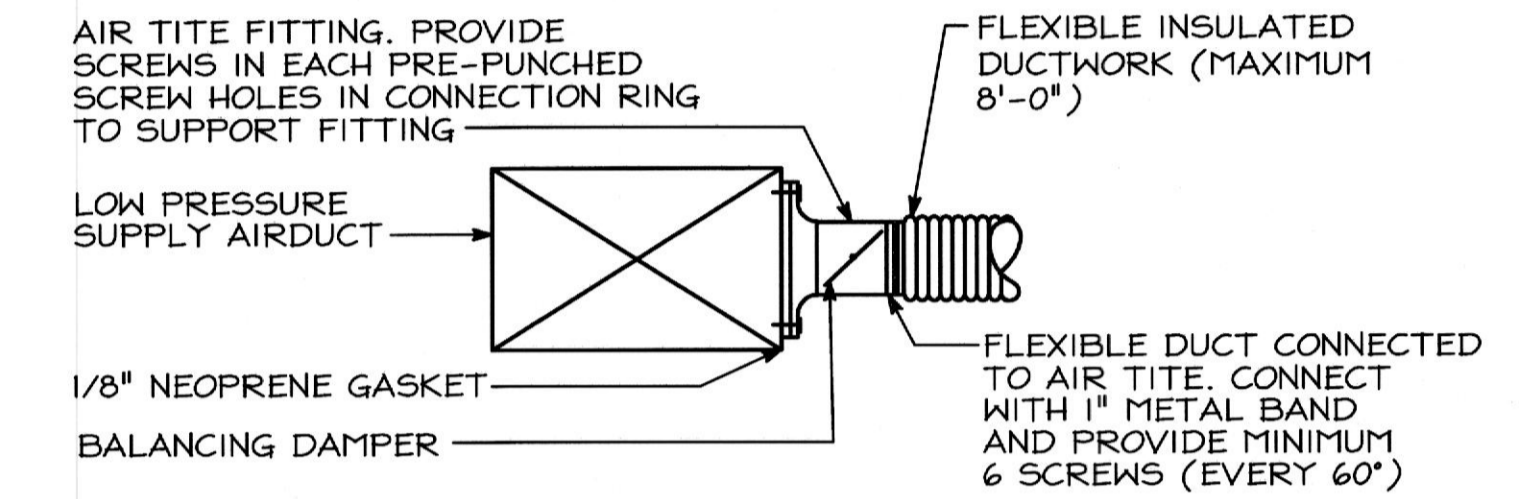
- PROVIDE HEAT PUMP UNIT WITH LOW AMBIENT CONTROL DOWN TO 0°F.
- AIR HANDLING UNITS TO BE PROVIDED WITH FACTORY OPTION CONDENSATE PUMP AND REMOTE THERMOSTAT.



FLEXIBLE DUCT RUN-OUT SUPPORT DETAIL

NO SCALE

- NOTES:**
- FLEXIBLE DUCT SHOULD EXTEND STRAIGHT FOR SEVERAL INCHES FROM RECTANGULAR DUCT CONNECTION BEFORE BENDING.
 - FLEXIBLE DUCT SHOULD NOT EXCEED 6'-0" IN LENGTH. USE RIGID ROUND DUCTWORK WHEN ROUNDOUTS EXCEED

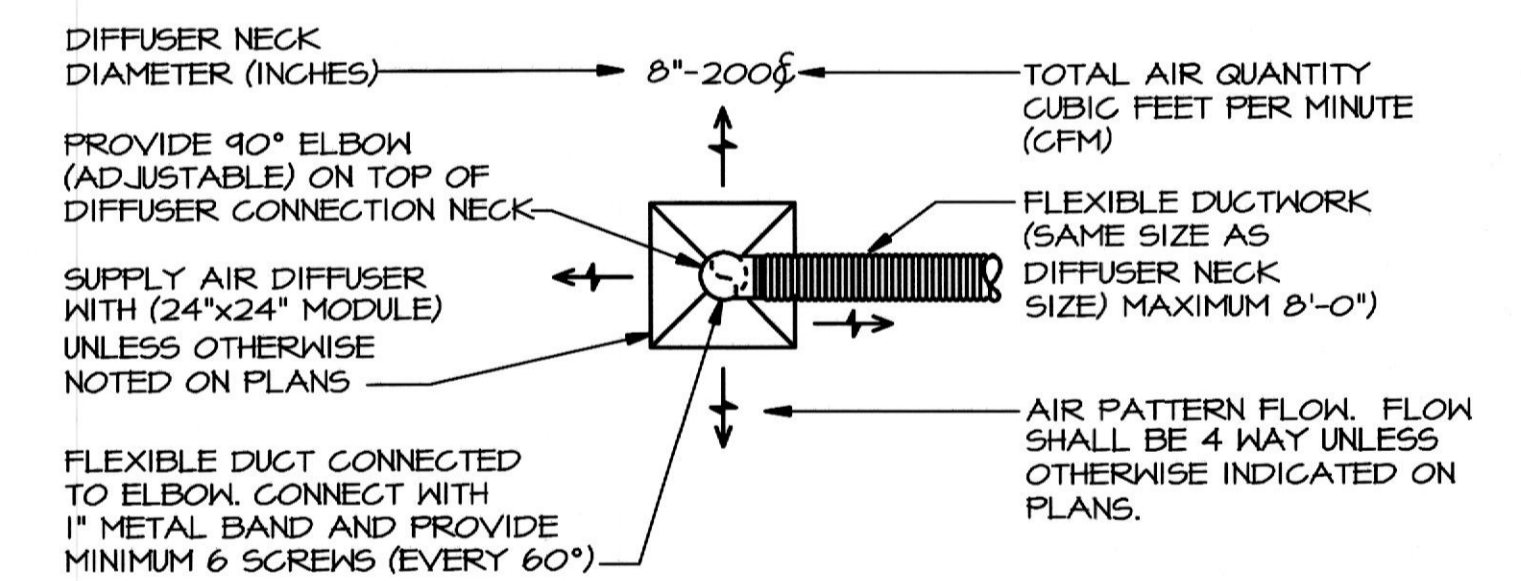


AIR TITE FITTING DETAIL

NO SCALE

DUCTSIZE	CONNECTION RING	DUCTSIZE	CONNECTION RING
5"	8"	9"	12"
6"	9"	10"	13"
7"	10"	11"	14"
8"	11"	12"	15"

- NOTE:**
- WHERE CONNECTION RING SIZE IS LARGER THAN SUPPLY DUCT, THEN CONNECTION RING SHALL BE CRIMPED OVER DUCT AND CONNECTED, SCREWED AND SEALED ON TOP AND BOTTOM OF SUPPLY DUCT.



SUPPLY AIR DIFFUSER KEY

NO SCALE

MECHANICAL CONTRACTOR MUST BE CERTAIN THAT ALL NEW DOMESTIC WATER PIPES INSTALLED THROUGHOUT WILL NOT FREEZE. THE CONTRACTOR MUST MAKE PROVISIONS TO PREVENT ANY PIPE FROM FREEZING THROUGHOUT OF OUR AREA OF WORK. IF NEEDED INSTALL MORE ELECTRIC HEATERS WHERE REQUIRED.

Davita
Davita Healthcare Partners, Inc.
2000 16th Street
Denver, CO 80202

InSync
ARCHITECTURAL
DESIGNS, INC.
1218 Old Pikesville Road
Whiteford, MD 21160
Office 410-452-8006
Fax 410-452-8046

SDI Design, LLC
1111 University Blvd
Suite 1000
Denver, CO 80202

**Wren Design
Consultant, Inc.**

NO.	REVISION	DATE	BY	CHKD
1	PERMITS SUBMITTAL	10/24/14	MMW	MMW
2	REVISION L-CORNER REVISIONS	11/07/14	MMW	MMW
3	REVISION L-CORNER REVISIONS	08/04/15	MMW	MMW

Davita
c/o Davita Healthcare Partners, Inc.
2000 16th Street
Denver, CO 80202

FACILITY MAINTENANCE FOR:
Davita Dialysis
Richmond Kidney - #0507
1388 Victory Blvd
Staten Island 10301

SCHEDULES AND DETAILS
(HVAC)

10872
M-103.02