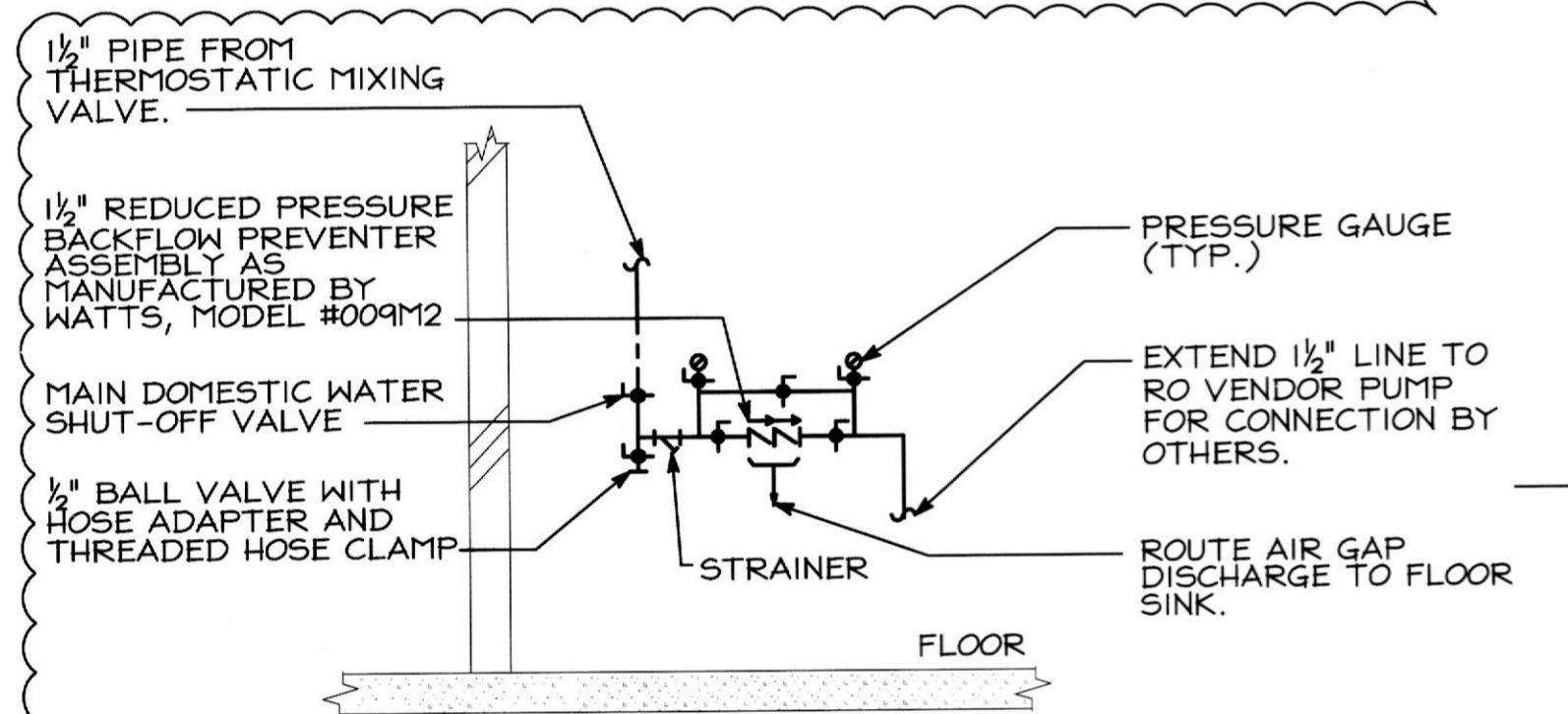
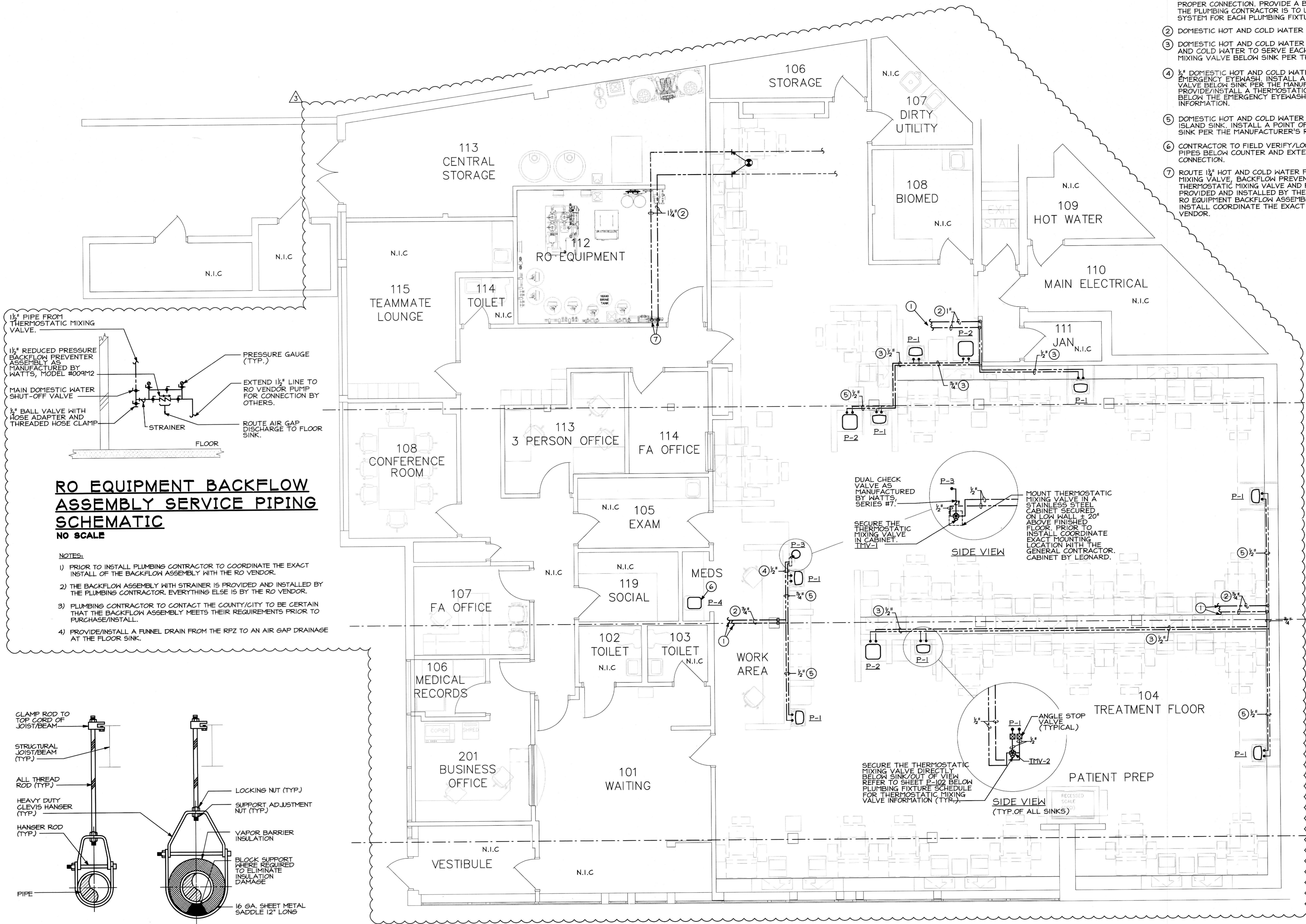


THIS DRAWING IS THE PROPERTY OF INSTANC ARCHITECTURAL DESIGNS INC. UNAUTHORIZED USE OF ANY KIND, INCLUDING USE ON OTHER PROJECTS, IS PROHIBITED.

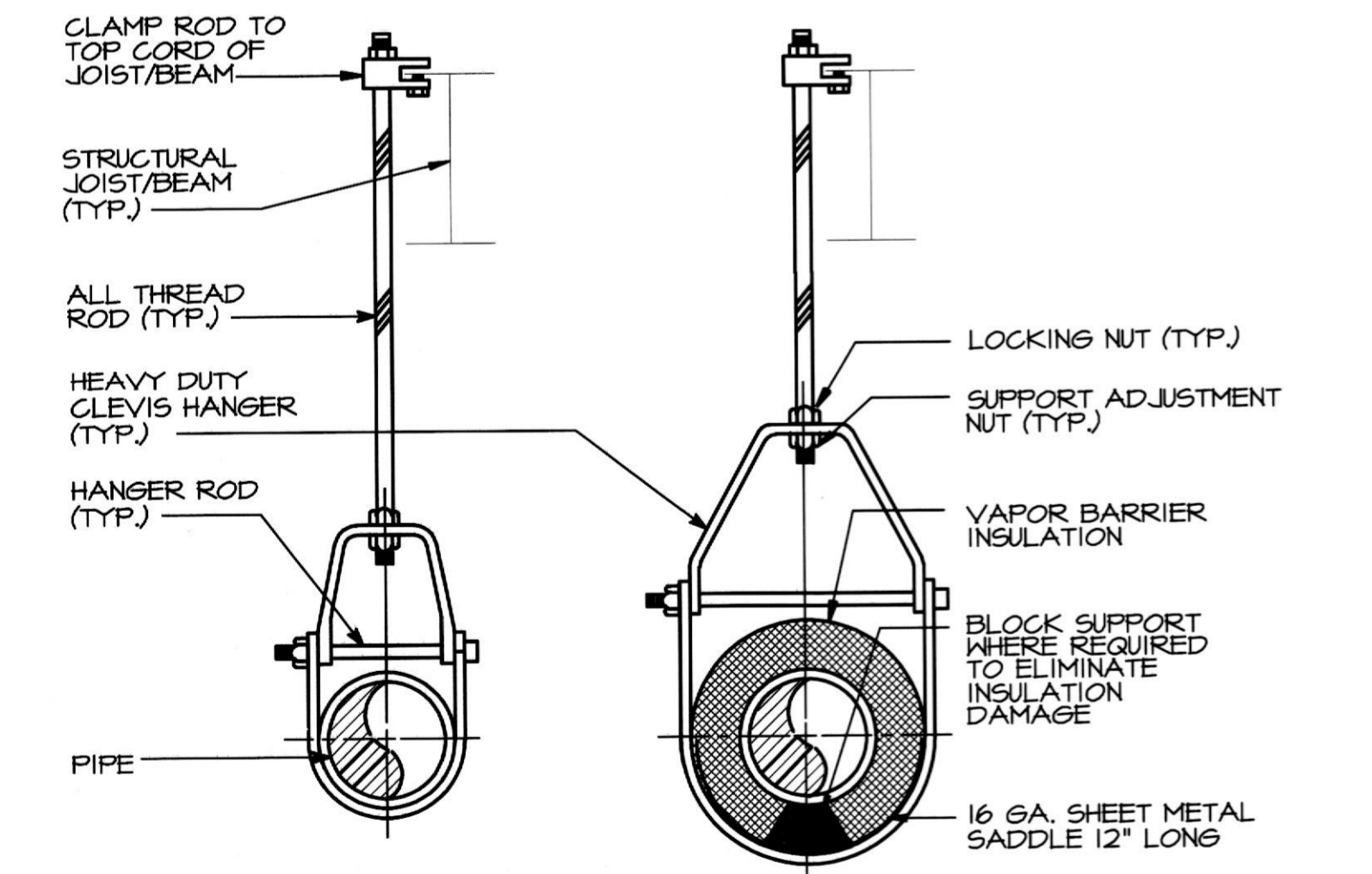
**DRAWING NOTES**

- CONTRACTOR TO FIELD VERIFY/LOCATE EXISTING DOMESTIC HOT AND COLD WATER PIPES ABOVE THE CEILING AND EXTEND NEW DOMESTIC HOT AND COLD FOR PROPER CONNECTION. PROVIDE A BALL VALVE AT POINT OF CONNECTION. ALSO THE PLUMBING CONTRACTOR IS TO UTILIZE THE EXISTING HOT WATER RECIRCULATION SYSTEM FOR EACH PLUMBING FIXTURE.
- DOMESTIC HOT AND COLD WATER PIPE SUPPORTED ABOVE CEILING (TYPICAL).
- DOMESTIC HOT AND COLD WATER PIPING ROUTED IN CABINETRY. BRANCH 1/2" HOT AND COLD WATER TO SERVE EACH SINK. INSTALL POINT OF USE THERMOSTATIC MIXING VALVE BELOW SINK PER THE MANUFACTURER'S RECOMMENDATIONS.
- 1/2" DOMESTIC HOT AND COLD WATER PIPES ROUTED LOW IN WALL TO SERVE EMERGENCY EYEWASH. INSTALL A POINT OF USE THERMOSTATIC MIXING VALVE BELOW SINK PER THE MANUFACTURER'S RECOMMENDATIONS. ALSO PROVIDE/INSTALL A THERMOSTATIC MIXING VALVE IN CABINET TUCKED NEATLY BELOW THE EMERGENCY EYEWASH. REFER TO PIPING SCHEMATIC FOR MORE INFORMATION.
- DOMESTIC HOT AND COLD WATER PIPES ROUTED LOW IN WALL TO SERVE ISLAND SINK. INSTALL A POINT OF USE THERMOSTATIC MIXING VALVE BELOW SINK PER THE MANUFACTURER'S RECOMMENDATIONS.
- CONTRACTOR TO FIELD VERIFY/LOCATE EXISTING DOMESTIC HOT AND COLD WATER PIPES BELOW COUNTER AND EXTEND NEW DOMESTIC HOT AND COLD FOR PROPER CONNECTION.
- ROUTE 1/2" HOT AND COLD WATER PIPES DOWN EXPOSED ON WALL TO THERMOSTATIC MIXING VALVE, BACKFLOW PREVENTER ASSEMBLY, ETC. TO SERVE THE RO SYSTEM. THERMOSTATIC MIXING VALVE AND PUMP PROVIDED BY RO VENDOR. BACKFLOW ASSEMBLY PROVIDED AND INSTALLED BY THE PLUMBING CONTRACTOR. REFER TO THIS SHEET, RO EQUIPMENT BACKFLOW ASSEMBLY DETAIL, FOR MORE INFORMATION. PRIOR TO INSTALL COORDINATE THE EXACT MOUNTING LOCATION WITH THE RO EQUIPMENT VENDOR.



**RO EQUIPMENT BACKFLOW ASSEMBLY SERVICE PIPING SCHEMATIC**  
NO SCALE

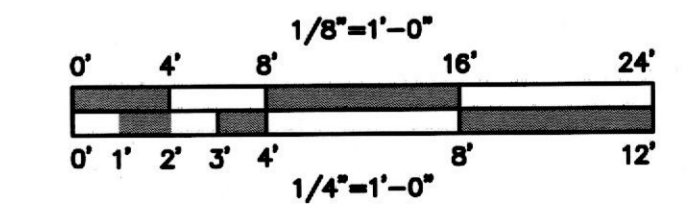
- NOTES:**
- PRIOR TO INSTALL PLUMBING CONTRACTOR TO COORDINATE THE EXACT INSTALL OF THE BACKFLOW ASSEMBLY WITH THE RO VENDOR.
  - THE BACKFLOW ASSEMBLY WITH STRAINER IS PROVIDED AND INSTALLED BY THE PLUMBING CONTRACTOR. EVERYTHING ELSE IS BY THE RO VENDOR.
  - PLUMBING CONTRACTOR TO CONTACT THE COUNTY/CITY TO BE CERTAIN THAT THE BACKFLOW ASSEMBLY MEETS THEIR REQUIREMENTS PRIOR TO PURCHASE/INSTALL.
  - PROVIDE/INSTALL A FUNNEL DRAIN FROM THE RPZ TO AN AIR GAP DRAINAGE AT THE FLOOR SINK.



**PIPE SUPPORT DETAILS**  
NO SCALE

- NOTES:**
- ALL HANGERS FOR COPPER PIPING SHALL BE COPPER COATED.
  - PIPES 4" AND LARGER IN DIAMETER TO BE SUPPORTED FROM ANGLE SUPPORTS SPANNING TWO BEAMS/JOIST.

**FLOOR PLAN-EXISTING CONDITIONS/ NEW WORK (PIPING)**  
SCALE: 1/4"=1'-0"



**Davita**  
Davita Healthcare Partners, Inc.  
2800 16th Street  
Denver, CO 80202

**InSync**  
ARCHITECTURAL  
DESIGNS, INC.  
1218 Old Ploverville Road  
Whiteford, MD 21160  
Office 410-492-8004  
Fax 410-492-8046

**SDI Design, LLC.**  
1111 Chestnut Blvd  
Pueblo, Colorado 81009  
Phone 719-545-1514  
Fax 719-545-1514

**Watts Design, Inc.**  
1111 Chestnut Blvd  
Pueblo, Colorado 81009  
Phone 719-545-1514  
Fax 719-545-1514

1	PERMIT SUBMITTAL	
2	REVISION 1 - OWNER REVISIONS	
3	REVISION 2 - OWNER BASKET CHANGES	

**Davita**  
c/o Davita Healthcare Partners, Inc.  
2000 16th Street  
Denver, CO 80202

**FACILITY MAINTENANCE FOR:**  
**Davita Dialysis**  
**Richmond Kidney - #0507**  
1388 Victory Bldg  
Station Island 10301

**FLOOR PLAN- NEW WORK (PIPING)**

10972  
**P-102.02**