

WALL TYPES:

GENERAL NOTES:

- UNLESS OTHERWISE NOTED, ALL WALL STUDS AND GWP SHALL EXTEND MIN 4" ABOVE FINISHED CEILING AND BE FRACED TO STRUCT AFB UP 45° CC. REFER TO DETAIL 914S.
- APPLIED FINISHES ARE SHOWN ON THE FINISH SCHEDULE.
- PROVIDE NON-COMBUSTIBLE BLOCKING IN WALL AS REQUIRED TO INSTALL CABEWKNS AND WALL MOUNTED ACCESSORIES.
- LEAD SHIELDING (WHERE INDICATED) SHALL BE INSTALLED BEHIND GWP BOARD FOR A MINIMUM HEIGHT OF 7'-0" AFF. WALL LEAD SHALL BE TIED TO LEAD AT ADJACENT WALLS AND SHALL BE INSTALLED BEHIND ANY PENETRATIONS, SUCH AS ELECTRICAL JUNCTION BOXES, TO MAINTAIN A CONTINUOUS BARRIER OF LEAD PROTECTION IN THE THICKNESS INDICATED.
- INSULATION MATERIALS SHALL COMPLY WITH CODE REQUIREMENTS - FLAME SPREAD NO MORE THAN 25 AND SMOKE DEVELOPED INDEX NO MORE THAN 450.

SUFFIX REFERENCE NOTES:

SUFFIX REFERENCE NOTES IDENTIFY ADDITIONAL REQUIREMENTS FOR THE CONSTRUCTION OF WALL TYPES AT THE LOCATIONS INDICATED ON THE PLANS AS NOTED BELOW.

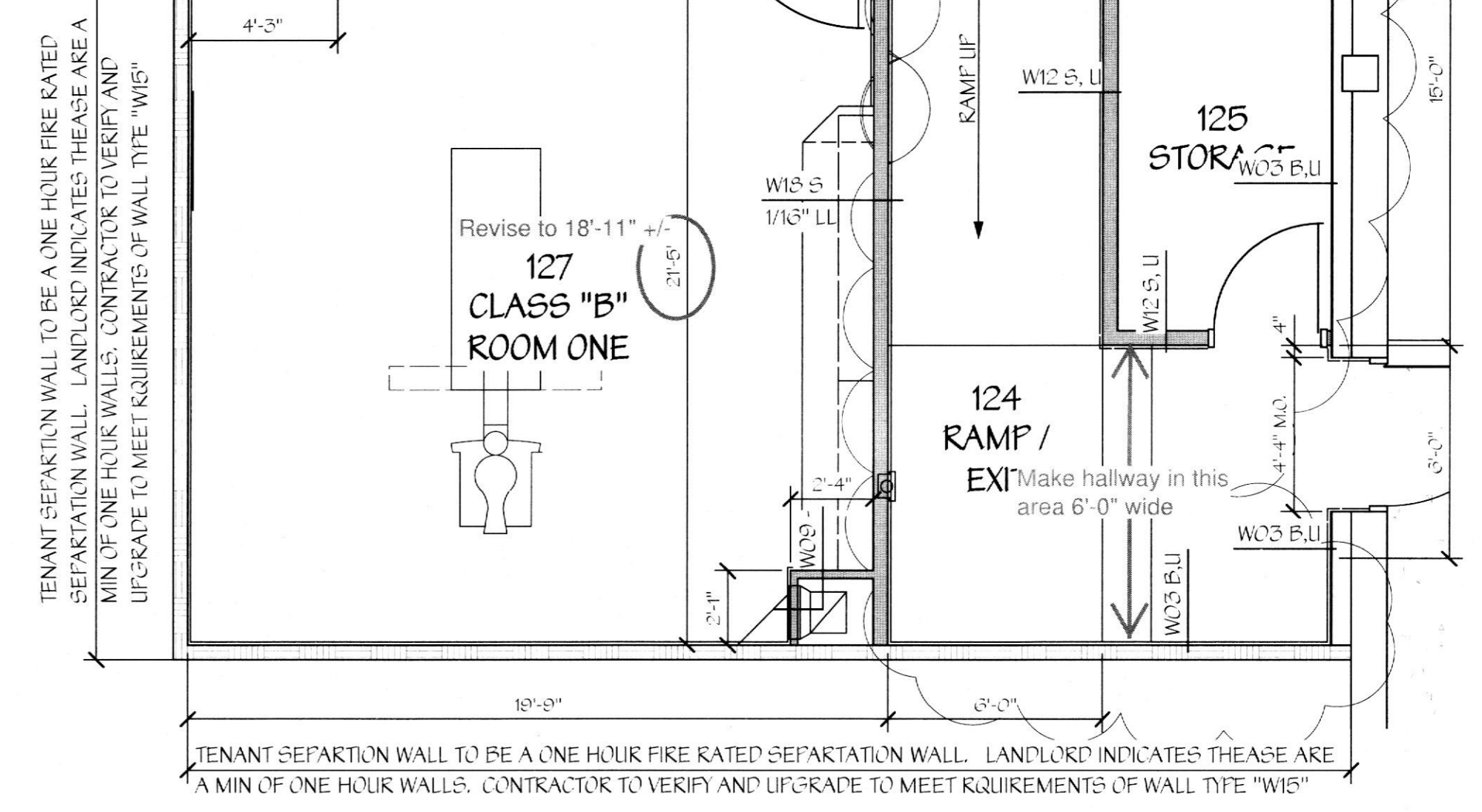
SUFFIX REFERENCE:

- M MATCH EXISTING WALL THICKNESS
- S PROVIDE 3" GWP EQUAL TO SHOT DEPTH IF STUD IS LESS THAN 2" (5/8" PATTS (EXC'D) ATTENTION TO SCHEDULE) TO FULL WALL CAVITY AND TO EXTEND THE FULL HEIGHT OF THE WALL
- U EXTEND FIRE WALLS / SMOKE PARTITION WALLS TO UNDERLIE OF CEILING ABOVE. GWP'S & INSULATION ON EXTERIOR WALLS ALSO.
- P PROVIDE PART INSULATION IN THICKNESS EQUAL TO STUD DEPTH. NOTE - INSTALL 4" PATTS AT ALL EXTERIOR WALLS
- K 1/2" INSULATION IN THICKNESS EQUAL TO FINISH DEPTH
- N 1/2" MOISTURE RESISTANT Gypsum WALL BOARD TO EXTEND FULL HEIGHT ON WET SIDE OF WALL. (SEE GENERAL NOTE #5 ALSO)
- FW FIRE RATED WALL
- FF FIRE RATED PARTITION
- SP SMOKE PARTITION (SEE PLAN FOR AFFICABLE FIRE RATING)

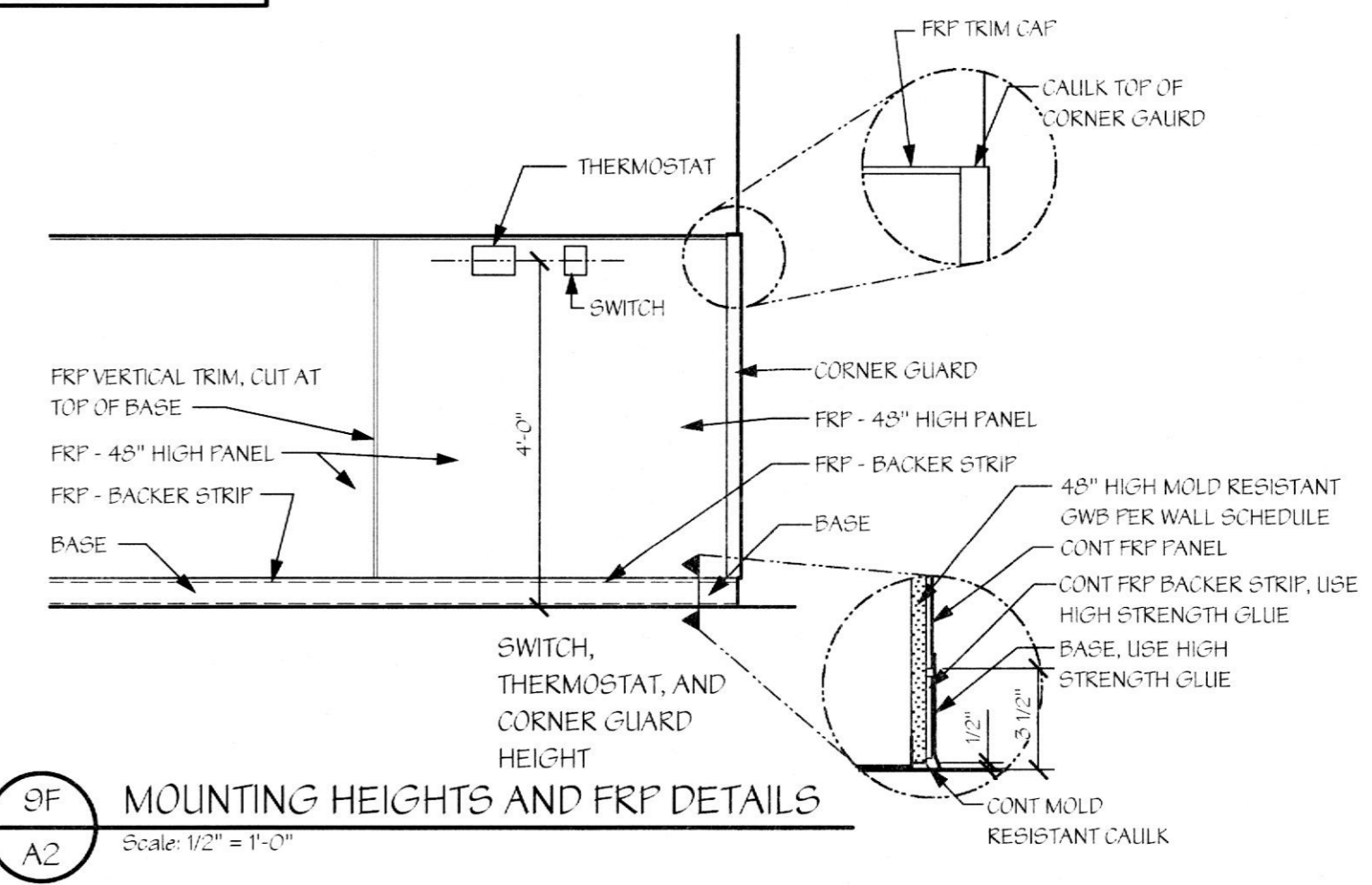
CONCEALED PARTITION MARKINGS:

ONE HOUR FIRE WALLS
SEE DIMENSIONAL PLAN - SUFFIX DESIGNATION "FW"
PAINT IN 2" HIGH "RED" LETTERING THE FOLLOWING:
"ONE HOUR FIRE WALL", SIGNALS TO BE LOCATED ABOVE CEILING AT A MAXIMUM SPACING OF 2' HORIZONTAL.

ONE HOUR FIRE WALLS
SEE DIMENSIONAL PLAN - SUFFIX DESIGNATION "FW"
PAINT IN 2" HIGH "RED" LETTERING THE FOLLOWING:
"ONE HOUR FIRE WALL", SIGNALS TO BE LOCATED ABOVE CEILING AT A MAXIMUM SPACING OF 2' HORIZONTAL.



FLOOR PLAN - DIMENSIONS
Scale: 1/8" = 1'-0"



MOUNTING HEIGHTS AND FRP DETAILS
Scale: 1/2" = 1'-0"

DIMENSION PLAN & WALL SCHEDULE

Scale: 1/8" = 1'-0"

REV#	DATE	DESCRIPTION
#1	7/13/13	OWNER BUDGET REVISIONS

DRAWING NO. **A-102.00**

DATE: 8/15/13
JOB NUMBER: 11206
CHECKED BY: JSC

NOTE: CONTRACTOR AND SUB-CONTRACTORS SHALL VISIT THIS BUILDING AND TENANT AREA AND BE FAMILIAR WITH ALL THE EXISTING CONDITIONS PRIOR TO CONTRACT AWARD

ISSUED FOR BUILDING PERMIT

Richard J. Stern, P.E.
Mechanical - Electrical
2741 Furnace Road
Fulton, PA 17532
Phone: 717-891-6026

TENANT RENOVATIONS FOR:
Access Center
1733 Eastchester Road
Bronx, NY 10461

Lifeline
Vascular Access

In Sync
ARCHITECTURAL DESIGNS, INC.
1213 Old Parkville Road
Whiteford, MD 21160
Office: 410-462-8006
Fax: 410-462-8048

