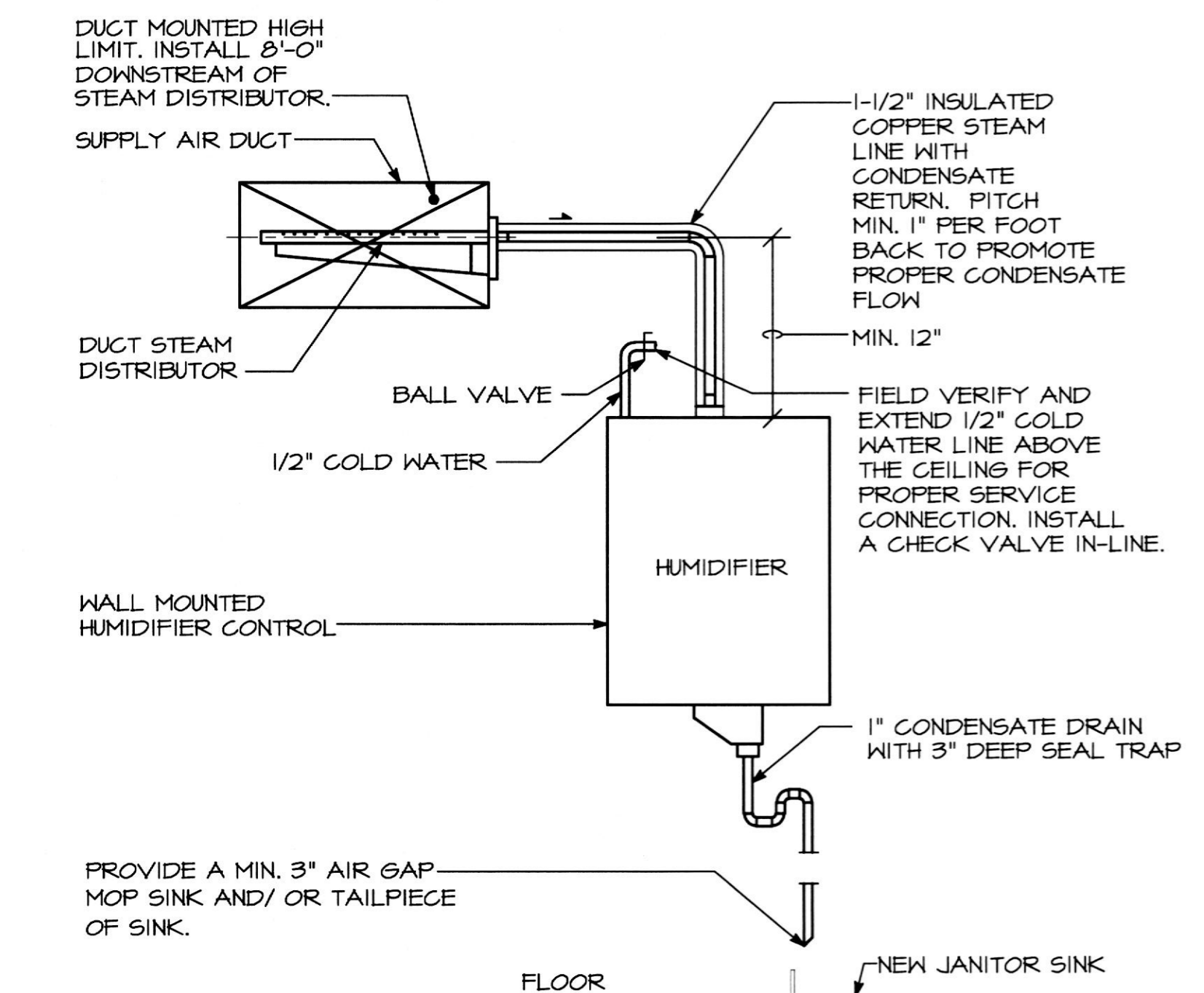


**SANITARY RISER DIAGRAM**  
NO SCALE (SLOPE AT 1/8" PER FOOT)

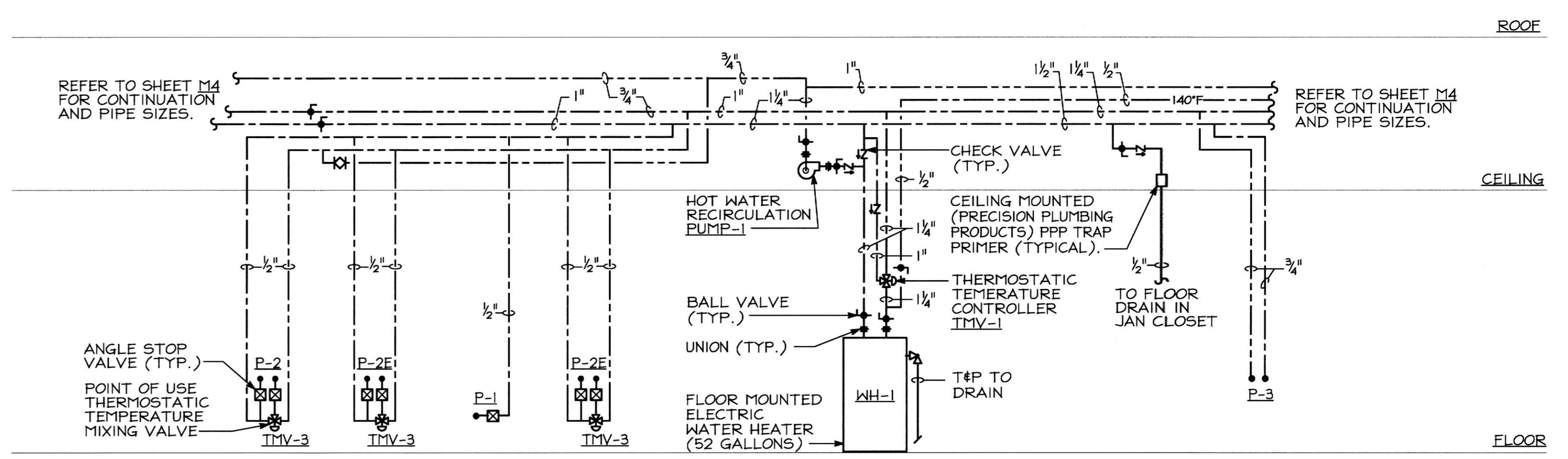
CONTRACTOR TO FIELD VERIFY/DETERMINE EXACT LOCATION, INVERT AND DIRECTION THE OF EXISTING SANITARY PIPE AND MAKE PROPER CONNECTION.



**HUMIDIFIER DETAIL**  
NO SCALE

ITEM #	DESCRIPTION	PIPE SIZES				TRAP TYPE	REMARKS
		C.W.	H.W.	SAN.	VENT		
P-1	WATER CLOSET	1/2"	-	4"	2"	INTEGRAL	HANDICAPPED
P-1A	BEDPAN CLEANER	1/2"	-	-	-	-	-
P-1B	CLINIC SERVICE SINK	1"	-	4"	2"	"P"	-
P-2	WALL HUNG SINK	1/2"	1/2"	2"	2"	"P"	HANDICAPPED
P-2A	NURSE/CLEAN WORK SINK	1/2"	1/2"	2"	2"	"P"	ONLY THE NURSE WORK SINK TO BE PROVIDED WITH EYE WASH
P-2B	LOUNGE/CONFERENCE SINK	1/2"	1/2"	2"	2"	"P"	-
P-2C	SCRUB SINK	1/2"	1/2"	2"	2"	"P"	-
P-2D	SOLED WORK AREA	1/2"	1/2"	2"	2"	"P"	12" DEEP BOWL
P-2E	EXAM SINK	1/2"	1/2"	2"	2"	"P"	HANDICAPPED
P-2F	PATIENT RECOVERY HAND SINK	1/2"	1/2"	2"	2"	"P"	HANDICAPPED
P-3	JANITOR'S SINK	3/4"	3/4"	3"	2"	"P"	-
P-4	REFRIG. ICE MAKER	1/2"	-	-	-	-	-
P-5	WATER FOUNTAIN	1/2"	-	2"	2"	"P"	HANDICAPPED

**NOTES:**  
1) ALL EQUIPMENT SHALL BE AS SCHEDULED OR EQUAL.  
TMV-1 THERMOSTATIC MIXING VALVE (POINT OF USE AT THE WATER HEATER ONLY.) LEONARD (SYMMONS OR LEONARD) THERMOSTATIC TEMPERATURE CONTROLLER MODEL #XL-82, ASSE 1071 CERTIFIED. FIELD SET TEMPERATURE AT 120°F MAXIMUM LEAVING WATER HEATER.  
PLUMBING CONTRACTOR SHALL INSTALL AND PIPE THERMOSTATIC MIXING VALVE PER THE MANUFACTURER'S INSTRUCTIONS.  
TMV-2 THERMOSTATIC MIXING VALVE (EYEWASH) LEONARD MODEL #TA-300 THERMOSTATIC MIXING VALVE WITH WITH TEMPERATURE LIMIT STOP, DIAL THERMOMETER ON THE OUTLET, MOUNTING BRACKETS, MIN. FLOW OF A 1/2 GPM @ 5 PSI SUPPLY PRESSURE, 1/2" INLETS, ANGLE CHECKSTOP ON INLETS, AND ROUGH BRONZE FINISH. ASSE 1071 CERTIFIED.  
NOTE: FIELD SET TEMPERATURE ±75°F  
TMV-3 THERMOSTATIC MIXING VALVE (POINT OF USE AT ALL SINKS EXCEPT P-2C) SYMMONS (LAWLER OR LEONARD) 'MAXLINE' MODEL #5-210-CX-NI THERMOSTATIC MIXING VALVE WITH 3/8" INLET AND OUTLET WITH COMPRESSION FITTINGS, BRASS AND BRONZE BODY, STAINLESS STEEL FLOW CONTROL COMPONENTS, VANDAL RESISTANT LOCKABLE HANDLE, SEPARATE CHECKS, WALL BRACKETS, ROUGH CHROME FINISH. ASSE 1070 CERTIFIED. FIELD SET TEMPERATURE AT 110°F MAXIMUM.

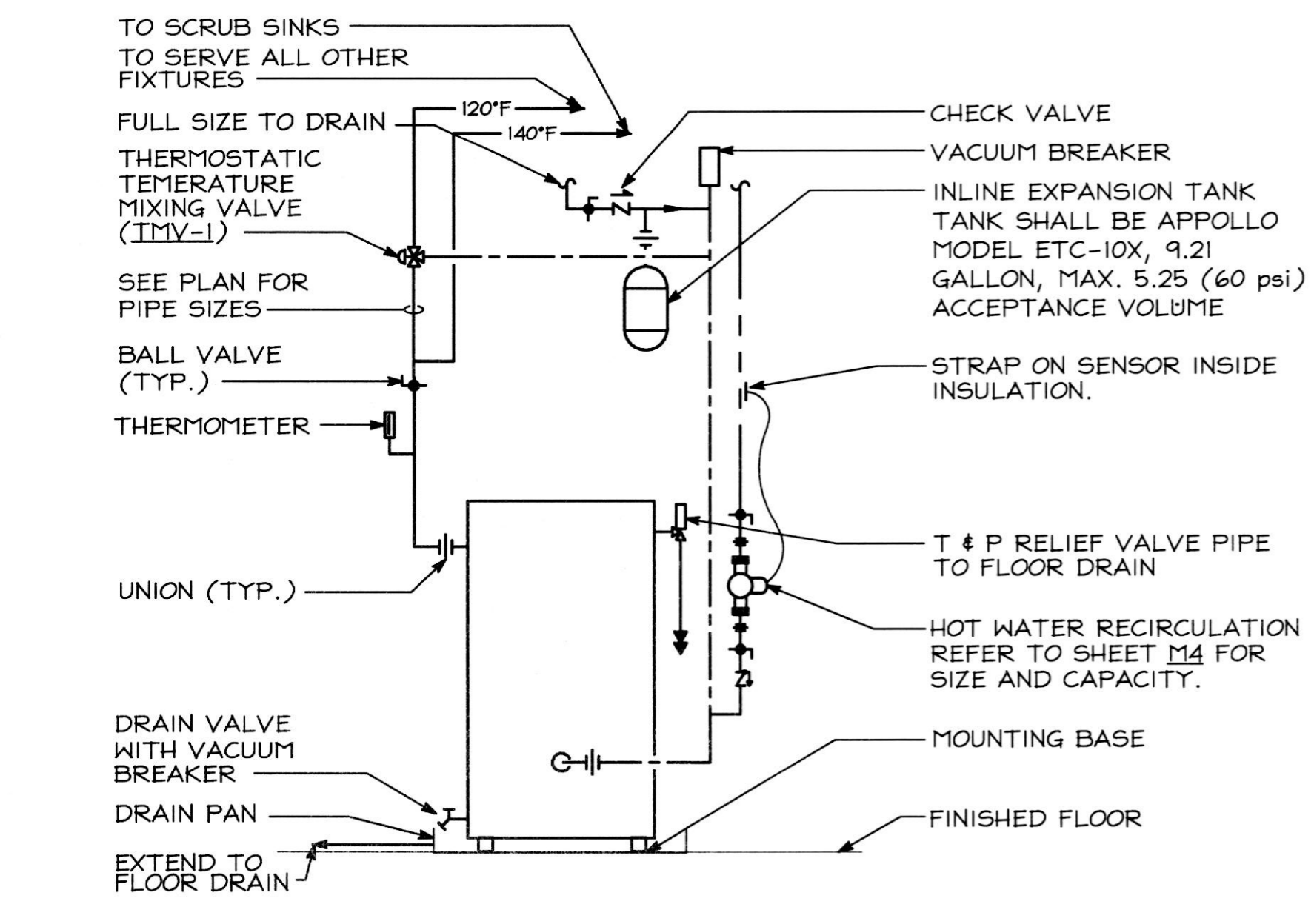


**DOMESTIC WATER RISER DIAGRAM**  
NO SCALE

**NOTES:**  
1) ALL TRAPS FOR FLOOR DRAINS SERVING THE TOILET ROOMS TO BE PRIMED FROM THE NEAREST TOILET.  
2) ALL TRAPS FOR FLOOR DRAINS TO BE PRIMED THROUGHOUT THE SPACE, BESIDES THE TOILET ROOM FLOOR DRAINS. PLUMBING CONTRACTOR TO BE SURE ALL TRAPS FOR EACH FLOOR DRAIN TO BE PRIMED. IF NOT SHOWN THEN PROVIDE/INSTALL A PPP TRAP PRIMER AS REQUIRED (MED VAC., MED. TRASH, JAN.CLOSET, ETC). ALSO INSTALL/PROVIDE PPP TRAP PRIMER FOR RECESSED WALL BOX TRAP.  
3) ALL SINKS REQUIRED TO HAVE INSTALLED A POINT OF USE OF USE THERMOSTATIC MIXING VALVE, EXCEPT THE SCRUB SINK. REFER THIS SHEET, BELOW PLUMBING FIXTURE SCHEDULE FOR MORE INFORMATION.

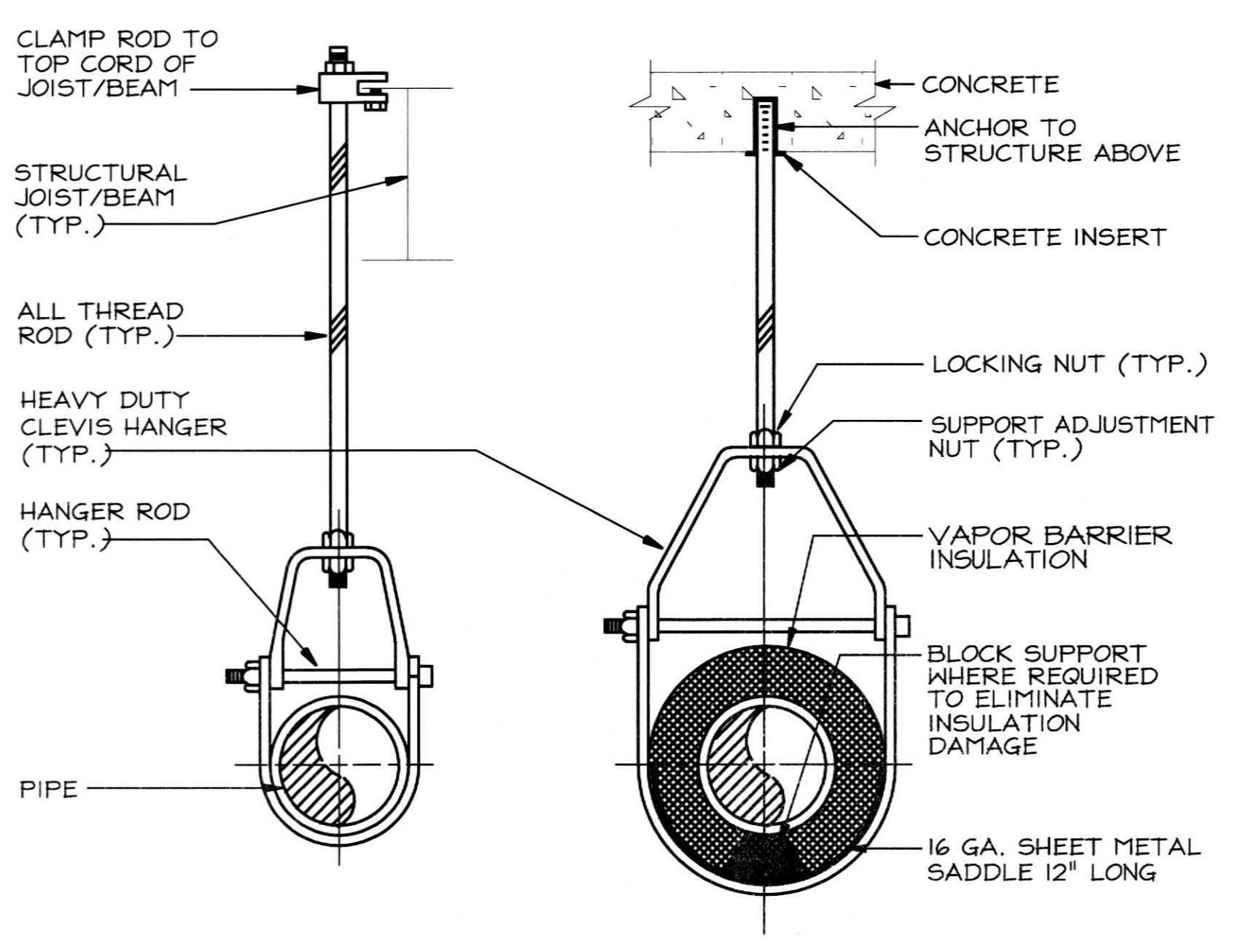
ITEM #	AREA SERVED	KW ELEMENT	SIZE (IN. X IN.)	RECOVERY RATE (GPH)	TANK CAPACITY (GALLONS)	PIPE CONNECTIONS INLET (IN.)	PIPE CONNECTIONS OUTLET (IN.)	ELEC. DATA	MANUFACTURER/ MODEL #
WH-1	TOILET RMS, LOUNGE, ETC.	9.0	55 1/2" x 21 3/4"	37	52	3/4"	3/4"	208v/3Ø	STATE/CSB 52 9 IFE

**NOTE:**  
1) PROVIDE 100°F TEMPERATURE WATER RISE FOR 40°F ENTERING WATER TEMPERATURE.



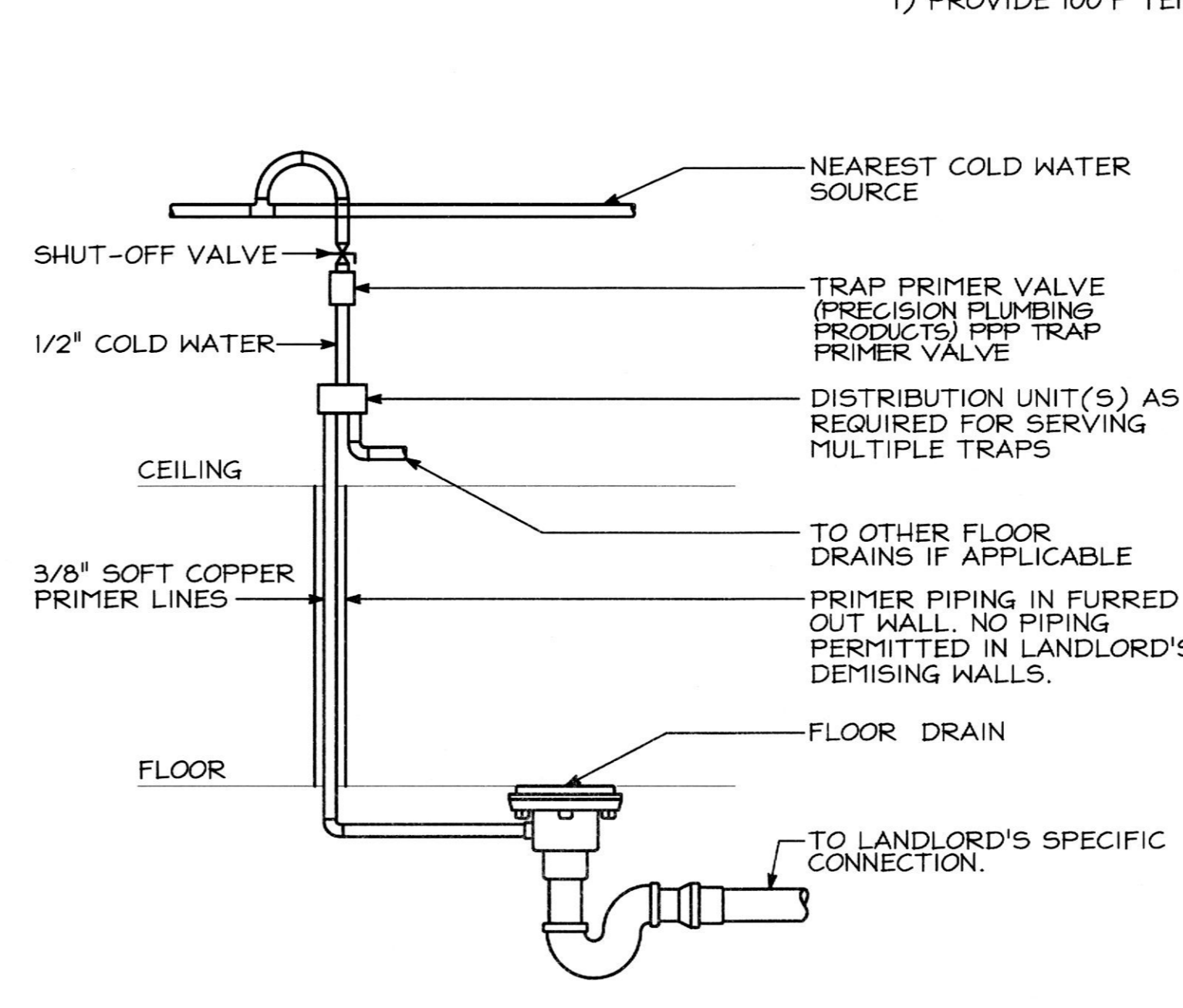
**ELECTRIC WATER HEATER PIPING SCHEMATIC**  
NO SCALE

**NOTES:**  
1) HOT WATER RECIRCULATION PUMP TO BE CONTROLLED BY AQUASTAT.  
2) CONTRACTOR TO INSTALL AND SET THERMAL MIXING VALVE AT WATER HEATER PER COUNTY/CITY ANIT-SCALED REQUIREMENTS.

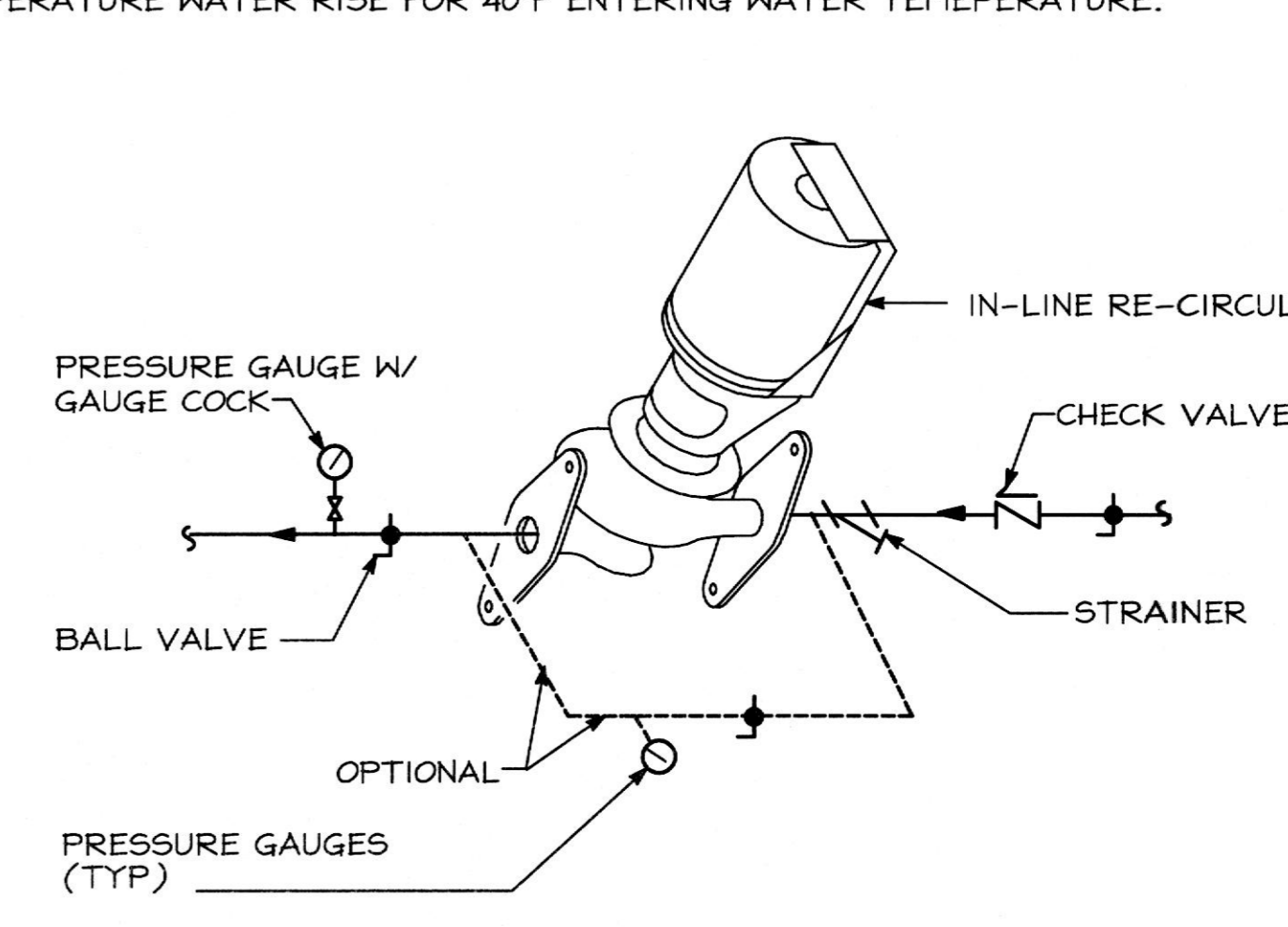


**PIPE SUPPORT DETAIL**  
NO SCALE

**NOTE:**  
1) ALL HANGERS FOR COPPER PIPING SHALL BE COPPER COATED.

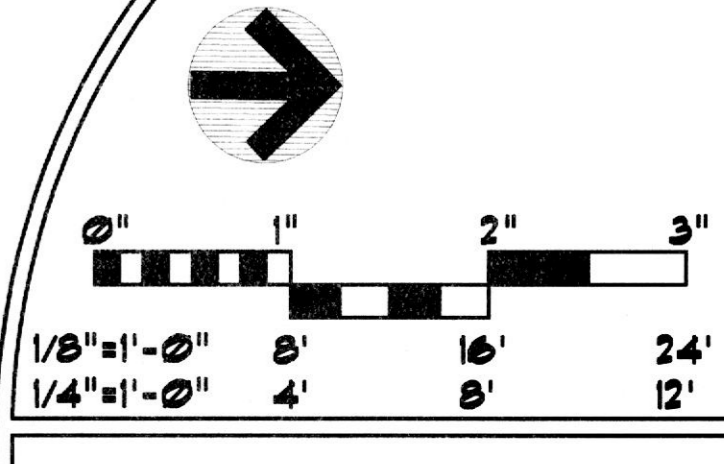


**FLOOR DRAIN AND TRAP PRIMER DETAIL**  
NO SCALE



**IN-LINE RE-CIRCULATING PUMP PIPING**  
NO SCALE

**NOTE:**  
1) CONTRACTOR TO PROVIDE AND INSTALL CIRCULATING TIMER FOR PUMP THAT COMPLIES WITH IECC 2000 EDITION SECTION 804.



**RISER DIAGRAMS**

REV#	DATE	DESCRIPTION
1	7/16/13	OWNER'S REVISION

DRAWING NO.	P-103.00
SHEET	8 OF 9
DATE	4/19/13
DRAWN BY	DLT
DATE NUMBER CHECKED BY	112.06 DLT
DATE	DLT

ISSUED FOR BUILDING PERMIT

To the best of my knowledge, belief and professional judgment, the design and specifications are in compliance with Section 101.4.4 of the New York City Energy Conservation Code (NYCECC).

Richard J. Stern, P.E.  
2741 Frances Road  
Fellman, PA 17332  
Phone: 717-891-6026

TENANT RENOVATIONS FOR:  
Access Center  
1733 Eastchester Road  
Bronx, NY 10461

Lifeline  
Vascular Access

InSync  
ARCHITECTURAL DESIGNS, INC.  
128 Old Pyleville Road  
Whiteford, MD 21160  
Office: 410-482-8006 Fax: 410-482-8046

IAA