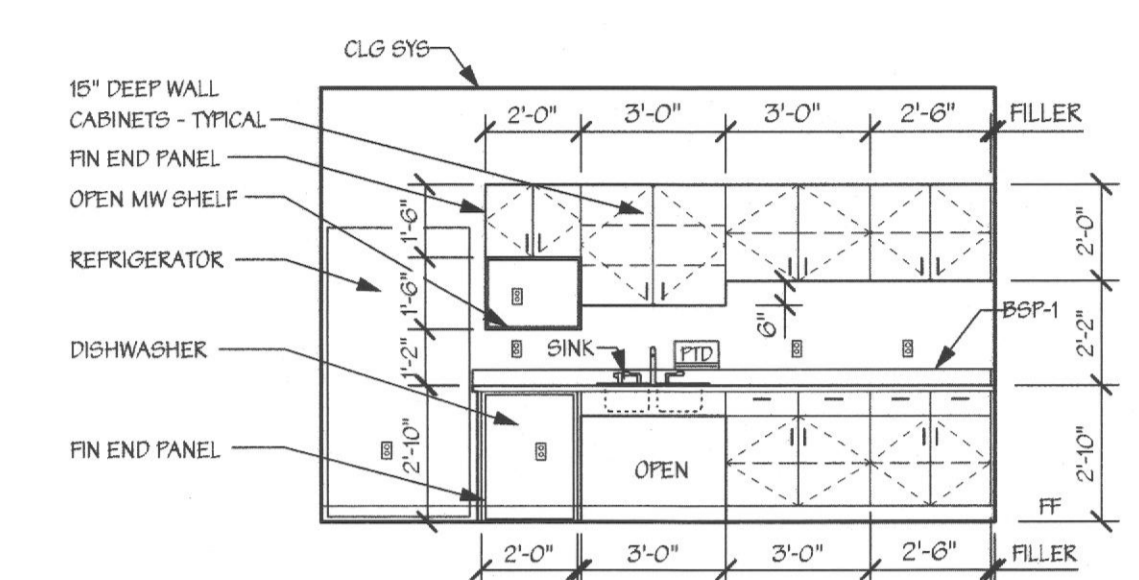
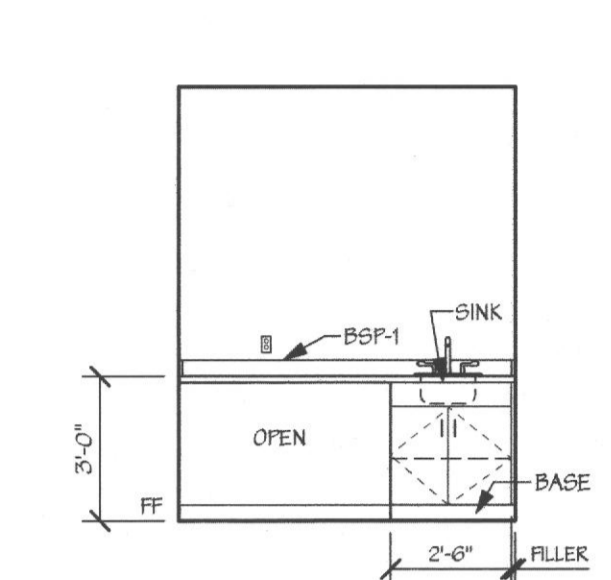


1F 208 EXAMINATION
Scale: 1/4" = 1'-0"
PLASTIC LAMINATE COLORS:
CABINETS - "FLAS LAM B",
COUNTERTOPS - "FLAS LAM A"

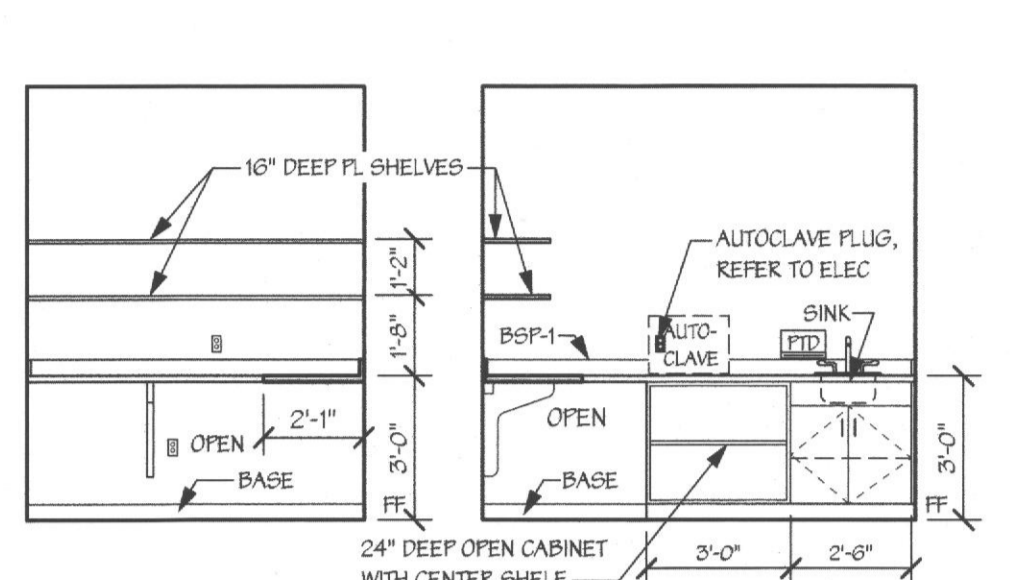
1G WHEELCHAIRS
Scale: 1/4" = 1'-0"
PLASTIC LAMINATE COLORS:
BASE / WALL CABINETS - "FLAS LAM B",
COUNTERTOPS - "FLAS LAM A"



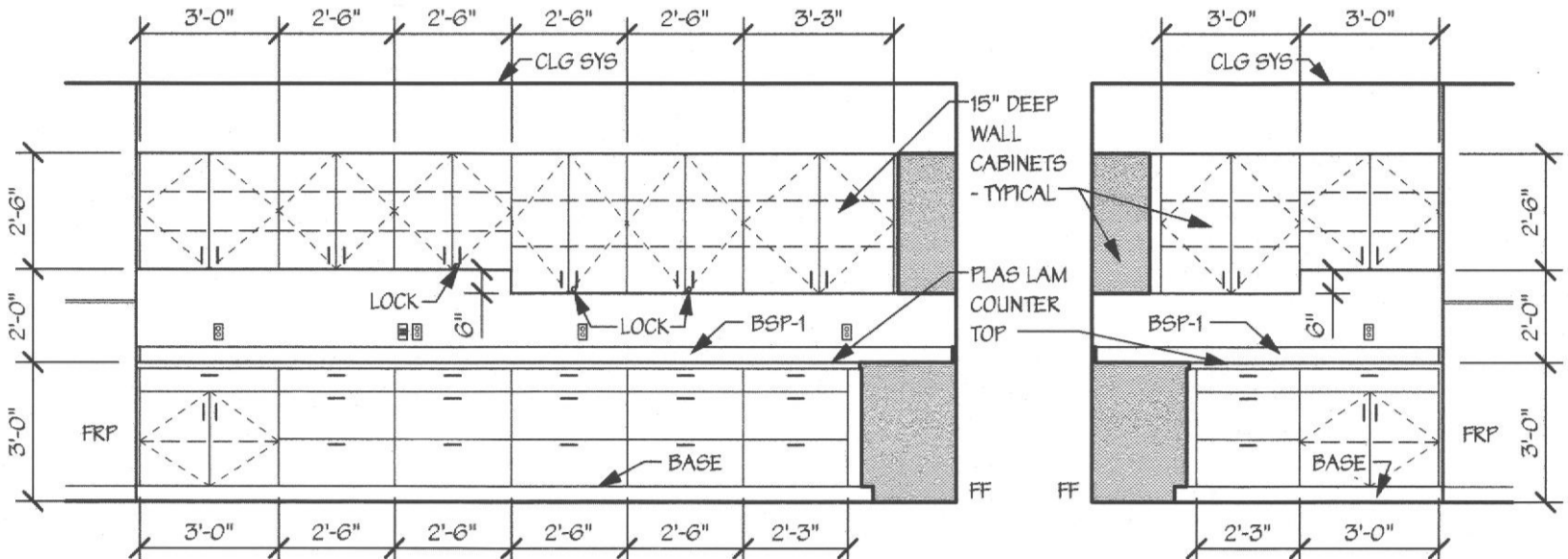
3B 202 LOUNGE
Scale: 1/4" = 1'-0"
PLASTIC LAMINATE COLORS:
WALL CABINETS - "FLAS LAM B",
BASE CABINETS - "FLAS LAM B",
COUNTERTOPS - "FLAS LAM A"



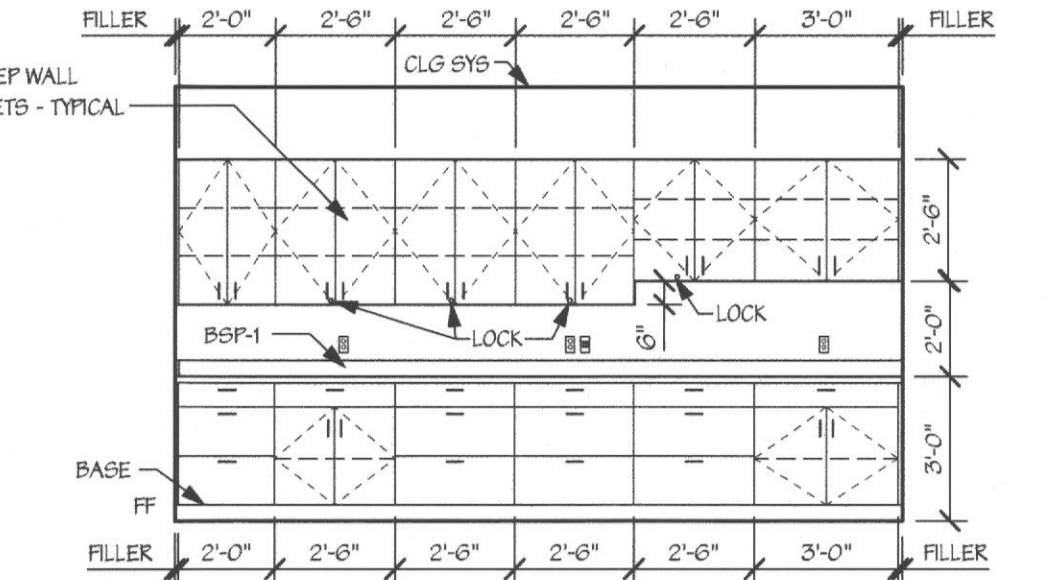
3C 130 SOILED WORK
Scale: 1/4" = 1'-0"
PLASTIC LAMINATE COLORS:
CABINETS - "FLAS LAM B",
COUNTERTOPS - "FLAS LAM A"



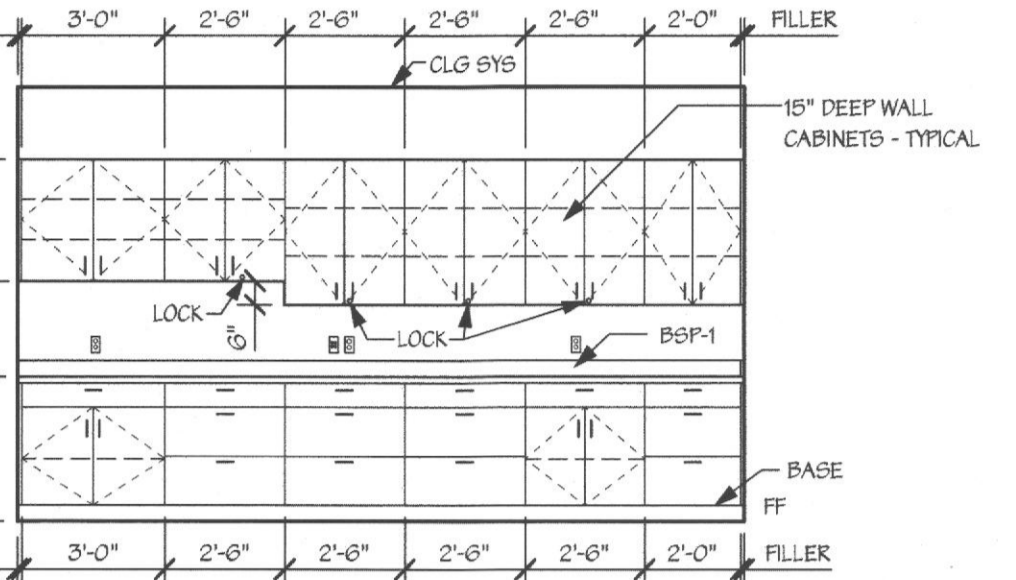
3D 129 CLEAN WORK AREA
Scale: 1/4" = 1'-0"
PLASTIC LAMINATE COLORS:
WALL CABINETS - "FLAS LAM B",
BASE CABINETS - "FLAS LAM B",
COUNTERTOPS - "FLAS LAM A"



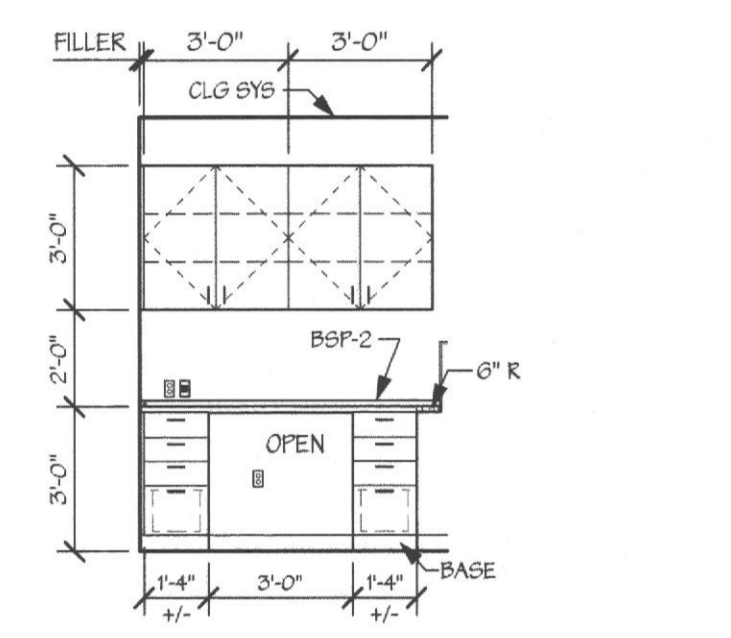
3E 128 O.R. ROOM THREE
Scale: 1/4" = 1'-0"
PLASTIC LAMINATE COLORS:
WALL CABINETS - "FLAS LAM B",
BASE CABINETS - "FLAS LAM B",
COUNTERTOPS - "FLAS LAM A"



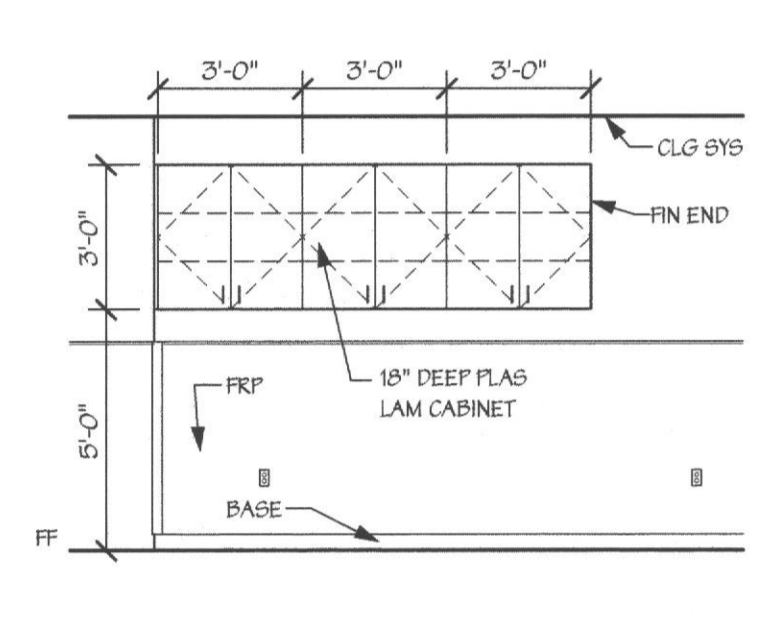
3F 127 O.R. ROOM TWO
Scale: 1/4" = 1'-0"
PLASTIC LAMINATE COLORS:
WALL CABINETS - "FLAS LAM B",
BASE CABINETS - "FLAS LAM B",
COUNTERTOPS - "FLAS LAM A"



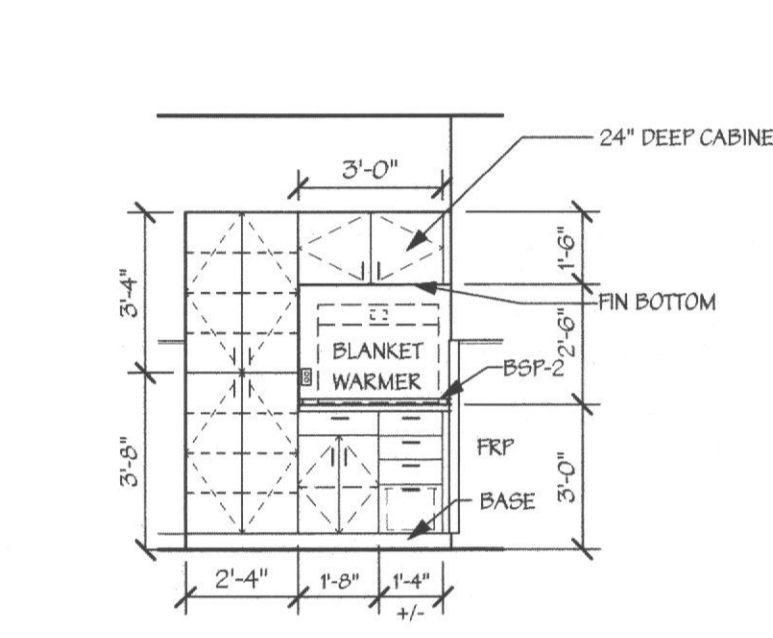
3G 126 O.R. ROOM ONE
Scale: 1/4" = 1'-0"
PLASTIC LAMINATE COLORS:
WALL CABINETS - "FLAS LAM B",
BASE CABINETS - "FLAS LAM B",
COUNTERTOPS - "FLAS LAM A"



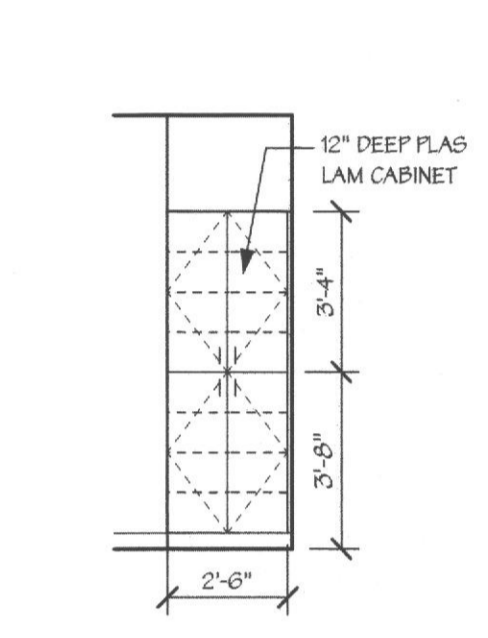
5A 124 DOCUMENTATION
Scale: 1/4" = 1'-0"
PLASTIC LAMINATE COLORS:
WALL CABINETS - "FLAS LAM B",
BASE CABINETS - "FLAS LAM B",
COUNTERTOPS - "FLAS LAM A"



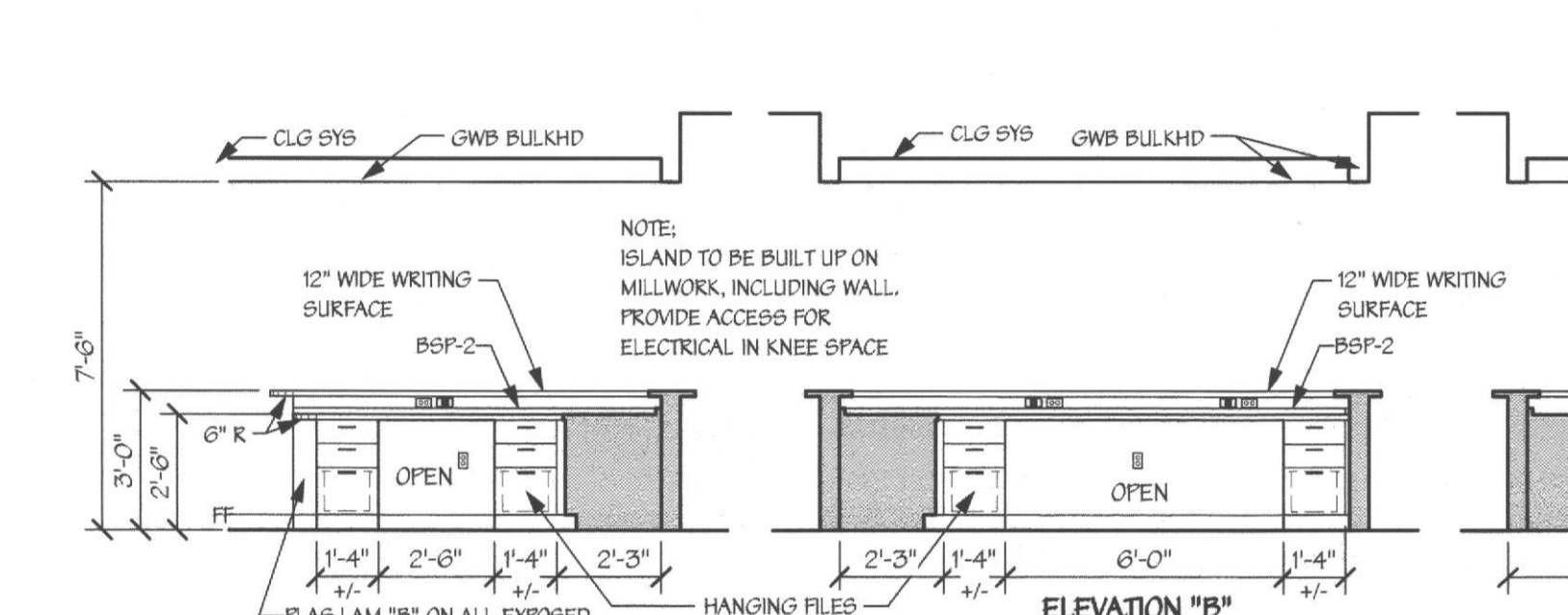
5B 123 SEMI-RESTRICTED PASSAGE
Scale: 1/4" = 1'-0"
PLASTIC LAMINATE COLORS:
BASE / WALL CABINETS - "FLAS LAM B",
COUNTERTOPS - "FLAS LAM A"



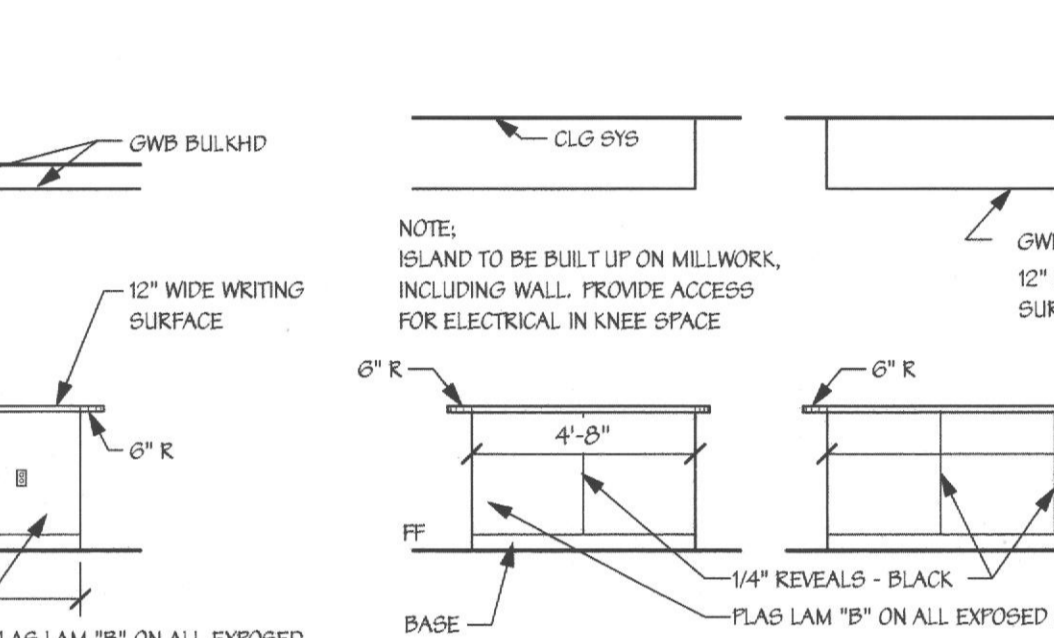
5C 123 SEMI-RESTRICTED PASSAGE
Scale: 1/4" = 1'-0"
PLASTIC LAMINATE COLORS:
BASE / WALL CABINETS - "FLAS LAM B",
COUNTERTOPS - "FLAS LAM A"



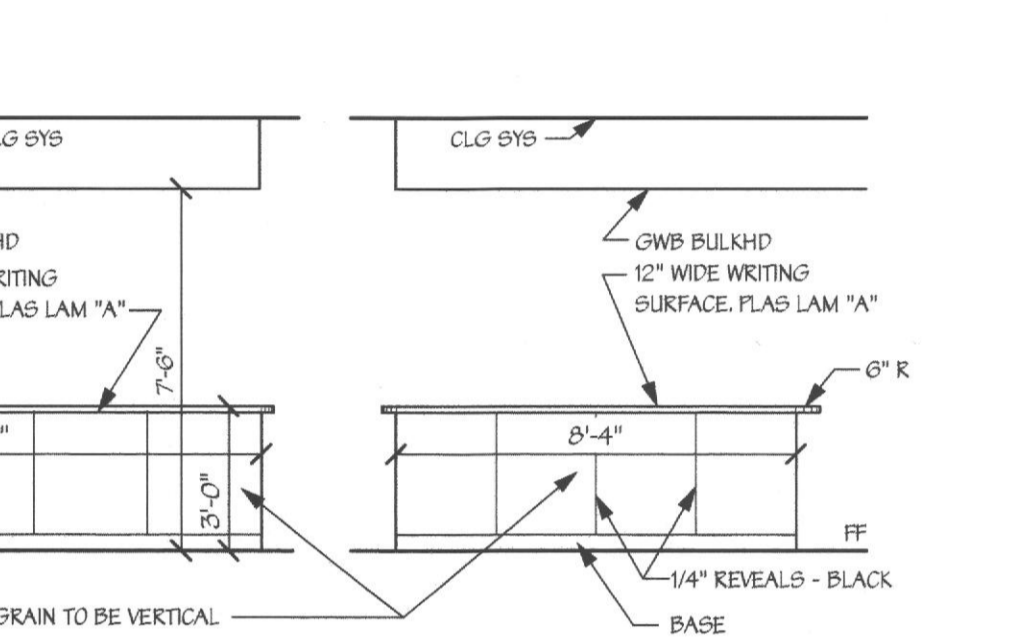
5D 115 TOILET
Scale: 1/4" = 1'-0"
PLASTIC LAMINATE COLORS:
WALL CABINETS - "FLAS LAM B",
BASE CABINETS - "FLAS LAM B",
COUNTERTOPS - "FLAS LAM A"



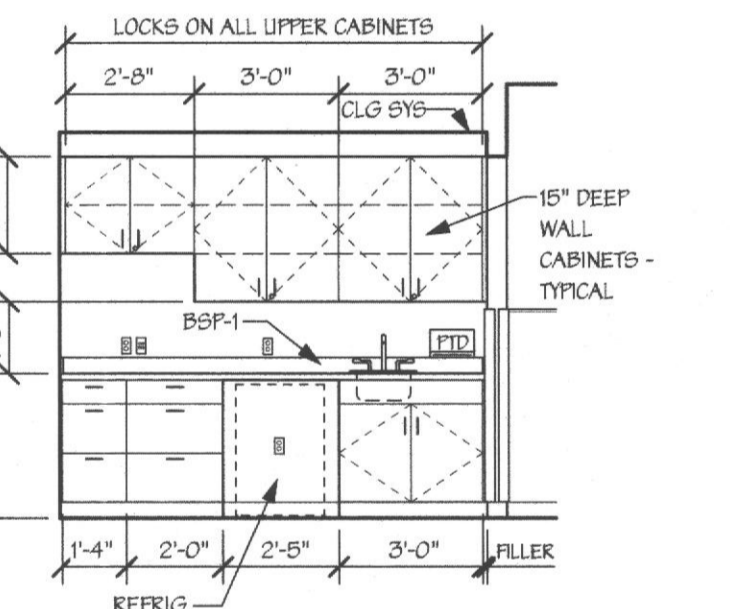
5F 122 NURSE CONTROL
Scale: 1/4" = 1'-0"
PLASTIC LAMINATE COLORS:
WALL CABINETS - "FLAS LAM B",
BASE CABINETS - "FLAS LAM B",
COUNTERTOPS - "FLAS LAM A"



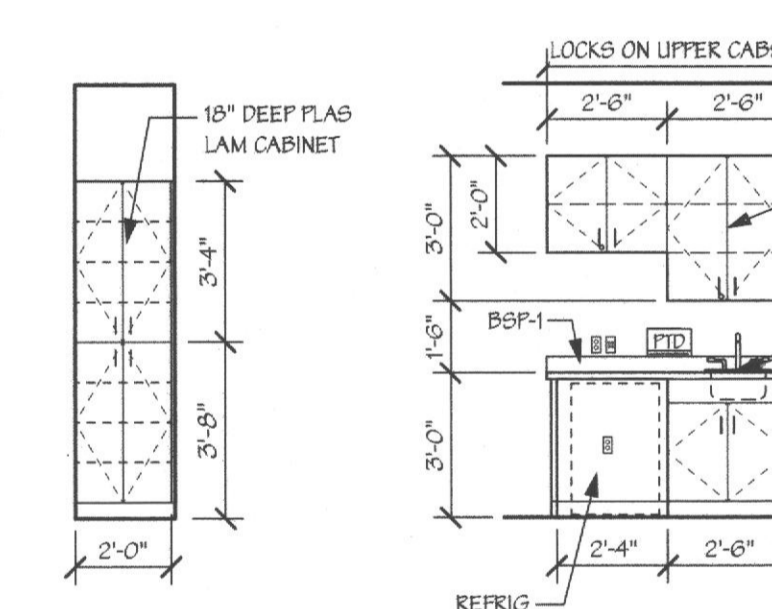
5G 122 NURSE CONTROL
Scale: 1/4" = 1'-0"
PLASTIC LAMINATE COLORS:
WALL CABINETS - "FLAS LAM B",
BASE CABINETS - "FLAS LAM B",
COUNTERTOPS - "FLAS LAM A"



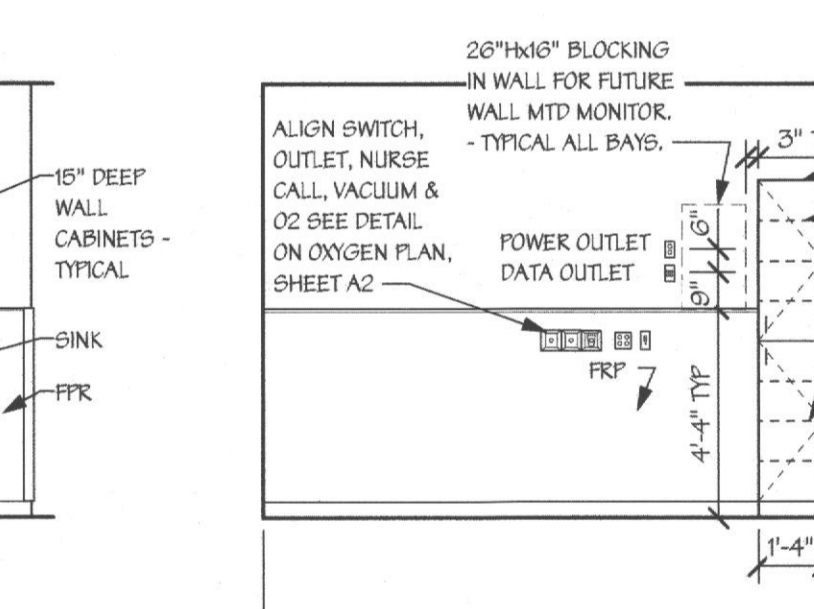
5H 122 NURSE CONTROL
Scale: 1/4" = 1'-0"
PLASTIC LAMINATE COLORS:
WALL CABINETS - "FLAS LAM B",
BASE CABINETS - "FLAS LAM B",
COUNTERTOPS - "FLAS LAM A"



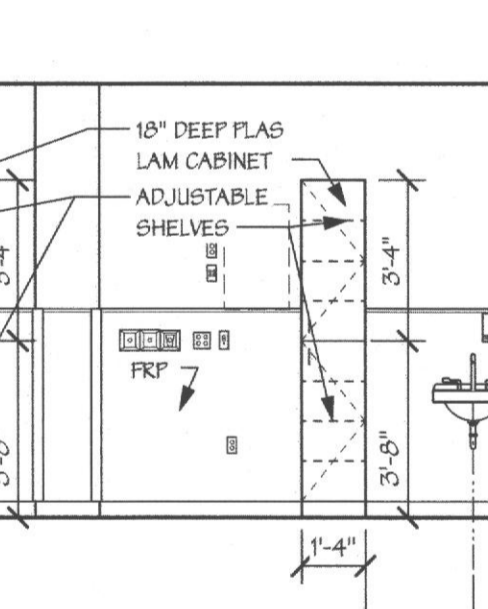
6A 122 NURSE CONTROL
Scale: 1/4" = 1'-0"
PLASTIC LAMINATE COLORS:
WALL CABINETS - "FLAS LAM B",
BASE CABINETS - "FLAS LAM B",
COUNTERTOPS - "FLAS LAM A"



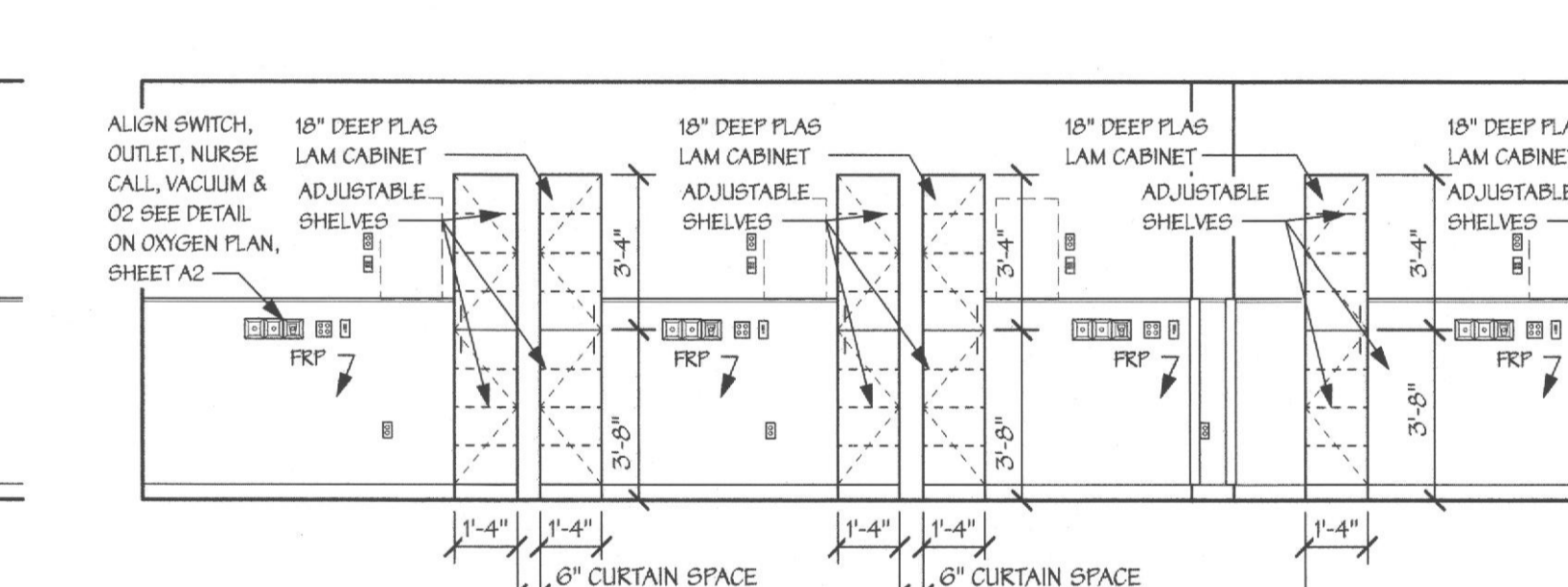
6B 121 TOILET
Scale: 1/4" = 1'-0"
PLASTIC LAMINATE COLORS:
WALL CABINETS - "FLAS LAM B",
BASE CABINETS - "FLAS LAM B",
COUNTERTOPS - "FLAS LAM A"



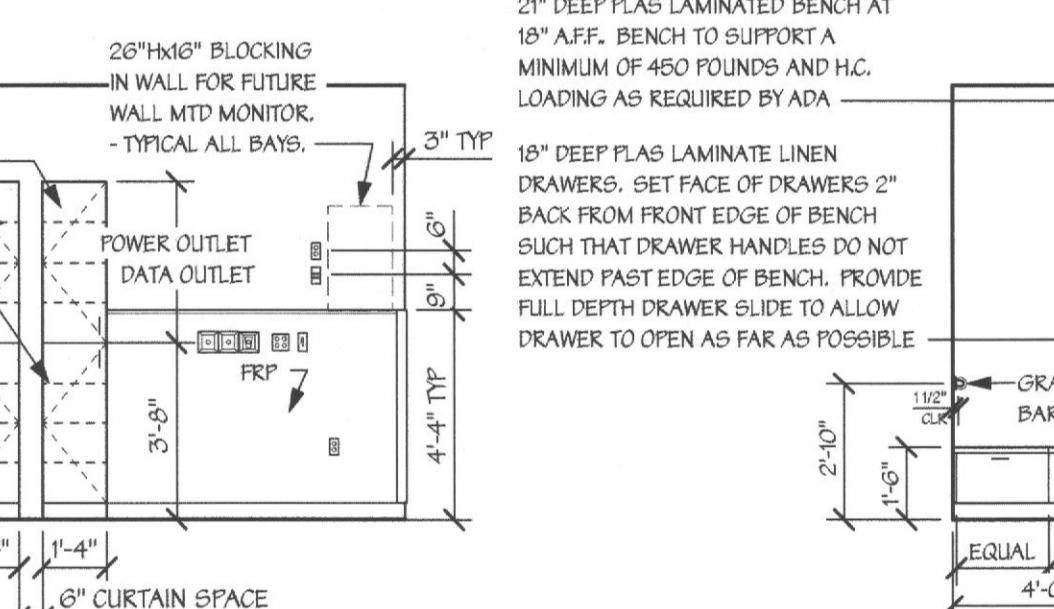
6C 117 PREP
Scale: 1/4" = 1'-0"
PLASTIC LAMINATE COLORS:
WALL CABINETS - "FLAS LAM B",
BASE CABINETS - "FLAS LAM B",
COUNTERTOPS - "FLAS LAM A"



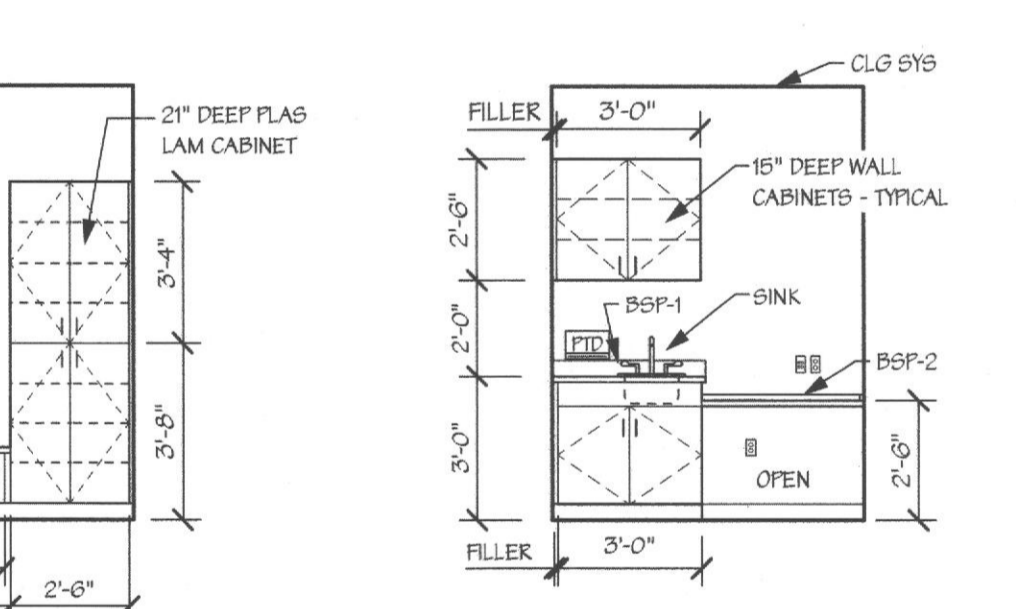
6D 118 PATIENT PREP / 119 RECOVERY
Scale: 1/4" = 1'-0"
PLASTIC LAMINATE COLORS:
WALL CABINETS - "FLAS LAM B",
BASE CABINETS - "FLAS LAM B",
COUNTERTOPS - "FLAS LAM A"



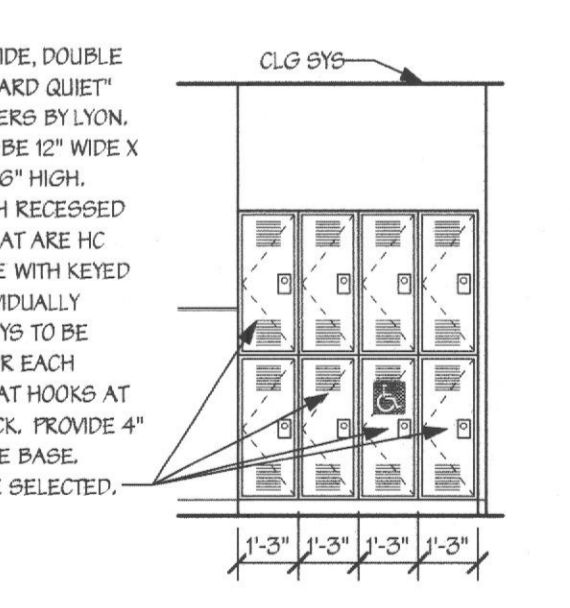
6F 118 PATIENT PREP / 119 RECOVERY
Scale: 1/4" = 1'-0"
PLASTIC LAMINATE COLORS:
WALL CABINETS - "FLAS LAM B",
BASE CABINETS - "FLAS LAM B",
COUNTERTOPS - "FLAS LAM A"



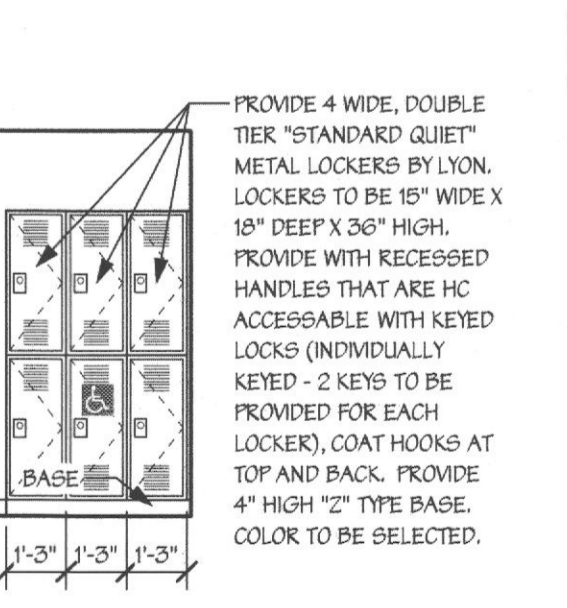
6G 117 PATIENT DRESS / TOILET
Scale: 1/4" = 1'-0"
PLASTIC LAMINATE COLORS:
WALL CABINETS - "FLAS LAM B",
BASE CABINETS - "FLAS LAM B",
COUNTERTOPS - "FLAS LAM A"



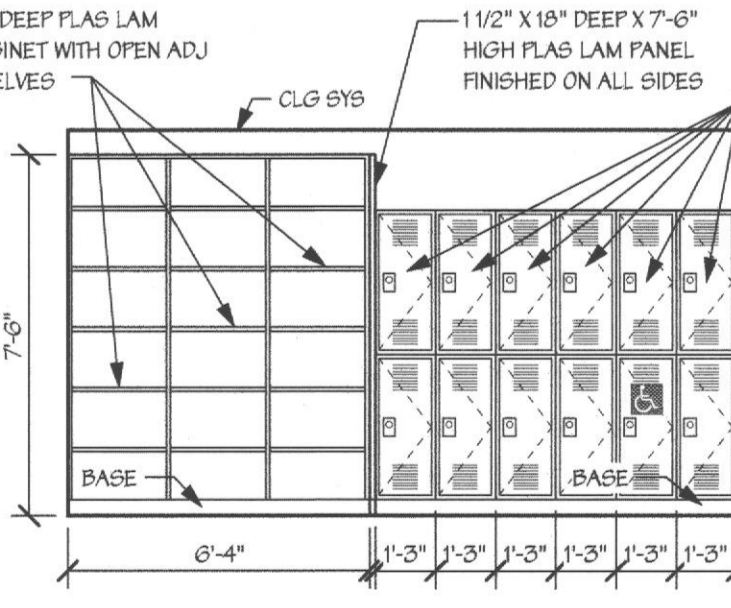
6H 113 EXAM
Scale: 1/4" = 1'-0"
PLASTIC LAMINATE COLORS:
WALL CABINETS - "FLAS LAM B",
BASE CABINETS - "FLAS LAM B",
COUNTERTOPS - "FLAS LAM A"



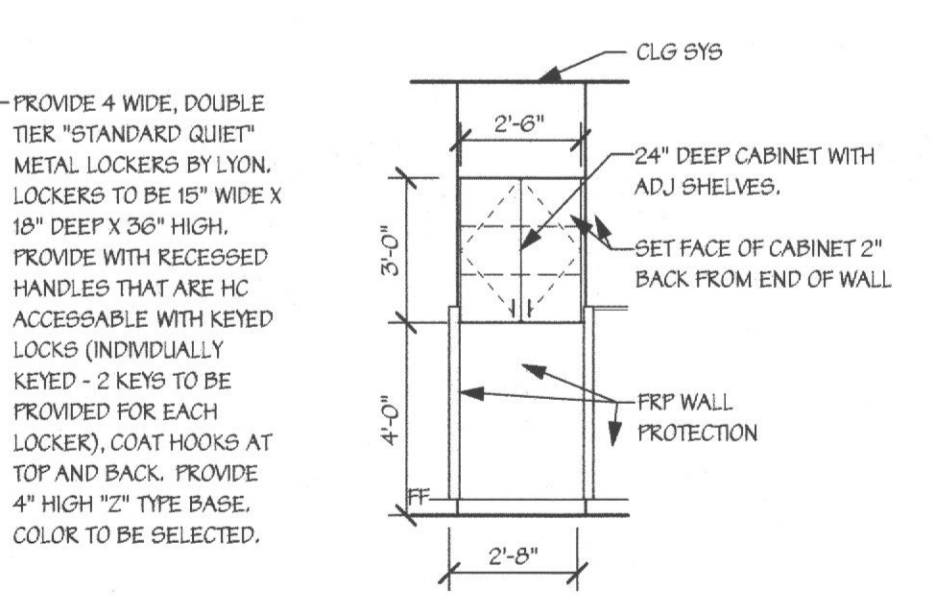
8A 117 PATIENT LOCKERS
Scale: 1/4" = 1'-0"



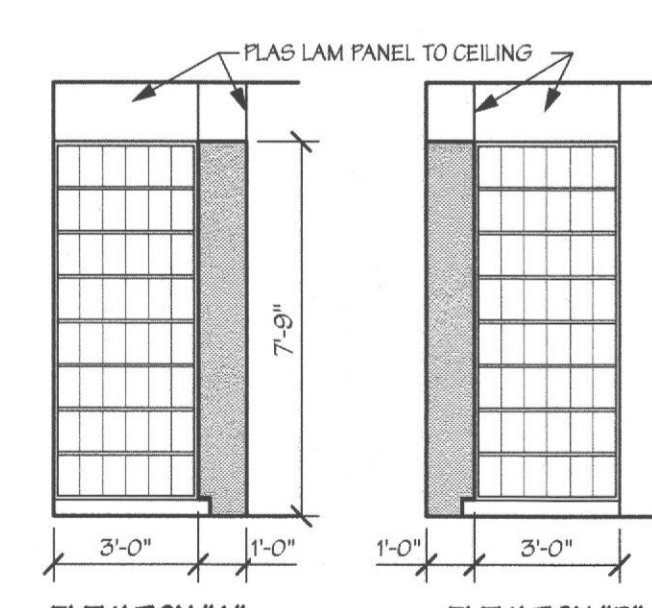
8B 110 LOCKERS
Scale: 1/4" = 1'-0"



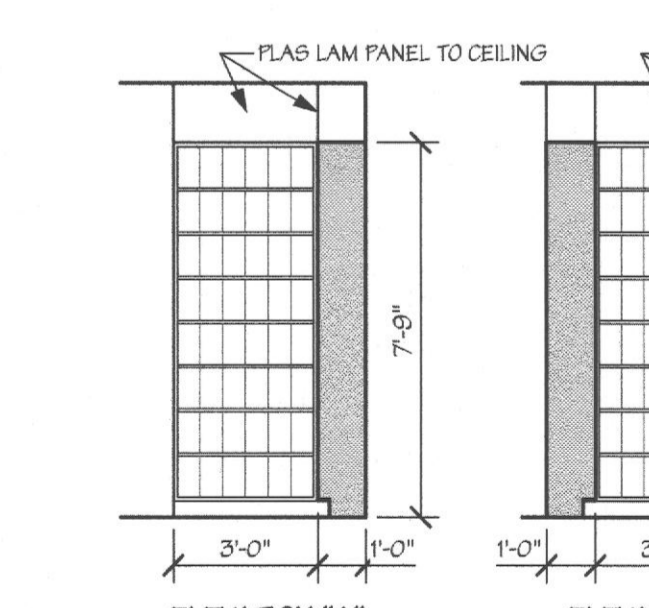
8C 110 TEAMMATE LOCKERS
Scale: 1/4" = 1'-0"



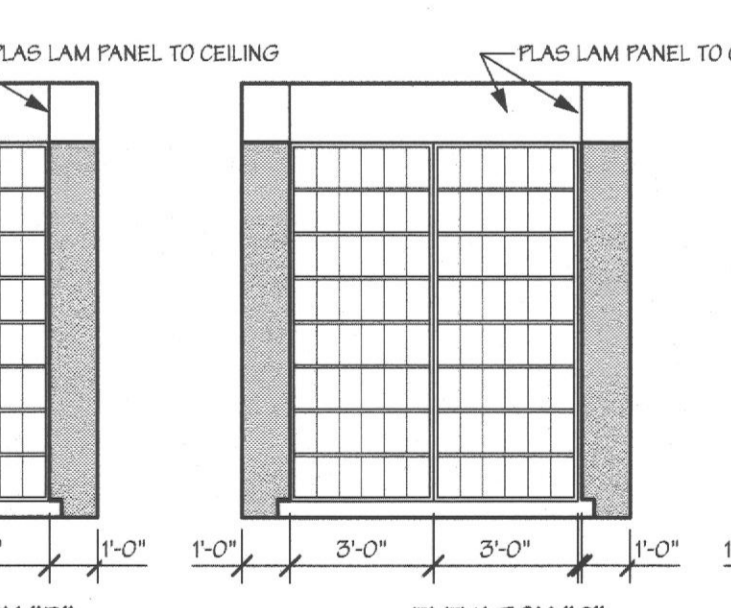
8D WHEELCHAIRS
Scale: 1/4" = 1'-0"



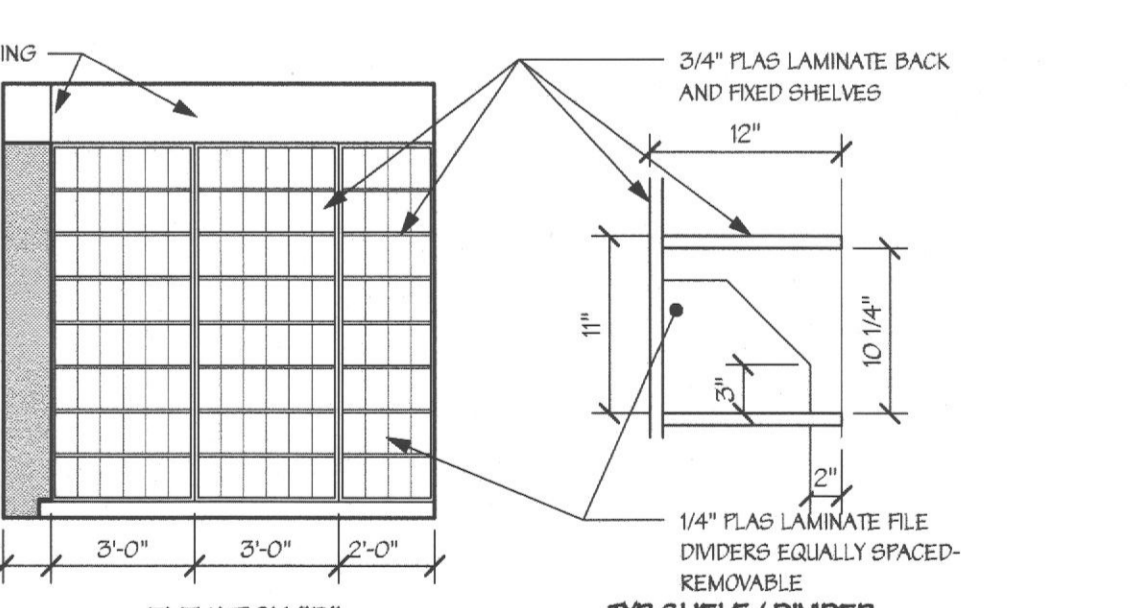
8E 105 MEDICAL RECORDS
Scale: 1/4" = 1'-0"



8F 105 MEDICAL RECORDS
Scale: 1/4" = 1'-0"



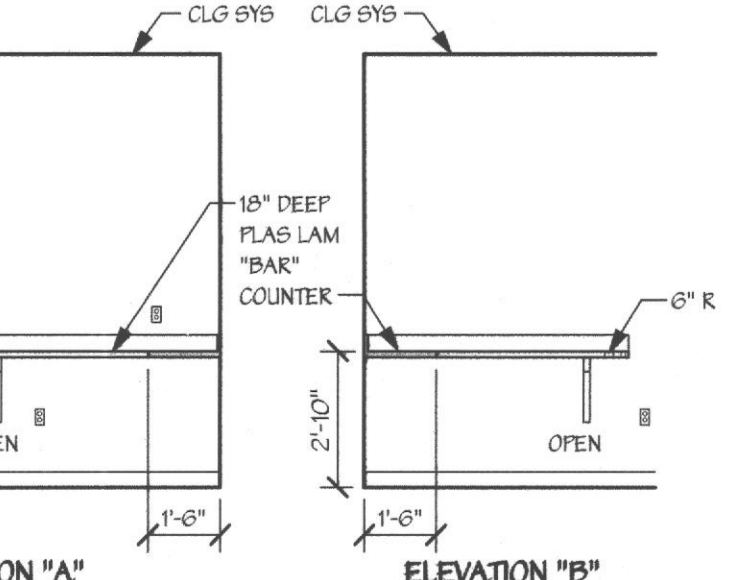
8G 105 MEDICAL RECORDS
Scale: 1/4" = 1'-0"



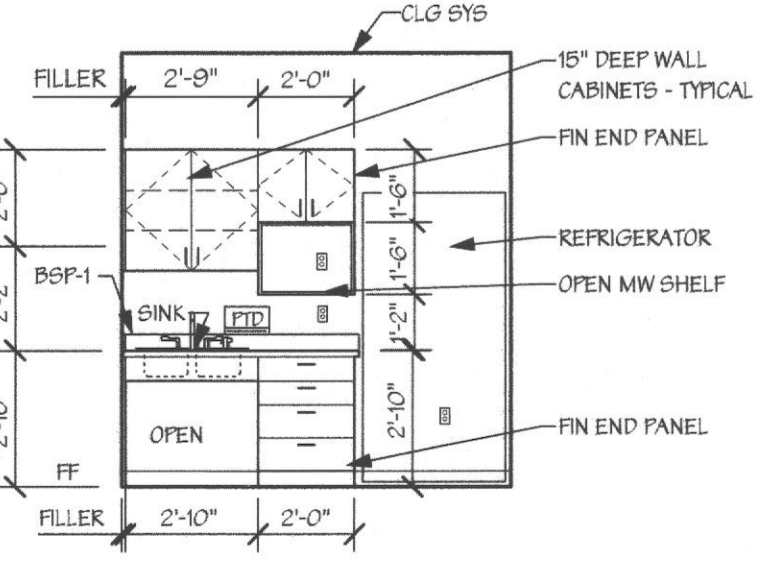
9F 101 WAITING ROOM - FEATURE WALL
Scale: 1/4" = 1'-0"



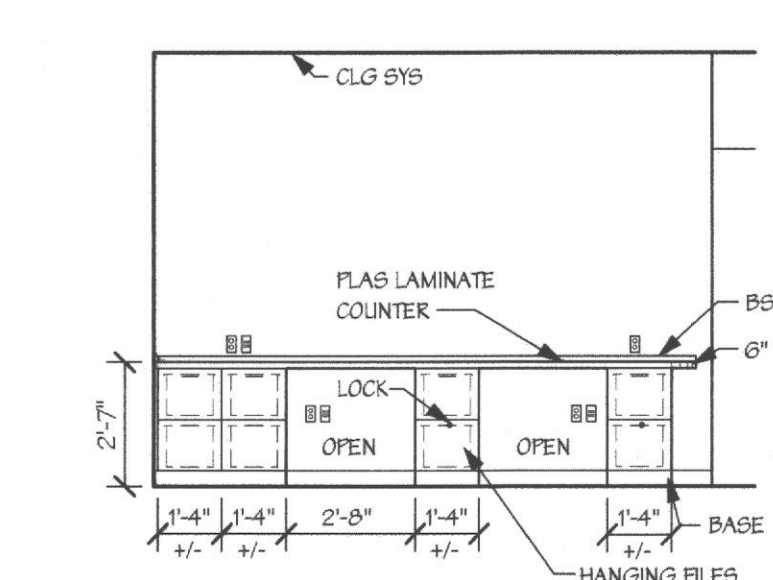
9G 101 TRANSACTION WINDOW
Scale: 1/4" = 1'-0"



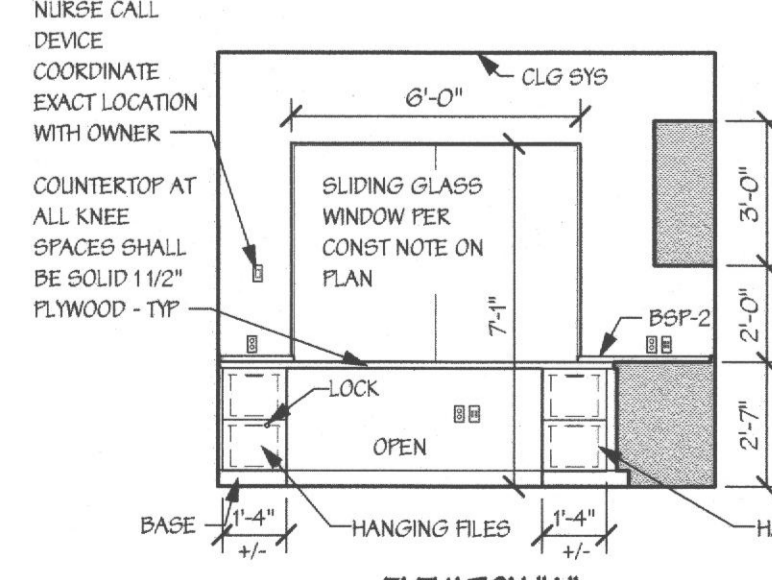
9B 106 LOUNGE
Scale: 1/4" = 1'-0"



9C 106 LOUNGE
Scale: 1/4" = 1'-0"

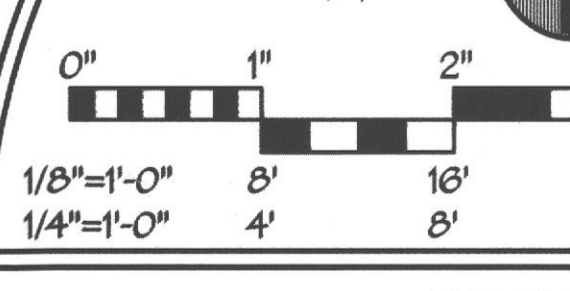


9D 104 ACCESS COORDINATORS
Scale: 1/4" = 1'-0"



9E 104 ACCESS COORDINATORS
Scale: 1/4" = 1'-0"

NOTE: CONTRACTOR AND SUB-CONTRACTORS SHALL VISIT THIS BUILDING AND TENANT AREA AND BE FAMILIAR WITH ALL THE EXISTING CONDITIONS PRIOR TO CONTRACT AWARD



DETAILS

Table with columns: REV#, DATE, DESCRIPTION, REVISIONS.

Vertical text on the right side containing project information, contact details for Lifeline Project Manager and David A. Udkow, Architect, and tenant renovation information for Lifeline Access Center.