

ROOM FINISH SCHEDULE:

Room #	Scheduled Name	Floor Fin	Base Type	Wall Fin	Colling Type	Colling Hts	Trim	Special	Notes
100	WAITING	CFT	RS	PT-B	AC	9'-0"	PT-A1		
101	RECEPTION	CFT	RS	PT-A2	AC	9'-0"	PT-A1		
102	FILE WORK AREA	CFT	RS	PT-A2	AC	9'-0"	PT-A1		
103	SITE MANAGER	CFT	RS	WC	AC	9'-0"	PT-A1		
104	CONFERENCE	CFT	RS	PT-A2	AC	9'-0"	PT-A1		
105	STAFF LOUNGE	VT*	RC	PT-A2	AC	9'-0"	PT-A1		* PROVIDE TILE BORDER
106	STORAGE	SV	SV	PT-B	AC*	9'-0"	PT-A1		* 1 HR. RATED CLG SYS
107	TRANSFER SWITCH	SV	RC	PT-B	AC	9'-0"	PT-A1		
108	SOILED HOLDING	SV	SV	PT-B	AC*	9'-0"	PT-A1		* 1 HR. RATED CLG SYS
109	WATER HEATER	SV	SV	PT-B	AC*	9'-0"	PT-A1		
110	JANITOR	SV	SV	PT-B	GWB/PT-C	9'-0"	PT-A1		
111	STAFF LOCKERS	VT	RC	PT-A2	AC	9'-0"	PT-A1		
112	PATIENT RECOVERY	SV	SV	PT-B	GWB/PT-C	9'-0"	PT-A1		* 1 HR. RATED CLG SYS
113	PATIENT TOILET	VT	RC	PT-B*	GWB/PT-C	9'-0"	PT-A1		* RUSE WR GWS
114	PHYSICIAN	CFT	RS	WC	AC	9'-0"	PT-A1		
115	NURSE CONSULT	SV	RC	PT-B	AC	9'-0"	PT-A1		
116	PASSAGE	SV	RC	PT-B	AC	9'-0"	PT-A1		
117	DRESSING	SV	RC	PT-B	AC	9'-0"	PT-A1		
118	COMMUNICATION	SV	SV	PT-B	AC	9'-0"	PT-A1		
119	PUBLIC TOILET	VT	RC	PT-B*	GWB/PT-C	9'-0"	PT-A1		* RUSE WR GWS
120	PREP/HOLDING	SV	RC	PT-B	AC	9'-0"	PT-A1		
121	PATIENT TOILET	SV	RC	PT-B*	GWB/PT-C	9'-0"	PT-A1		* RUSE WR GWS
122	PATIENT RECOVERY	SV	RC	PT-B	AC	9'-0"	PT-A1		
123	NURSE WORK	SV	RC	PT-B	AC	9'-0"	PT-A1		
124	PASSAGE	SV	SV	PT-B	AC	9'-0"	PT-A1		
125	IR PROCEDURE	SEW	SEW	PT-B*	AC-1	9'-0"	PT-A1		* SCRUBBABLE WALL FIN
126	IR PROCEDURE	SEW	SEW	PT-B*	AC-1	9'-0"	PT-A1		* SCRUBBABLE WALL FIN
127	CLEAN UTILITY	SV	SV	PT-B	AC*	9'-0"	PT-A1		* 1 HR. RATED CLG SYS
128	PASSAGE	SV	RC	PT-B	AC	9'-0"	PT-A1		
129	STORAGE	SV	RC	PT-B	AC	9'-0"	PT-A1		
130	STORAGE	SV	RC	PT-B	AC	9'-0"	PT-A1		
131	STORAGE	SV	RC	PT-B	AC	9'-0"	PT-A1		
132	STORAGE	SV	RC	PT-B	AC	9'-0"	PT-A1		
133	VESTIBULE	CFT	RS	PT-B	AC	9'-0"	PT-A1		

ROOM FINISH ABBREVIATIONS:

FLOOR FINISH
 CFT = CARPET - Meridian Commercial Modera Casella
 "Starmark" (60x60)
 SV = SHEET VINYL - Armstrong Classic Corlon Survival 6060
 VT = VINYL TILE - Armstrong Classic Corlon Survival VCT
 6031 "Misty Green" - 16x16
 Armstrong Standard Exciton VCT
 6030 "Tall" - 12x12 (Where Indicated)
 SEW = SEAMLESS WELDED SEAM SHEET VINYL -
 Armstrong Modtech 6040G
 (To be used in conjunction w/
 Armstrong 6004G Metal Base)

BASE TYPE:
 RS = RUBBER STRAIGHT - Koppie TP 7760 1/8" TPK Rubber
 "Deep Water"
 RC = RUBBER COVE - Koppie TP 7760 1/8" TPK Rubber -
 "Deep Water"
 SV = SHEET VINYL - INTEGRAL COVE 6" HIGH
 SEW = SEAMLESS WELDED SEAM SHEET VINYL -
 INTEGRAL COVE 6" HIGH

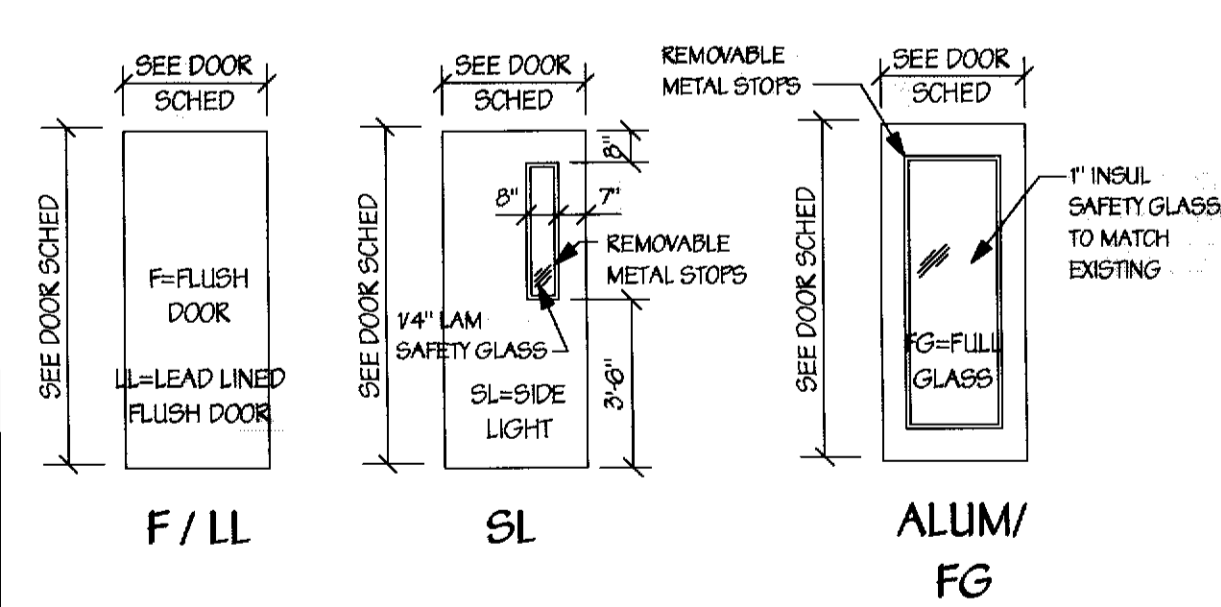
WALL FINISH:
 PT-A1 = PAINTED - Sherman Williams SW 1031 LUV 645 -
 "Modern Gray" - Gloss
 PT-A2 = PAINTED - Sherman Williams SW 1031 LUV 645 -
 "Modern Gray" - Semi-Gloss
 PT-B = PAINTED - Sherman Williams SW 1212 125 -
 "Pastoral Green" - Semi-Gloss
 PT-C = CEILING - Sherman Williams - Ceiling White
 WC = WALL COVERING - Karocel Empire E52-04
 "Towel"

CEILING TYPE:
 AC = TYPICAL ACoustICAL TILE (24x24)
 AC-1 = SCRUBBABLE ACoustICAL TILE (24x24)
 GWB/PT-C = Gypsum Wall Board / PAINTED

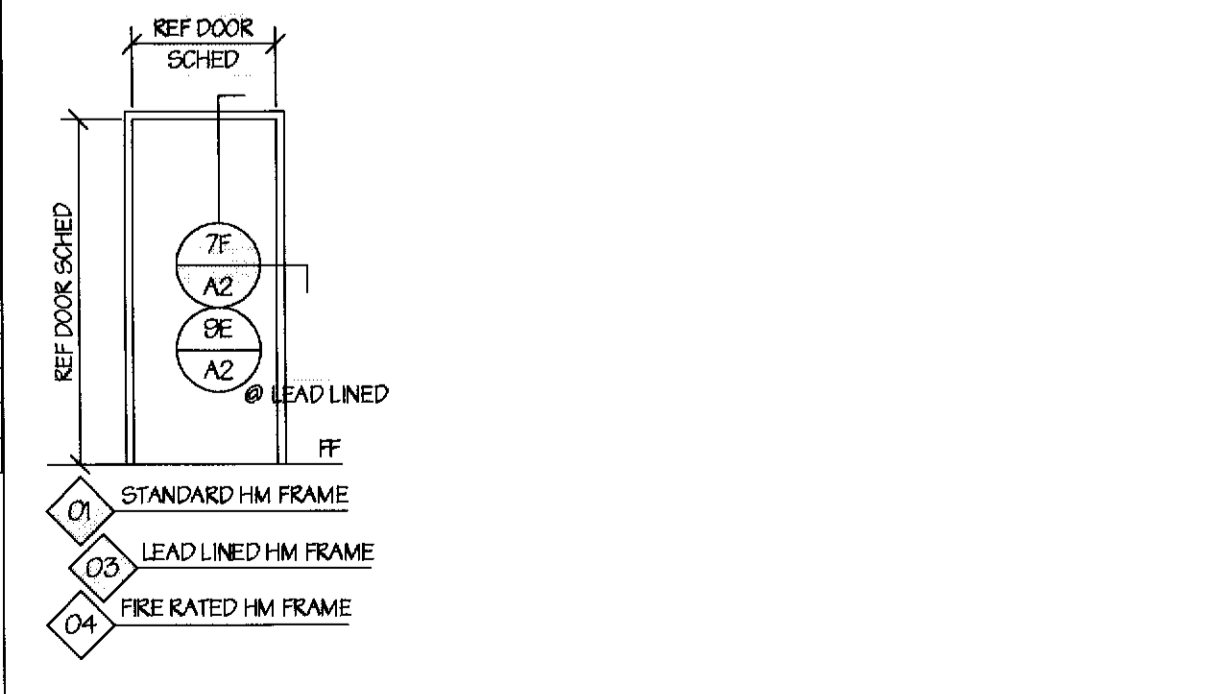
DOOR AND FRAME SCHEDULE:

Frame #	Door Width	Door Hts	Door Thick	Door Type	Door Mat	Door Fin	Louver	Frame Type	Frame Mat	Frame Depth	Hardware	Fire Rating	Remark
100A	3'-0"	7'-0"	1 3/4"	FG	SC WD	PT-A1		O1	HM	5 7/8"	L		
100B	3'-0"	7'-0"	1 3/4"	BL	SC WD	PT-A1		O1	HM	5 7/8"	C		
102	3'-0"	7'-0"	1 3/4"	F	SC WD	PT-A1		O1	HM	5 7/8"	E		
103	3'-0"	7'-0"	1 3/4"	F	SC WD	PT-A1		O1	HM	5 7/8"	A		
104	3'-0"	7'-0"	1 3/4"	FG	SC WD	PT-A1		O1	HM	5 7/8"	E		
106	3'-0"	7'-0"	1 3/4"	BL	SC WD	PT-A1		O1	HM	5 7/8"	C		
106	3'-0"	7'-0"	1 3/4"	F	SC WD	PT-A1		O2	HM	5 7/8"	M	45 MIN	UNDER CUT 1"
107	3'-0"	7'-0"	1 3/4"	F	SC WD	PT-A1		O1	HM	5 7/8"	E		
108	3'-0"	7'-0"	1 3/4"	F	SC WD	PT-A1		O2	HM	5 7/8"	M	45 MIN	UNDER CUT 1"
108	3'-0"	7'-0"	1 3/4"	F	SC WD	PT-A1		O1	HM	5 7/8"	D		
110	3'-0"	7'-0"	1 3/4"	F	SC WD	PT-A1		O1	HM	5 7/8"	E		UNDER CUT 1"
111	3'-0"	7'-0"	1 3/4"	F	SC WD	PT-A1		O2	HM	5 7/8"	H	60 MIN	UNDER CUT 1"
112	2'-3/4"	7'-0"	1 3/4"	F	SC WD	PT-A1		O1	HM	5 7/8"	B		UNDER CUT 1"
113	3'-0"	7'-0"	1 3/4"	F	SC WD	PT-A1		O1	HM	5 7/8"	B		UNDER CUT 1"
114	3'-0"	7'-0"	1 3/4"	F	SC WD	PT-A1		O1	HM	5 7/8"	A		
114B	3'-0"	7'-0"	1 3/4"	F	SC WD	PT-A1		O1	HM	5 7/8"	M		
115	3'-0"	7'-0"	1 3/4"	F	SC WD	PT-A1		O1	HM	5 7/8"	C		
116	3'-0"	7'-0"	1 3/4"	SL	SC WD	PT-A1		O1	HM	5 7/8"	C		
117	3'-0"	7'-0"	1 3/4"	F	SC WD	PT-A1		O1	HM	5 7/8"	K		
118	2'-3/4"	7'-0"	1 3/4"	F	SC WD	PT-A1		O1	HM	5 7/8"	G		
119	3'-0"	7'-0"	1 3/4"	F	SC WD	PT-A1		O1	HM	5 7/8"	B		UNDER CUT 1"
121	3'-0"	7'-0"	1 3/4"	F	SC WD	PT-A1		O1	HM	5 7/8"	B		UNDER CUT 1"
124	4'-0"	7'-0"	1 3/4"	LL	SC WD*	PT-A1		O3	HM	5 7/8"	J		*1/2" LEAD LINED DR/FRAME
126	4'-0"	7'-0"	1 3/4"	LL	SC WD*	PT-A1		O3	HM	5 7/8"	J		*1/2" LEAD LINED DR/FRAME
127	3'-0"	7'-0"	1 3/4"	F	SC WD	PT-A1		O2	HM	5 7/8"	M	45 MIN	
128B	2'-8"	7'-0"	1 3/4"	ALUM	ALUM	PRE-FIN		EXIST	EXIST	EXIST	MFR-1		REWORK EXIST STOREFRONT W/ NEW DRG & HWK
128	2'-8"	7'-0"	1 3/4"	SL	SC WD	PT-A1		O1	HM	5 7/8"	C		
128	2'-2"	7'-0"	1 3/4"	F	SC WD	PT-A1		O1	HM	5 7/8"	F		
130	3'-0"	7'-0"	1 3/4"	F	SC WD	PT-A1		O1	HM	5 7/8"	E		
131	2'-2"	7'-0"	1 3/4"	F	SC WD	PT-A1		O1	HM	5 7/8"	F		
132	3'-0"	7'-0"	1 3/4"	F	SC WD	PT-A1		O1	HM	5 7/8"	E		
133	3'-0"	7'-0"	1 3/4"	ALUM	ALUM	PRE-FIN		EXIST	EXIST	EXIST	MFR-1		REWORK EXIST STOREFRONT W/ NEW DRG & HWK

DOOR TYPES:



FRAME TYPES:



TOILET ROOM ACCESSORIES:

MARK	MODEL NUMBER SHOWN ARE BY BIDDOR WASHROOM EQUIP.	119 PUBLIC TOILET	113 STAFF TOILET	221 PATIENT TOILET	UNION PROVIDE QUANTITIES OF ACCESSORIES AS NOTED AT EACH TOILET ROOM. SEE TOILET ROOM DETAILS, & SECTIONS FOR MOUNTING LOCATIONS & HEIGHTS. PROVIDE ALL MISC. WALL BRACKETS REQUIRED FOR INSTALLATION.
ITD	PAPER TOWEL DISP.	B-2619	ONE	ONE	
TTD	TOILET TISSUE DISP	D-4226	ONE	ONE	
GB	GRAB BAR	D-5837	ONE	ONE	
MIR	MIRROR (24"x20"x1)	B-166 24X20	ONE	ONE	
MC	MEDICINE CABINET	B-287	ONE	ONE	
FND	FEMININE MARKIN DISPENSER (COOKED LOCATION W/ OWNER)	B-270	ONE	ONE	

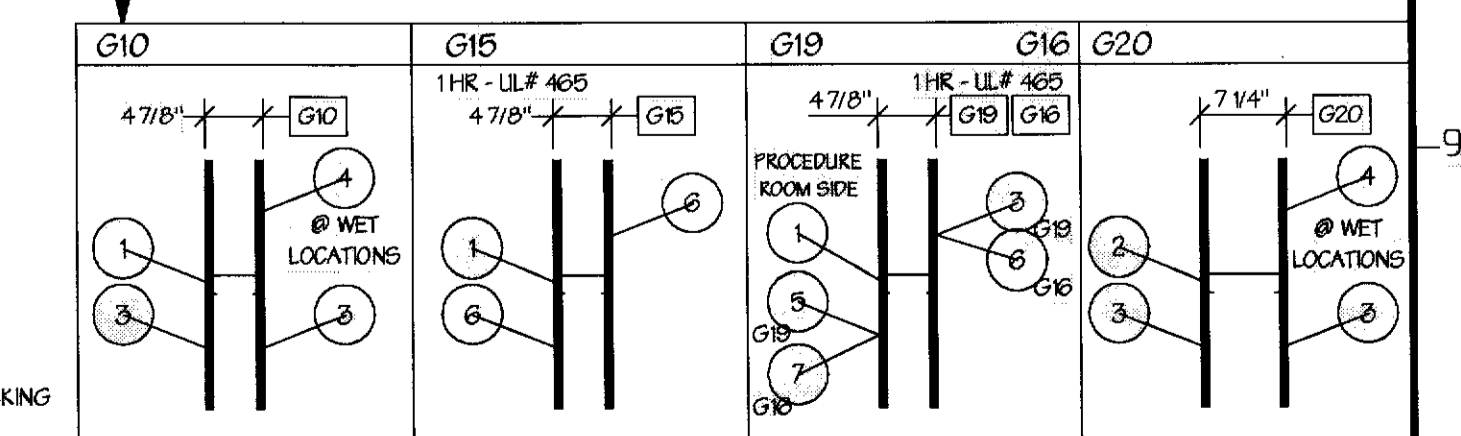
WALL SCHEDULE:

GENERAL NOTES:
 1. UNLESS OTHERWISE NOTED, ALL WALL STUDS AND GWS SHALL EXTEND MIN 3" ABOVE FINISHED CEILING AND BE BRACED TO STRUCT ABV @ 48" OC.
 2. SMOKE PARTITIONS (AS NOTED ON FLOOR PLAN) SHALL EXTEND TO UNDERSIDE OF DECK & BE SEALED. ALL PENETRATIONS THRU SMOKE PARTITION SHALL BE SEALED.
 3. APPLIED FINISHES ARE SHOWN ON THE FINISH SCHEDULE.
 4. PROVIDE BLOCKING IN WALL AS REQ'D TO INSTALL CASEWORK AND WALL MOUNTED ACCESSORIES.
 5. LEAD SHIELDING (WHERE INDICATED) SHALL BE INSTALLED BEHIND GYP BOARD TO A MINIMUM HEIGHT OF 7'-0" AFF. WALL LEAD SHALL BE TIED TO LEAD AT ADJACENT WALLS AND SHALL BE INSTALLED BEHIND ANY PENETRATIONS, SUCH AS ELECTRICAL, FLUORINATION ROSES, TO MAINTAIN A CONTINUOUS PATTERN OF LEAD PROTECTION IN THE THICKNESS INDICATED.

SUFFIX REFERENCE NOTES:
 SUFFIX REFERENCE NOTES IDENTIFY ADDITIONAL REQUIREMENTS FOR THE CONSTRUCTION OF WALL TYPES AT THE LOCATIONS INDICATED ON THE PLANS AS NOTED BELOW.
 SUFFIX REFERENCE
 EXCLUDE GYP BD ON UNEXPOSED SIDE OF STUD WALL TYPE.
 M MATCH EXISTING WALL THICKNESS
 S PROVIDE 3" (OR EQUAL) TO STUD DEPTH IF STUD IS LESS THAN 3" SOUND BATTIS (SOUND ATTENUATION BLANKETS) TO FILL WALL CAVITY AND TO EXTEND THE FULL HEIGHT OF THE WALL
 U EXTEND WALL TO UNDERSIDE OF DECK ABOVE. SEE NOTE ABOVE FOR SMOKE PARTITION REQUIREMENTS.
 B PROVIDE BATT INSULATION IN THICKNESS EQUAL TO STUD DEPTH.

MATERIAL NOTES:

- 3-5/8" MTL STUDS @ 16" OC
- 6" MTL STUDS @ 16" OC
- 5/8" GYPSUM WALL BOARD
- 5/8" WATER RESIST GYP BD
- 5/8" GWS W/ 1/2" LEAD BACKING
- 5/8" FIRE RATED GWS
- 5/8" FIRE RATED GWS W/ 1/2" LEAD BACKING



REVISIONS

REV#	DATE	DESCRIPTION

MECHANICAL & ELECTRICAL DESIGN CONSULTANTS, INC.
 1901 N. Fountain Green Road
 Bel Air, Md 21015-1411
 410-893-2922 Fax: 410-893-0442
 jrdesign@starpower.net

ARCHITECTURAL REALMS
 Architecture * Planning

2935 Montana Avenue
 Cincinnati, Ohio 45211
 Tel: 513-662-3333
 Fax: 513-662-6699

FREDERICK WARD ASSOCIATES, INC.
 P.O. Box 727, 5 South Main Street, Bel Air, Maryland 21014-0727
 Phone: 410-879-2090 or 410-538-7900 Fax: 410-893-1243
 Columbia, Maryland Warrenton, Virginia

TENANT RENOVATIONS FOR:
RMS LIFELINE
 4623 Weeley Avenue, Suite N
 Cincinnati, Ohio

DATE: 9/26/01
 SCALE: AS NOTED
 DESIGNED BY: KDP
 DRAWN BY: K.K.DTR
 SHEET: A1
 DRAWING NO.: 201121600