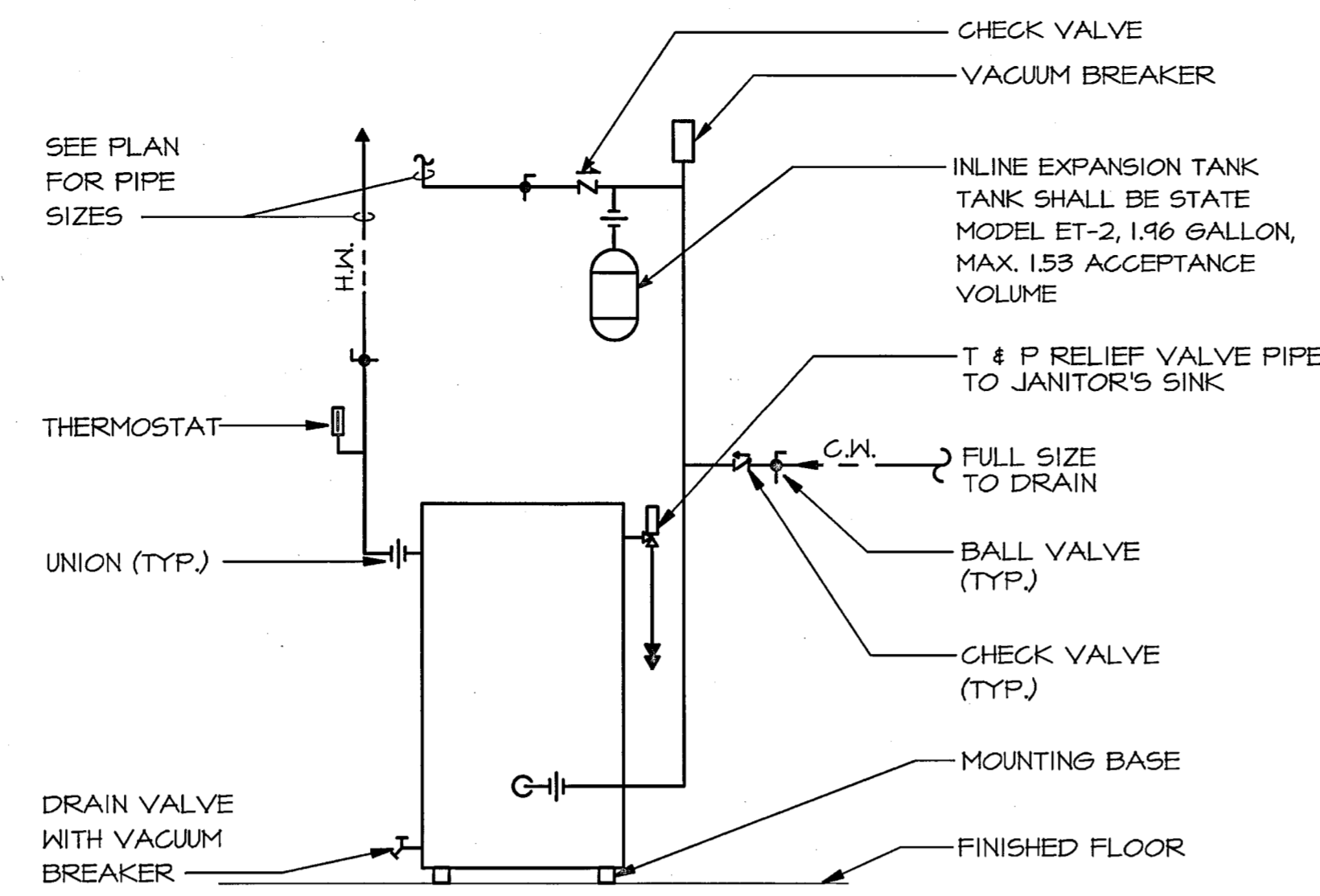
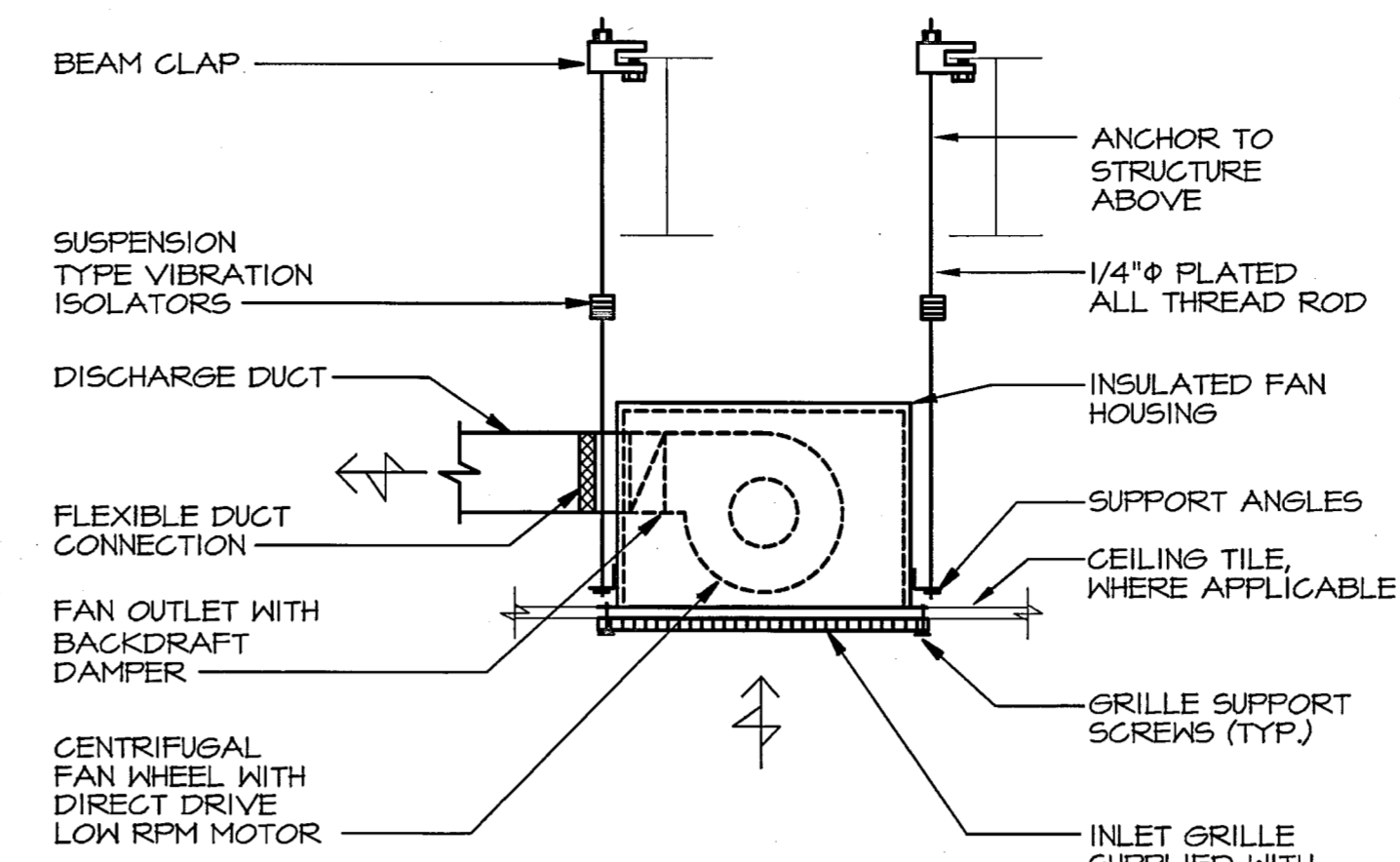


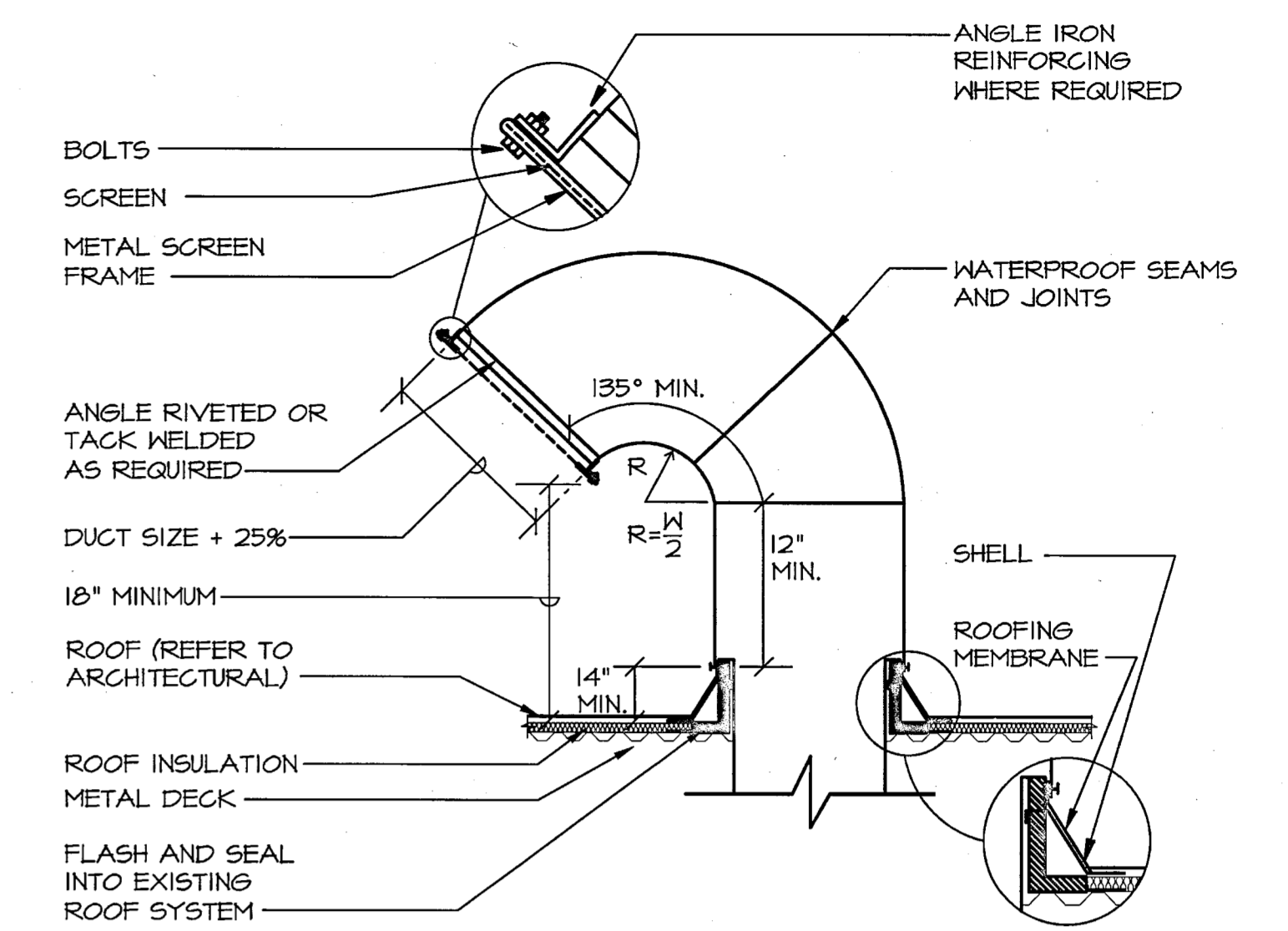
ROOF MOUNTED HEAT PUMP/ CONDENSING UNIT DETAIL
NO SCALE



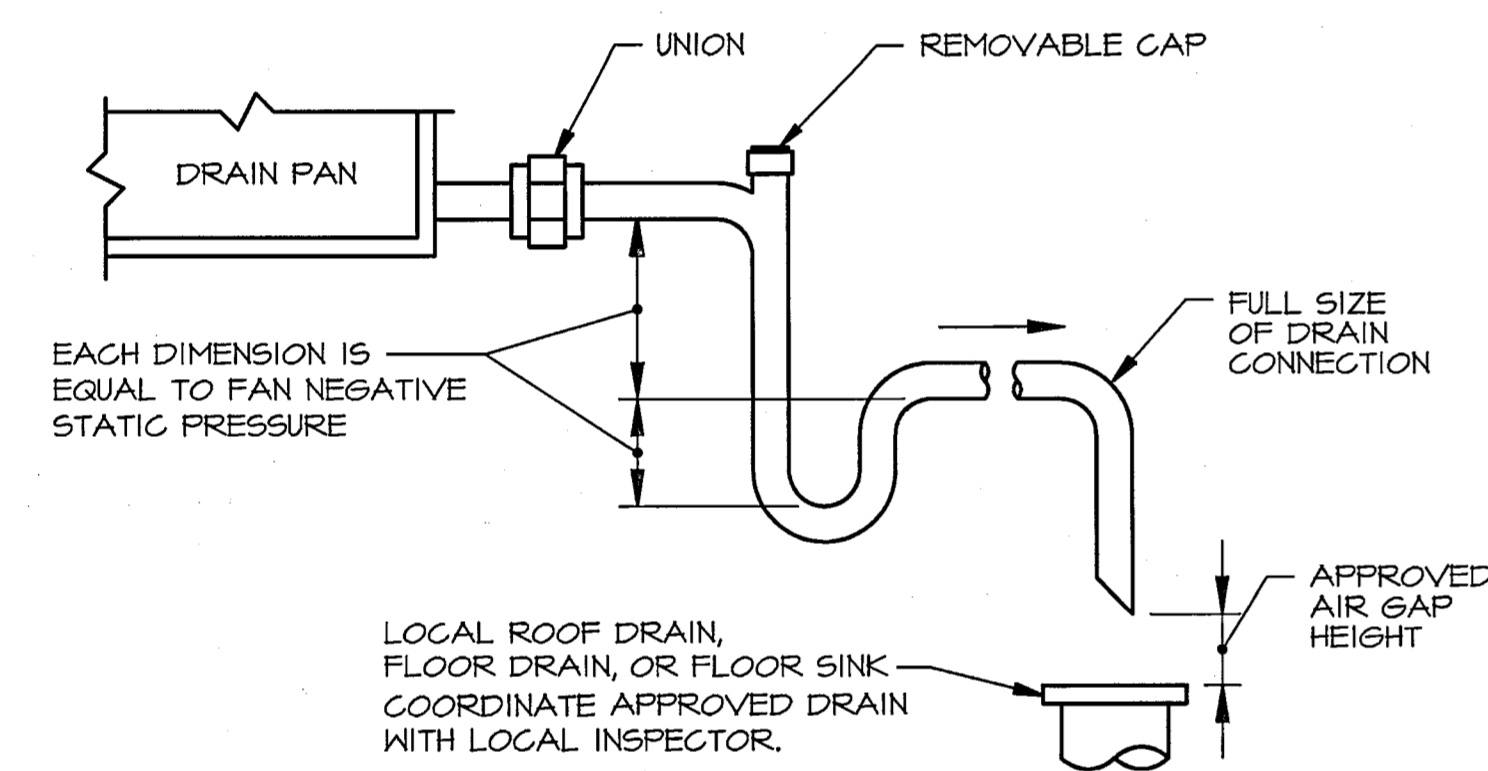
ELECTRIC WATER HEATER PIPING SCHEMATIC
NO SCALE



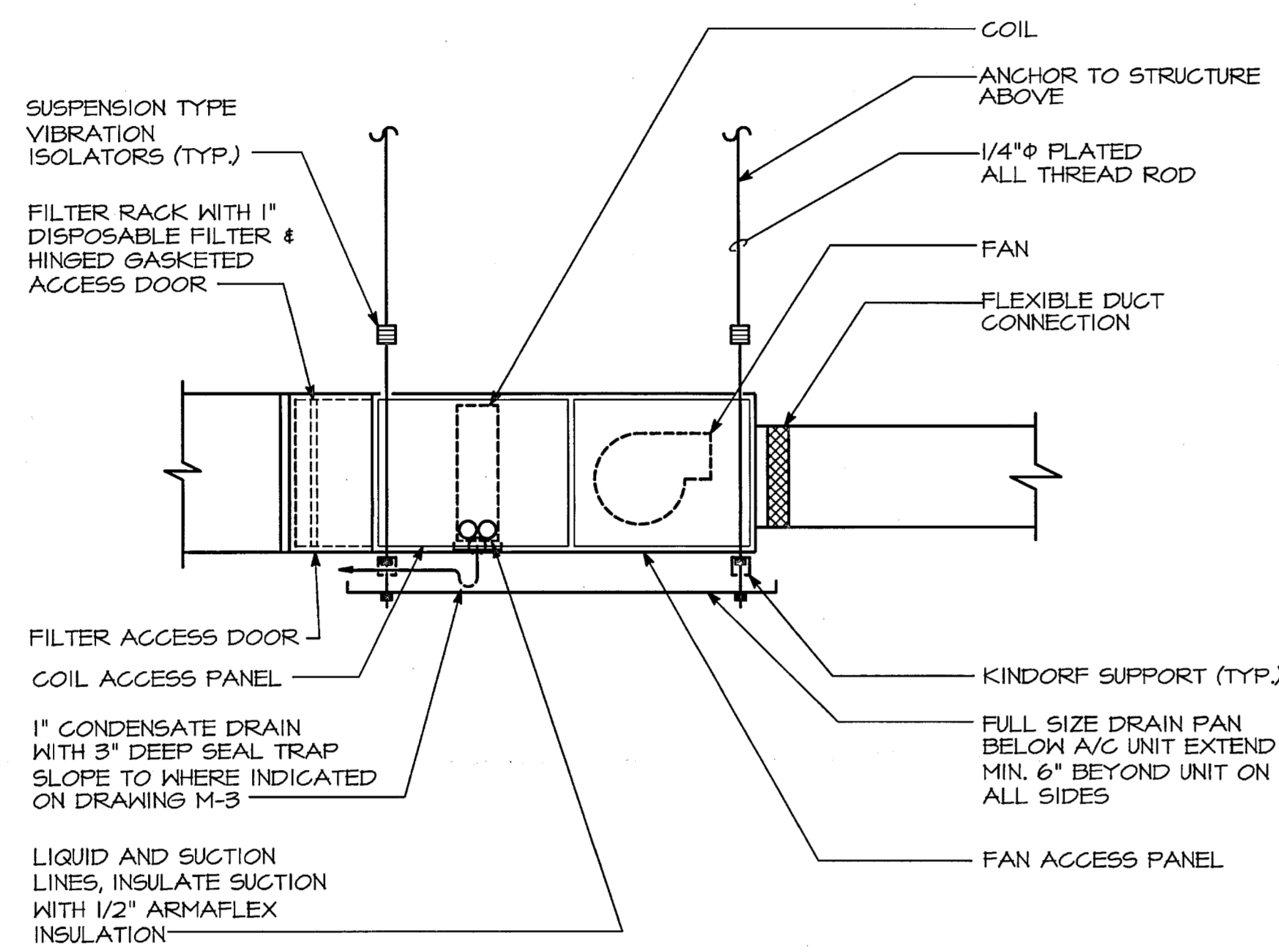
CEILING MOUNTED EXHAUST FAN DETAIL
NO SCALE



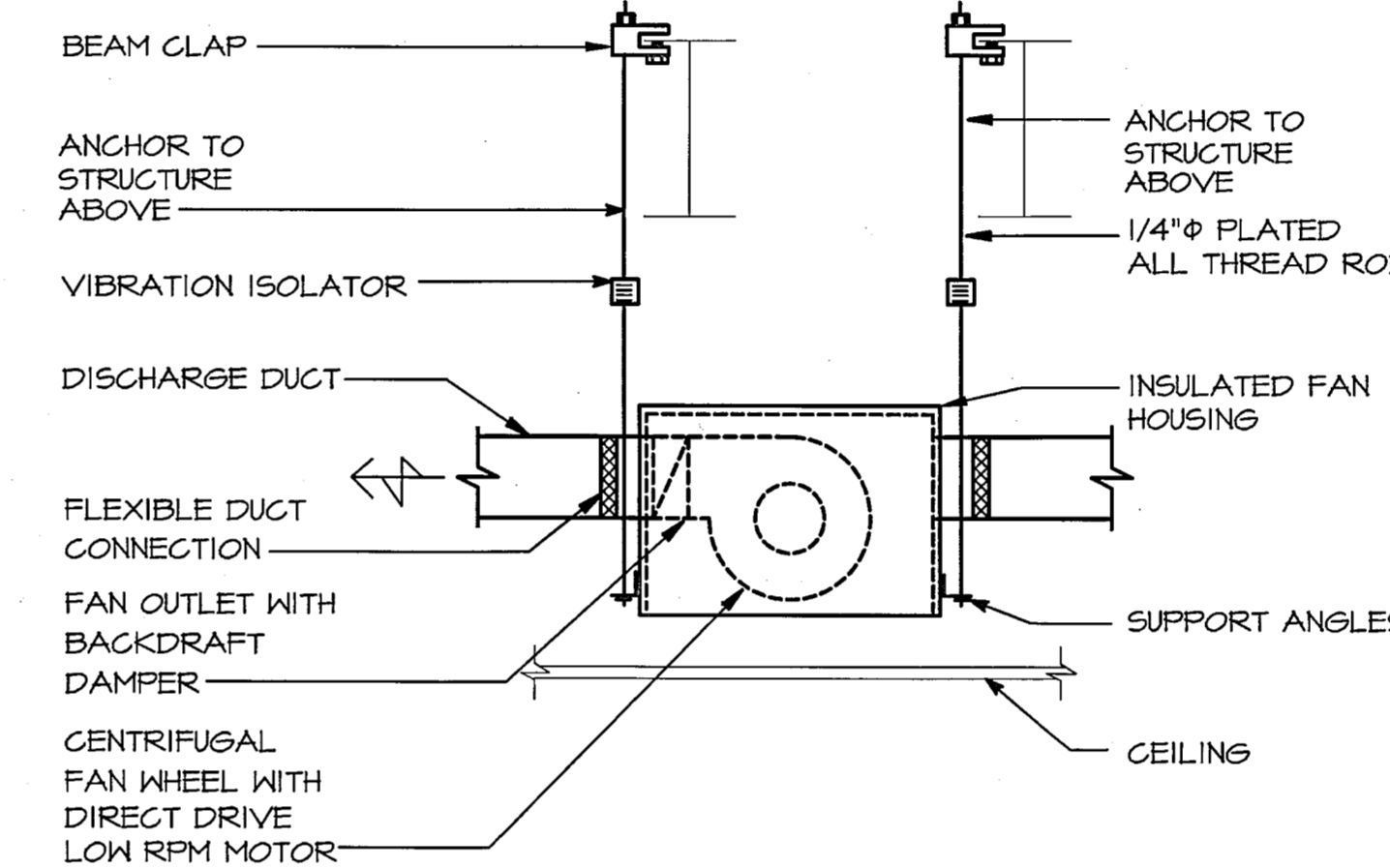
GOOSENECK THRU ROOF DETAIL
NO SCALE



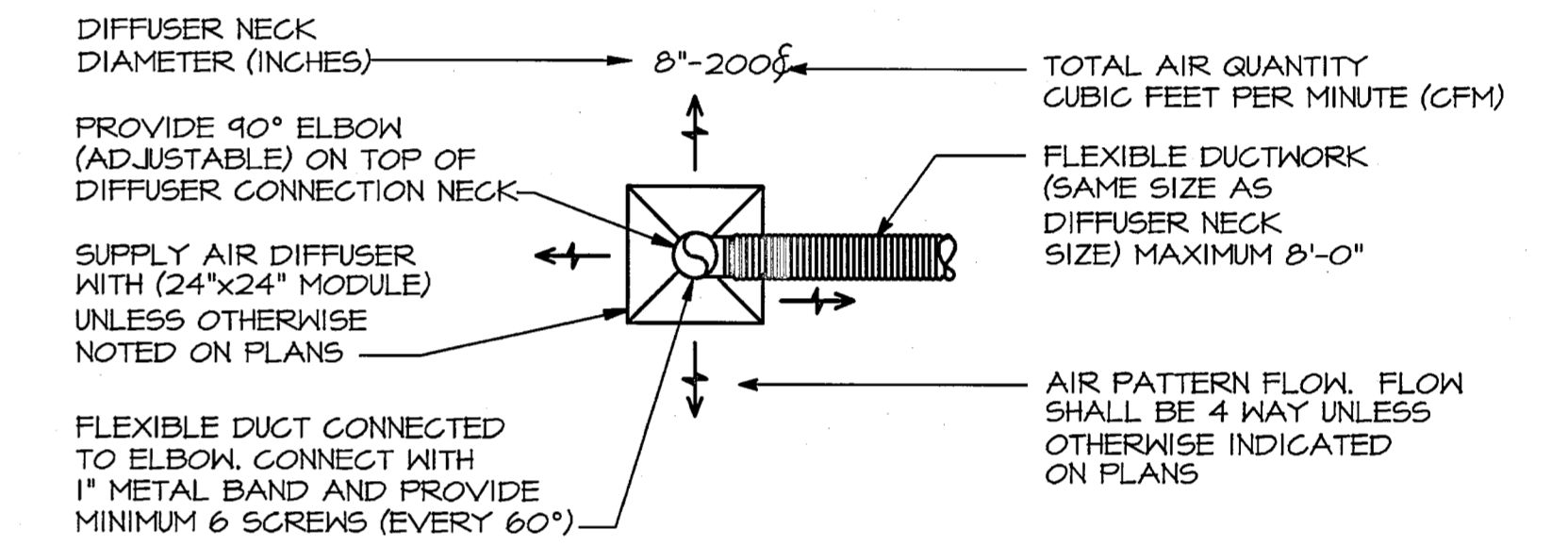
CONDENSATE DRAIN DETAIL
NO SCALE



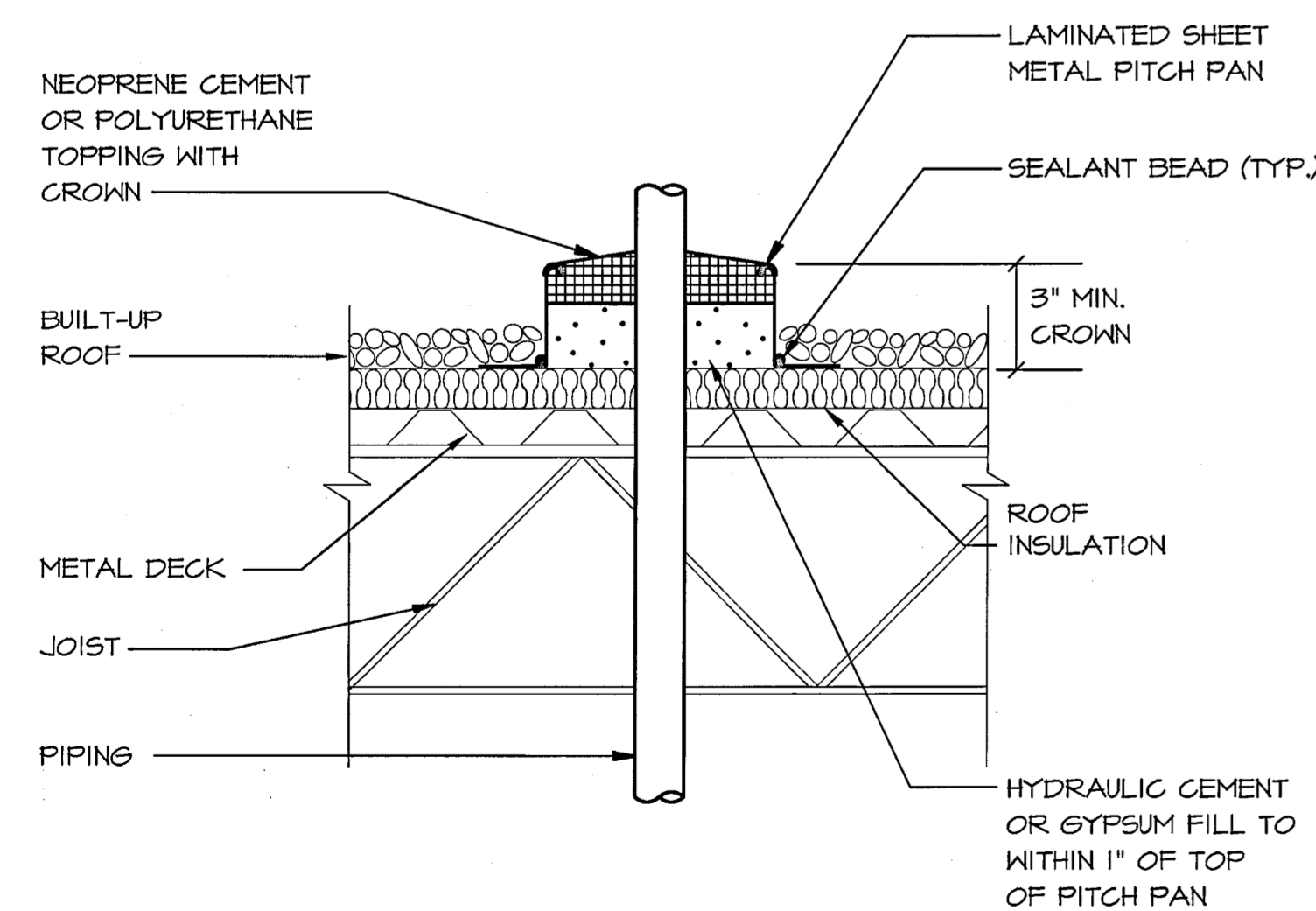
HORIZONTAL AIR HANDLING UNIT MOUNTING DETAIL
NO SCALE



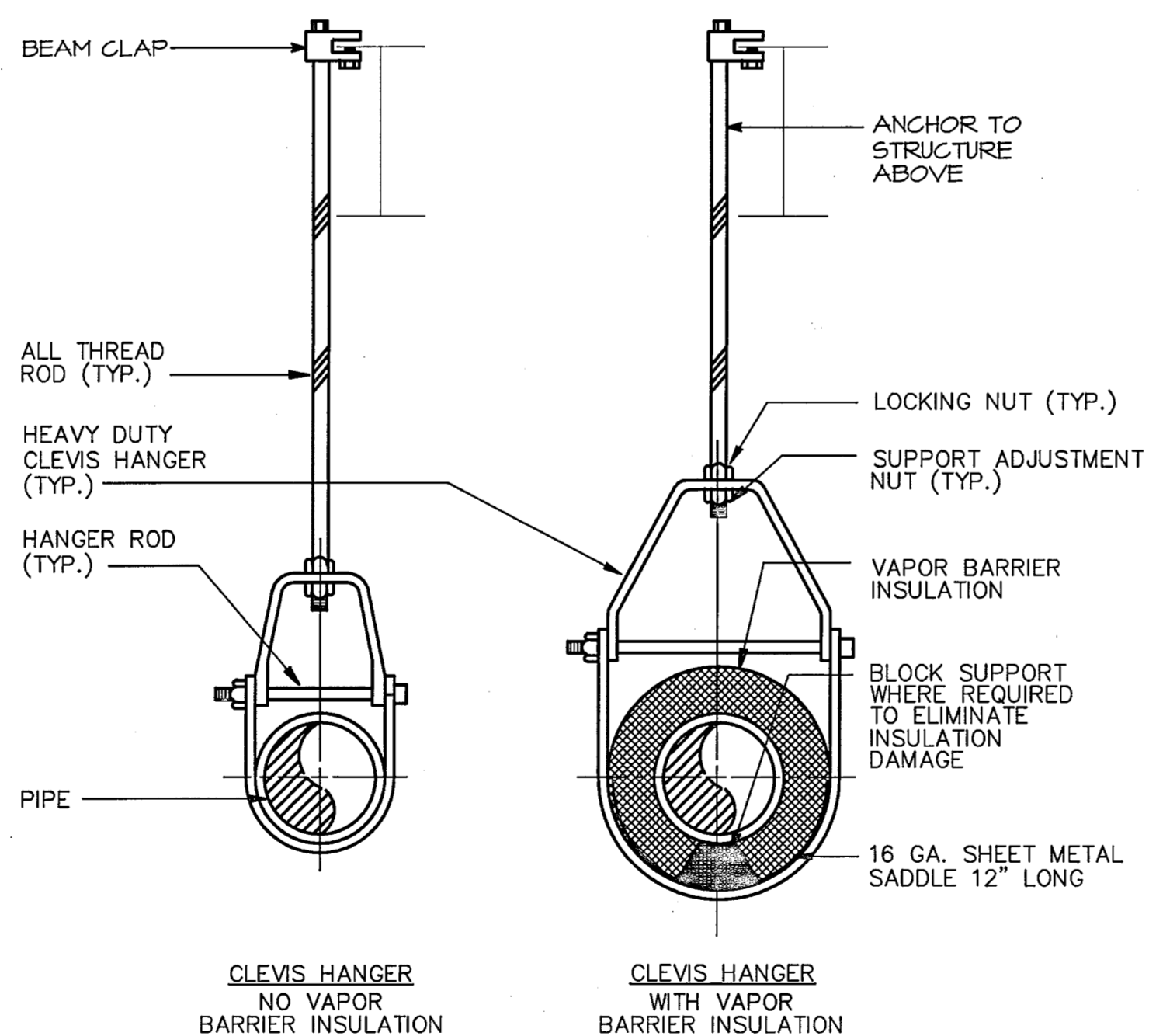
IN-LINE CEILING MOUNTED EXHAUST FAN DETAIL
NO SCALE



SUPPLY AIR DIFFUSER KEY
NO SCALE

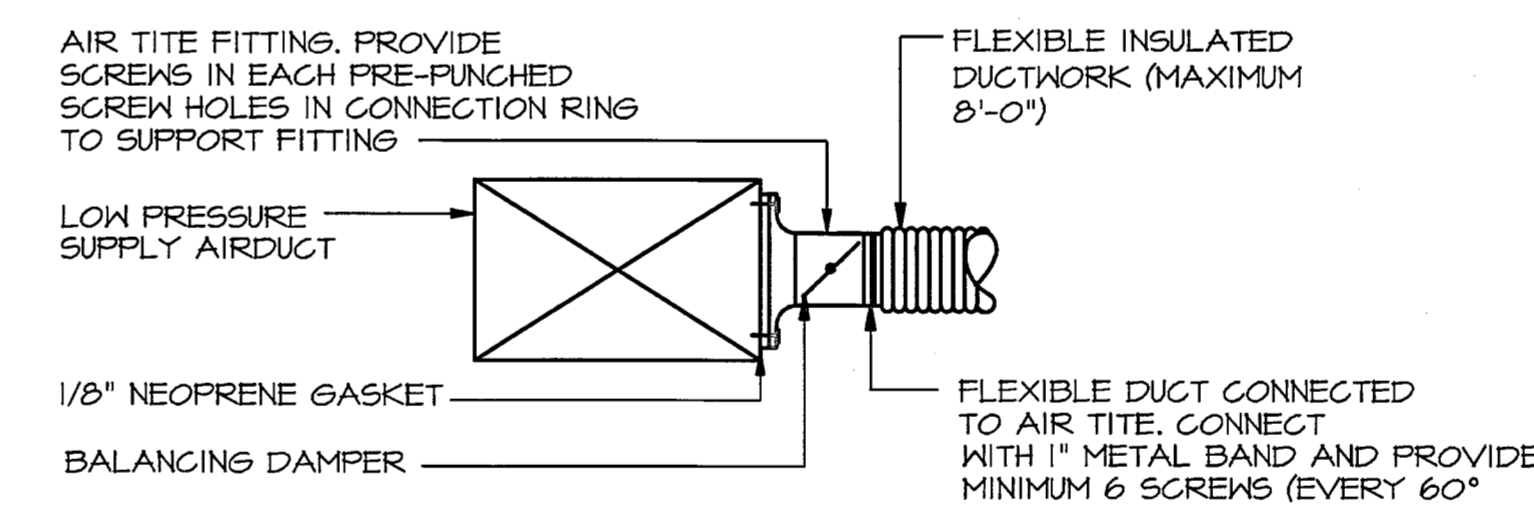


PITCH POCKET THRU ROOF DETAIL
NO SCALE



PIPE SUPPORT DETAIL
NO SCALE

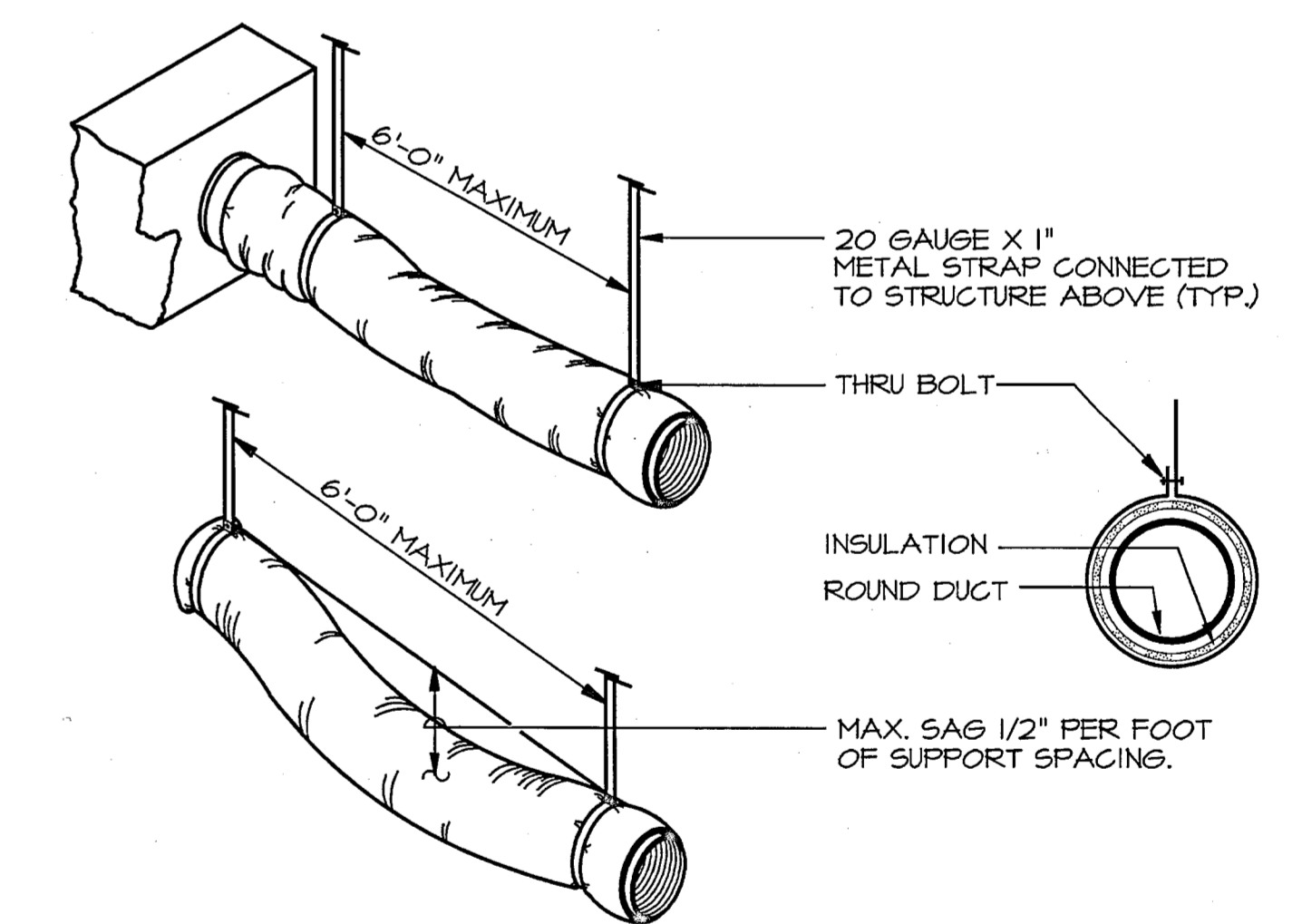
NOTE:
1) ALL HANGERS FOR COPPER PIPING SHALL BE COPPER COATED.



AIR TITE FITTING DETAIL
NO SCALE

AIR TITE SIZE CHART			
DUCT SIZE	CONNECTION RING	DUCT SIZE	CONNECTION RING
5"	8"	9"	12"
6"	9"	10"	13"
7"	10"	11"	15"
8"	11"	12"	17"

NOTE:
1) WHERE CONNECTION RING SIZE IS LARGER THAN SUPPLY DUCT, THEN CONNECTION RING SHALL BE CRIMPED OVER DUCT AND CONNECTED, SCREWED & SEALED ON TOP AND BOTTOM OF SUPPLY DUCT.



FLEXIBLE DUCT RUN-OUT SUPPORT DETAIL
NO SCALE

NOTES:
1) FLEXIBLE DUCT SHOULD EXTEND STRAIGHT FOR SEVERAL INCHES FROM RECTANGULAR DUCT CONNECTION BEFORE BENDING.
2) FLEXIBLE DUCT SHOULD NOT EXCEED 8'-0" IN LENGTH. USE RIGID ROUND DUCTWORK WHEN RUNOUTS EXCEED 8'-0".

REV#	DATE	DESCRIPTION

dp DON PENN CONSULTING ENGINEERS
3950 HIGHWAY 360, SUITE 101
GRAPEVINE, TEXAS 76051
817-410-2555 FAX 817-251-8411

FREDRICK WARD ASSOCIATES, INC.
P.O. Box 727, 5 South Main Street Bel Air, Maryland 21014-0727
Phone: 410-879-2090 or 410-838-7900 Fax: 410-893-1243
Columbia, Maryland Warrenton, Virginia

TENANT RENOVATIONS FOR:
RMS LIFE LINE
WALL STREET AND WESLEY AVENUE
NORWOOD, OHIO

DATE	9/26/01	SHAWING NO.	
SCALE	AS NOTED		
DESIGNED BY	DLI	SHEET 3 OF 3	
DRAWN BY	DLI	DATE	2011215.00
			JLR# 1-100b