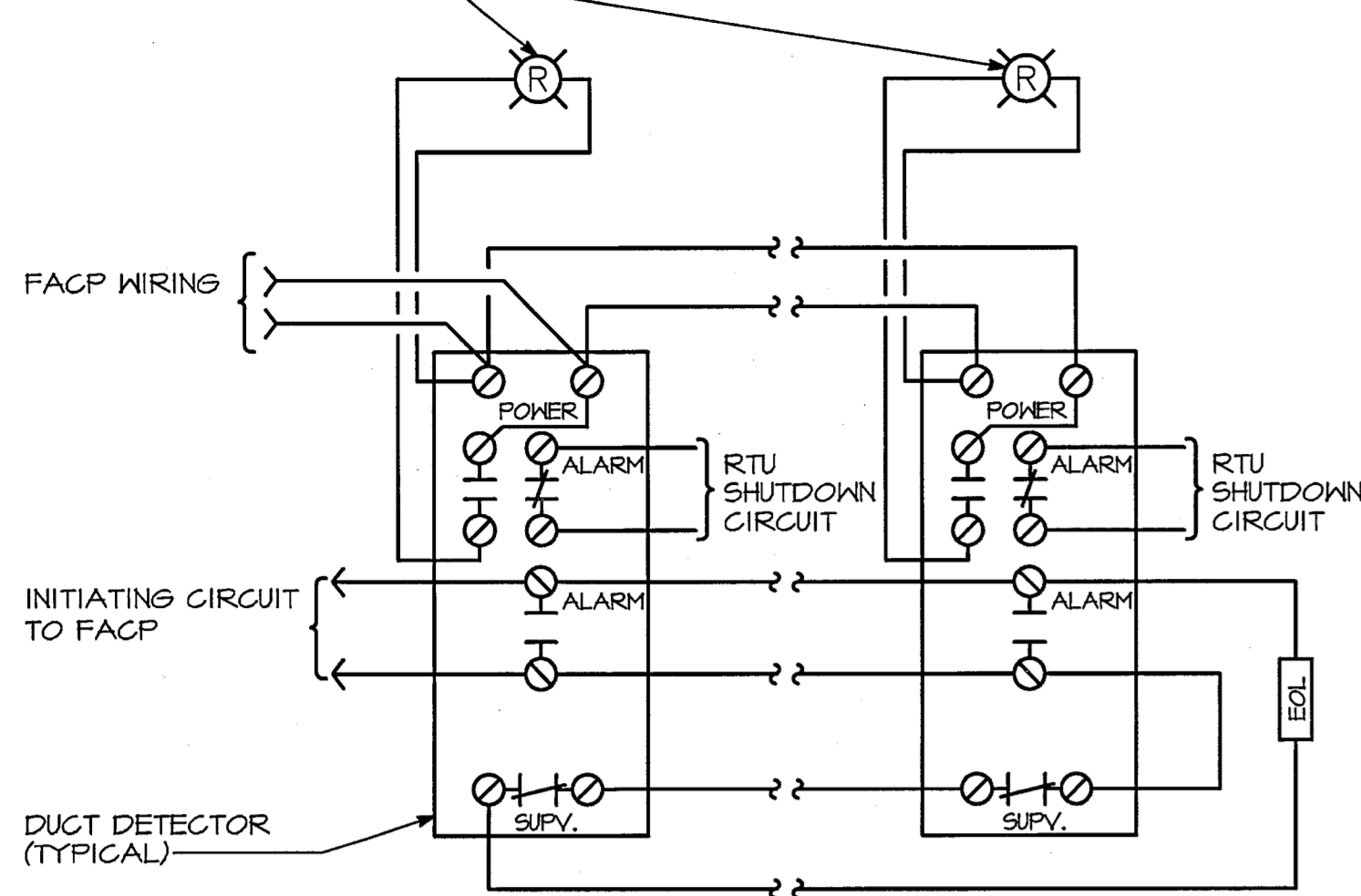


REMOTE INDICATING LAMP-MTD. ON CEILING DIRECTLY UNDER DETECTOR.



DETAIL - DUCT SMOKE DETECTOR WIRING DIAGRAM  
NO SCALE

**GENERAL NOTES**

- A. ALL ELECTRICAL WORK SHALL BE IN ACCORDANCE WITH THE 1999 NATIONAL ELECTRICAL CODE AND ALL LOCAL CODES.
B. CONNECT EXIT LIGHTS, EMERGENCY BATTERY UNITS AND NIGHT LIGHTS (NL) TO UNSWITCHED PORTION OF LIGHTING CIRCUIT SERVING RESPECTIVE AREA.
C. ALL WIRING SHALL BE COPPER, #12 AMG MINIMUM, TYPE THHN/THHN INSULATION, INSTALLED IN CONDUIT (1/2" MINIMUM). NO ROMEX OR BX CABLE PERMITTED. MC CABLE MAY BE USED, WHERE PERMITTED BY CODE, FOR WORK ABOVE CEILING AND CONCEALED IN WALLS.
D. REFER TO ARCHITECTURAL REFLECTED CEILING PLANS FOR EXACT LOCATION OF LIGHTING FIXTURES AND GRID COORDINATION. VERIFY THAT ADEQUATE CLEARANCE FOR INSTALLATION, MAINTENANCE AND HEAT DISSIPATION IS AVAILABLE BEFORE ORDERING LIGHTING FIXTURES.
E. ELECTRICAL CONTRACTOR SHALL VERIFY ALL VOLTAGES OF MECHANICAL EQUIPMENT WITH MECHANICAL CONTRACTOR PRIOR TO ROUGH-IN.
F. THE WIRE SIZE INDICATED IN THE HOMERUN SHALL BE USED THROUGHOUT THE CIRCUIT.
G. SEAL ALL CONDUIT PENETRATIONS THRU RATED WALLS AND FLOORS TO MAINTAIN FIRE INTEGRITY. REFER TO ARCHITECTURAL DRAWINGS FOR FIRE WALL LOCATIONS.
H. ALL BRANCH CIRCUITS SHALL BE RUN CONCEALED IN EXISTING AND NEW WALLS. CUT AND PATCH EXISTING WALLS AND SURFACES AS REQUIRED.
I. GROUND, PHASE AND NEUTRAL CONDUCTORS SHALL BE PIG-TAILED IN OUTLET BOXES OR MULTI-OUTLET ASSEMBLY FOR RECEPTACLES SO THAT GROUND AND ELECTRICAL SERVICE TO OTHER RECEPTACLES ON THE SAME MULTI-WIRE CIRCUIT WILL NOT BE DISTURBED IF A RECEPTACLE IS REMOVED.
J. ELECTRICAL CONTRACTOR SHALL USE CONDULET SEALING FITTINGS WITH APPROVED SEALING COMPOUND ON ALL CONDUITS PASSING FROM INTERIOR TO EXTERIOR OF A BUILDING AND OF THE INTERFACE OF WIDELY DIFFERENT SPACE TEMPERATURE.
K. CONTRACTOR SHALL USE HEALTH CARE FACILITY CABLING (HCF) IN ALL PATIENT CARE AREAS. COORDINATE THE PATIENT CARE AREAS WITH THE OWNER.
L. PROVIDE HOSPITAL GRADE RECEPTACLES IN THE PATIENT CARE AREA PER NEC 511 AND AS DIRECTED BY LOCAL AUTHORITY HAVING JURISDICTION.
M. ALL WORK SHALL BE IN COMPLIANCE OF NFPA 90 AND 99 IN THE AMBULATORY CARE PORTION OF THE TENANT SPACE.

LIGHTING FIXTURE SCHEDULE table with columns: TYPE, LAMPS, MOUNTING, DESCRIPTION/VOLTAGE, CATALOG NO. Includes rows for various fluorescent, incandescent, and LED fixtures.

NOTE: LIGHT FIXTURES SHALL BE LITHONIA OR EQUAL

**ELECTRICAL SYMBOLS LIST**

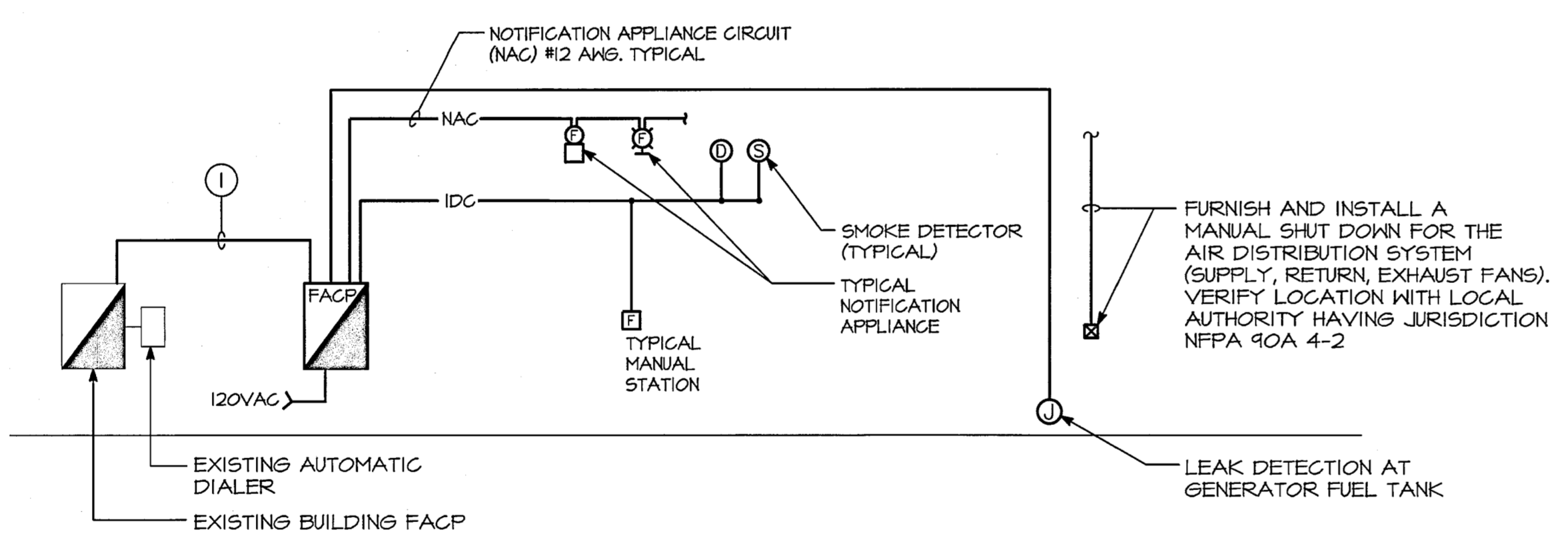
- NOTE: ALL MOUNTING HEIGHTS ARE TO CENTER LINE OF THE OUTLET BOX UNLESS OTHERWISE INDICATED.
SYMBOL DESCRIPTION
[Symbol] FIXTURE-FLUORESCENT-CEILING, WALL, STRIP
[Symbol] DENOTES FIXTURE ON EMERGENCY OR NIGHT LIGHT CIRCUIT
[Symbol] FIXTURE-CEILING, WALL BRACKET
[Symbol] FIXTURE-TRACK LIGHTING
[Symbol] EXIT LIGHT-CEILING, WALL, WITH DIRECTIONAL ARROWS
[Symbol] FIXTURE-H.D.-CEILING, WALL BRACKET
[Symbol] EMERGENCY BATTERY UNIT, REMOTE HEAD
[Symbol] SWITCH-SINGLE POLE, THREEWAY M.H. 48"
[Symbol] SWITCH-DIMMER M.H. 48"
[Symbol] SWITCH-MOTOR RATED
[Symbol] RECEPTACLE-20A-125 VOLTS-DUPLEX COUNTER HEIGHT
[Symbol] RECEPTACLE-20A-125 VOLTS-DUPLEX, DOUBLE DUPLEX, "E" INDICATES OUTLET ON EMERGENCY, "H" INDICATES HOSPITAL GRADE
[Symbol] JUNCTION BOX
[Symbol] OUTLET-TELEPHONE/DATA-WALL M.H. 14"
[Symbol] OUTLET-TELEPHONE-WALL M.H. 54"
[Symbol] OUTLET-DATA-WALL M.H. 14"
[Symbol] PANELBOARD 120/208 VOLTS-M.H. 6'-6" TO TOP
[Symbol] TELEVISION OUTLET-WALL M.H. 1'-8"
[Symbol] NURSE CALL DOME LIGHT - REFER TO SCHEDULE
[Symbol] ENCLOSED CIRCUIT BREAKER
[Symbol] DISCONNECT SWITCH-UNFUSED, FUSED M.H. 5'-6" TO TOP
[Symbol] MOTOR-SINGLE PHASE, THREE PHASE, HORSEPOWER AS NOTED
[Symbol] HEATING ELEMENT-CAPACITY AS NOTED
[Symbol] FIRE ALARM-PULL STATION M.H. 3'-10"
[Symbol] FIRE ALARM-AUDIBLE SIGNAL AND VISUAL FLASHER
[Symbol] FIRE ALARM-VISUAL FLASHER
[Symbol] FIRE ALARM-SMOKE DETECTOR
[Symbol] FIRE ALARM-DUCT MOUNTED SMOKE DETECTOR IN SUPPLY & RETURN
[Symbol] FIRE ALARM CONTROL PANEL
[Symbol] DRAWING NOTE
[Symbol] GROUND CONNECTION
[Symbol] BRANCH CIRCUIT-IN CEILING OR WALLS
[Symbol] BRANCH CIRCUIT-IN FLOOR
[Symbol] BRANCH CIRCUIT-UNDERGROUND
[Symbol] BRANCH CIRCUIT-EXPOSED ON CEILING OR WALLS
[Symbol] HOMERUN TO PANEL-LETTER AND NO. INDICATES CIRCUIT NUMBER. NO. OF CROSSLINES INDICATES NO. OF CONDUCTORS WHEN MORE THAN 3.
[Symbol] PHOTOCELL

**NOTICE TO CONTRACTORS:**

ALL CONTRACTORS PRIOR TO BID SUBMISSION PROCESS SHALL VISIT PROPOSED WORK SITE AND FIELD VERIFY ALL EXISTING CONDITIONS. ANY CONDITIONS THAT DIFFER FROM THAT SHOWN ON THIS PLAN SHALL BE REPORTED TO ARCHITECT/ENGINEER SO THAT NEW AND REVISED BID DRAWINGS OR INFORMATION MAY BE ISSUED. MODIFICATIONS TO SCOPE OF WORK WHICH RESULT FROM CONTRACTORS NEGLIGENCE TO VISIT THE SITE PRIOR TO SUBMITTING BID, SHALL BE THE CONTRACTORS SOLE RESPONSIBILITY.

ELECTRICAL LOAD SUMMARY table showing LOAD, CONNECTED KVA, DEMAND FACTOR, DEMAND KVA. Includes categories like LIGHTING, RECEPTACLES, MOTORS, HEATING, AIR CONDITIONING, WATER HEATER, KITCHEN EQUIPMENT, SHOW WINDOW LIGHTING, and TOTAL (WINTER LOAD).

- \* FIRST 10.0 KVA AT 100%, BALANCE OF LOAD AT 50% KVA (NEC 220-13)
\*\* HEATING AND AIR CONDITIONING ARE NON-SIMULTANEOUS LOAD
\*\*\* ALL TRACK LIGHTING LOADS BASED ON 1999 NATIONAL ELECTRIC CODE OF 75 WATTS/LINEAR FOOT OF TRACK.

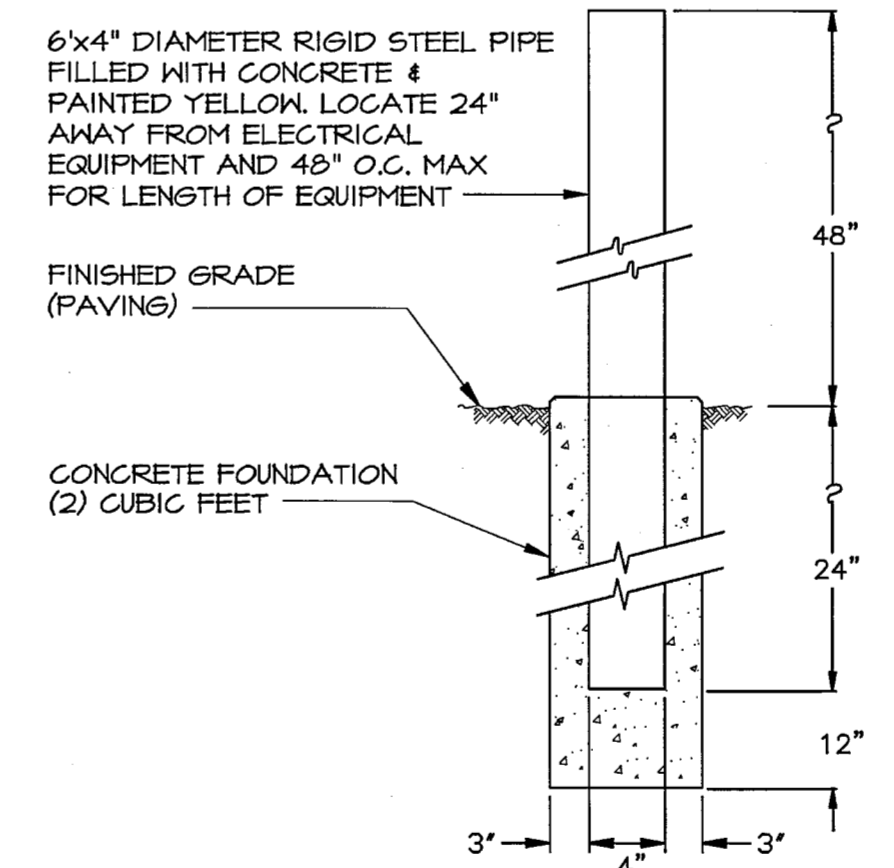


**FIRE ALARM RISER**

NO SCALE
REFER TO THE FLOOR PLANS FOR LOCATIONS AND QUANTITIES

**FIRE ALARM NOTES**

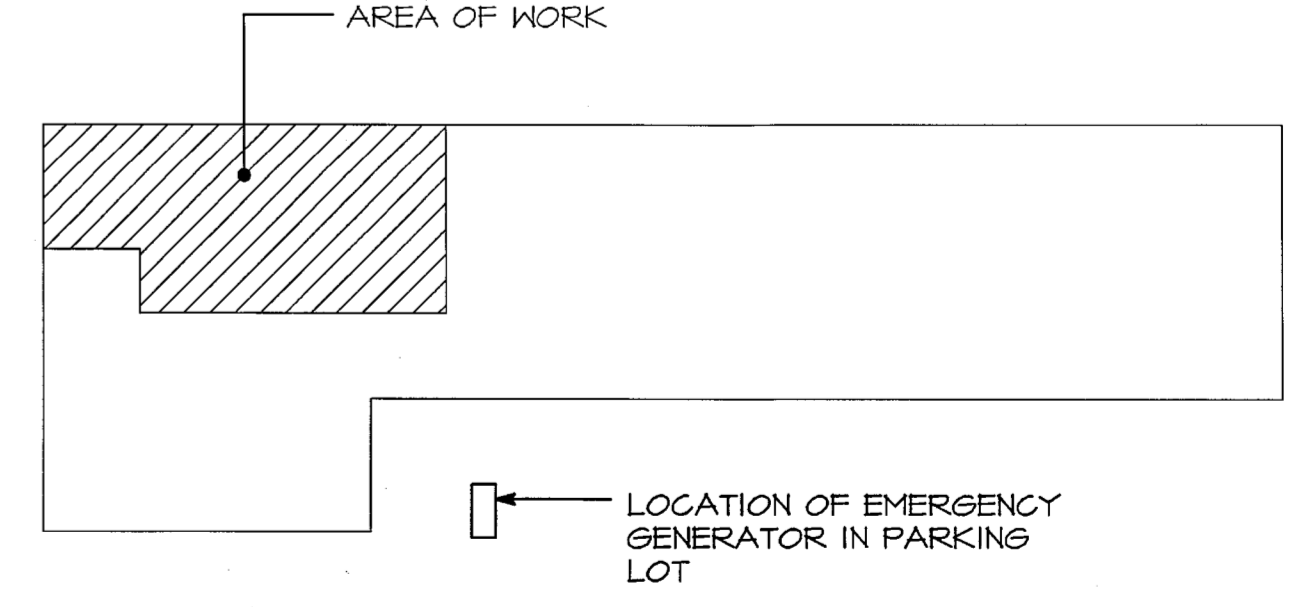
- 1. CONNECT TO THE EXISTING SYSTEM PER MANUFACTURERS RECOMMENDATIONS, MAKE ALL MODIFICATIONS AND ADDITIONS AS NECESSARY TO THE EXISTING SYSTEM.



PROTECTIVE POST-DETAIL  
NO SCALE

**ABBREVIATIONS**

- AFF - ABOVE FINISHED FLOOR MTD - MOUNTED
C - CONDUIT NEC - NATIONAL ELECTRIC CODE
CH - COUNTER HEIGHT NL - NIGHT LIGHT
DWS - DRAWING US - UNDERGROUND
EF - EXHAUST FAN W - WITH
GRD - GROUND WP - WEATHERPROOF
GFI - GROUND FAULT INTERRUPTER XR - EXISTING TO REMAIN
MH - MOUNTING HEIGHT



KEY PLAN  
NO SCALE

REVISIONS table with columns for REV#, DATE, and DESCRIPTION.

don penn CONSULTING ENGINEERS
3950 HIGHWAY 360, SUITE 101
GRAPEVINE, TEXAS 76051
817-410-2858 FAX 817-251-8411

FREDRICK WARD ASSOCIATES, INC.
P.O. Box 727, 5 South Main Street, Bel Air, Maryland 21014-0727
Phone: 410-879-2090 or 410-838-7900 Fax: 410-893-1243
Columbia, Maryland Warrenton, Virginia

TENANT RENOVATIONS FOR:
RMS LIFE LINE
WALL STREET AND WESLEY AVENUE
NORWOOD, OHIO

Table with project information including DATE (9/26/01), SCALE (AS NOTED), DESIGNED BY (M.J.B.), DRAWN BY (M.J.B.), SHEET 1 OF 4, and DATE PLOT (2011215.00).