

PLASTIC LAMINATE SCHEDULE

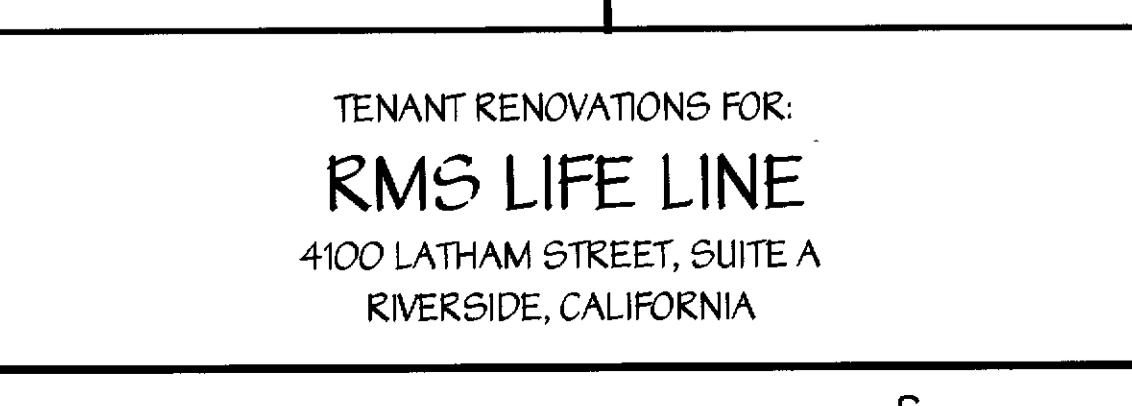
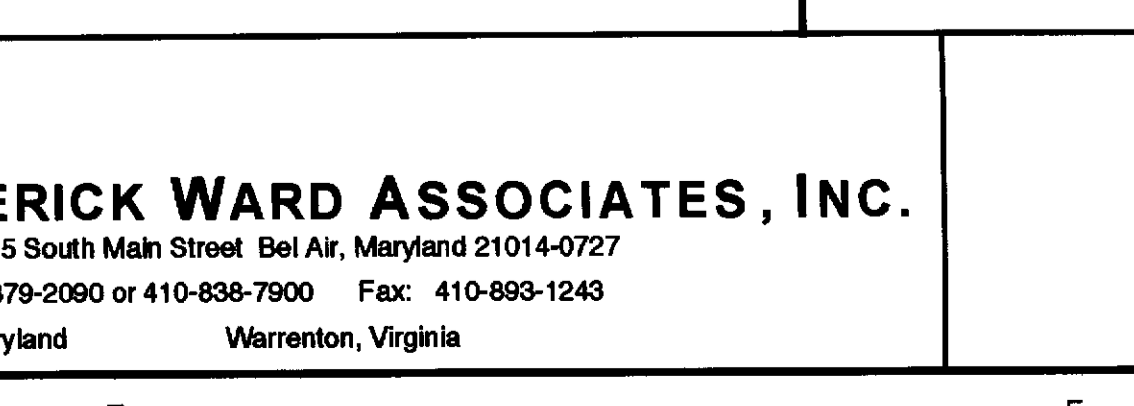
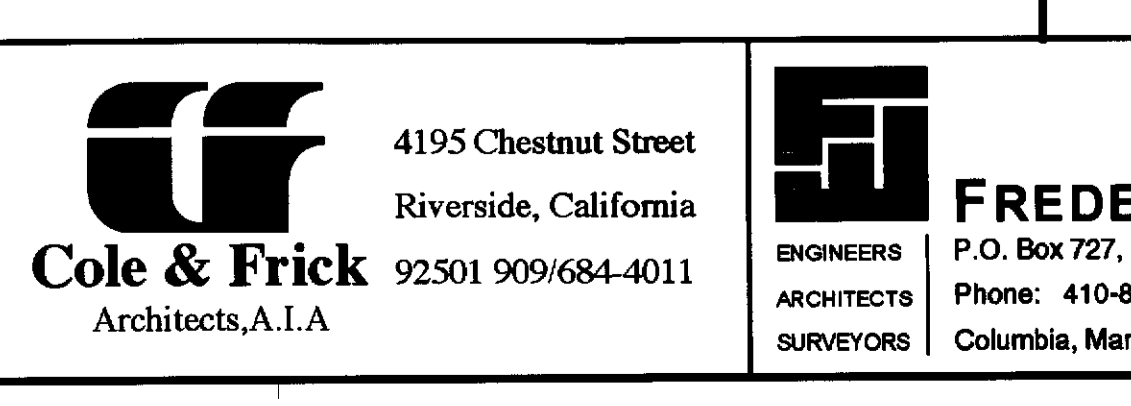
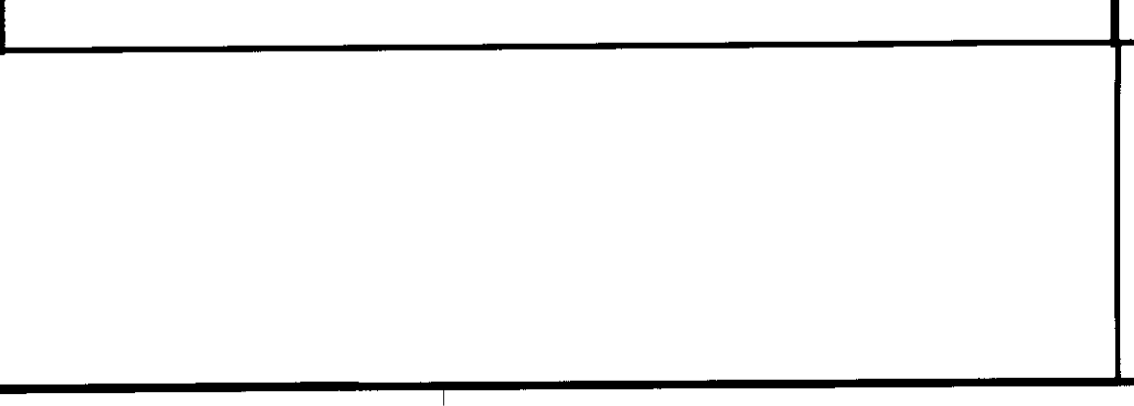
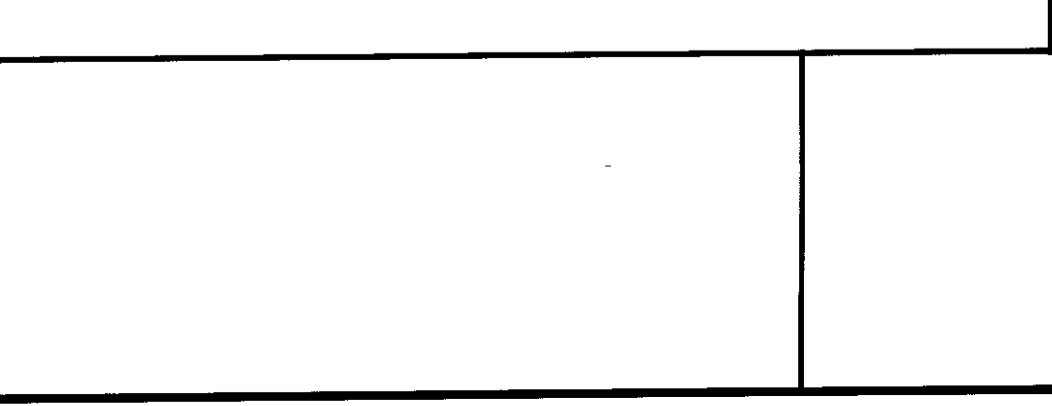
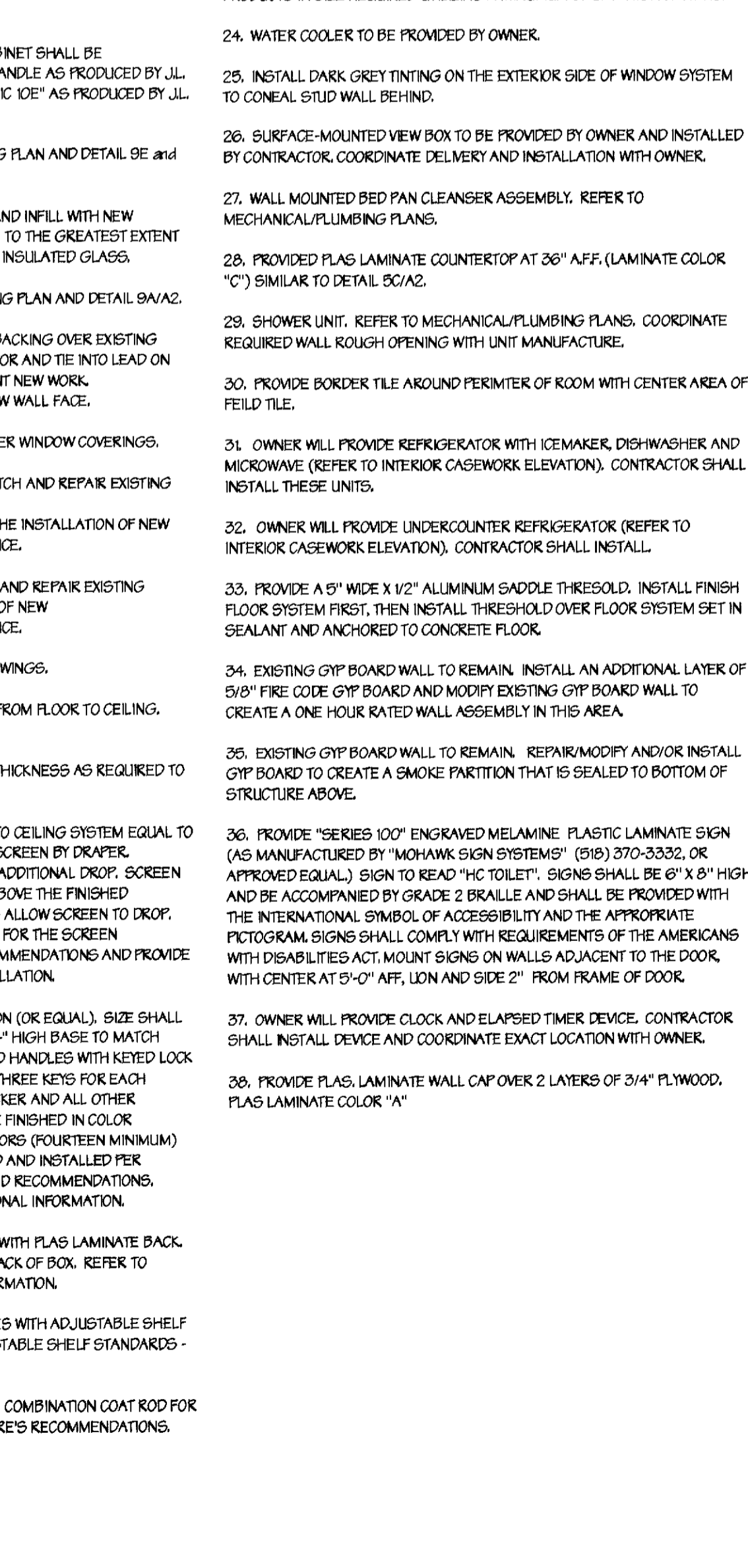
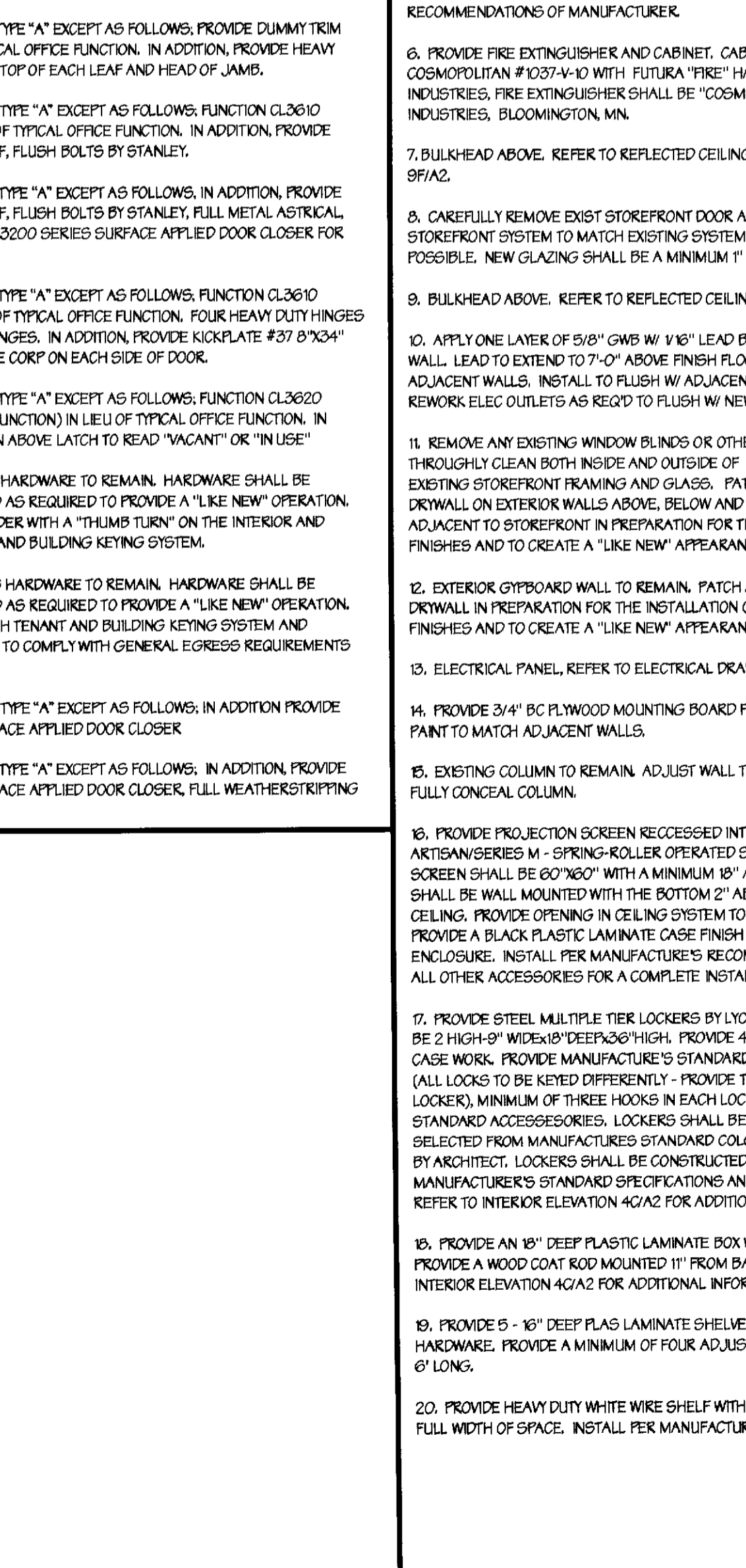
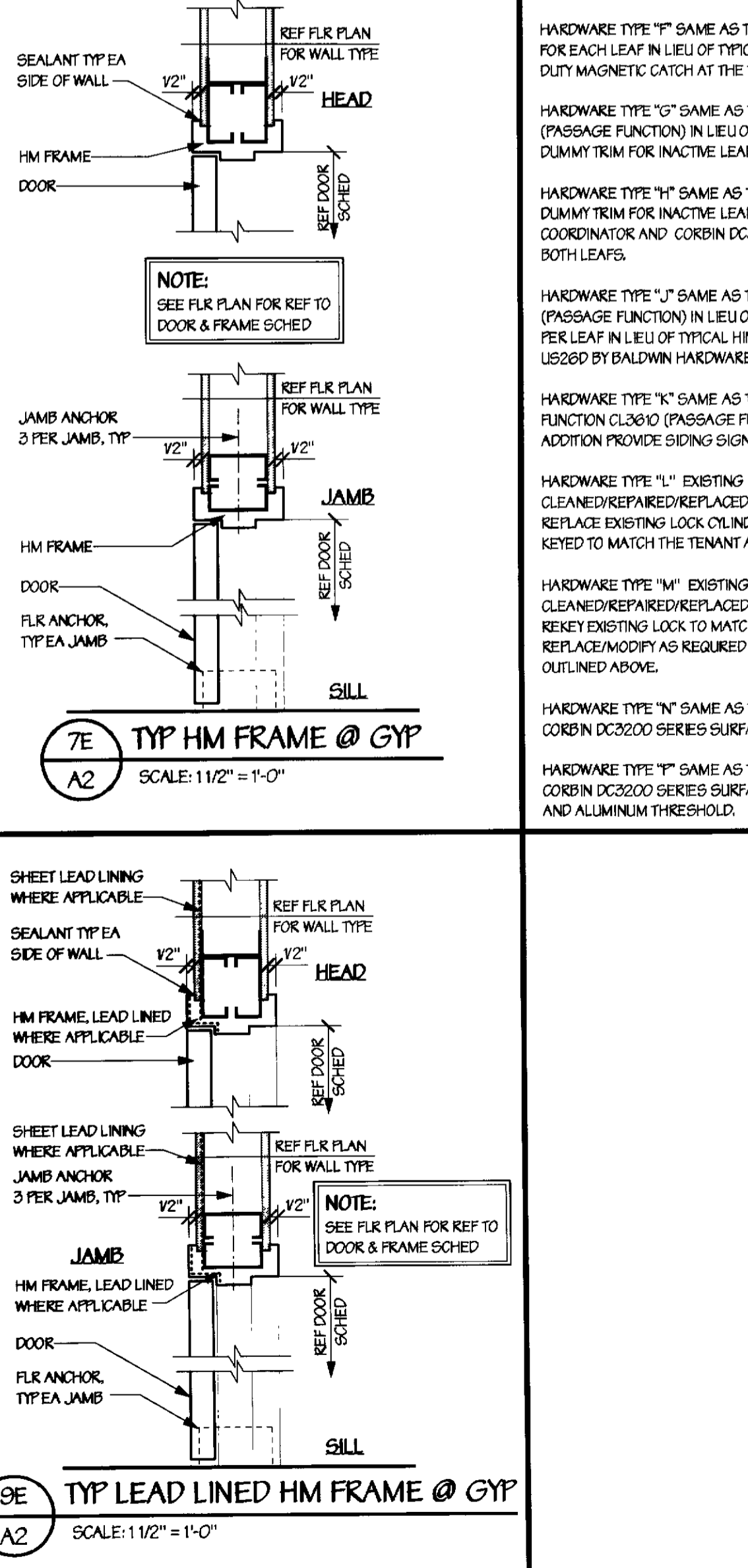
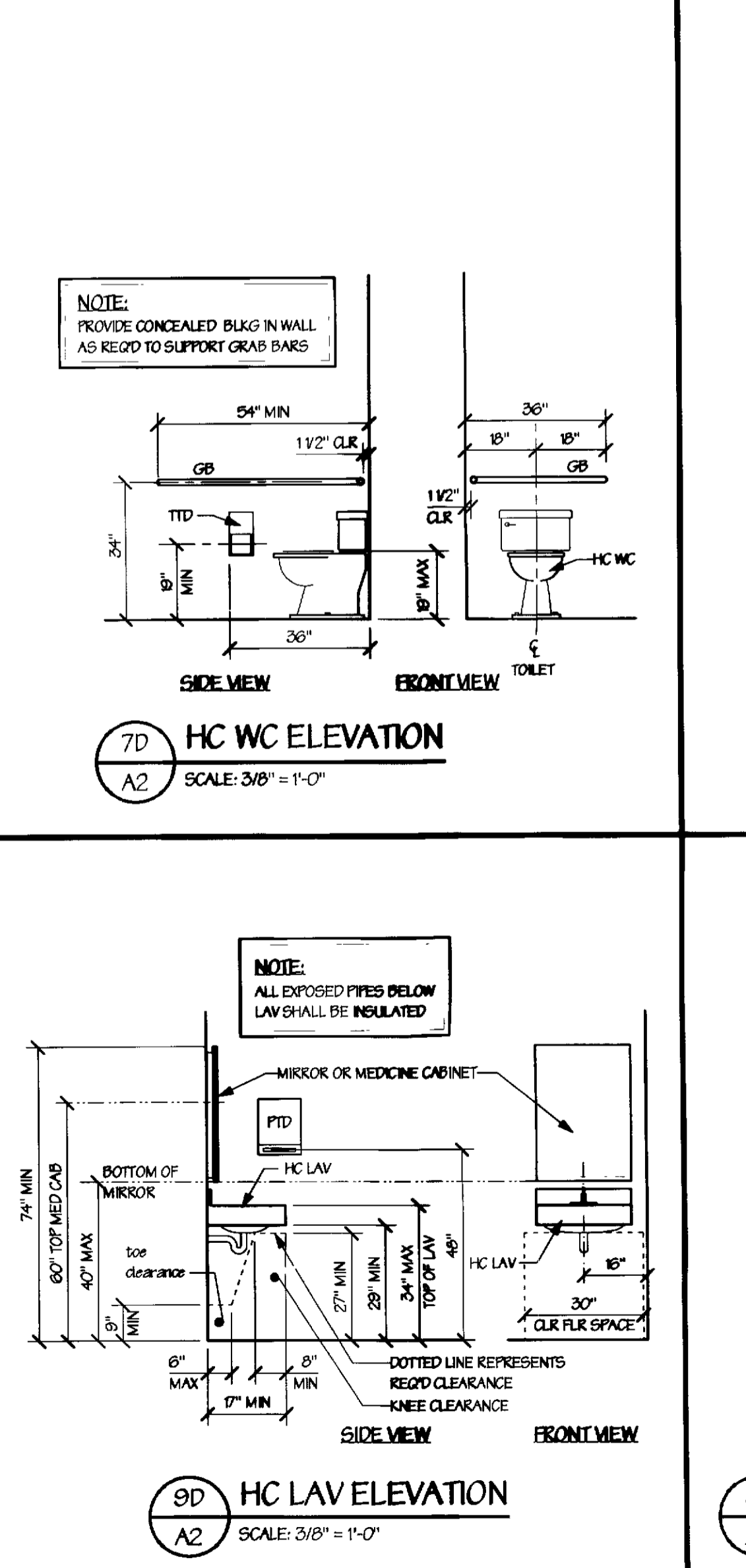
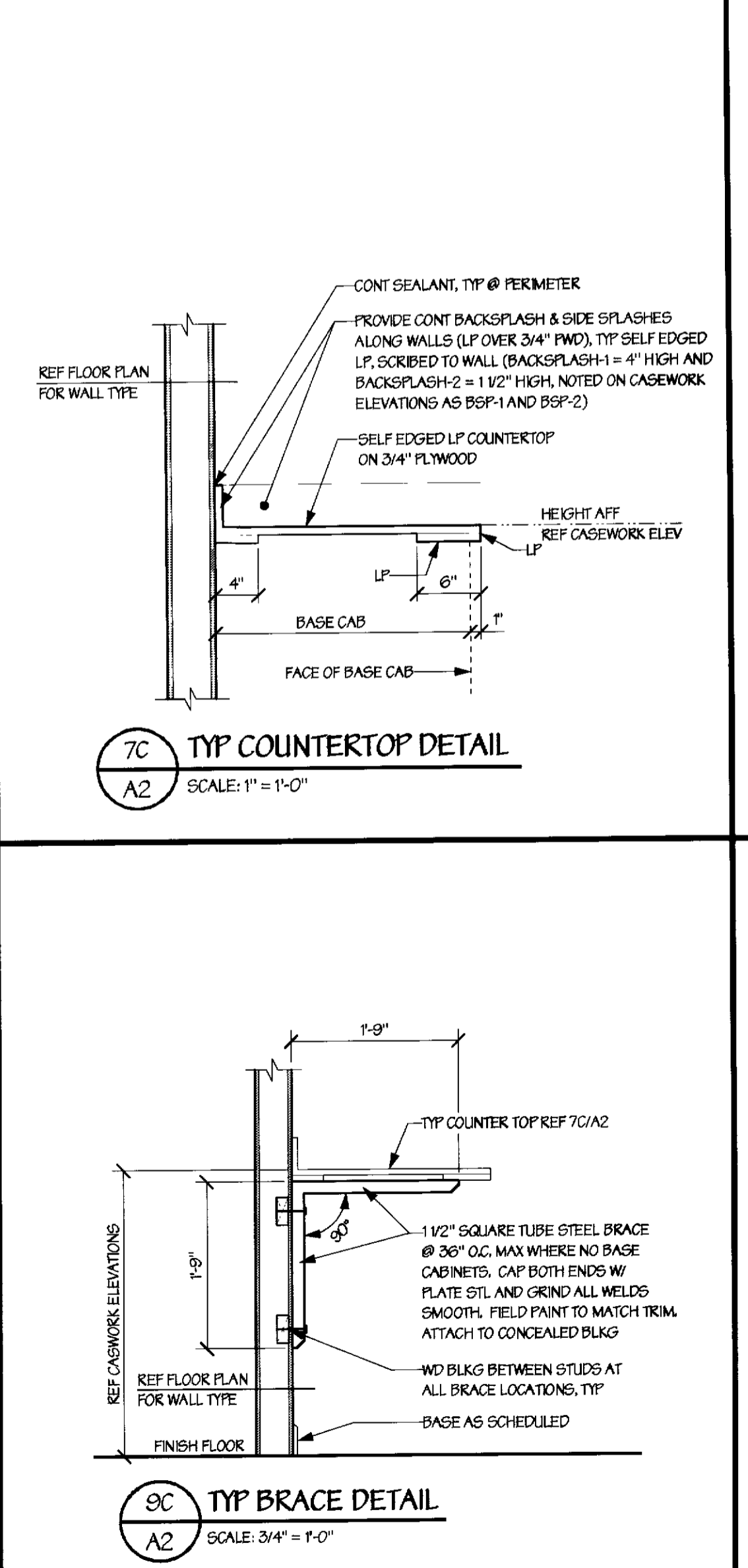
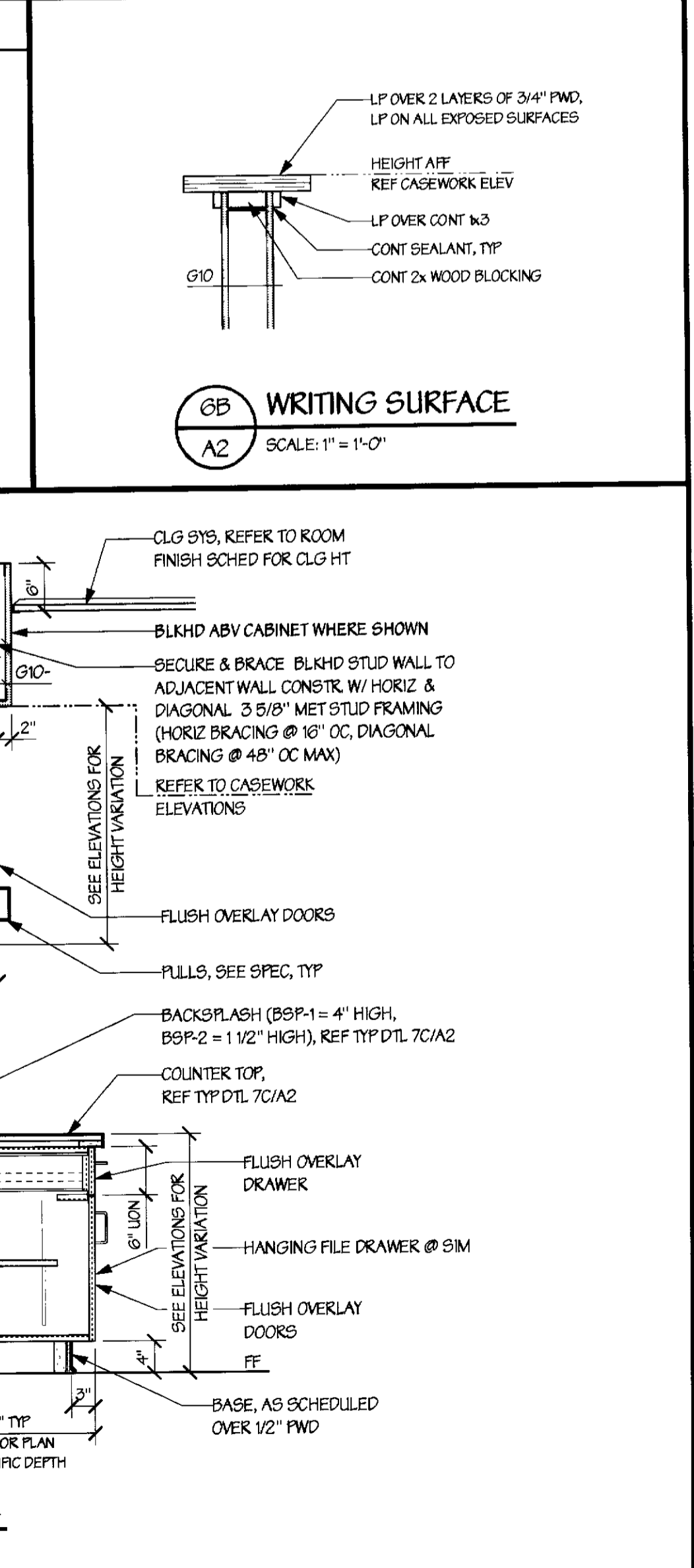
PLAS LAM "A"	Formica 7017-58 "Spring Foliage"
PLAS LAM "B"	Formica 7023-58 "Gray Canvas"
PLAS LAM "C"	Formica 7226-58 "Crayon"
PLAS LAM "D"	Formica 7347-58 "Pastel Crayon"

WRITING SURFACE

SCALE: 1" = 1'-0"

TYP CASEWORK DTL

SCALE: 3/4" = 1'-0"



HARDWARE SCHEDULE

GENERAL HARDWARE NOTE: ALL COMPONENTS OF HARDWARE SHALL BE PROVIDED FOR A COMPLETELY FUNCTIONING HARDWARE INSTALLATION. ALL COMPONENTS SHALL COMPLY WITH LOCAL, STATE AND FEDERAL ADA DISABILITY REQUIREMENTS. ALL EGRESS DOORS SHALL BE KEYPAD OPERABLE FROM THE SIDE FROM WHICH EGRESS IS TO BE MADE WITHOUT A KEY OR SPECIAL KNOWLEDGE OR EFFORT. COORDINATE KEYS SYSTEM WITH OWNER AND LANDLORD.

HARDWARE TYPE "A" IS TYPICAL FOR ALL NEW DOORS. PROVIDE AS A MINIMUM, CL2000 SERIES LEVER HANDLE LOCKSETS (182500 FINISH) BY CORBIN, STYLE NED; NEWPORT, FUNCTION CL2005 (OFFICE FUNCTION) UNLESS NOTED OTHERWISE BELOW. 4 1/2" BUTT HINGES (MINIMUM 3 PER LEAF) BY STANLEY, WELD ST07 BY KNOXBORO.

HARDWARE TYPE "B" IS SAME AS TYPE "A" EXCEPT AS FOLLOWS: FUNCTION CL2620 (FRONT FUNCTION) IN LIEU OF TYPICAL OFFICE FUNCTION.

HARDWARE TYPE "C" IS SAME AS TYPE "A" EXCEPT AS FOLLOWS: FUNCTION CL2610 (PASSAGE FUNCTION) IN LIEU OF TYPICAL OFFICE FUNCTION. IN ADDITION PROVIDE CORBIN DC2020 SERIES SURFACE APPLIED DOOR CLOSER.

HARDWARE TYPE "D" IS SAME AS TYPE "A" EXCEPT AS FOLLOWS: FUNCTION CL2627 (STORAGE FUNCTION) IN LIEU OF TYPICAL OFFICE FUNCTION.

HARDWARE TYPE "E" IS SAME AS TYPE "A" EXCEPT AS FOLLOWS: FUNCTION CL2610 (PASSAGE FUNCTION) IN LIEU OF TYPICAL OFFICE FUNCTION.

HARDWARE TYPE "F" IS SAME AS TYPE "A" EXCEPT AS FOLLOWS: PROVIDE DUMMAY TRIM FOR INACTIVE LEAF; FLUSH BOLTS BY STANLEY. PROVIDE HEAVY DUTY MAGNETIC CATCH AT THE TOP OF EACH LEAF AND HEAD OF JAMB.

HARDWARE TYPE "G" IS SAME AS TYPE "A" EXCEPT AS FOLLOWS: FUNCTION CL2610 (PASSAGE FUNCTION) IN LIEU OF TYPICAL OFFICE FUNCTION. IN ADDITION PROVIDE DUMMAY TRIM FOR INACTIVE LEAF; FLUSH BOLTS BY STANLEY. PROVIDE HEAVY DUTY MAGNETIC CATCH AT THE TOP OF EACH LEAF AND HEAD OF JAMB.

HARDWARE TYPE "H" IS SAME AS TYPE "A" EXCEPT AS FOLLOWS: FUNCTION CL2620 (FRONT FUNCTION) IN LIEU OF TYPICAL OFFICE FUNCTION. FOUR HEAVY DUTY HINGES PER LEAF IN LIEU OF TYPICAL HINGES. IN ADDITION, PROVIDE KICKPLATE #37 8"X24" US280 BY BALDWIN HARDWARE CORP ON EACH SIDE OF DOOR.

HARDWARE TYPE "I" IS SAME AS TYPE "A" EXCEPT AS FOLLOWS: FUNCTION CL2620 (FRONT FUNCTION) IN LIEU OF TYPICAL OFFICE FUNCTION. IN ADDITION, PROVIDE KICKPLATE #37 8"X24" US280 BY BALDWIN HARDWARE CORP ON EACH SIDE OF DOOR.

HARDWARE TYPE "J" IS SAME AS TYPE "A" EXCEPT AS FOLLOWS: FUNCTION CL2620 (FRONT FUNCTION) IN LIEU OF TYPICAL OFFICE FUNCTION. IN ADDITION, PROVIDE KICKPLATE #37 8"X24" US280 BY BALDWIN HARDWARE CORP ON EACH SIDE OF DOOR.

HARDWARE TYPE "K" IS SAME AS TYPE "A" EXCEPT AS FOLLOWS: FUNCTION CL2620 (FRONT FUNCTION) IN LIEU OF TYPICAL OFFICE FUNCTION. IN ADDITION, PROVIDE KICKPLATE #37 8"X24" US280 BY BALDWIN HARDWARE CORP ON EACH SIDE OF DOOR.

HARDWARE TYPE "L" IS SAME AS TYPE "A" EXCEPT AS FOLLOWS: FUNCTION CL2620 (FRONT FUNCTION) IN LIEU OF TYPICAL OFFICE FUNCTION. IN ADDITION, PROVIDE KICKPLATE #37 8"X24" US280 BY BALDWIN HARDWARE CORP ON EACH SIDE OF DOOR.

HARDWARE TYPE "M" IS SAME AS TYPE "A" EXCEPT AS FOLLOWS: FUNCTION CL2620 (FRONT FUNCTION) IN LIEU OF TYPICAL OFFICE FUNCTION. IN ADDITION, PROVIDE KICKPLATE #37 8"X24" US280 BY BALDWIN HARDWARE CORP ON EACH SIDE OF DOOR.

HARDWARE TYPE "N" IS SAME AS TYPE "A" EXCEPT AS FOLLOWS: FUNCTION CL2620 (FRONT FUNCTION) IN LIEU OF TYPICAL OFFICE FUNCTION. IN ADDITION, PROVIDE KICKPLATE #37 8"X24" US280 BY BALDWIN HARDWARE CORP ON EACH SIDE OF DOOR.

HARDWARE TYPE "O" IS SAME AS TYPE "A" EXCEPT AS FOLLOWS: FUNCTION CL2620 (FRONT FUNCTION) IN LIEU OF TYPICAL OFFICE FUNCTION. IN ADDITION, PROVIDE KICKPLATE #37 8"X24" US280 BY BALDWIN HARDWARE CORP ON EACH SIDE OF DOOR.

HARDWARE TYPE "P" IS SAME AS TYPE "A" EXCEPT AS FOLLOWS: FUNCTION CL2620 (FRONT FUNCTION) IN LIEU OF TYPICAL OFFICE FUNCTION. IN ADDITION, PROVIDE KICKPLATE #37 8"X24" US280 BY BALDWIN HARDWARE CORP ON EACH SIDE OF DOOR.

HARDWARE TYPE "Q" IS SAME AS TYPE "A" EXCEPT AS FOLLOWS: FUNCTION CL2620 (FRONT FUNCTION) IN LIEU OF TYPICAL OFFICE FUNCTION. IN ADDITION, PROVIDE KICKPLATE #37 8"X24" US280 BY BALDWIN HARDWARE CORP ON EACH SIDE OF DOOR.

HARDWARE TYPE "R" IS SAME AS TYPE "A" EXCEPT AS FOLLOWS: FUNCTION CL2620 (FRONT FUNCTION) IN LIEU OF TYPICAL OFFICE FUNCTION. IN ADDITION, PROVIDE KICKPLATE #37 8"X24" US280 BY BALDWIN HARDWARE CORP ON EACH SIDE OF DOOR.

HARDWARE TYPE "S" IS SAME AS TYPE "A" EXCEPT AS FOLLOWS: FUNCTION CL2620 (FRONT FUNCTION) IN LIEU OF TYPICAL OFFICE FUNCTION. IN ADDITION, PROVIDE KICKPLATE #37 8"X24" US280 BY BALDWIN HARDWARE CORP ON EACH SIDE OF DOOR.

HARDWARE TYPE "T" IS SAME AS TYPE "A" EXCEPT AS FOLLOWS: FUNCTION CL2620 (FRONT FUNCTION) IN LIEU OF TYPICAL OFFICE FUNCTION. IN ADDITION, PROVIDE KICKPLATE #37 8"X24" US280 BY BALDWIN HARDWARE CORP ON EACH SIDE OF DOOR.

HARDWARE TYPE "U" IS SAME AS TYPE "A" EXCEPT AS FOLLOWS: FUNCTION CL2620 (FRONT FUNCTION) IN LIEU OF TYPICAL OFFICE FUNCTION. IN ADDITION, PROVIDE KICKPLATE #37 8"X24" US280 BY BALDWIN HARDWARE CORP ON EACH SIDE OF DOOR.

HARDWARE TYPE "V" IS SAME AS TYPE "A" EXCEPT AS FOLLOWS: FUNCTION CL2620 (FRONT FUNCTION) IN LIEU OF TYPICAL OFFICE FUNCTION. IN ADDITION, PROVIDE KICKPLATE #37 8"X24" US280 BY BALDWIN HARDWARE CORP ON EACH SIDE OF DOOR.

HARDWARE TYPE "W" IS SAME AS TYPE "A" EXCEPT AS FOLLOWS: FUNCTION CL2620 (FRONT FUNCTION) IN LIEU OF TYPICAL OFFICE FUNCTION. IN ADDITION, PROVIDE KICKPLATE #37 8"X24" US280 BY BALDWIN HARDWARE CORP ON EACH SIDE OF DOOR.

HARDWARE TYPE "X" IS SAME AS TYPE "A" EXCEPT AS FOLLOWS: FUNCTION CL2620 (FRONT FUNCTION) IN LIEU OF TYPICAL OFFICE FUNCTION. IN ADDITION, PROVIDE KICKPLATE #37 8"X24" US280 BY BALDWIN HARDWARE CORP ON EACH SIDE OF DOOR.

HARDWARE TYPE "Y" IS SAME AS TYPE "A" EXCEPT AS FOLLOWS: FUNCTION CL2620 (FRONT FUNCTION) IN LIEU OF TYPICAL OFFICE FUNCTION. IN ADDITION, PROVIDE KICKPLATE #37 8"X24" US280 BY BALDWIN HARDWARE CORP ON EACH SIDE OF DOOR.

HARDWARE TYPE "Z" IS SAME AS TYPE "A" EXCEPT AS FOLLOWS: FUNCTION CL2620 (FRONT FUNCTION) IN LIEU OF TYPICAL OFFICE FUNCTION. IN ADDITION, PROVIDE KICKPLATE #37 8"X24" US280 BY BALDWIN HARDWARE CORP ON EACH SIDE OF DOOR.

CONSTRUCTION NOTES:

- CENTER NEW WALL ON CENTERLINE OF EXIST WALL UNLESS OTHERWISE NOTED. PROVIDE INSTEAD METAL CHANNEL TO MATCH STROKELINE FRAMING OVER END OF NEW WALL.
- ALIGN NEW PARTITION W/ EXISTING WINDOW JAMBS AND/OR EXIST WALL FACE. BLEND SURFACES TOGETHER FOR A SMOOTH UNIFORM FINISH.
- 2" DEEP (MIN 48" WIDE) PLAS LAMINATED BENCH AT 18" AFF. PROVIDE FRAMING ACROSS FRONT EDGE OF BENCH SUCH THAT THERE IS AN OPEN SPACE BELOW BENCH. PROVIDE BLOCKING IN WALL AND SECURELY FASTEN BENCH TO WALL. BENCH SHALL BE INSTALLED TO SUPPORT A MINIMUM OF 400 POUNDS AND H.C. LOADING AS REQUIRED BY ADA.
- PROVIDE 12" HIGH X 12" WIDE X 12" DEEP PLAS LAMINATE LOCKERS PER ELEVATION 40A/2. EACH DOOR SHALL BE PROVIDED WITH A KEYPAD LOCK AND SHALL BE KEYPAD INDIVIDUALLY. PROVIDE THREE KEYS FOR EACH LOCK. PROVIDE SELF CLOSING HINGES AND MAGNETIC CATCHES.
- PROVIDE HOSPITAL CLINICAL CURTAIN SYSTEM, INCLUDING TRACK AND ALL NECESSARY HARDWARE FOR A COMPLETE INSTALLATION EQUAL TO THE PRODUCTS OF IMPERIAL FASTENER COMPANY, MODEL FC-580 CLINICAL TRACK WITH PFC-100 ROLLER CARBON. PROVIDE CURTAIN FROM 100% THERMO POLYESTER CUBIC FABRIC WITH COLOR SELECTED BY ARCHITECT FROM MANUFACTURER'S FULL RANGE OF SOLID COLORS AND PRINT PATTERNS. CURTAIN SHALL BE PROVIDED WITH 1/2" (1/2" MIN) AND SHALL HANG TO 1/2" ABOVE FINISH FLOOR. PROVIDE SURFACE MOUNTED TRACK THAT IS DESIGNED TO MOUNT DIRECTLY TO CEILING. COLOR SHALL BE WHITE. INSTALL PER RECOMMENDATIONS OF MANUFACTURER.
- ORIGIN STATION OUTLET @ 48" AFF. REFER TO MECHANICAL PLANS. PROVIDE SIGN AT EACH STATION TO LEGIBLY IDENTIFY ORIGIN CONTENT. MOUNT SIGN DIRECTLY ABOVE OUTLET. SIGN SHALL BE EQUAL TO CUSTOM ENGRAVED SETPOINT SIGNS BY SETON IDENTIFICATION PRODUCTS IN SIZE REQUIRED UTILIZING A MINIMUM OF 3/4" HIGH LETTERS.
- INSTALL A PRECAUTIONARY SIGN READABLE FROM A DISTANCE OF 5 FEET SHALL BE INSTALLED IN THE CENTER OF EACH LEAF. PROVIDE SIGN WITH THE FOLLOWING WORDING AS A MINIMUM: "CAUTION: CHOKING DANGEROUS" (SEE DETAIL 70A). SIGN SHALL BE EQUAL TO CUSTOM ENGRAVED SETPOINT SIGNS BY SETON IDENTIFICATION PRODUCTS IN SIZE REQUIRED UTILIZING A MINIMUM OF 3/4" HIGH LETTERS.
- WATER COOLER TO BE PROVIDED BY OWNER.
- INSTALL DARK GREY TINTING ON THE EXTERIOR SIDE OF WINDOW SYSTEM TO CONAL SIGHT BEHIND.
- SURFACE MOUNTED VIEW BOX TO BE PROVIDED BY OWNER AND INSTALLED BY CONTRACTOR. COORDINATE DELIVERY AND INSTALLATION WITH OWNER. MECHANICAL PLUMBING PLANS.
- PROVIDED PLAS LAMINATE COUNTERTOP AT 26" AFF. (LAMINATE COLOR "C") SIMILAR TO DETAIL 50A/2.
- SHOWER UNIT. REFER TO MECHANICAL/PLUMBING PLANS. COORDINATE REQUIRED W/DOUGH OPENING WITH UNIT MANUFACTURER.
- PROVIDE BORDER TILE AROUND PERIMETER OF ROOM WITH CENTER AREA OF FIELD TILE.
- OWNER WILL PROVIDE REFRIGERATOR WITH ICE MAKER, DISH WASHER AND MICROWAVE (REFER TO INTERIOR CASEWORK ELEVATION). CONTRACTOR SHALL INSTALL THESE UNITS.
- OWNER WILL PROVIDE UNDERCOUNTER REFRIGERATOR (REFER TO INTERIOR CASEWORK ELEVATION). CONTRACTOR SHALL INSTALL.
- PROVIDE A 5" WIDE X 1/2" ALUMINUM SADDLE THRESHOLD. INSTALL FINISH FLOOR SYSTEM FIRST, THEN INSTALL THRESHOLD OVER FLOOR SYSTEM SET IN SEALANT AND ANCHORED TO CONCRETE FLOOR.
- EXISTING GYP BOARD WALL TO REMAIN. INSTALL AN ADDITIONAL LAYER OF 5/8" FIRE CODE GYP BOARD AND MOOPY EXISTING GYP BOARD WALL TO CREATE A ONE HOUR RATED WALL ASSEMBLY IN THIS AREA.
- EXISTING COLUMN TO REMAIN. REPAIR/MOOPY AND/OR INSTALL GYP BOARD TO CREATE A SMOKE PARTITION THAT IS SEALED TO BOTTOM OF STRUCTURE ABOVE.
- PROVIDE "SERIES 100" ENGRAVED MELAMINE PLASTIC LAMINATE SIGN (AS MANUFACTURED BY "MORHAM SIGN SYSTEMS") (58) 270-3532, OR APPROVED EQUAL. SIGN TO READ "TOILET". SIGN SHALL BE 36" HIGH AND BE ACCOMPANIED BY GRADE 2 BRAILLE AND SHALL BE PROVIDED WITH THE INTERNATIONAL SYMBOL OF ACCESSIBILITY AND THE APPROPRIATE PICTOGRAM SIGNS SHALL COMPLY WITH REQUIREMENTS OF THE AMERICANS WITH DISABILITIES ACT. MOUNT SIGNS ON WALLS ADJACENT TO THE DOOR WITH CENTERLINE AT 5'-0" AFF. LION AND SIDE 2" FROM FRAME OF DOOR.
- OWNER WILL PROVIDE CLOCK AND ELAPSED TIME DEVICE. CONTRACTOR SHALL INSTALL DEVICE AND COORDINATE EXACT LOCATION WITH OWNER.
- PROVIDE PLAS LAMINATE WALL CAP OVER 2 LAYERS OF 3/4" PLYWOOD. PLAS LAMINATE COLOR "A".
- PROVIDE PROJECTION SCREEN RECESSED INTO CEILING SYSTEM EQUAL TO INTERCOMMERCE M-5 SPRING-ROLLER OPERATED SCREEN BY DRAPEX. WALL LEAD TO BE 12" TO 12" ABOVE FINISH FLOOR AND TO NOT LEAD TO ADJACENT WALLS. INSTALL TO FLUSH W/ ADJACENT NEW WORK. REWORK ELEC OUTLETS AS REQ'D TO FLUSH W/ NEW WALL FACE.
- REMOVE ANY EXISTING WINDOW BLINDS OR OTHER WINDOW COVERINGS. THOROUGHLY CLEAN BOTH INSIDE AND OUTSIDE OF EXISTING STROKELINE FRAMING AND GLASS. PATCH AND REPAIR EXISTING GLASS ON EXTERIOR WALLS. BELOW GLASS, REMOVE EXISTING LOCK AND REPLACE EXISTING LOCK CYLINDER WITH A "THUMB TURN" ON THE INTERIOR AND TO MATCH THE TENANT AND BUILDING KEYING SYSTEM.
- EXISTING HARDWARE TO REMAIN. HARDWARE SHALL BE CLEANED/REPAIRED/REPLACED AS REQUIRED TO PROVIDE A "LIKE NEW" OPERATION. REFINISH EXISTING LOCK TO MATCH TENANT AND BUILDING KEYING SYSTEM AND REPLACE AS REQUIRED TO COMPLY WITH GENERAL EGRESS REQUIREMENTS OUTLINED ABOVE.
- PROVIDE 3/4" X 1/2" PLYWOOD MOUNTING BOARD FROM FLOOR TO CEILING. PAINT TO MATCH ADJACENT WALLS.
- EXISTING COLUMN TO REMAIN. ADJUST WALL THICKNESS AS REQUIRED TO PROVIDE FULL CONICAL COLUMN.
- PROVIDE "SERIES 100" ENGRAVED MELAMINE PLASTIC LAMINATE SIGN (AS MANUFACTURED BY "MORHAM SIGN SYSTEMS") (58) 270-3532, OR APPROVED EQUAL. SIGN TO READ "TOILET". SIGN SHALL BE 36" HIGH AND BE ACCOMPANIED BY GRADE 2 BRAILLE AND SHALL BE PROVIDED WITH THE INTERNATIONAL SYMBOL OF ACCESSIBILITY AND THE APPROPRIATE PICTOGRAM SIGNS SHALL COMPLY WITH REQUIREMENTS OF THE AMERICANS WITH DISABILITIES ACT. MOUNT SIGNS ON WALLS ADJACENT TO THE DOOR WITH CENTERLINE AT 5'-0" AFF. LION AND SIDE 2" FROM FRAME OF DOOR.
- OWNER WILL PROVIDE CLOCK AND ELAPSED TIME DEVICE. CONTRACTOR SHALL INSTALL DEVICE AND COORDINATE EXACT LOCATION WITH OWNER.
- PROVIDE PLAS LAMINATE WALL CAP OVER 2 LAYERS OF 3/4" PLYWOOD. PLAS LAMINATE COLOR "A".
- PROVIDE 5" X 10" DEEP PLAS LAMINATE BENCH WITH ADJUSTABLE SHELF. HARDWARE: PROVIDE A MINIMUM OF FOUR ADJUSTABLE SELF STANDARDS-6" LONG.
- PROVIDE HEAVY DUTY WHITE WIRE SHELF WITH COMBINATION COMB ROD FOR FULL WIDTH OF SPACE. INSTALL PER MANUFACTURER'S RECOMMENDATIONS.