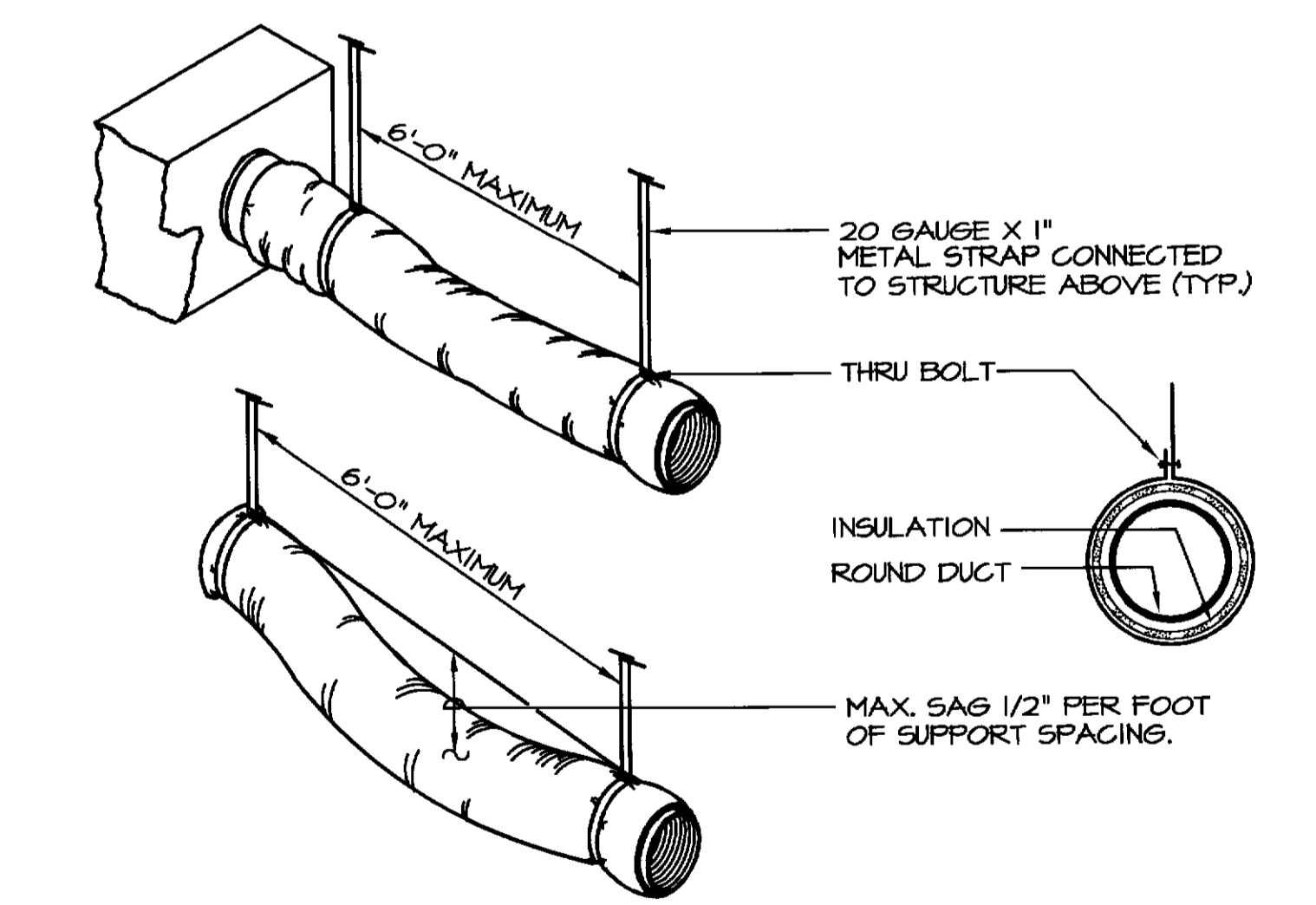


AIR TITE SIZE CHART

DUCTSIZE	CONNECTION RING	DUCTSIZE	CONNECTION RING
5"	8"	9"	12"
6"	9"	10"	13"
7"	10"	11"	15"
8"	11"	12"	17"



REVISIONS

REV#	DATE	DESCRIPTION

DP
DON PENN CONSULTING ENGINEERS
3950 HIGHWAY 380, SUITE 101
GRAPEVINE, TEXAS 76061
817-410-2858 FAX 817-261-8411

FW
FREDRICK WARD ASSOCIATES, INC.
P.O. Box 727, 5 South Main Street, Bel Air, Maryland 21014-0727
Phone: 410-879-2090 or 410-838-7900 Fax: 410-893-1243
Columbia, Maryland Warrenton, Virginia

TENANT RENOVATIONS FOR:
RMS LIFE LINE
RIVERSIDE, CALIFORNIA

DATE: 9/11/01
SCALE: AS NOTED
DESIGNED BY: DLI
DRAWN BY: DLI
SHEET 3 OF 5
TVA JOB NUMBER: 2011215.00
JLR# 1-100a