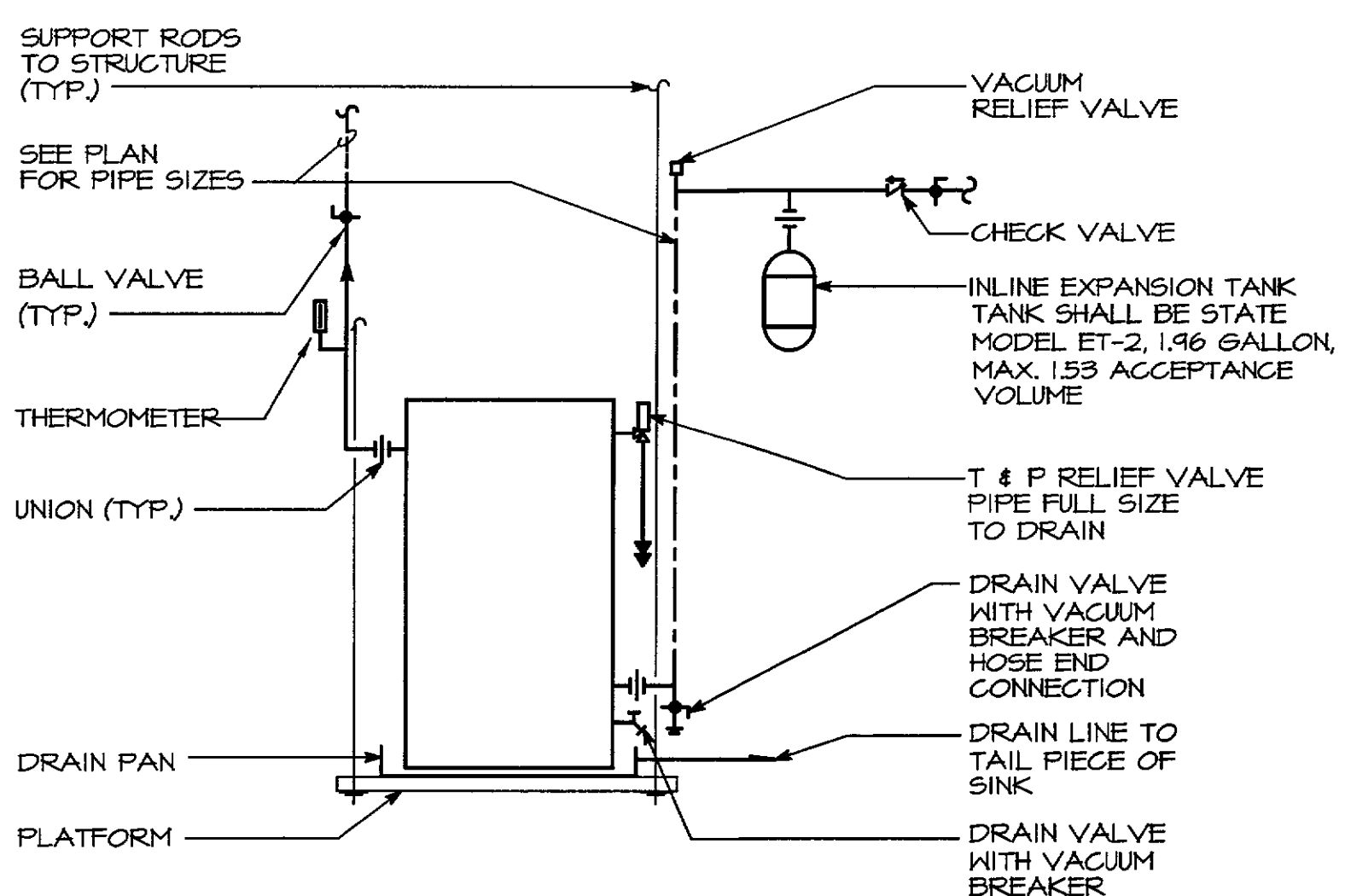
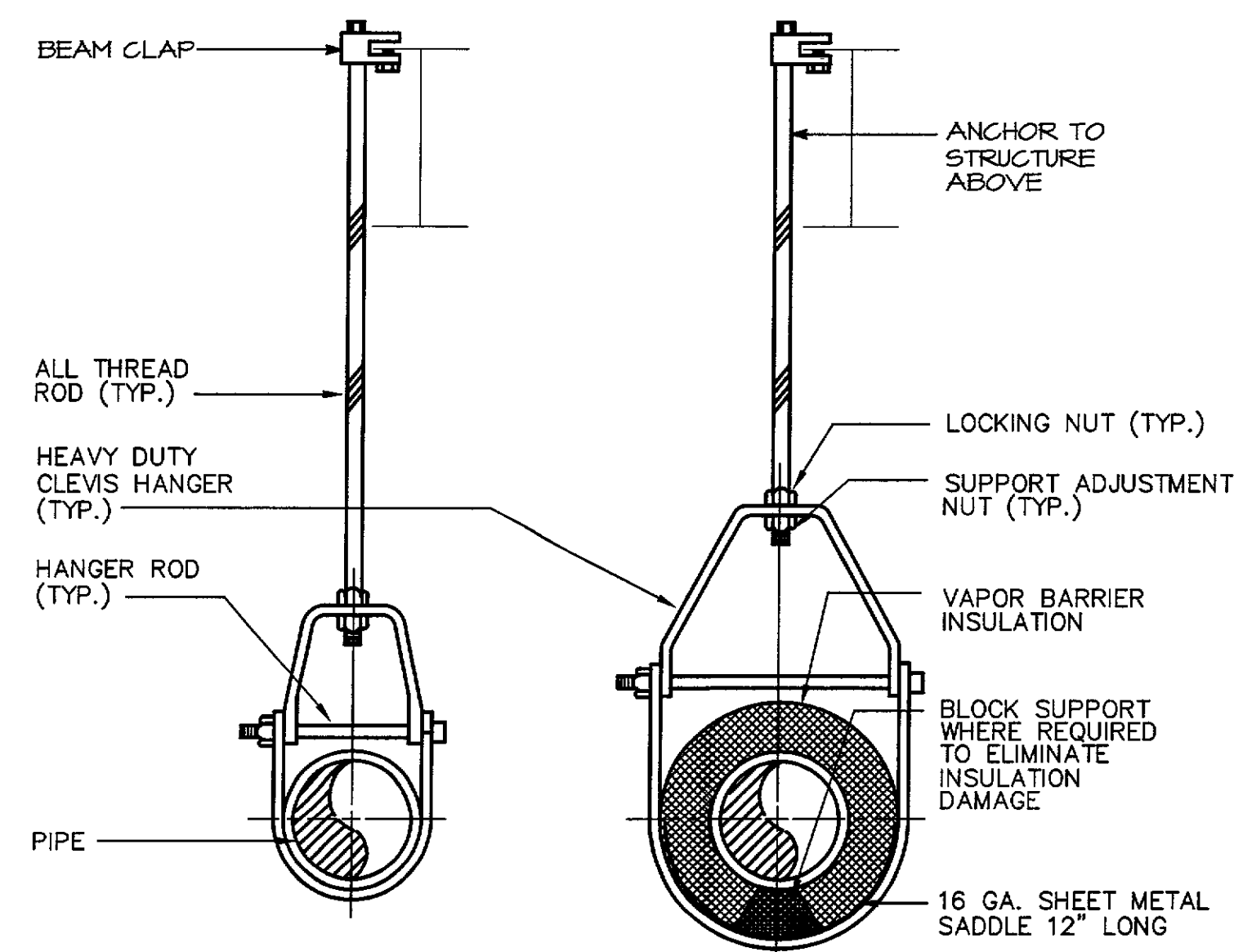


**ELECTRIC WATER HEATER PIPING SCHEMATIC**  
NO SCALE



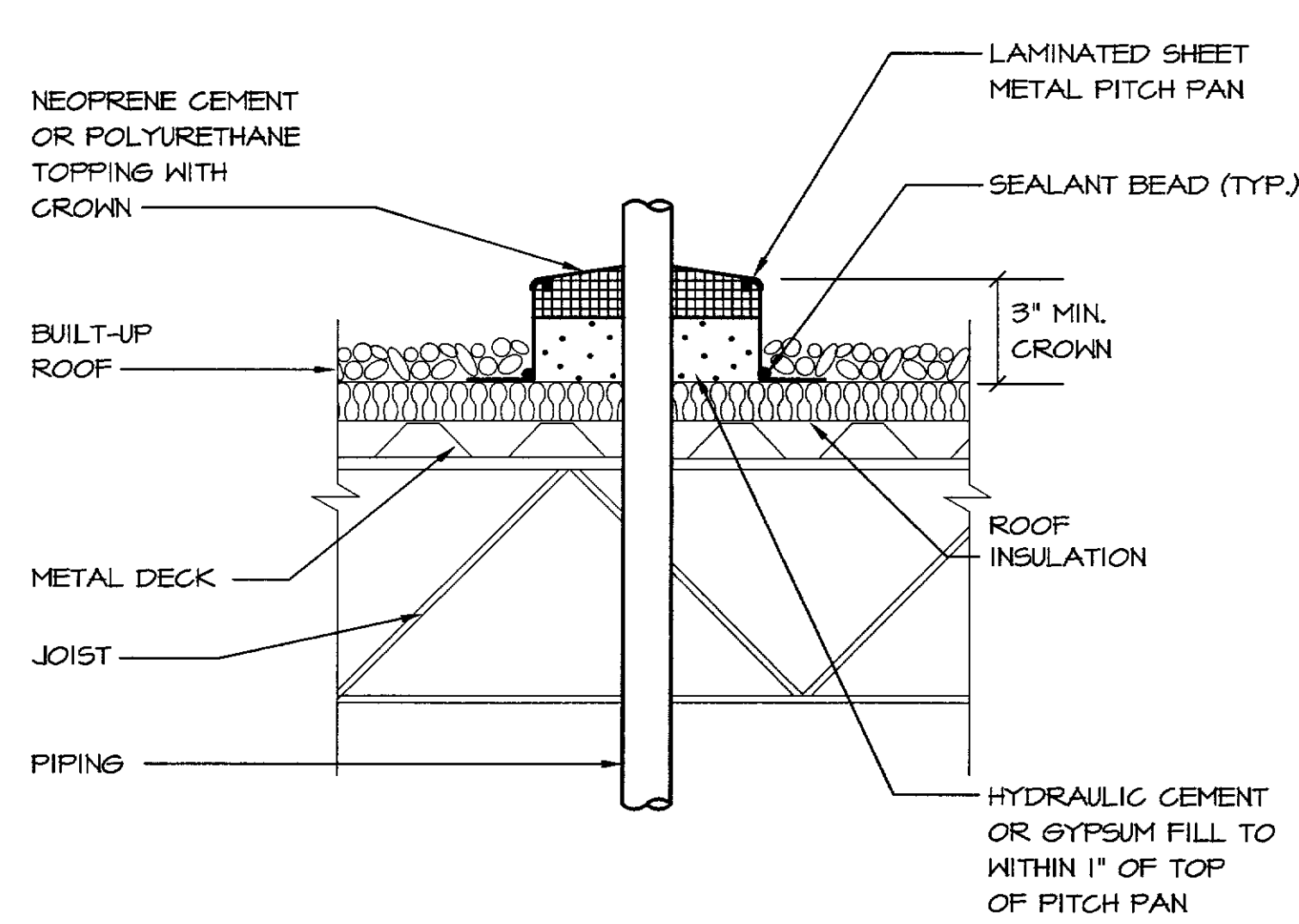
**ELECTRIC WATER HEATER PIPING SCHEMATIC (CEILING MOUNTED)**  
NO SCALE

NOTES:  
1) HOT WATER HEATER SHALL BE MOUNTED ABOVE CEILING ON PLATFORM SUSPENDED FROM STRUCTURE ABOVE, BY SUPPORT RODS.

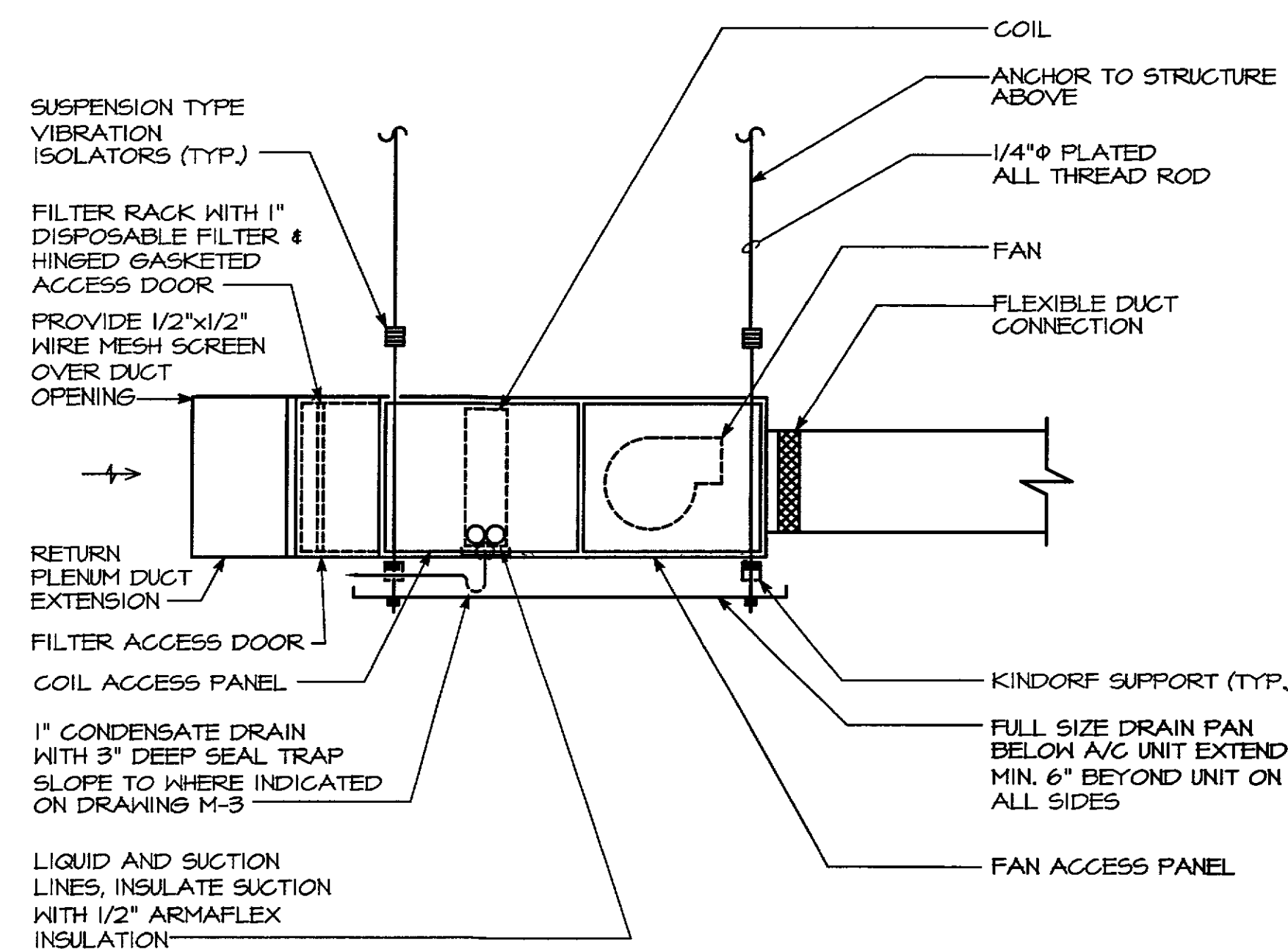


**PIPE SUPPORT DETAIL**  
NO SCALE

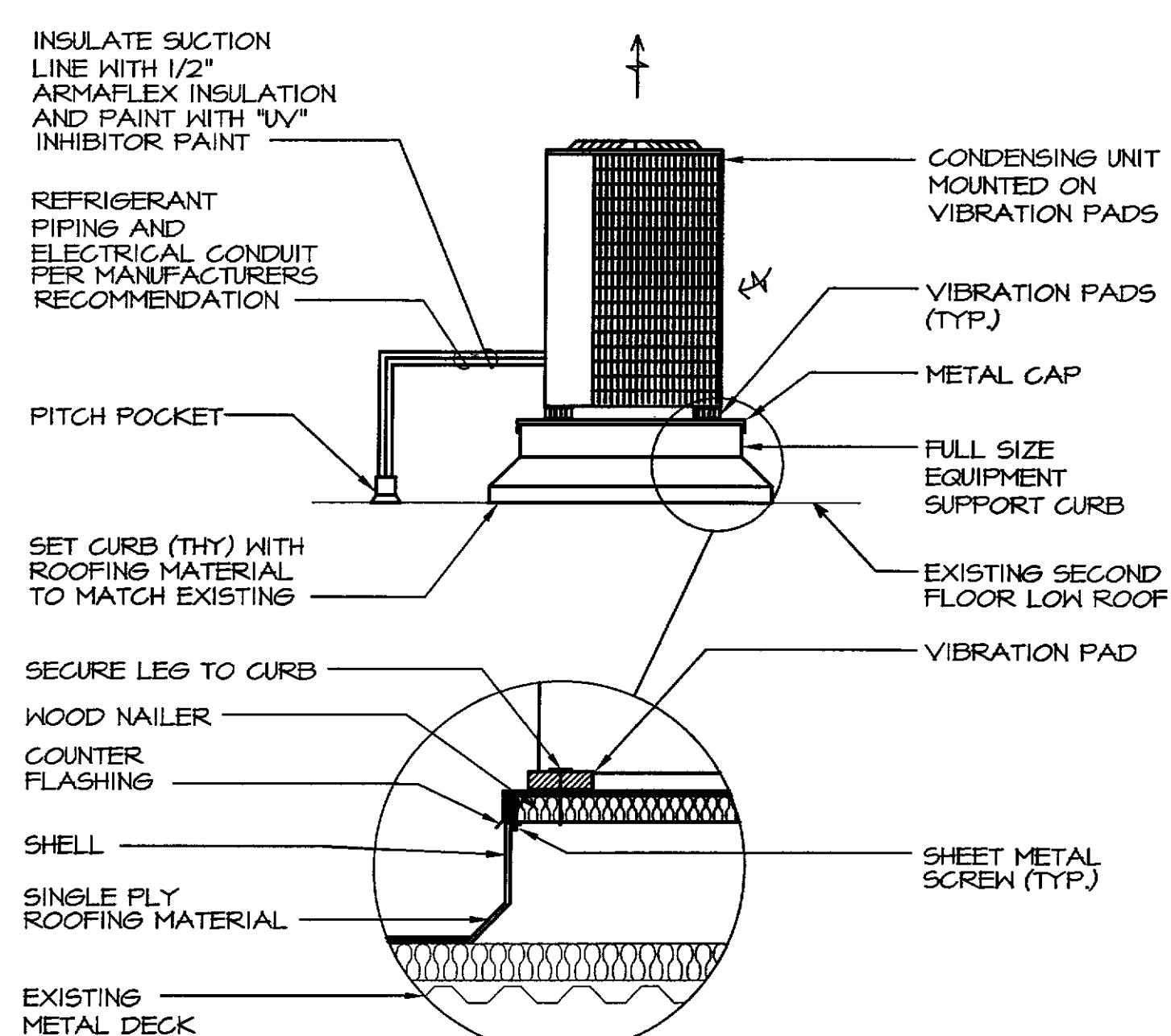
NOTE:  
1) ALL HANGERS FOR COPPER PIPING SHALL BE COPPER COATED.



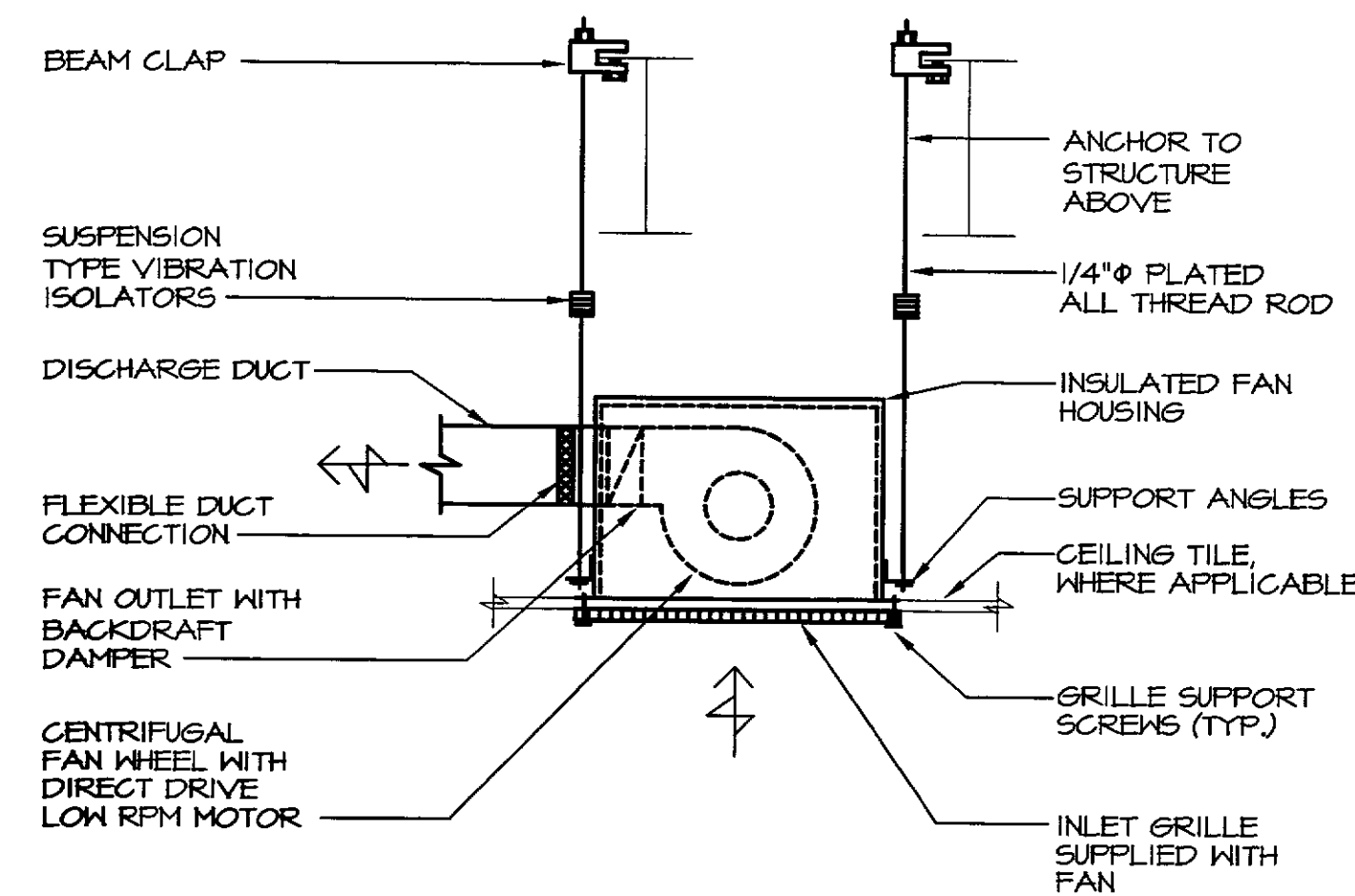
**PITCH POCKET THRU ROOF DETAIL**  
NO SCALE



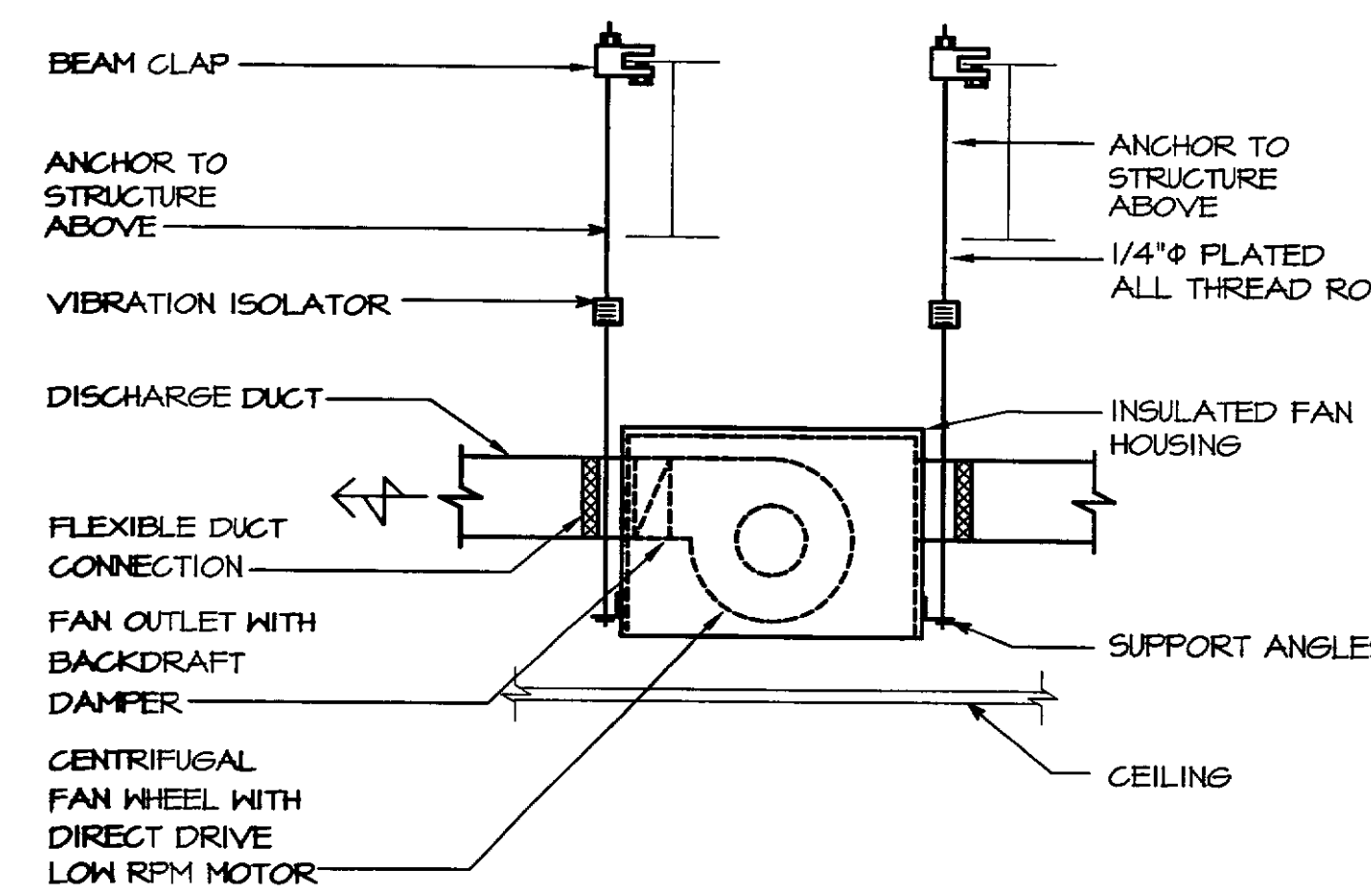
**HORIZONTAL AIR HANDLING UNIT MOUNTING DETAIL**  
NO SCALE



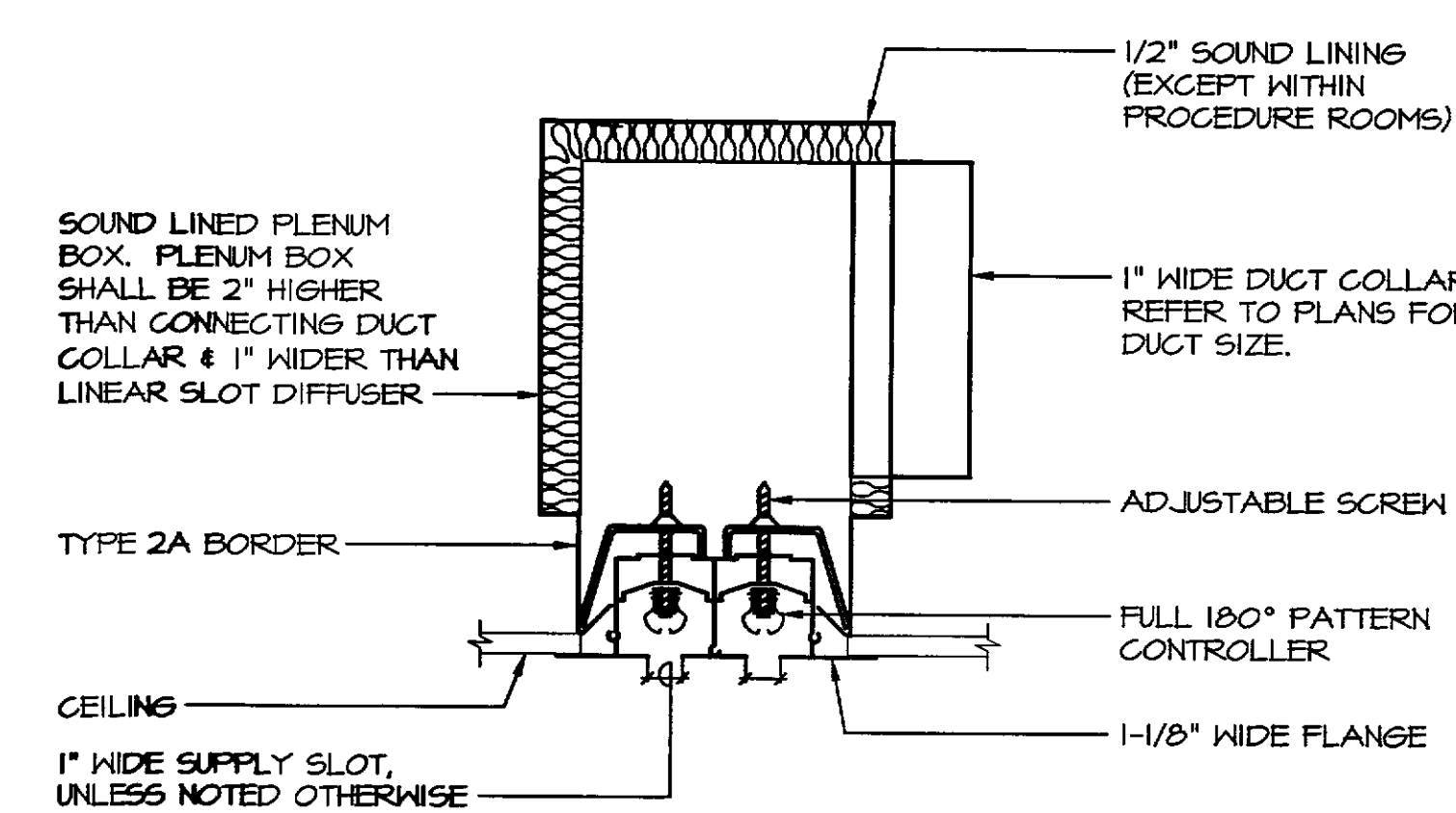
**ROOF MOUNTED CONDENSING UNIT DETAIL**  
NO SCALE



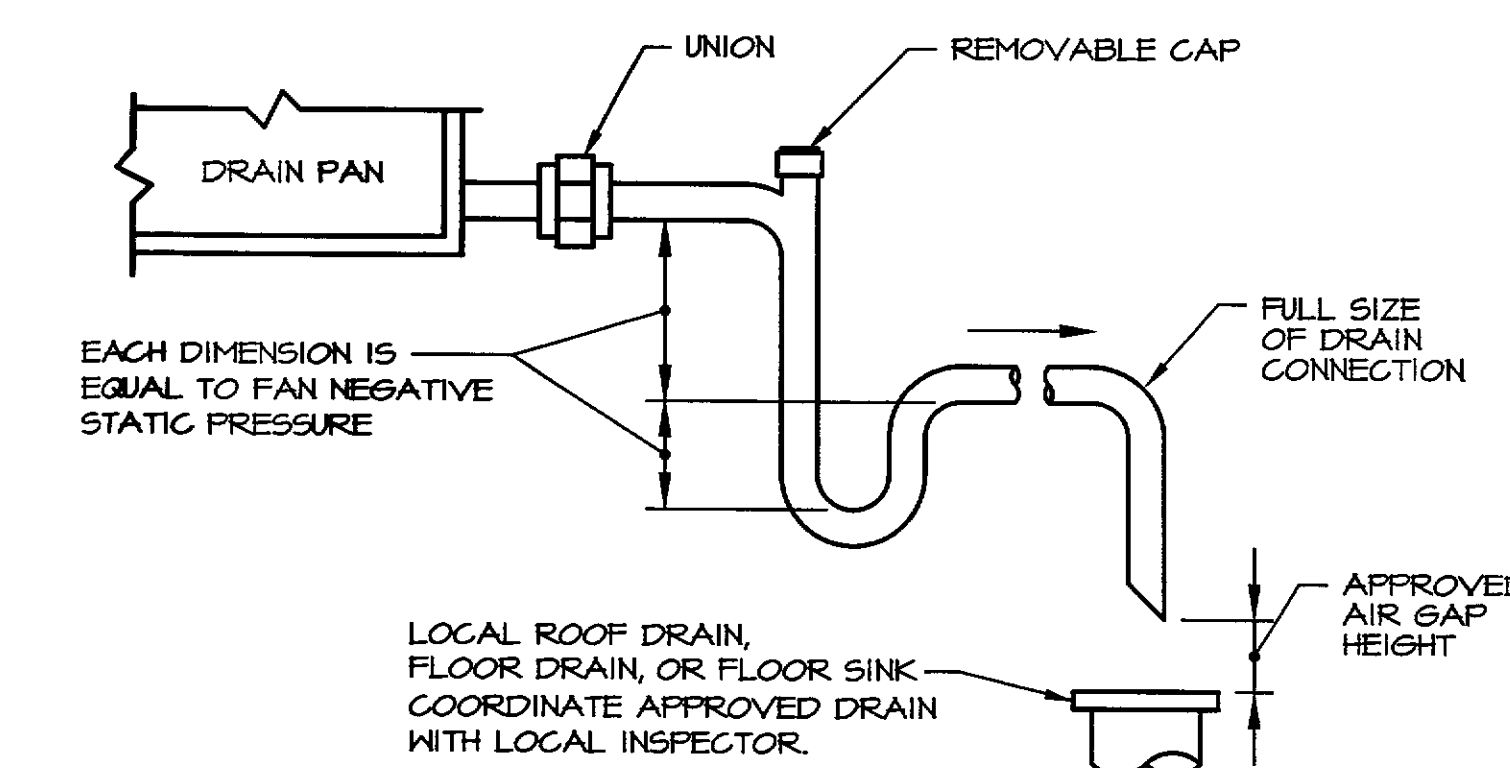
**CEILING MOUNTED EXHAUST FAN DETAIL**  
NO SCALE



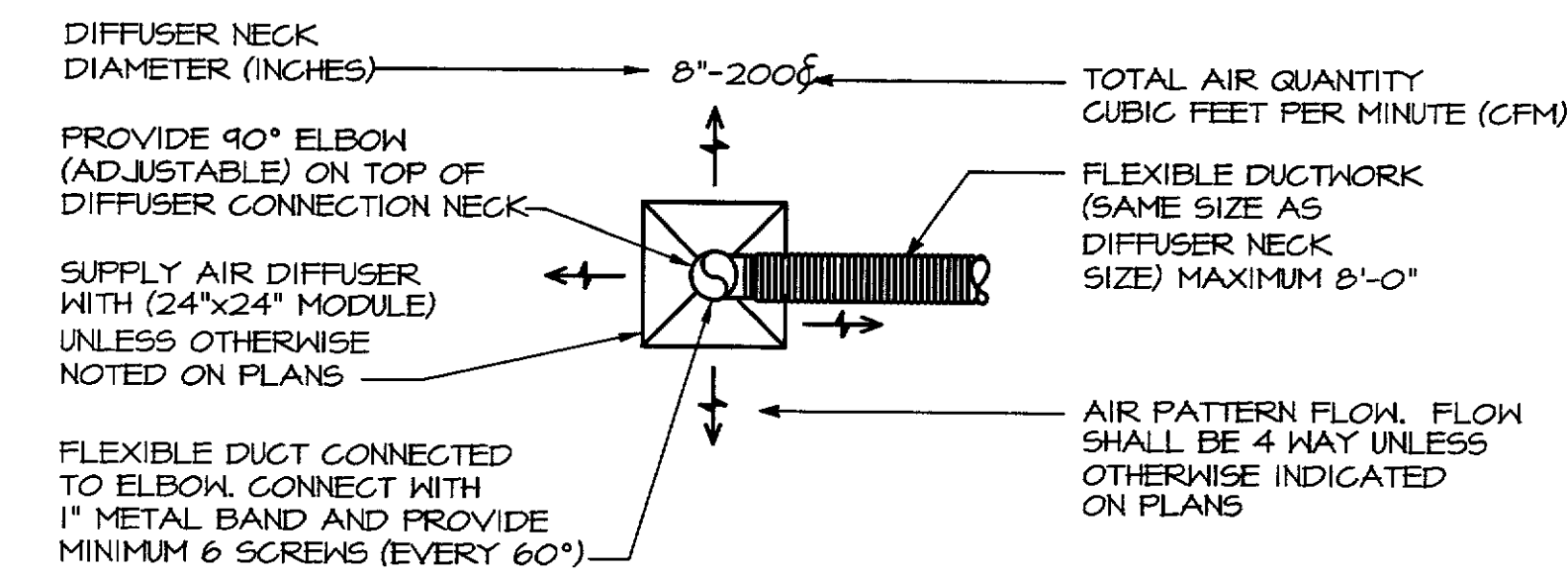
**IN-LINE CEILING MOUNTED EXHAUST FAN DETAIL**  
NO SCALE



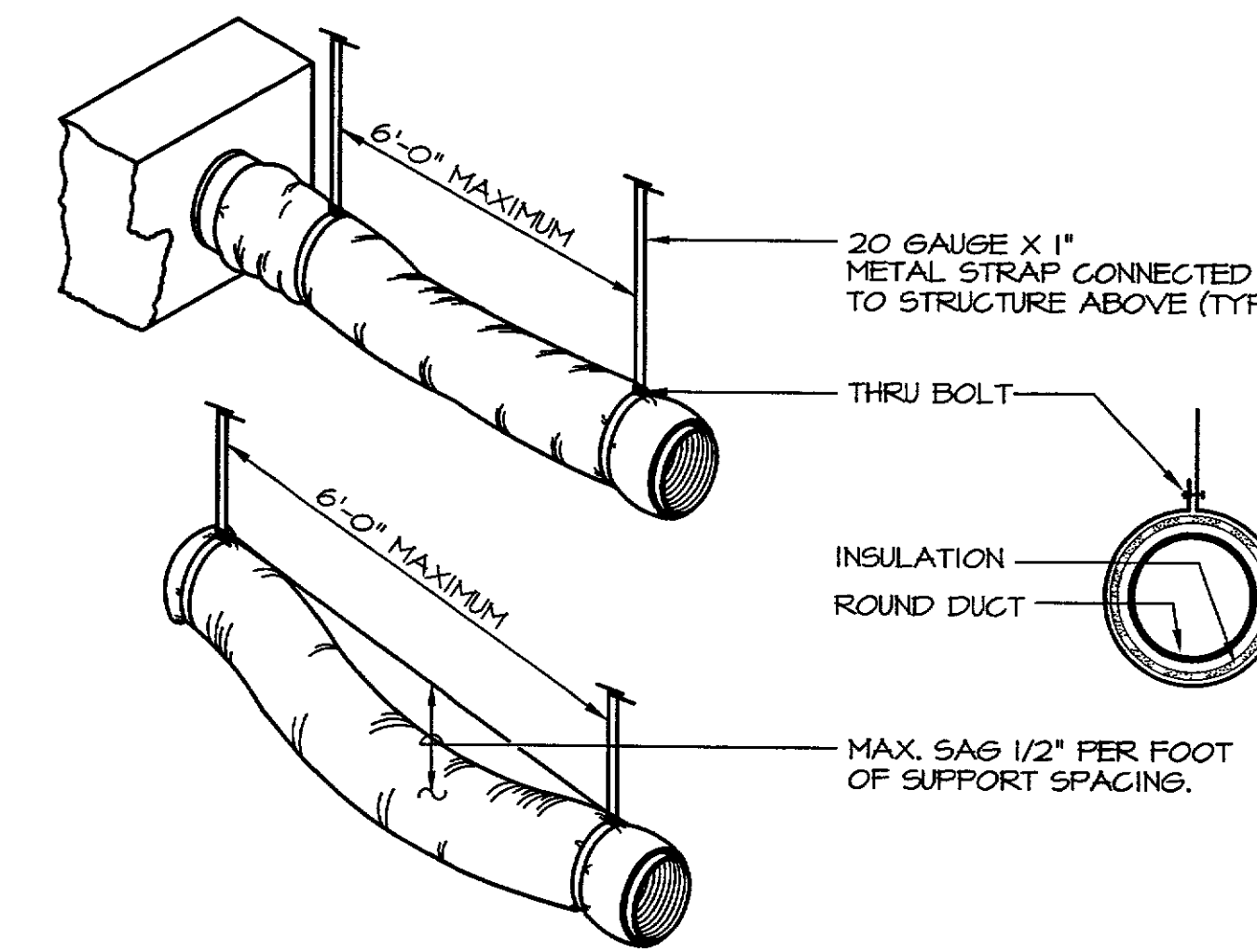
**LINEAR SLOT DIFFUSER DETAIL**  
NO SCALE



**CONDENSATE DRAIN DETAIL**  
NO SCALE

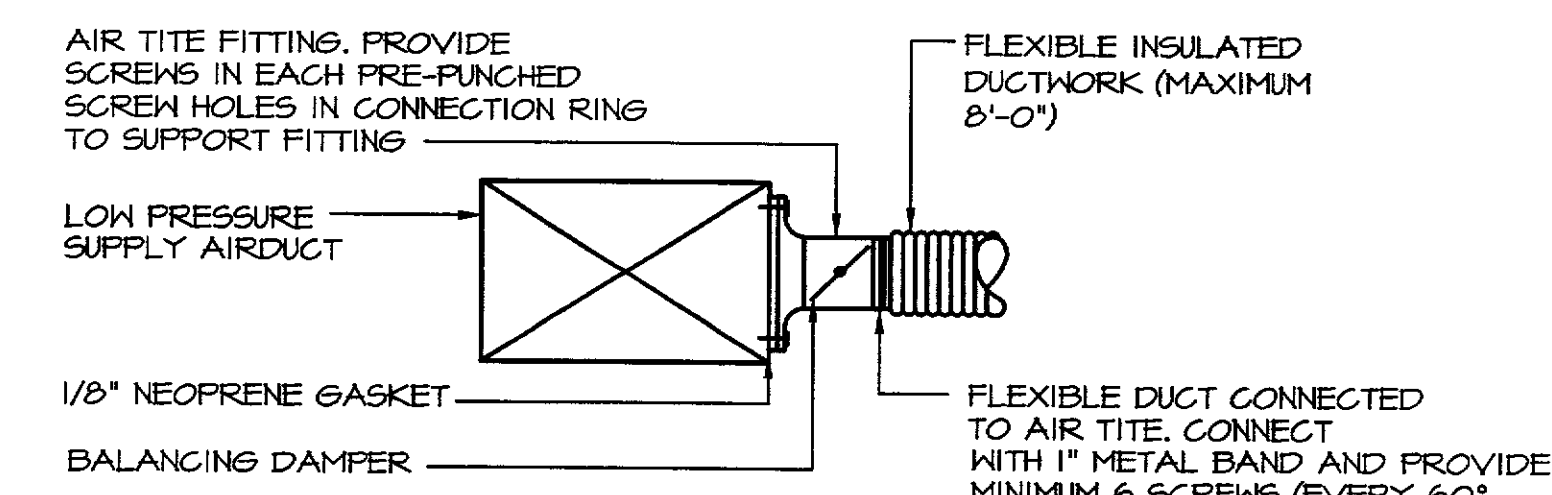


**SUPPLY AIR DIFFUSER KEY**  
NO SCALE



**FLEXIBLE DUCT RUN-OUT SUPPORT DETAIL**  
NO SCALE

NOTES:  
1) FLEXIBLE DUCT SHOULD EXTEND STRAIGHT FOR SEVERAL INCHES FROM RECTANGULAR DUCT CONNECTION BEFORE BENDING.  
2) FLEXIBLE DUCT SHOULD NOT EXCEED 8'-0" IN LENGTH, USE RIGID ROUND DUCTWORK WHEN RUNOUTS EXCEED 8'-0".



**AIR TITE FITTING DETAIL**  
NO SCALE

**AIR TITE SIZE CHART**

DUCTSIZE	CONNECTION RING	DUCTSIZE	CONNECTION RING
5"	8"	9"	12"
6"	9"	10"	13"
7"	10"	11"	15"
8"	11"	12"	17"

NOTE:  
1) WHERE CONNECTION RING SIZE IS LARGER THAN SUPPLY DUCT, THEN CONNECTION RING SHALL BE CRIMPED OVER DUCT AND CONNECTED, SCREENED & SEALED ON TOP AND BOTTOM OF SUPPLY DUCT.

**DON PENN CONSULTING ENGINEERS**  
3850 HIGHWAY 380, SUITE 101  
GRAPEVINE, TEXAS 75051  
817-410-2868 FAX 817-261-8411

**InSync ARCHITECTURAL DESIGNS, INC.**  
3837 JARRETSVILLE PIKE  
JARRETSVILLE, MARYLAND  
PHONE 410-557-9300  
FAX 410-557-2583  
21084

RENOVATIONS TO:  
**RMS LIFELINE**  
DETROIT

**DETAILS**

REV#	DATE	REVISIONS DESCRIPTION	DRAWING NO.
			<b>M4</b>
			4 of 5
			DATE 1/4/01
			DRAWN BY DLI
			CHECKED BY GVR
			1-100C