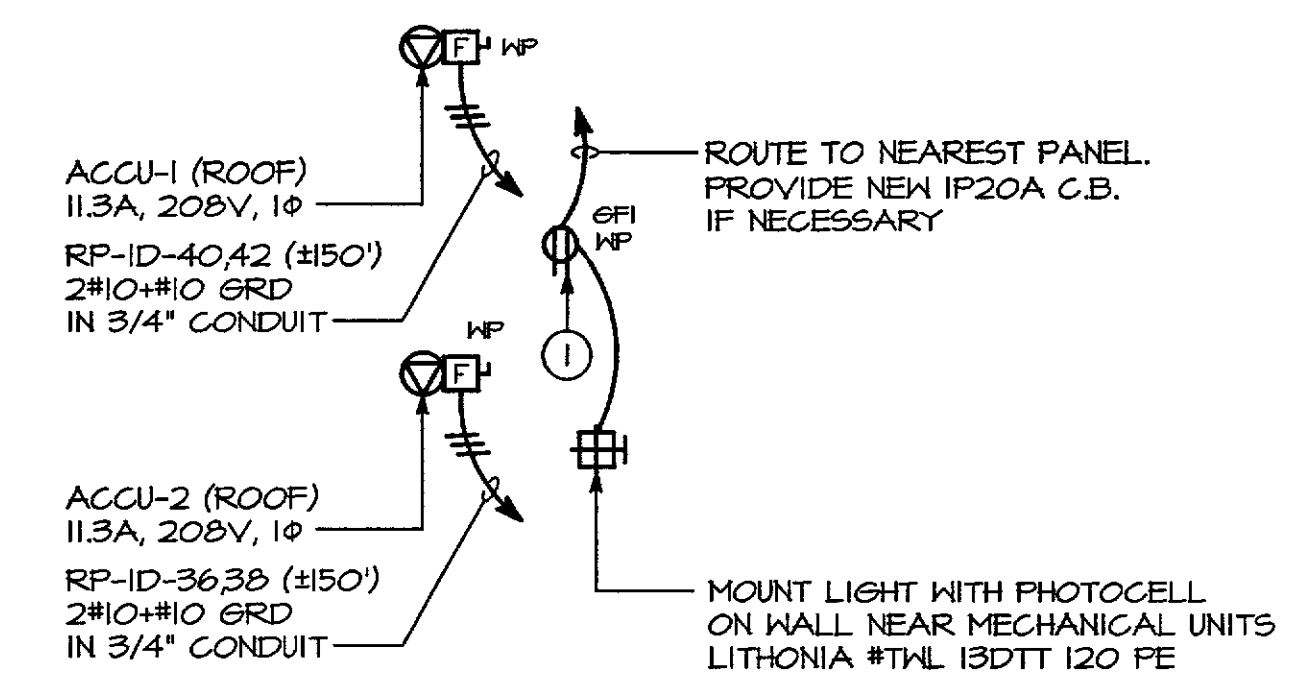
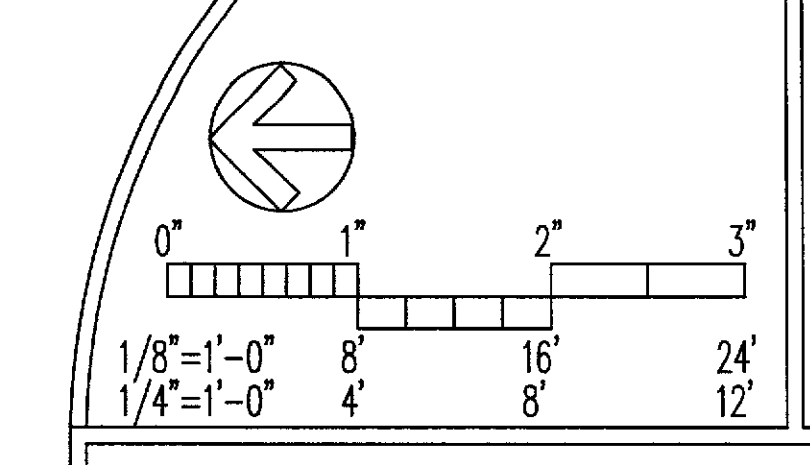


**FLOOR PLAN - POWER**  
SCALE: 1/4"=1'-0"



**DRAWING NOTES**

- ① MOUNT ON ROOF NEAR MECHANICAL UNIT FOR MAINTENANCE
- ② RELOCATE EXISTING PANELS TO THIS LOCATION, EXTEND ANY CIRCUITS THAT REMAIN TO THIS LOCATION AND MAKE CONNECTION TO PANELS
- ③ PROVIDE "HOSPITAL" GRADE RECEPTACLES IN ALL "PATIENT CARE" AREAS PER NEC 517
- ④ PROVIDE 1" EMPTY CONDUIT FROM TV SHELF DOWN TO BASE CABINET BELOW FOR VCR CABLING. COORDINATE MOUNTING HEIGHTS WITH ARCHITECTURAL ELEVATIONS.
- ⑤ PROVIDE A FLUSH MOUNTED JUNCTION BOX WITH 3/4" CONDUIT TO CEILING PLENUM SPACE FOR LOW VOLTAGE OXYGEN EQUIPMENT WIRING. VERIFY LOCATION.
- ⑥ EXPEDITOR NURSE CALL SYSTEM DEVICE LOCATION. CONTRACTOR SHALL FURNISH AND INSTALL COMPLETE NURSE CALL SYSTEM. PROVIDE CONDUIT FROM EACH OUTLET LOCATION TO CEILING SPACE ABOVE. COORDINATE ALL WORK WITH OWNER'S VENDOR, EXPEDITOR SYSTEMS (1-800-845-1699). REFER TO SCHEDULE ON SHEET E4. COORDINATE ALL LOCATIONS WITH OWNER.
- ⑦ MOUNT "IN USE" SIGN OVER DOOR AND INTERLOCK WITH DOOR CONTACT SWITCH SO THAT SIGN ENERGIZES WHEN DOOR IS CLOSED. DOOR SWITCH TO BE EDWARDS #503A.
- ⑧ MOUNT RECEPTACLE BELOW SINK TO SERVE INFA-RED AUTOMATIC FAUCET.
- ⑨ CONTROL WIRING AND DEVICES FURNISHED AND INSTALLED BY AUTOMATIC TEMPERATURE CONTROL (ATC) CONTRACTOR
- ⑩ 4"x8"x3/4" FIRE RETARDANT PLYWOOD BACKBOARD FOR COMPUTER EQUIPMENT, NURSE CALL SYSTEM AND TELEPHONE SERVICE
- ⑪ PROVIDE NEW FIRE ALARM DEVICES THAT MATCH EXISTING DEVICES AND ARE COMPATIBLE WITH THE EXISTING FIRE ALARM SYSTEM. EXTEND AND CONNECT TO EXISTING FIRE ALARM SYSTEM PER MANUFACTURERS RECOMMENDATIONS. MAKE ALL MODIFICATIONS AND ADDITIONS AS NECESSARY TO THE EXISTING FIRE ALARM SYSTEM THAT PROVIDE A WORKING SYSTEM THAT MEETS ALL NFPA REQUIREMENTS.
- ⑫ MOUNT BELOW COUNTER IN KNEE SPACE. COORDINATE WITH MILLWORK
- ⑬ STERILIZER - COORDINATE LOCATION AND TYPE OF RECEPTACLE WITH OWNER
- ⑭ HOSPITAL GRADE DUPLEX RECEPTACLE MOUNTED IN WEATHERPROOF BOX 4" ABOVE FINISHED FLOOR. COORDINATE FINAL LOCATION WITH OWNER



**FLOOR PLAN - POWER**

REV#	DATE	REVISIONS	DESCRIPTION

DRAWING NO. **ER**  
SHEET 2 OF 5  
DATE: 1/14/01  
DRAWN BY: HLB  
CHECKED BY: TEF  
NO. 1-100C

**DON PENN CONSULTING ENGINEERS**  
3837 JARRETSVILLE PINE  
JARRETSVILLE, TEXAS 75781  
PHONE 817-251-5411  
FAX 817-251-5411

**InSync ARCHITECTURAL DESIGNS, INC.**  
3837 JARRETSVILLE PINE  
JARRETSVILLE, MARYLAND  
PHONE 410-557-9300  
FAX 410-557-2583

RENOVATIONS TO:  
**RMS LIFELINE**  
DETROIT

21084