



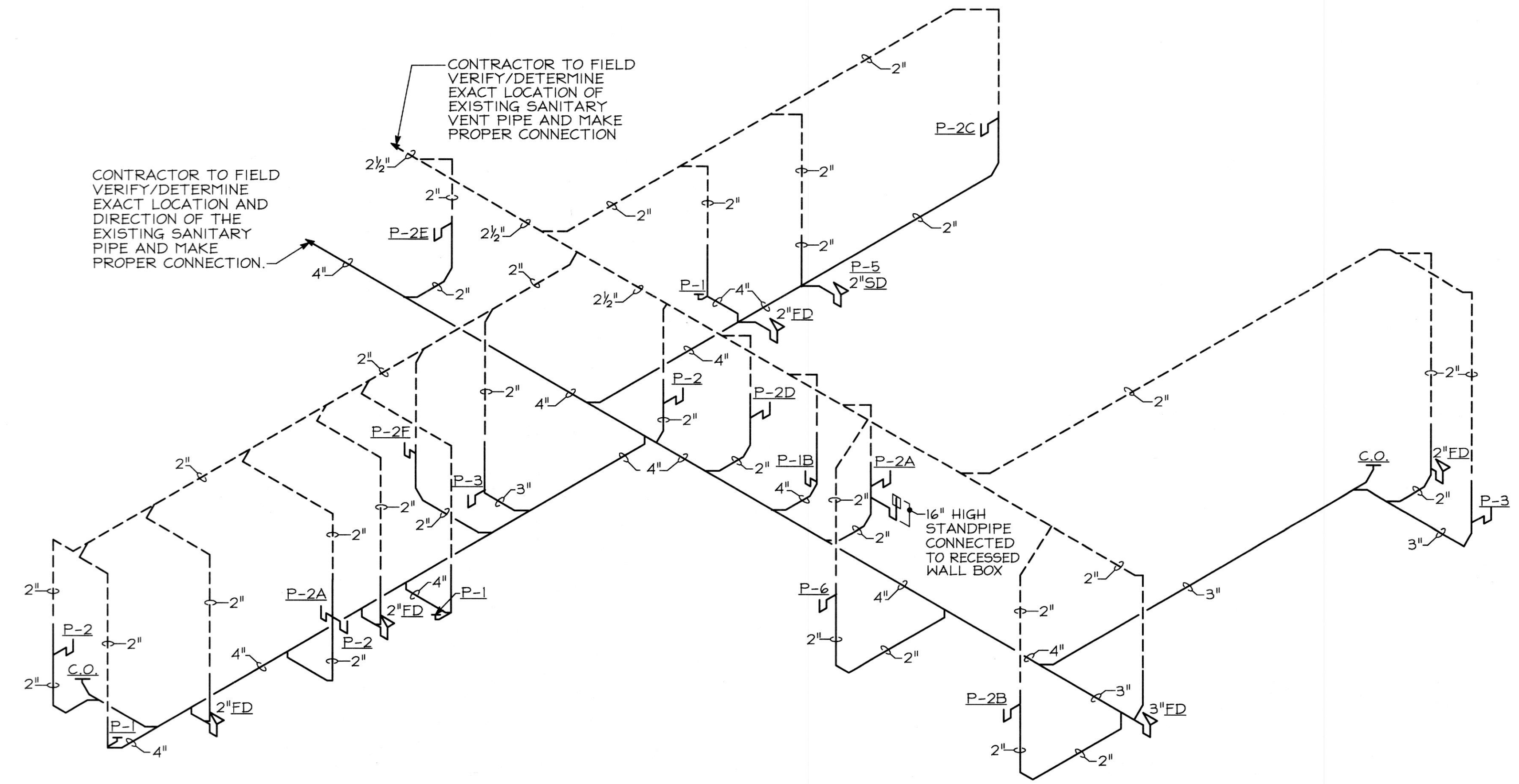
711 N. FIELDER RD.
 ARLINGTON, TX 76012
 PH: (817) 635-5696
 FAX: (817) 635-5699

635 Westport
 Suite 200
 Grapevine, Texas
 76051
 Phone: 817-285-8411
 Fax: 817-285-8411

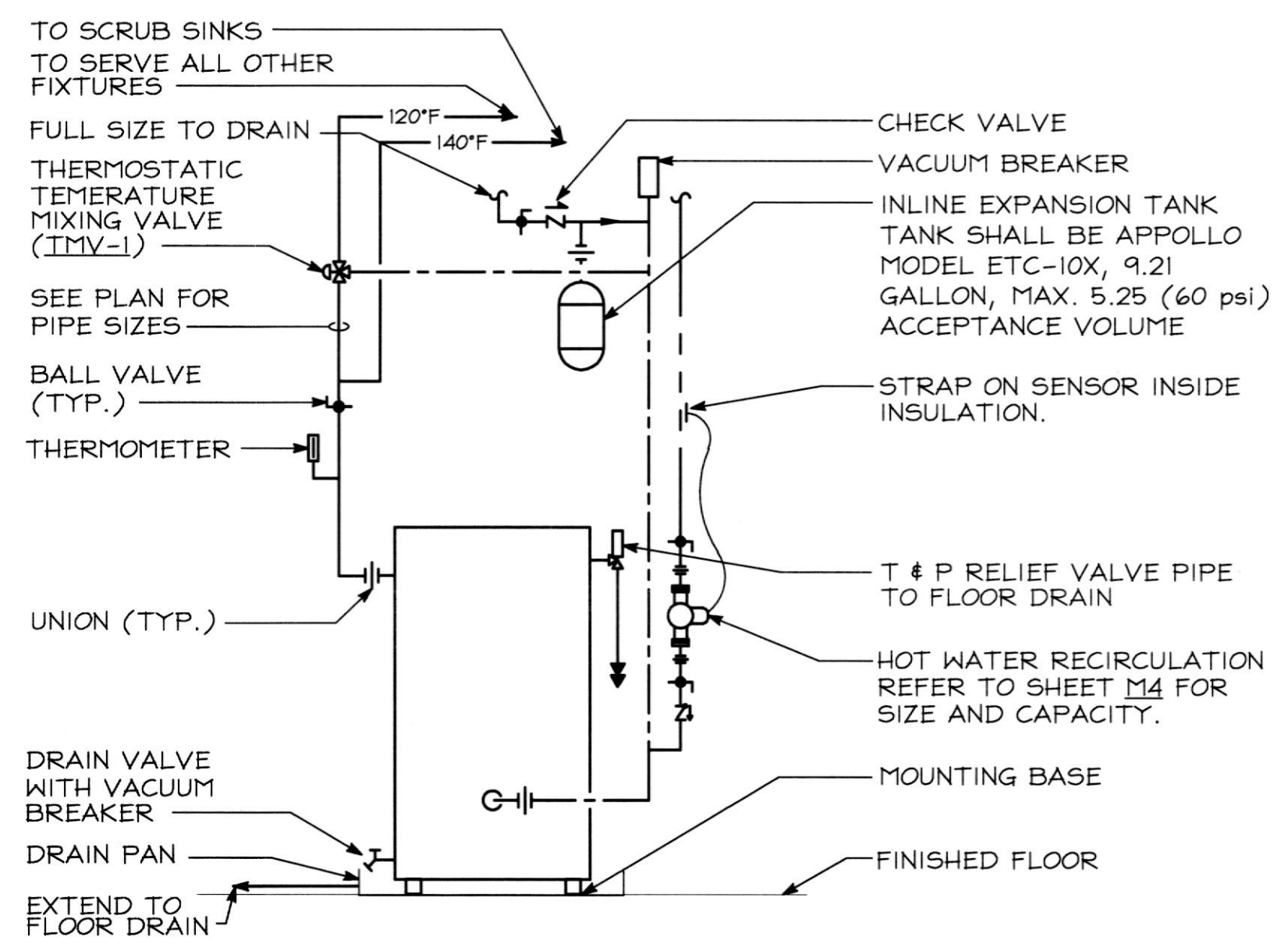
d p c e
 don penn consulting engineer

Lifeline Project Manager
 in s y n c
 1213 Old Pylesville Road
 Whiteford, MD 21160
 Office 410-452-8006 Fax 410-452-8046

ACCESS CENTER
 LIFELINE
 11771 Maumelle Blvd
 North Little Rock, AR 72113

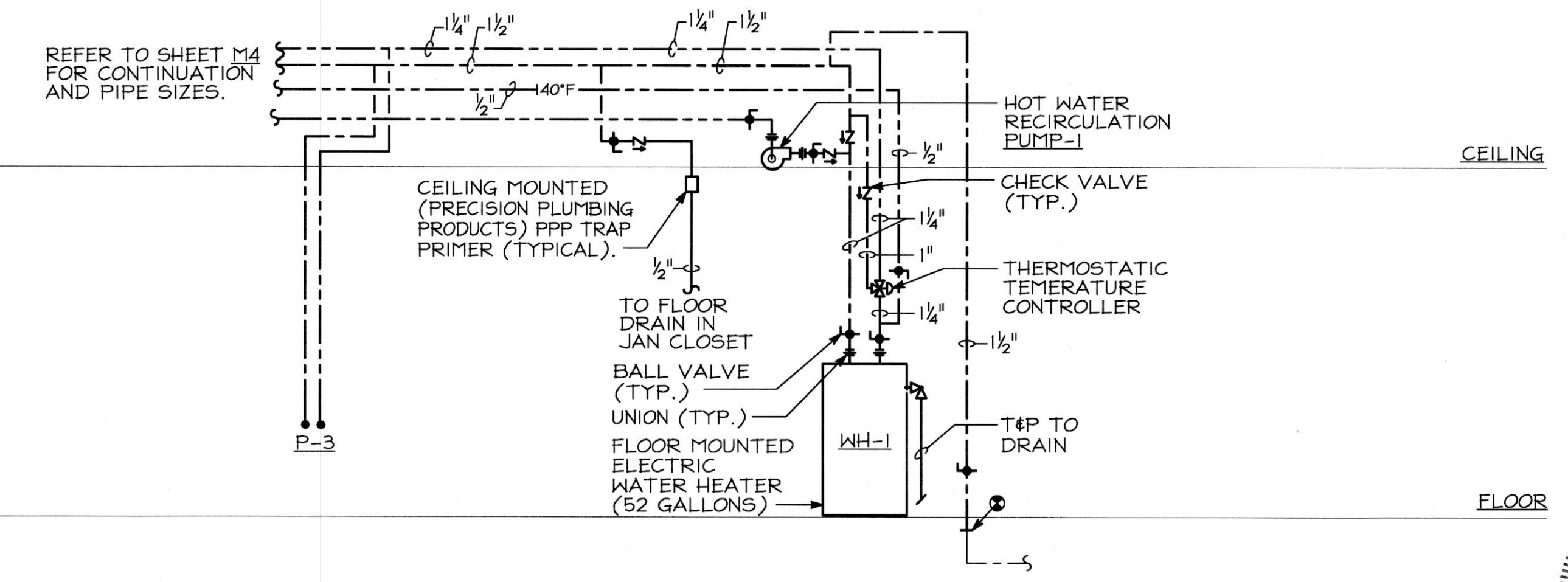


SANITARY RISER DIAGRAM
 NO SCALE (SLOPE AT 1/4" PER FOOT)



ELECTRIC WATER HEATER PIPING SCHEMATIC
 NO SCALE

- NOTES:
- HOT WATER RECIRCULATION PUMP TO BE CONTROLLED BY AQUASTAT.
 - CONTRACTOR TO INSTALL AND SET THERMAL MIXING VALVE AT WATER HEATER PER COUNTY/CITY ANTI-SCALED REQUIREMENTS.
 - PRIOR TO INSTALL OF THE WATER HEATERS THE PLUMBING CONTRACTOR MUST COORDINATE WITH THE LIFELINE PROJECT MANAGER WHETHER THEY WANT A CONCRETE MOUNTING PAD OR ELECTRIC WATER HEATER MOUNTED DIRECTLY ON THE FLOOR.



DOMESTIC WATER RISER DIAGRAM
 NO SCALE

- NOTES:
- ALL TRAPS FOR FLOOR DRAINS SERVING THE TOILET ROOMS TO BE PRIMED FROM THE NEAREST TOILET.
 - ALL TRAPS FOR FLOOR DRAINS TO BE PRIMED THROUGHOUT THE SPACE. PLUMBING CONTRACTOR TO BE SURE ALL TRAPS FOR EACH FLOOR DRAIN TO BE PRIMED. IF NOT SHOWN THEN PROVIDE/INSTALL A PPP TRAP PRIMER AS REQUIRED (MED VAC., MED. TRASH, JAN.CLOSET, ETC). ALSO INSTALL/PROVIDE PPP TRAP PRIMER FOR RECESSED WALL BOX TRAP.
 - ALL SINKS REQUIRED TO HAVE INSTALLED A POINT OF USE OF USE THERMOSTATIC MIXING VALVE, EXCEPT THE SCRUB SINK. REFER TO SHEET M6, BELOW PLUMBING FIXTURE SCHEDULE FOR MORE INFORMATION.

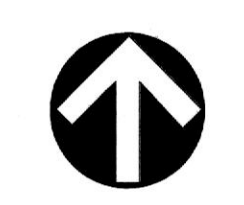


REVISIONS

A	ISSUE DATE

RISER DIAGRAMS

SHEET NUMBER



M6