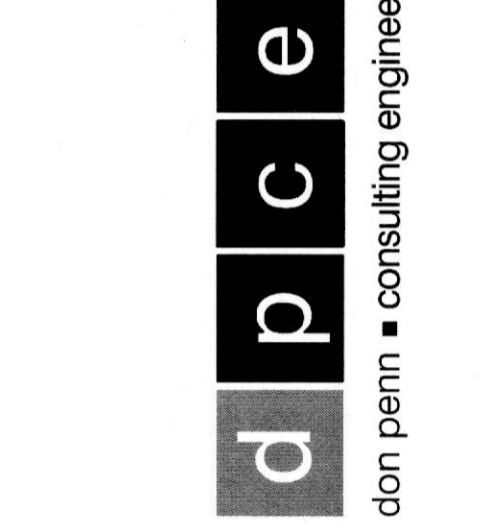




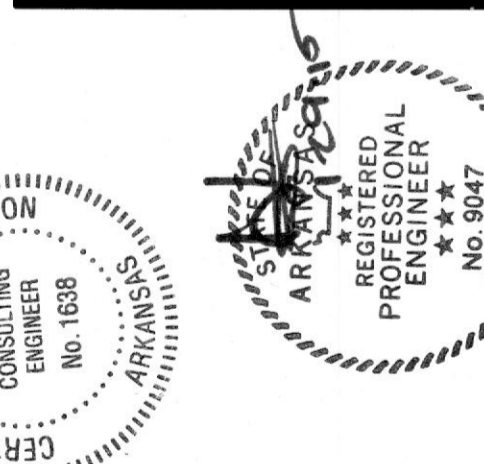
711 N. FIELDER RD.
ARLINGTON, TX 76012
PH: (817) 635-5696
FAX: (817) 635-5699

855 Westport Parkway
Suite 300
Grapevine, Texas 76051
Phone: 972-258-2668
Fax: 972-251-6411



LifeLine Project Manager
in sync
1218 Old Pylesville Road, Whiteford, MD 21160
Office 410-462-8006 Fax 410-462-8046

ACCESS CENTER
LIFELINE
11771 Maumelle Blvd
North Little Rock, AR 72113



REVISIONS

'A'	ISSUE DATE
'B'	ISSUE DATE
'C'	ISSUE DATE
'D'	ISSUE DATE
'E'	ISSUE DATE
'F'	ISSUE DATE

SYMBOLS LIST, NOTES, SCHEDULES AND SPECIFICATIONS

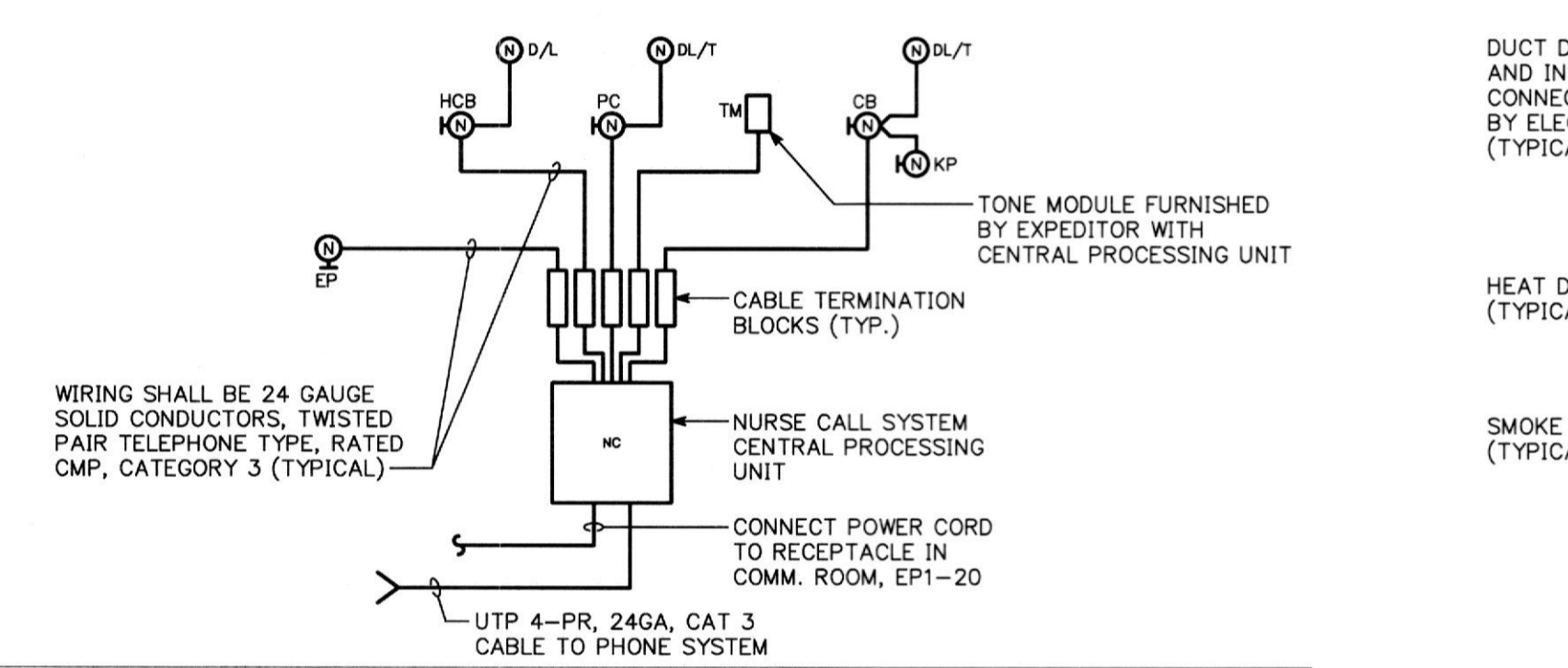
SHEET NUMBER

E1

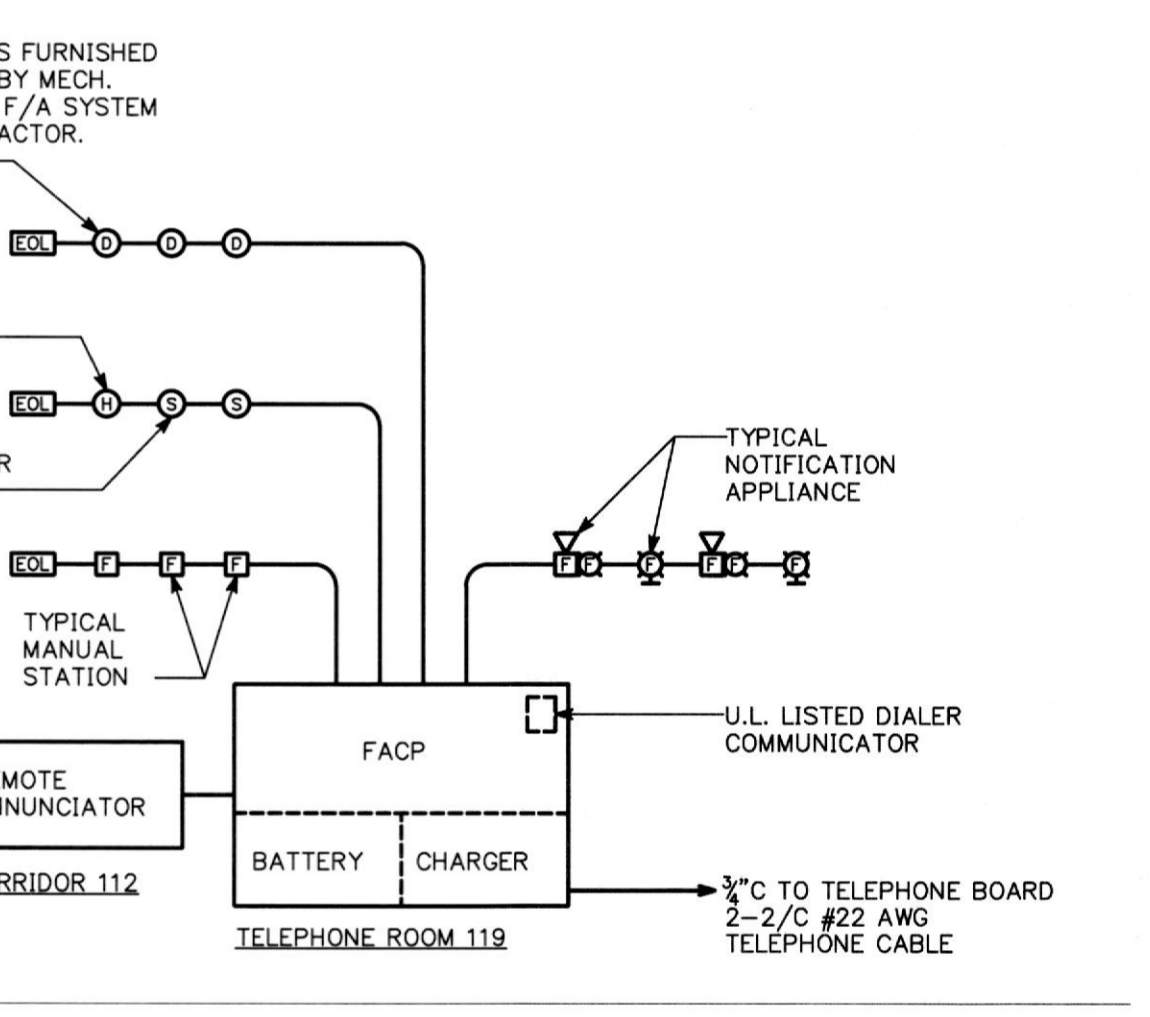
TYPE	LOCATION	DESCRIPTION	CATALOG #
EXPEDITOR	PATIENT PREP / PATIENT RECOVERY SINGLE GANG BACK BOX 48" AFF	HAND HELD CALL BUTTON WITH RESET BUTTON AT WALL SEPARATE EMERGENCY CALL ACTIVATED BY REMOVAL OF PENDANT CHORD FROM WALL PANEL (PREFERRED), OR SEPARATE WALL BUTTON. PROVIDE CEILING MOUNTED INDICATION LIGHT IMMEDIATELY OUTSIDE CUBICLE CURTAIN TRACK AT EACH RECOVERY / PREP POSITION.	EXPEDITOR NCGB SERIES
EXPEDITOR	PATIENT TOILET / PATIENT DRESSING TWO GANG BACK BOX 48" AFF	WALL MOUNTED CALL SWITCH ACTIVATED BY PULL ON CORD. PULL MUST NOT BE CANCELLED BY SECOND OR REPEATED PULL ON CHORD. PROVIDE RESET BUTTON ABOVE CHORD ATTACHMENT, OR SIMILAR SEPARATE RESET PROVISION. PROVIDE WALL MOUNTED INDICATION LIGHT / TONE DEVICE ABOVE DOOR. LOCATE TO MAXIMIZE STAFF VISIBILITY / NOTIFICATION.	EXPEDITOR NCPG SERIES
EXPEDITOR	PROCEDURE ROOM SINGLE GANG BACK BOX 48" AFF	EMERGENCY CALL ("CODE BLUE"), WALL MOUNTED CALL BUTTON WITH HINGED "ELBOW PLATE" TO FACILITATE EMERGENCY ACTIVATION. PUSH ONCE TO INITIATE CALL, PUSH SECOND TIME TO CANCEL (ALL OFF). PROVIDE WALL MOUNTED INDICATION LIGHT / TONE DEVICE ABOVE DOOR IDENTIFYING TYPE OF CALL. LOCATED TO MAXIMIZE STAFF VISIBILITY / NOTIFICATION.	EXPEDITOR P-1C SERIES
EXPEDITOR	NURSE WORK / SITE MANAGER / NURSE CONSULTANT / STAFF LOUNGE BACK BOX FURNISHED BY EXPEDITOR INSTALLED BY ELEC. CONTRACTOR 48" AFF	ZONE ANNUNCIATOR PANEL WITH TONE; SHOWS WHICH ROOMS ARE OCCUPIED, STAFF LOCATION, WHICH PATIENTS ARE NEXT, WHERE ASSISTANCE IS NEEDED OR WHERE A SPECIAL PROCEDURE IS REQUIRED.	EXPEDITOR P-6C SERIES
EXPEDITOR	BUSINESS BACK BOX FURNISHED BY EXPEDITOR INSTALLED BY ELEC. CONTRACTOR 48" AFF	ZONE ANNUNCIATOR PANEL WITH TONE; SHOWS WHICH ROOMS ARE OCCUPIED, STAFF LOCATION, WHICH PATIENTS ARE NEXT, WHERE ASSISTANCE IS NEEDED OR WHERE A SPECIAL PROCEDURE IS REQUIRED.	EXPEDITOR P-6C SERIES
EXPEDITOR	PROCEDURE ROOM TWO GANG BACK BOX 12" AFF BELOW 'CB' DEVICE	KICK PLATE	EXPEDITOR KP-1 SERIES
EXPEDITOR	PATIENT PREP / PATIENT RECOVERY SINGLE GANG BOX IN CEILING	CEILING MOUNTED DOME LIGHT LOCATED IMMEDIATELY OUTSIDE OF CUBICLE CURTAIN. ACTIVATED BY REMOVAL OF PULL CHORD.	EXPEDITOR DOME
EXPEDITOR	PATIENT TOILET / PATIENT DRESSING / PROCEDURE ROOM SINGLE GANG BOX ABOVE DOOR	DOME LIGHT WITH TONE LOCATED ABOVE DOOR. ACTIVATED BY PULL CHORD OR CALL BUTTON.	EXPEDITOR DOME
EXPEDITOR	COMPUTER ROOM	CENTRAL PROCESSING UNIT (CPU); CONTROLS ALL LIGHT PANEL FUNCTIONS. REQUIRES (1) SINGLE LINE (RJ-11C) TELEPHONE JACK AND (1) DEDICATED POWER OUTLET.	EXPEDITOR

VOLTAGE DROP SCHEDULE 20 AMPERE CIRCUITS				
120 VOLT		277 VOLT		MINIMUM CONDUIT SIZE
WIRE LENGTH	WIRE SIZE	WIRE LENGTH	WIRE SIZE	
0'-60'	#12	0'-130'	#12	3/4"
60'-100'	#10	130'-210'	#10	3/4"
100'-150'	#8	210'-340'	#8	3/4"
150'-240'	#6	340'-540'	#6	3/4"
OVER 240'	#4	OVER 540'	#4	1"

- NOTES:
- CIRCUIT LENGTH AS GIVEN SHALL BE THE WIRE LENGTH BETWEEN THE FIRST AND LAST OUTLET ON THE CIRCUIT. HOMERUN LENGTH GIVEN SHALL BE THE WIRE LENGTH BETWEEN THE FIRST OUTLET AND THE PANELBOARD.
 - THE CONTRACTOR SHALL BE RESPONSIBLE FOR DETERMINING THE EXACT ROUTING OF WIRING AND CONDUITS AND SHALL BE RESPONSIBLE FOR SIZING ALL BRANCH CIRCUIT WIRING TO LIMIT VOLTAGE DROP TO 3%. CONTRACTOR SHALL SIZE CONDUIT TO ACCOMMODATE WIRING PER NEC. 20 AMPERE CIRCUITS SHALL BE SIZED AS SHOWN IN SCHEDULE ABOVE.
 - WIRING AND CONDUIT SIZES INDICATED IN PANEL SCHEDULES ARE MINIMUM ONLY. CONTRACTOR SHALL BE RESPONSIBLE FOR DETERMINING EXACT WIRING AND CONDUIT SIZES. CONTRACTOR SHALL PROVIDE SPLICE BLOCKS AND REDUCING PINS AS REQUIRED TO TERMINATE WIRING AND MAKE FINAL CONNECTIONS.
 - BRANCH CIRCUITS IN PANELBOARDS WITH 200% RATED NEUTRAL BUS AND ALL DIMMER BRANCH CIRCUITS SHALL HAVE DEDICATED NEUTRAL CONDUCTORS.



NURSE CALL SYSTEM SCHEMATIC
NO SCALE



FIRE ALARM RISER DIAGRAM
NO SCALE

- SYSTEM OPERATION**
- UPON ACTIVATION OF ANY PULL STATION, AUTOMATIC DETECTION DEVICE OR SPRINKLER FLOW SWITCH (IF APPLICABLE) THE SYSTEM SHALL:
 - ANNUNCIATE THE ALARMED DEVICE TYPE AND ZONE LOCATION AT THE FIRE ALARM CONTROL PANEL.
 - ACTIVATE THE AUDIBLE ALARM EVACUATION SIGNAL THROUGHOUT THE PROPERTY AND.
 - ACTIVATE THE VISUAL ALARM INDICATING APPLIANCES THROUGHOUT THE PROPERTY.
 - UPON DETECTION OF PRODUCTS OF COMBUSTION, EACH DUCT SMOKE DETECTOR SHALL SHUT DOWN ALL AIR HANDLING UNITS.
 - ACTIVATION OF A SUPERVISORY CIRCUIT SHALL ANNUNCIATE A TROUBLE CONDITION AT THE CONTROL PANEL.
 - FIRE ALARM SYSTEM WILL BE MONITORED BY A U.L LISTED CENTRAL RECEIVING STATION.
- FIRE ALARM NOTES**
- SYSTEM SHALL BE CLASS "B" OR AS REQUIRED BY LOCAL AUTHORITIES.
- F.A.C.P. - GAMEWELL, FIRE LITE, OR APPROVED EQUAL.
 - SPACE FOR 24 ZONES WITH FUTURE SPACE FOR 8 ZONES.
 - NFPA 71, 72 A,B,C,D POWER LIMITED APPLICATIONS FOR NEC 780 AND FED. REGISTER VOL. -36 3144 JULY 28, 1991
 - C.F.M APPROVED AND U.L. LISTED.
 - CHARGER AND BATTERY PACK FOR MIN. 60 HOURS STND-BY SERVICE ON EMERGENCY POWER
- SYSTEM SHALL BE AS ACCEPTED BY NATIONAL AND LOCAL CODES AND AUTHORITIES AND SHALL COMPLY WITH ADA REQUIREMENTS.
 - SYSTEM SHALL HAVE AN ALARM VERIFICATION MODE TO WAIT 60 SECONDS BEFORE RE-TESTING FOR ALARM.
 - SYSTEM SHALL BE INSTALLED PER NFPA 72.
 - PROVIDE ALLOWANCE FOR SMOKE DETECTORS MOUNTED ABOVE AND BELOW THE CEILING SHOULD THEY BE REQUIRED BY THE AUTHORITY HAVING JURISDICTION AND THE STATE FIRE MARSHAL.
 - FIRE ALARM SYSTEM TO BE COMPATIBLE WITH ANY REQUISITE BASE BUILDING SYSTEMS ALREADY INSTALLED.

ELECTRICAL SYMBOLS LIST

SYMBOL	DESCRIPTION
[Symbol]	FIXTURE-FLUORESCENT-CEILING, WALL, STRIP
[Symbol]	FIXTURE-INCANDESCENT-CEILING, WALL BRACKET
[Symbol]	FIXTURE - HID - WALL BRACKET
[Symbol]	FIXTURE-INCANDESCENT-FLOODLIGHT/EMERGENCY LIGHT
[Symbol]	EXIT LIGHT-CEILING, WALL, WITH DIRECTIONAL ARROWS
[Symbol]	EMERGENCY BATTERY UNIT, WALL MOUNTED
[Symbol]	SWITCH-SINGLE POLE, THREEWAY, SUBSCRIPT DENOTES OUTLET CONTROLLED M.H. 4'-0"
[Symbol]	SWITCH-PILOT LIGHT, DIMMER M.H. 4'-0"
[Symbol]	SWITCH-MOTOR RATED
[Symbol]	RECEPTACLE-20A-125 VOLTS-DUPLEX, DOUBLE DUPLEX M.H. 1'-6"
[Symbol]	RECEPTACLE-DUPLEX-COUNTER HEIGHT-20A-125 VOLT
[Symbol]	SPECIAL RECEPTACLE AS NOTED
[Symbol]	JUNCTION BOX
[Symbol]	OUTLET-TELEPHONE - WALL WITH RING AND STRING TO CEILING SPACE M.H. 1'-6" UNLESS OTHERWISE NOTED.
[Symbol]	OUTLET - VOICE/DATA WALL WITH RING AND STRING TO CEILING SPACE M.H. 1'-6"
[Symbol]	TELEPHONE TERMINAL BACKBOARD
[Symbol]	PANELBOARD 277/480 VOLTS
[Symbol]	PANELBOARD 120/208 VOLTS
[Symbol]	DISCONNECT SWITCH-UNFUSED, FUSED
[Symbol]	CONTROL DEVICE BY EQUIPMENT CONTRACTOR
[Symbol]	MOTOR-SINGLE PHASE, THREE PHASE, HORSEPOWER AS NOTED
[Symbol]	HEATING ELEMENT-CAPACITY AS NOTED
[Symbol]	FIRE ALARM-PULL STATION M.H. 4'-0"
[Symbol]	FIRE ALARM - AUDIBLE SIGNAL AND VISUAL FLASHER
[Symbol]	FIRE ALARM-VISUAL FLASHER
[Symbol]	FIRE ALARM-SMOKE DETECTOR
[Symbol]	FIRE ALARM-DUCT SMOKE DETECTOR-RETURN DUCT, SUPPLY DUCT
[Symbol]	SMOKE DAMPER
[Symbol]	FIRE ALARM - DUCT SMOKE DETECTOR
[Symbol]	DRY TYPE TRANSFORMER
[Symbol]	ANNUNCIATOR PANEL OR TERMINAL PANEL-AS NOTED
[Symbol]	GROUND CONNECTION
[Symbol]	BRANCH CIRCUIT-IN CEILING OR WALLS
[Symbol]	BRANCH CIRCUIT-IN OR UNDER FLOOR
[Symbol]	BRANCH CIRCUIT-EXPOSED ON CEILING OR WALLS
[Symbol]	HOMERUN TO PANEL-LETTER AND NO. INDICATES CIRCUIT NUMBER. NO. OF CROSSLINES INDICATES NO. OF CONDUCTORS WHEN MORE THAN 2+G.
[Symbol]	OUTLET - CABLE TELEVISION WALL WITH RING AND STRING TO CEILING SPACE
[Symbol]	TIMELOCK
[Symbol]	INTERCOM STATION

ABBREVIATIONS LIST:

AFF - ABOVE FINISHED FLOOR	MH - MOUNTING HEIGHT
AHU - AIR HANDLING UNIT	MO - MOTOR OPERATED DAMPER
CU - CONDENSING UNIT	MTD - MOUNTED
C, CDT - CONDUIT	RTU - ROOF TOP UNIT
CH - COUNTER HEIGHT	TC - TIME CLOCK
DWG - DRAWING	UH - UNIT HEATER
EF - EXHAUST FAN	VAV - VARIABLE AIR VOLUME
GR - GROUND	W/ - WITH
GFI - GROUND FAULT INTERRUPTER	WP - WEATHERPROOF
HP - HORSEPOWER	WR - WEATHER RESISTANT
MCA - MINIMUM CIRCUIT AMPS	XFR - TRANSFORMER
MCCP - MAXIMUM OVERCURRENT PROTECTIVE DEVICE	XR - EXISTING TO REMAIN
	RX - REMOVE EXISTING

GENERAL ELECTRICAL NOTES:

- ALL WORK SHALL BE IN ACCORDANCE WITH THE 2008 NATIONAL ELECTRICAL CODE AND ALL LOCAL COUNTY CODES AND AMENDMENTS. WIRING METHODS SHALL BE IN ACCORDANCE WITH THE N.E.C., LOCAL CODES AND STANDARDS. THE CONTRACTOR SHALL OBTAIN AND PAY ALL FEES AND PERMITS REQUIRED FOR THE CONSTRUCTION OF THE PROJECT.
- THE ELECTRICAL CONTRACTOR SHALL BE RESPONSIBLE FOR COORDINATING THE INSTALLATION OF THE ELECTRICAL SYSTEM WITH THE LOCAL POWER COMPANY, NEW AND/OR UPGRADED.
- DRAWINGS ARE DIAGRAMMATIC AND INDICATE GENERAL ARRANGEMENT OF SYSTEMS AND WORK. SCALE DIMENSIONS SHALL NOT BE USED. THIS IS AS MUCH AS THE DRAWINGS ARE GENERALLY DIAGRAMMATIC AND DUE TO THE SMALL SCALE OF THE DRAWINGS, IT IS NOT POSSIBLE TO INDICATE ALL OFFSET FITTINGS AND ACCESSORIES. AS MAY BE REQUIRED. THE CONTRACTOR SHALL CAREFULLY INVESTIGATE THE SITE, STRUCTURAL, AND FINISH CONDITIONS AFFECTING HIS WORK AND SHALL ARRANGE SUCH WORK ACCORDINGLY. FURNISHING SUCH FITTING AND ACCESSORIES AS REQUIRED TO MEET SUCH CONDITIONS. IT IS AN ADDITIONAL COST TO THE OWNER. THE RIGHT TO MAKE ANY REASONABLE CHANGE IN LOCATION OF APPARATUS, EQUIPMENT, OUTLETS OR ROUTING OF CONDUIT AND WIRING UP TO THE TIME OF RIGGING-UP IS RESERVED BY THE ENGINEER WITHOUT INVOLVING ANY ADDITIONAL EXPENSE TO THE OWNER.
- UNLESS OTHERWISE NOTED, CONNECT EXIT LIGHTS, EMERGENCY BATTERY UNITS AND NIGHT LIGHTS (NL) TO UNSWITCHED PORTION OF NORMAL LIGHTING CIRCUIT SERVING RESPECTIVE AREA.
- ALL WIRING SHALL BE COPPER, #12 AWG MINIMUM, TYPE THW OR THHN INSULATION, INSTALLED IN CONDUIT (1/2" MINIMUM) NO ROMEX OR BX CABLE PERMITTED. NO CABLE MAY BE USED, WHERE PERMITTED BY CODE, FOR WORK ABOVE CEILINGS AND CONCEALED IN WALLS.
- THE CORRECT NUMBER OF WIRES MAY NOT BE INDICATED FOR ALL CIRCUITS. THE ELECTRICAL CONTRACTOR SHALL PROVIDE ALL WIRES NECESSARY FOR THE PROPER FUNCTION OF THE SYSTEM WHETHER INDICATED ON DRAWING OR NOT.
- ALL D.C. WIRING SHALL BE #16 AWG MINIMUM.
- THE WIRE SIZE INDICATED IN THE HOMERUN SHALL BE USED THROUGHOUT THE CIRCUIT.
- ALL 40' CONDUIT RUNS IN EXCESS OF 10 FT. SHALL BE PROVIDED WITH A PULL WIRE OR FISH TAPE/CORD.
- ELECTRICAL CONTRACTOR TO INCLUDE GROUND WIRE IN ALL RACEWAYS. SIZE RACEWAYS AS NECESSARY TO COMPLY WITH NEC.
- ALL RECEPTACLES LOCATED WITHIN A 6 FEET OF A SINK SHALL BE GFI TYPE.
- GROUND, PHASE AND NEUTRAL CONDUCTORS SHALL BE GFI-TAILED IN OUTLET BOXES OR MULTI-OUTLET ASSEMBLY FOR EACH RECEPTACLE SO THAT CIRCUIT AND ELECTRICAL SYSTEM WILL NOT BE DISTURBED TO OTHER RECEPTACLES ON THE SAME MULTI-WIRE CIRCUIT IF RECEPTACLE IS REMOVED. THE GROUNDING TERMINALS OF ALL RECEPTACLES SHALL BE GROUNDED BY AN INSULATED COPPER CONDUCTOR IN ACCORDANCE WITH TABLE 250.122 N.E.C.
- ELECTRICAL DESIGN HAS BEEN BASED ON THE INSTALLATION OF 75°C CONDUCTORS CONNECTED TO TERMINAL LUGS AND EQUIPMENT. LISTED FOR A MINIMUM 75°C. CONDUCTORS TERMINATED ON EQUIPMENT WITH A LOWER RATING (60°C) OR NO RATING SHOWN SHALL HAVE CONDUCTOR SIZE INCREASED TO CONFORM TO N.E.C. TABLE 310-16 AND U.L. NO. 489 REQUIREMENTS.
- SWITCHBOARDS, PANELBOARDS, DISCONNECT SWITCHES, TRANSFORMERS AND CONTRACTORS ARE TO BE LISTED AND IDENTIFIED AS RATED FOR A MINIMUM OF 75°C CONDUCTOR TERMINATION.
- REFER TO VOLTAGE DROP SCHEDULE. FOR CONDUCTORS SIZED PER NEC ON DRAWINGS, INCREASE SIZE BY NUMBER OF STANDARD COPPER SIZES SHOWN IN TABLE TO COMPENSATE FOR VOLTAGE DROP, AND INCREASE CONDUIT AND GROUNDING CONDUCTOR SIZES ACCORDINGLY AS PER NEC. CONTACT ENGINEER FOR ASSISTANCE IF CIRCUIT LENGTH FROM SOURCE TO LOAD EXCEEDS MAXIMUMS SHOWN.
- THE CONTRACTOR SHALL TEST AND BALANCE THE LOADING ON ALL PANELBOARDS AS CLOSELY AS POSSIBLE TO THE SATISFACTION OF THE ENGINEER.
- PROVIDE TYPED CIRCUIT DIRECTORIES FOR ALL PANELBOARDS TO INDICATE TYPE OF LOAD SERVED AND AREA SERVED (E.G. OFFICE, RESTROOM, ETC.).
- ELECTRICAL EQUIPMENT REQUIRING ACCESS SUCH AS JUNCTION BOXES OR CONNECTIONS TO EQUIPMENT SHALL NOT BE INSTALLED ABOVE INACCESSIBLE CEILINGS OR BEHIND WALLS. CONTRACTOR SHALL REMOVE ANY EXISTING CONDUIT AND JUNCTION BOXES ABOVE INACCESSIBLE CEILINGS/WALLS WHICH CANNOT BE RELOCATED. SHALL BE ABANDONED WITH ALL WIRING REMOVED.
- ALL RECEPTACLES AND JUNCTION BOXES WITH BRANCH CIRCUITING SHALL BE LABELED WITH PANEL DESIGNATION AND CIRCUIT NUMBER. CLEARLY LABEL ON FACE OF COVERPLATE OR PLATE TAG BEHIND COVERPLATE.
- REFER TO ARCHITECTURAL REFLECTED CEILING PLANS FOR EXACT LOCATION OF LIGHTING FIXTURES AND GRID COORDINATION. THE ELECTRICAL CONTRACTOR SHALL VERIFY THE TYPE OF CEILING SYSTEM WITH THE GENERAL CONTRACTOR OR CEILING CONTRACTOR TO INSURE THAT ALL CEILING RECESSED LIGHTING FIXTURES ARE COMPATIBLE WITH THE CEILING SYSTEM BEING INSTALLED. LIGHTING FIXTURES SHOULD NOT BE ORDERED UNTIL TYPE OF CEILING HAS BEEN VERIFIED.
- ELECTRICAL CONTRACTOR SHALL VERIFY ALL DOOR SWINGS WITH THE ARCHITECTURAL PLANS PRIOR TO INSTALLING LIGHT SWITCH BOXES. LIGHT SWITCHES SHALL BE LOCATED ON LOCK SIDE OF THE DOOR UNLESS PHYSICALLY IMPOSSIBLE TO INSTALL. IN THIS LOCATION, VERIFY EXACT LOCATION WITH ARCHITECT PRIOR TO INSTALLATION IN THIS EVENT.
- REFER TO ARCHITECTURAL PLANS FOR EXACT DIMENSIONS OF THE BUILDING. REFER TO MECHANICAL OR PLUMBING PLANS FOR EXACT LOCATION OF THEIR EQUIPMENT. ELECTRICAL CONTRACTOR BEFORE INSTALLING ANY WORK SHALL MAKE SURE IT DOES NOT INTERFERE WITH CLEARANCES AS SHOWN ON THE ARCHITECTURAL DRAWINGS OR OTHER TRADE DRAWINGS.
- ELECTRICAL CONTRACTOR SHALL VERIFY ALL EQUIPMENT REQUIREMENTS WITH ALL TRADES BEFORE INSTALLING CONDUIT OR CONDUCTORS FROM POWER SOURCE TO EQUIPMENT TERMINATION.
- FLOURESCENT FIXTURES MOUNTED ON SUSPENDED CEILING SHALL BE SUPPORTED FROM THE FLOOR CONSTRUCTION ABOVE BY MEANS OF A MINIMUM OF FOUR SEPARATE GALVANIZED CHAINS OR WIRES PER FIXTURE. PROVIDE ONE AT EACH CORNER OF THE FIXTURE. EACH CHAIN SHALL BE CAPABLE OF SUPPORTING 100 LBS AND EACH WIRE SHALL BE A MINIMUM #12 AWG MILD STEEL INCANDESCENTLY, FLUORESCENT OR HID DOWN LIGHT FIXTURES ON SUSPENDED CEILINGS SHALL BE SUPPORTED USING ONE CHAIN OR WIRE AS DESCRIBED ABOVE.
- ALL WIRING DEVICES SHALL BE SPECIFICATION GRADE.
 - LIGHT SWITCH SHALL BE 20A, 125V, 2P, 3W, NEMA 5-20R, UNLESS NOTED OTHERWISE ON THE DRAWINGS.
 - DUPLEX RECEPTACLES SHALL BE 20A, 125V, 2P, 3W, NEMA 5-20R, UNLESS NOTED OTHERWISE ON THE DRAWINGS.
 - DEVICE AND COVER PLATE FINISHES FOR NEW DEVICES SHALL MATCH BASE BUILDING DEVICE FINISHES UNLESS OTHERWISE NOTED.
 - MOUNTING HEIGHTS OF NEW DEVICES SHALL MATCH BASE BUILDING DEVICE MOUNTING HEIGHT UNLESS OTHERWISE NOTED.
 - DEVICE AND COVER PLATE FINISHES FOR EMERGENCY CIRCUITS SHALL BE RED.
 - DEVICE AND COVER PLATE FINISHES FOR ISOLATED GROUND CIRCUITS SHALL BE ORANGE.
- ALL DEVICES SHALL BE MOUNTED TO COMPLY WITH AMERICAN DISABILITIES ACT.
- HEIGHTS OF OUTLETS FROM FINISHED FLOOR TO CENTERLINE OF OUTLET:

RECEPTACLES AND DATA OUTLETS:	1'-6" (UNLESS NOTE OTHERWISE)
WALL SWITCHES	4'-0"
FIRE ALARM PULL STATIONS	4'-0"
FIRE ALARM HORN/STROBE LIGHTS (WHICHEVER IS LOWER)	8'-0" AFF OR 6" BELOW CEILING

 EXCEPTIONS: CODED VIOLATION, AS NOTED OR DIRECTED.
- CONTRACTOR SHALL BE RESPONSIBLE FOR PROPER SIZING OF ALL MOTOR OVERLOAD DEVICES IN STARTERS BASED ON ACTUAL NAMEPLATE RATING ON THE MOTORS BEING INSTALLED.
- CONTRACTOR SHALL NOTE U.L. LABEL/NAMEPLATE ON MECHANICAL EQUIPMENT, OR SHOULD LOCAL INSPECTOR CALL FOR THE OVERLOAD PROTECTIVE DEVICE TO BE FUSED, THE ELECTRICAL CONTRACTOR SHALL PROVIDE A FUSED DISCONNECT SWITCH WITH PROPER SIZE FUSES AT THE SWITCH LOCATION AS INDICATED ON THE DRAWINGS.
- ELECTRICAL BOXES IN FIRE RATED PARTITIONS SHALL NOT EXCEED 16 SQUARE INCHES IN AREA (IF 4"x4"), SHALL BE MADE OF STEEL, AND SHALL BE SUCH THAT THE CUMULATIVE AREA OF BOX "CUTOUPS" IN THE FIREWALL DOES NOT EXCEED 100 SQUARE INCHES PER 100 SQUARE FEET OF WALL AREA. ELECTRICAL BOXES ON OPPOSITE SIDES OF THE SAME FIREWALL SHALL BE SEPARATED BY A HORIZONTAL AND VERTICAL DISTANCE OF NOT LESS THAN 24 INCHES. THE ELECTRICAL CONTRACTOR SHALL MAKE MINOR ADJUSTMENTS, AS NECESSARY, TO ELECTRICAL BOX LOCATIONS TO ENSURE COMPLIANCE WITH THIS REQUIREMENT. SINCE BOX LOCATIONS ARE TYPICALLY NOT DIMENSIONED ON THE DRAWINGS, CONSULT ARCHITECT IF CLARIFICATION IS REQUIRED.
- ALL PENETRATIONS THRU FIRE RATED WALL ASSEMBLIES SHALL BE PROTECTED WITH AN APPROVED FIRESTOP SYSTEM OR IN ACCORDANCE WITH IBC SECTION 712.3.1 WHERE APPLICABLE.
- SEAL ALL CONDUIT PENETRATIONS THROUGH RATED WALLS AND FLOORS TO MAINTAIN FIRE INTEGRITY. REFER TO ARCHITECTURAL DRAWINGS FOR FIRE RATED WALL OR FLOOR LOCATIONS.
- ELECTRICAL CONTRACTOR SHALL USE CONDULET SEALING FITTINGS WITH APPROVED SEALING COMPOUND ON ALL CONDUITS PASSING FROM INTERIOR TO EXTERIOR OF A BUILDING AND WHERE DIFFERING SPACE REQUIREMENTS EXIST.

DEMOLITION NOTES:

- ALL ACCESSIBLE ITEMS OF ELECTRICAL EQUIPMENT CONDUITS, WIRING, LIGHTS, RECEPTACLES, ETC. AFFECTED BY THE RENOVATION WORK AND NOT REQUIRED IN THE COMPLETED WORK SHALL BE CAREFULLY REMOVED. DAMAGED WALLS, FLOORS, CEILINGS, ETC. SHALL BE PATCHED AND FINISHED TO MATCH THE EXISTING ADJACENT SURFACES. REMOVED ITEMS SHALL BE PROPERLY DISPOSED OF OFF SITE AND NOT REUSED EXCEPT AS NOTED. TURN OVER ALL EXISTING EQUIPMENT DESIRED BY BUILDING OWNER.
- WHEREVER EXISTING ELECTRICAL WORK IS INDICATED TO BE REMOVED, THE FOLLOWING NOTES SHALL APPLY:
 - ALL EXISTING WIRING SHALL BE REMOVED BACK TO ITS SOURCE.
 - ALL EXISTING CONDUIT WHICH IS EXPOSED, OR WHICH BECOMES EXPOSED AT ANY TIME DURING CONSTRUCTION SHALL BE REMOVED IN ITS ENTIRETY. CONDUIT STUBS THROUGH THE FLOOR SHALL BE CUT OFF FLUSH WITH THE FLOOR SLAB, FILLED WITH CONCRETE, AND MADE READY TO ACCEPT NEW FLOOR FINISHES WHERE APPLICABLE.
 - WHERE EXISTING CONDUIT STUBS THROUGH THE ROOF ARE NO LONGER REQUIRED, AND OCCUR IN AREAS WHERE THE EXISTING ROOF IS TO REMAIN, THE CONDUIT SHALL BE CUT OFF 6" ABOVE AND BELOW THE ROOF, FILLED WITH EXPANDABLE FOAM SEALANT (DOW CORNING SILICONE RTV OR APPROVED EQUAL). THE CONDUIT SHALL THEN BE CAPPED ABOVE THE ROOF AND MADE COMPLETELY WATERTIGHT.
 - WHEREVER EXISTING FLUSH MOUNTED BOXES WILL REMAIN EXPOSED, FURNISH AND INSTALL BLANK COVERPLATES ON THE EXISTING OUTLET BOXES.
 - ALL EXISTING TELEPHONE WIRING AND EQUIPMENT SHALL BE DISCONNECTED AND REMOVED. COORDINATE DEMOLITION WITH TELEPHONE COMPANY.
- RECONNECT CIRCUITS AS REQUIRED TO MAINTAIN CONTINUITY TO EXISTING DEVICES AND EQUIPMENT NOTED TO REMAIN AS WELL AS ADJACENT AREAS WHICH ARE NOT IN CONTRACT.
- REMOVE ALL ABANDONED POWER BRANCH CIRCUIT CABLES/CONDUITS AND TELEPHONE/DATA CABLES ABOVE CEILING OR IN WALLS THAT ARE NOT USED. EXISTING CONDUIT FOUND REUSABLE MAY BE USED. ALL OTHER MATERIAL SHALL BE REMOVED FROM THE JOB SITE UNLESS OTHERWISE DIRECTED BY THE RESIDENT ENGINEER.