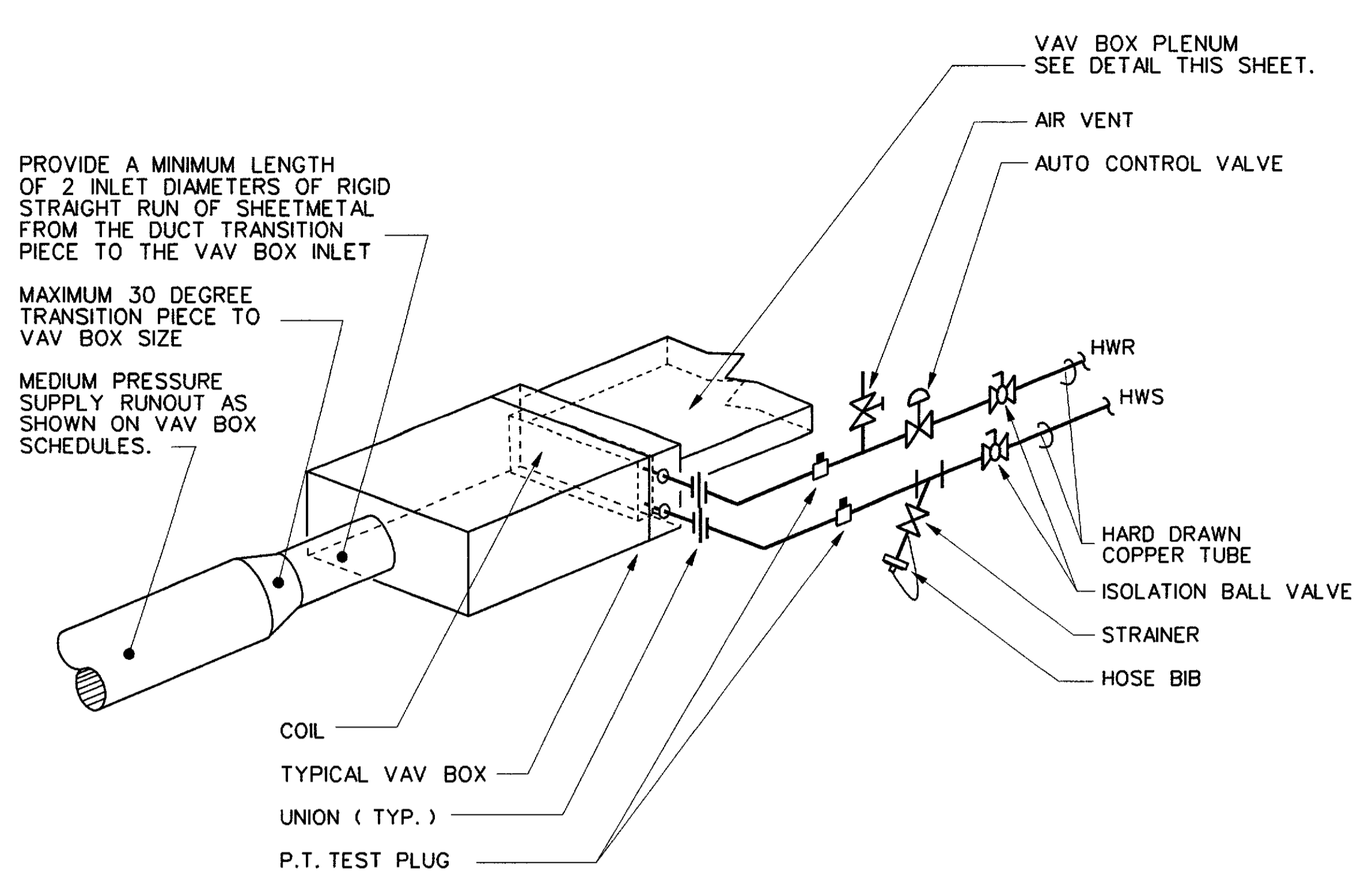
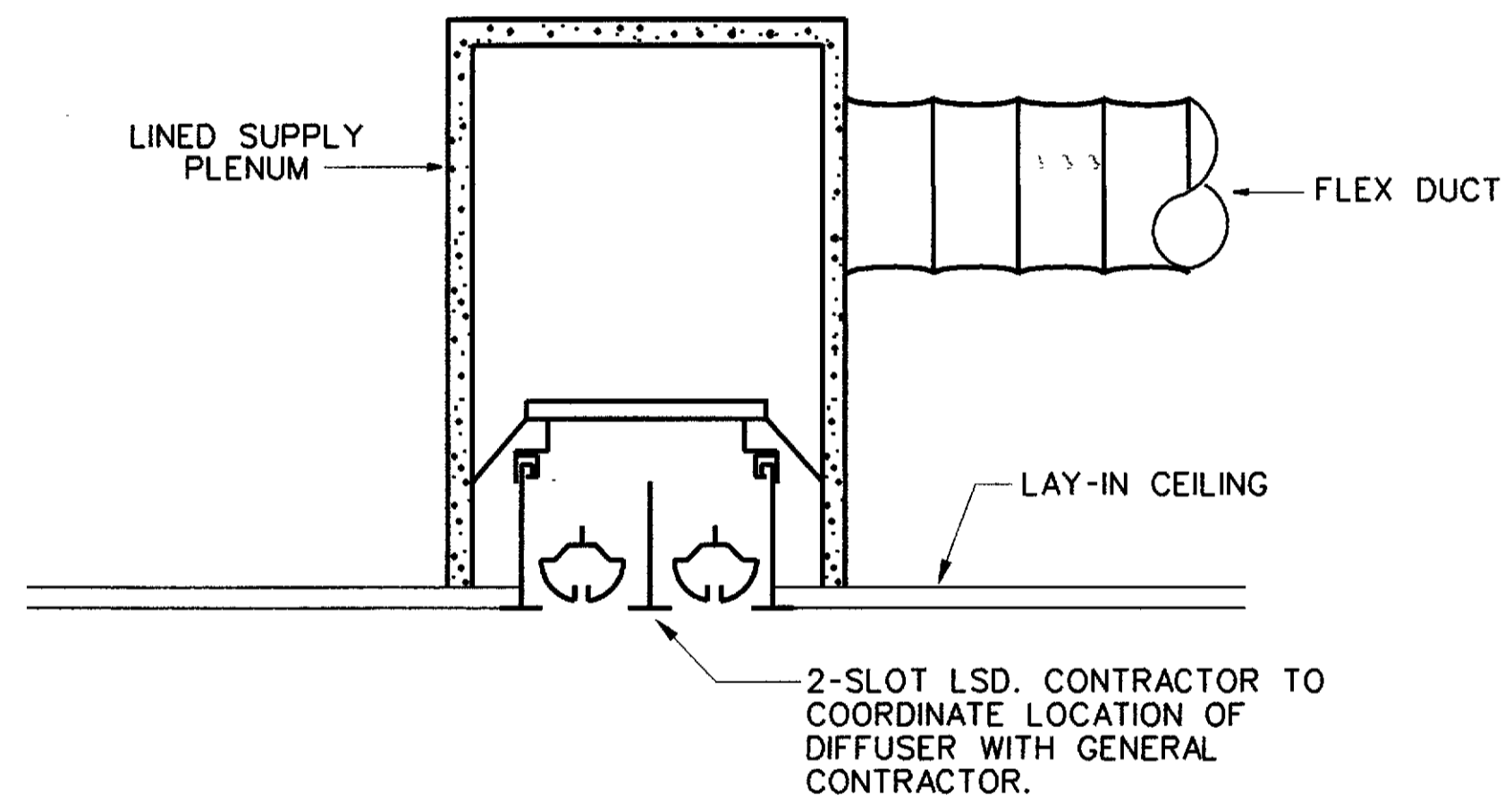


A B C D E F G H

6
5
4
3
2
1

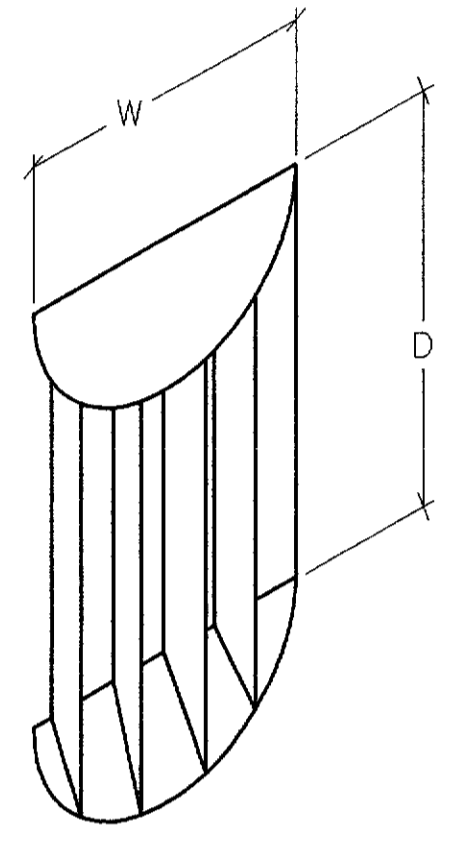
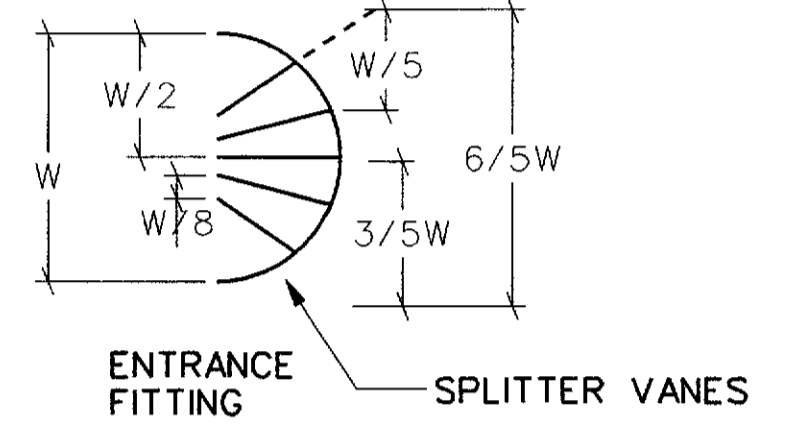
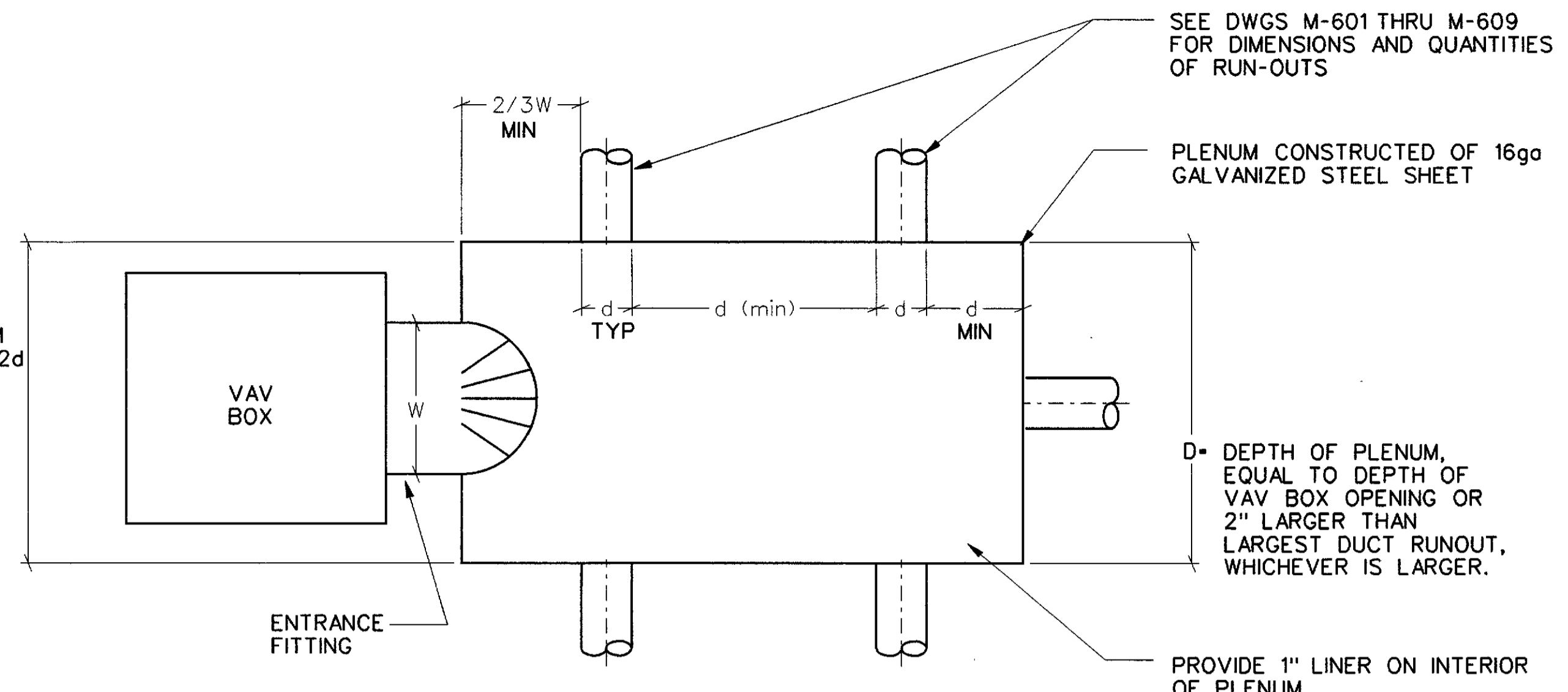


① NEW VARIABLE VOLUME BOX CONNECTION DETAIL
NO. _____ SCALE _____



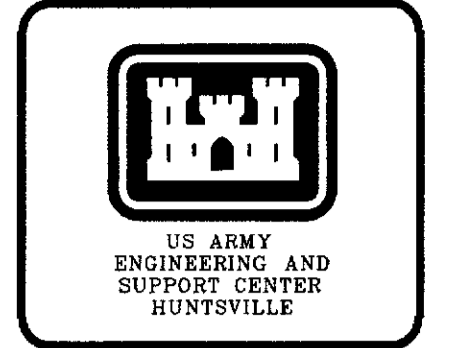
② LSD DETAIL
NO. _____ SCALE _____

WIDTH OF PLENUM
EQUAL TO $W + 2d$
WHERE d IS THE
LARGEST DUCT
RUNOUT



⑤ VAV BOX PLENUM DETAIL
NO. _____ SCALE _____

5 OUTLET BOX IS SHOWN.
MODIFY BOX TO SUIT QUANTITY
OF OUTLETS AS INDICATED ON
FLOOR PLANS.

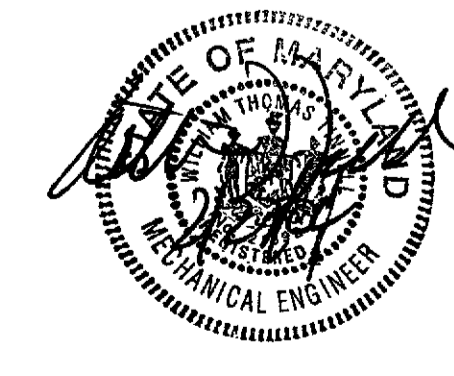


Date	Appr.	Description

TASK ORDER #1: FR0004
 PADUCH, KENTUCKY
 VOICE 270-442-8620

 I.C. THOMASSON
 NASHVILLE, TENNESSEE
 PHONE (615) 346-3400

Checked by: WTT
 Date: 02/27/04
 CAD File Name: J12.MD01.DGN
 DWG by: ICT
 DACAB7-03-D-0006
 ICT Project No.: 203121
 Approved by: [Signature]
 Date: 02/27/04
 Chief, Prj. Mgmt. Division
 Plot scale: [Blank]



**DEFENSE INFORMATION
SCHOOL**
MARYLAND
FT. MEADE
MECHANICAL
DETAILS

Sheet
reference
number:
M-504

THESE DOCUMENTS HAVE BEEN
PREPARED PRIMARILY BASED ON
INFORMATION PROVIDED BY OTHERS.
I.C. THOMASSON HAS NOT VERIFIED
THE ACCURACY OF ALL INFORMATION
PROVIDED BY OTHERS. SEE LIMIT OF
LIABILITIES STATEMENT ON COVER SHEET.