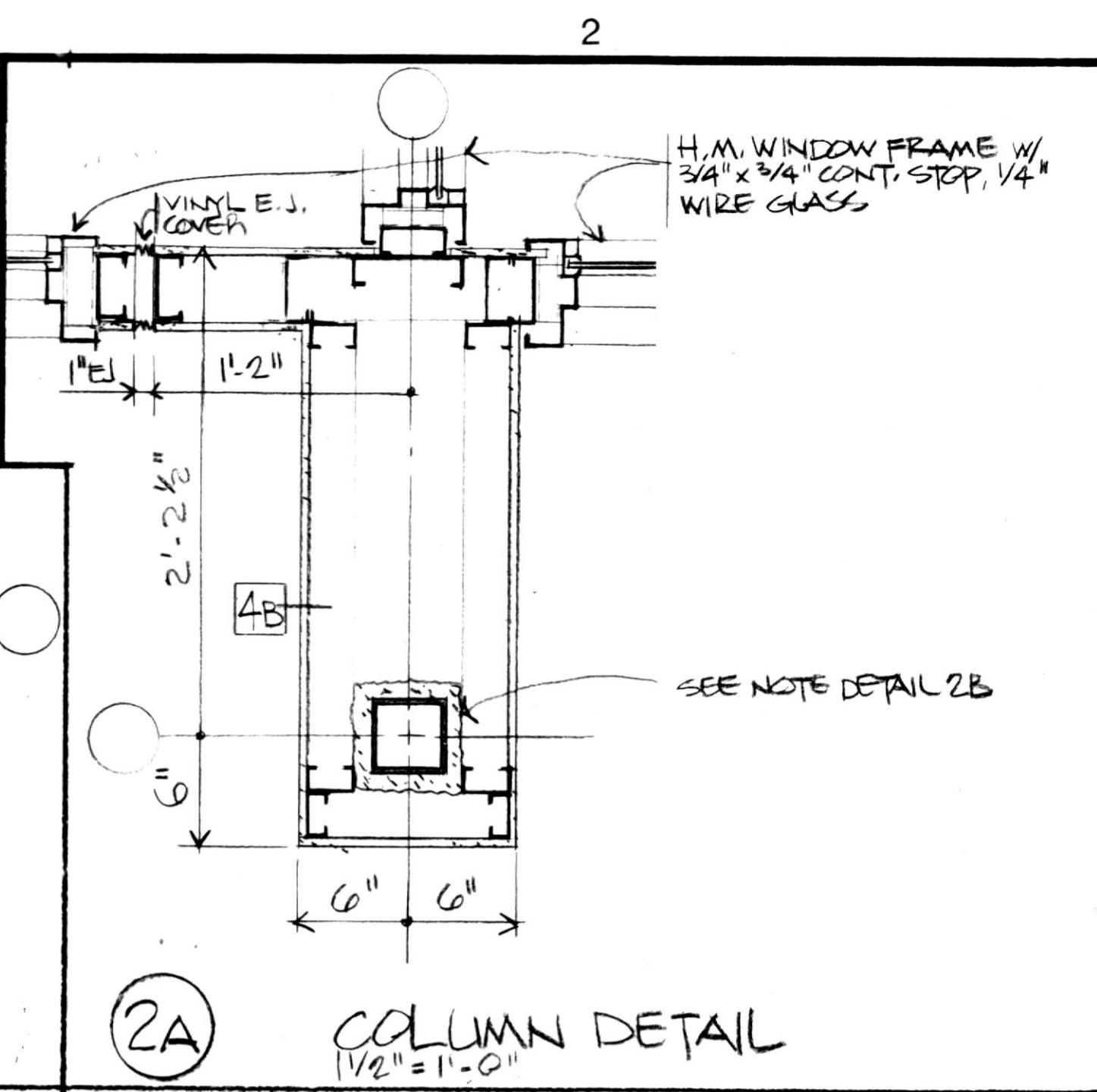
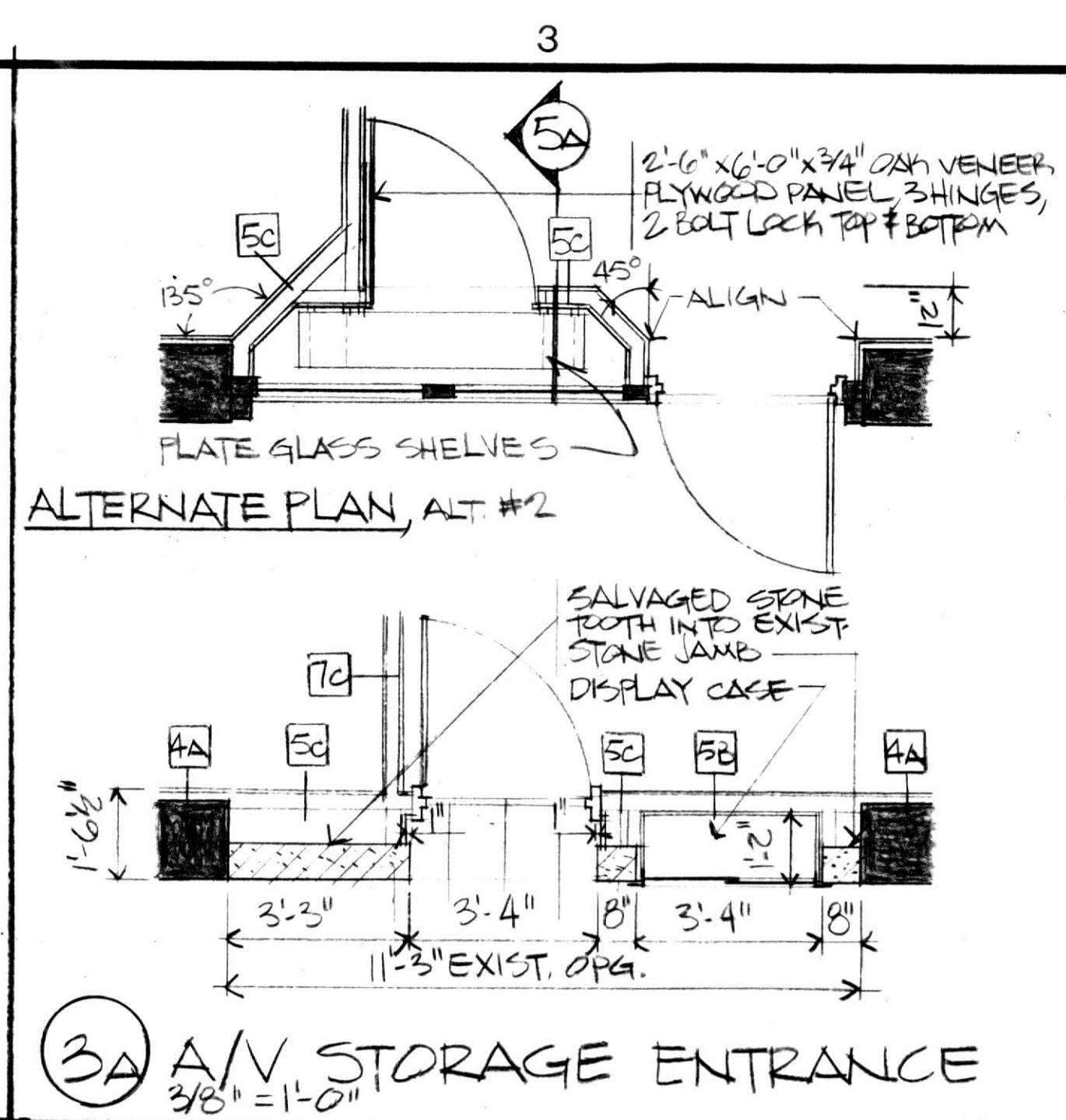


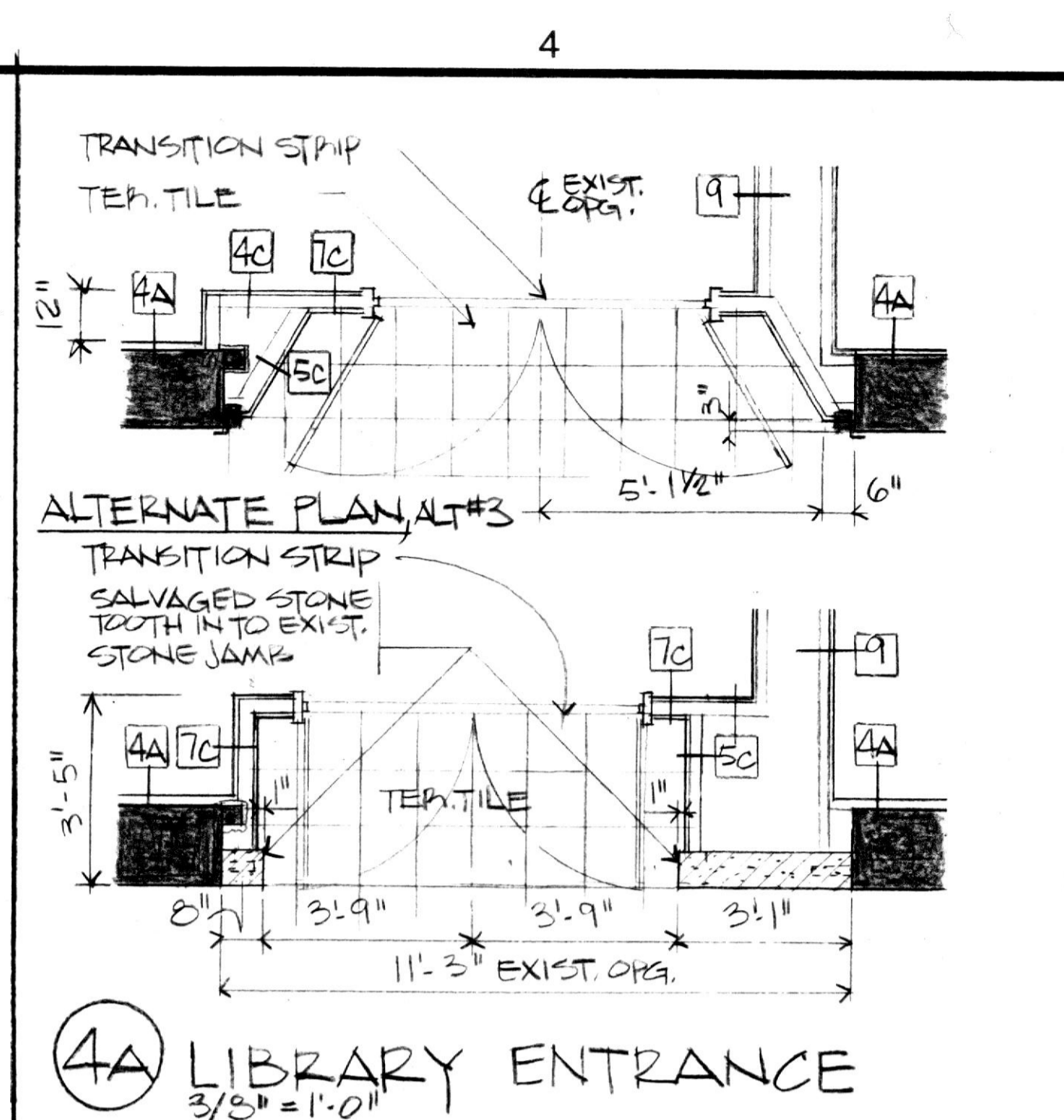
1A EXPANSION JOINT
1/2" = 1'-0"



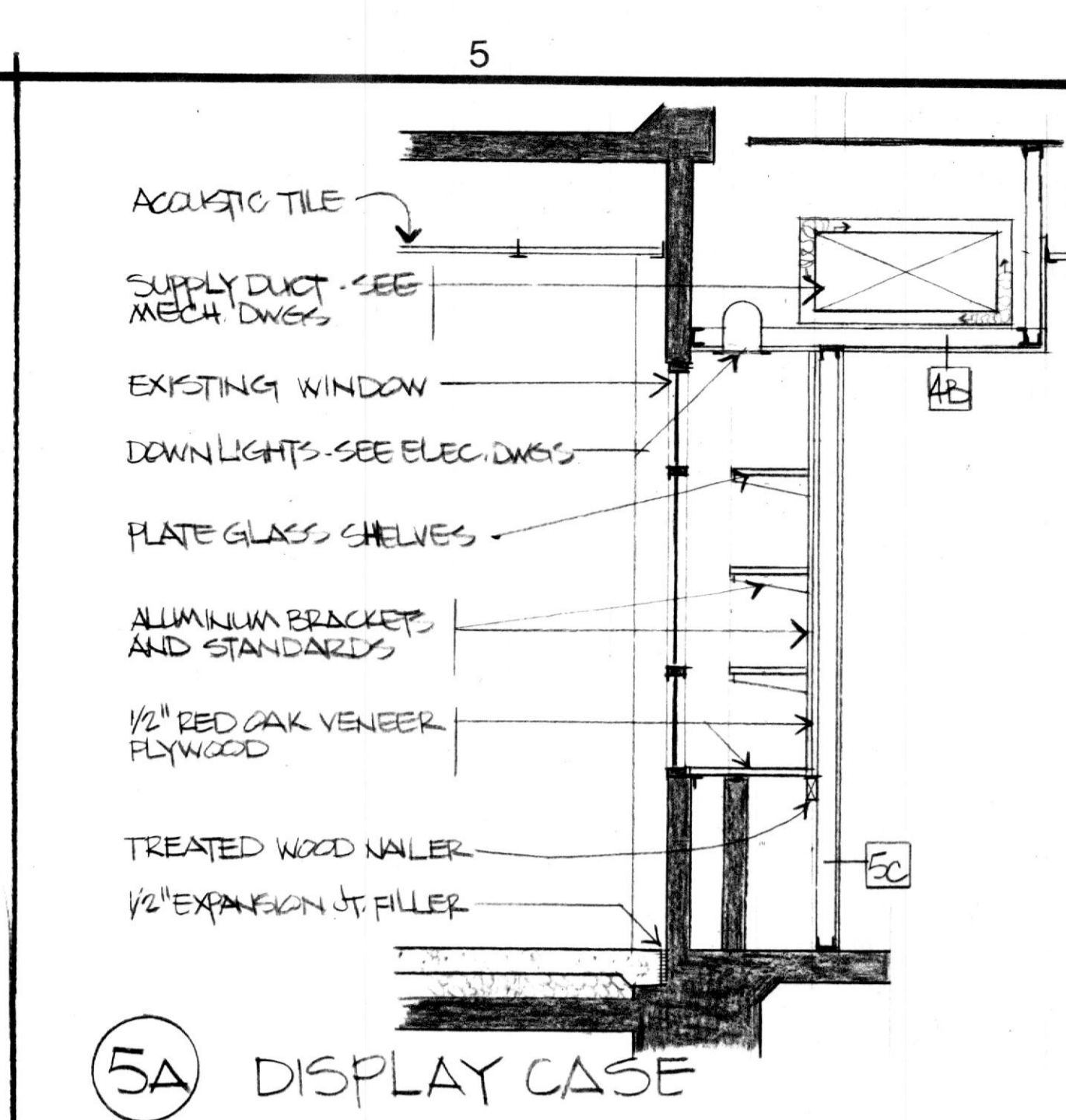
2A COLUMN DETAIL
1/2" = 1'-0"



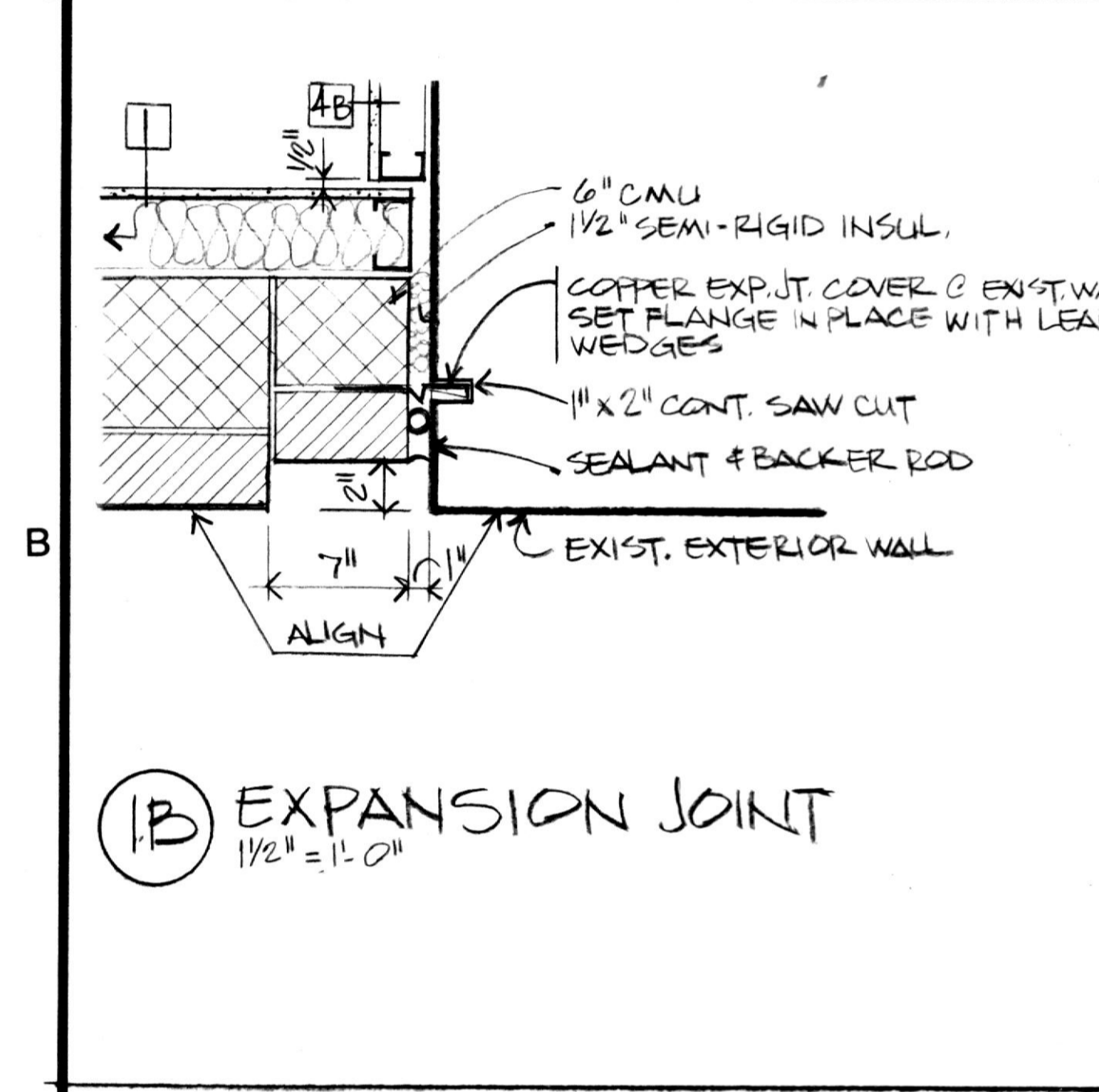
3A A/V STORAGE ENTRANCE
3/8" = 1'-0"



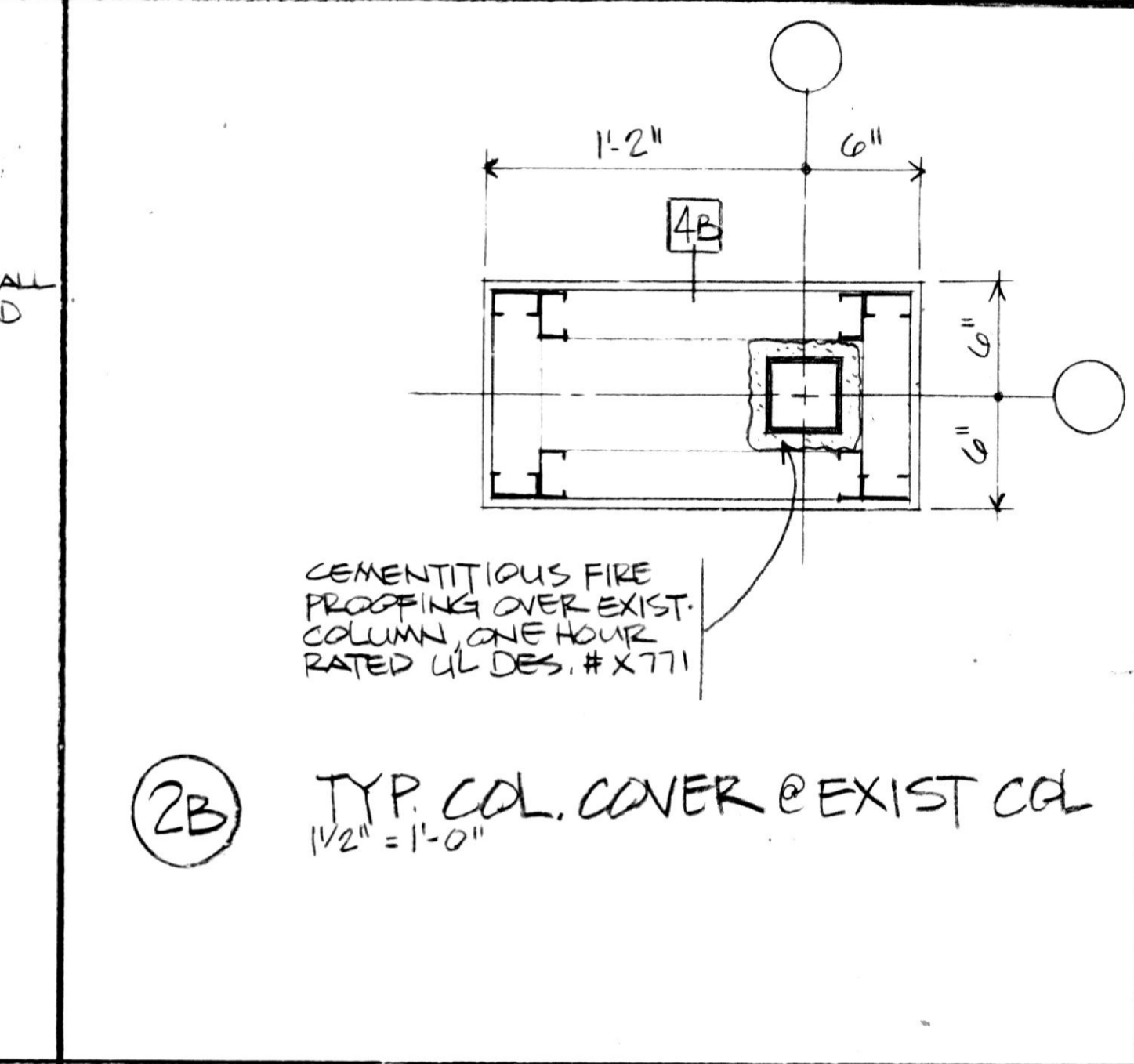
4A LIBRARY ENTRANCE
3/8" = 1'-0"



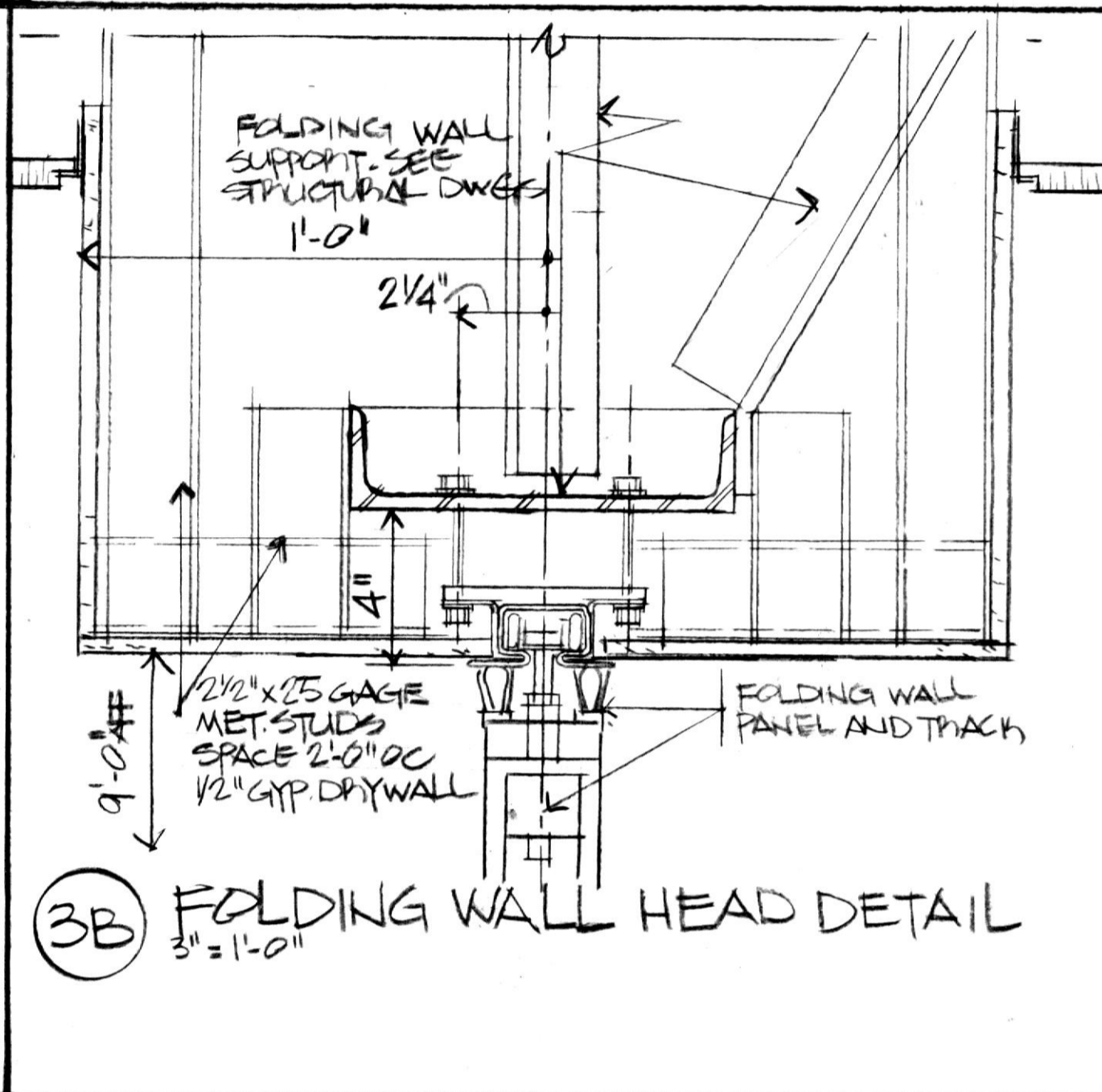
5A DISPLAY CASE



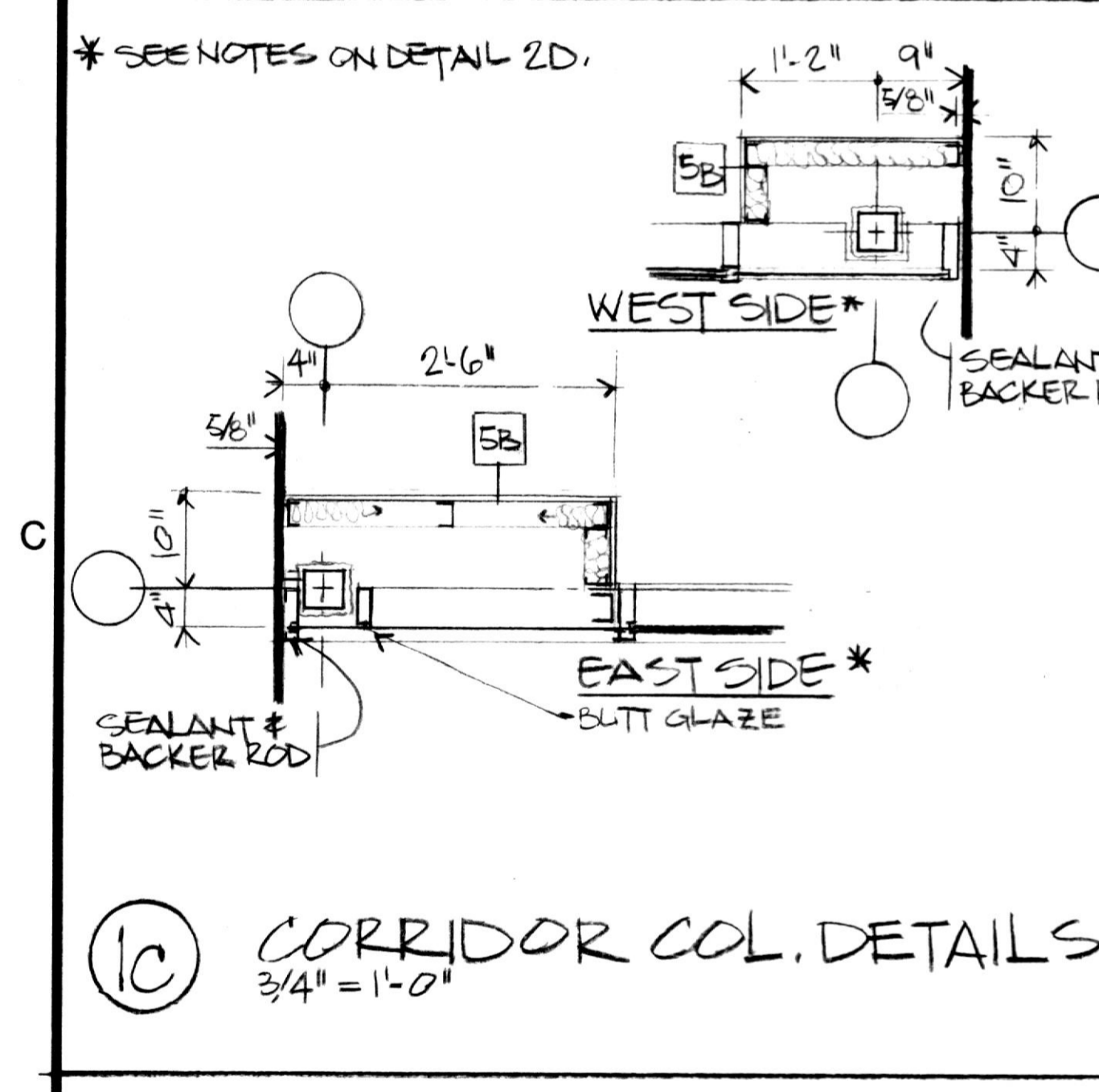
1B EXPANSION JOINT
1/2" = 1'-0"



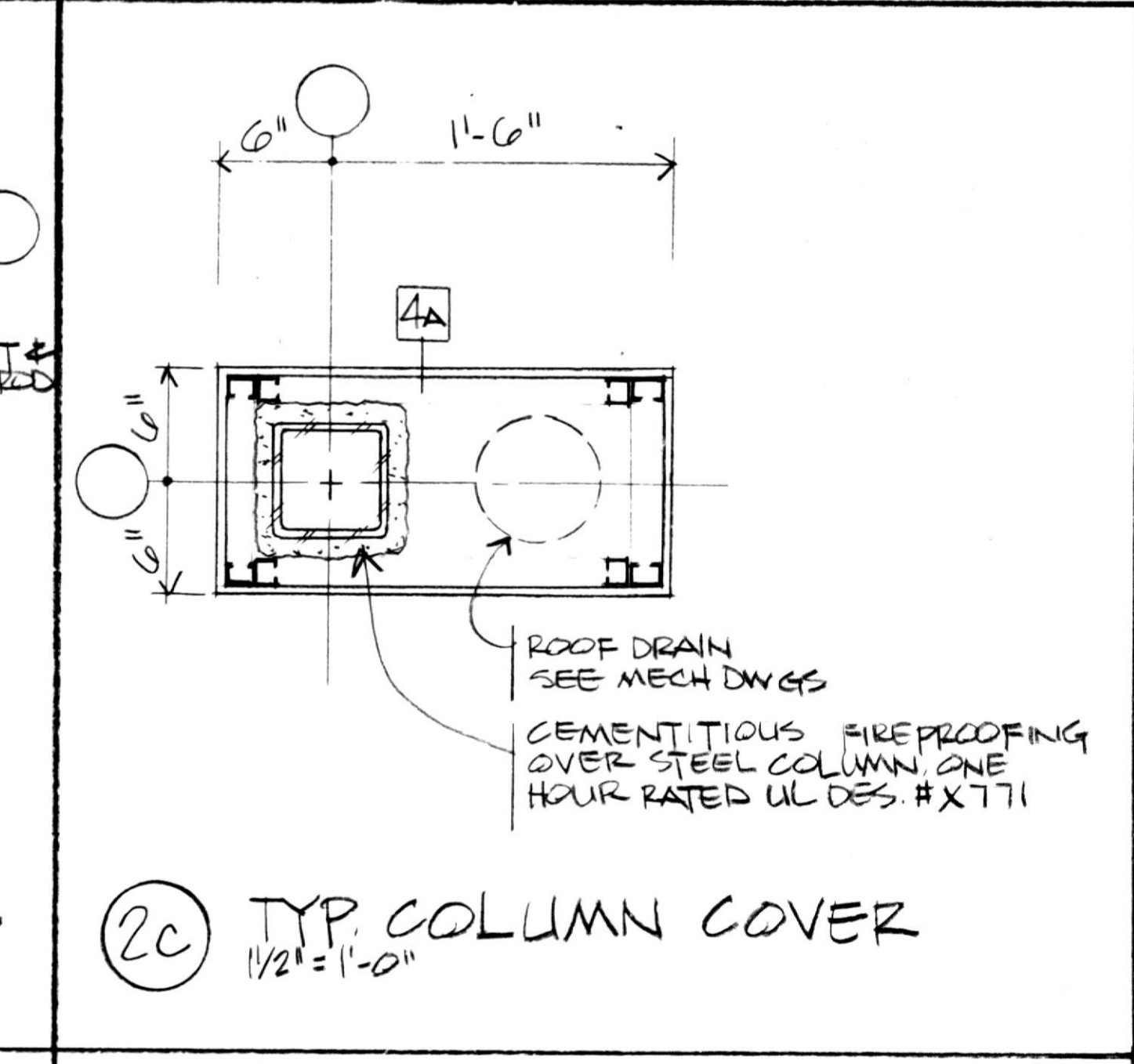
2B TYP. COL. COVER @ EXIST COL
1/2" = 1'-0"



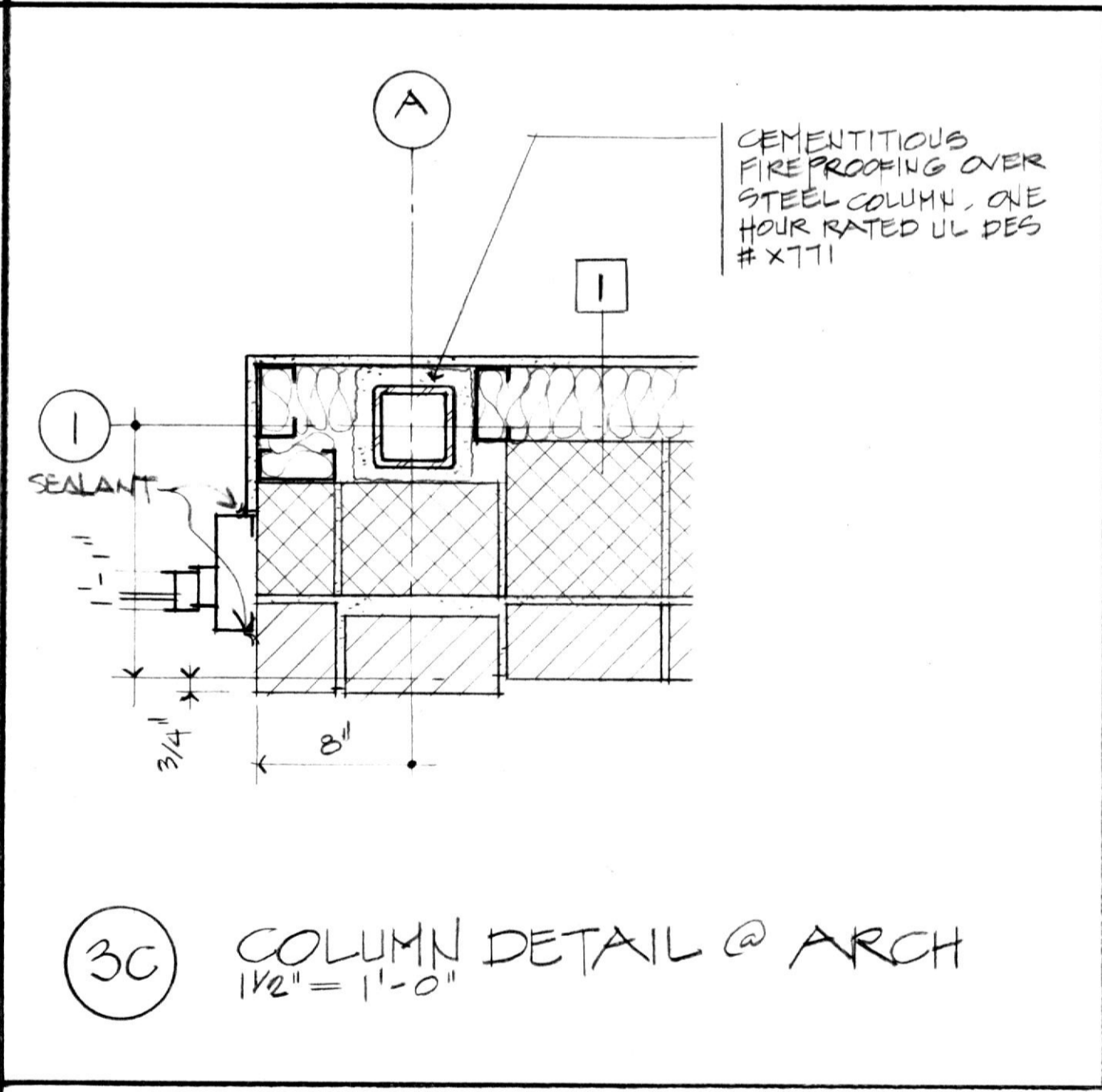
3B FOLDING WALL HEAD DETAIL
3/4" = 1'-0"



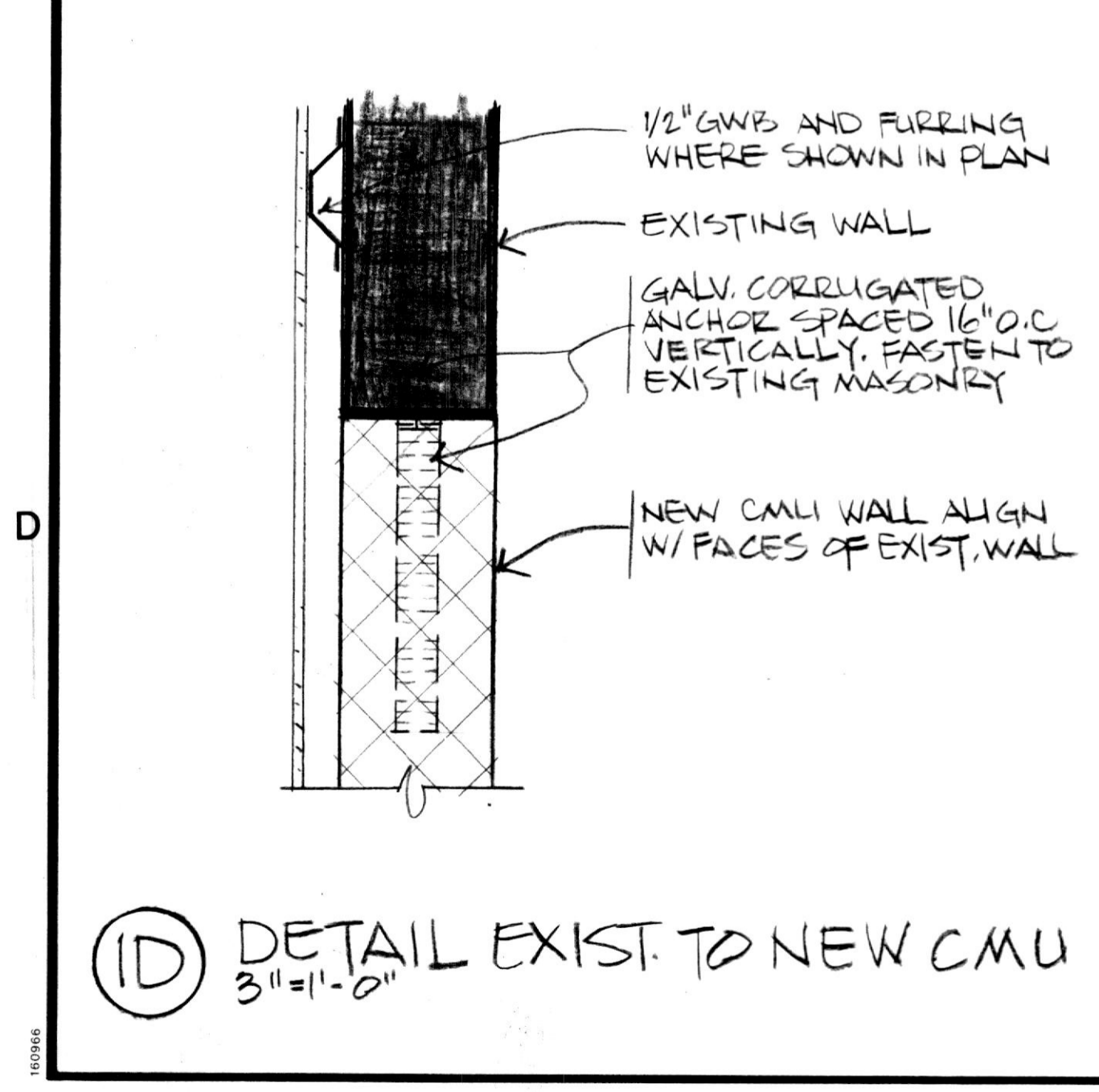
1C CORRIDOR COL. DETAILS
3/4" = 1'-0"



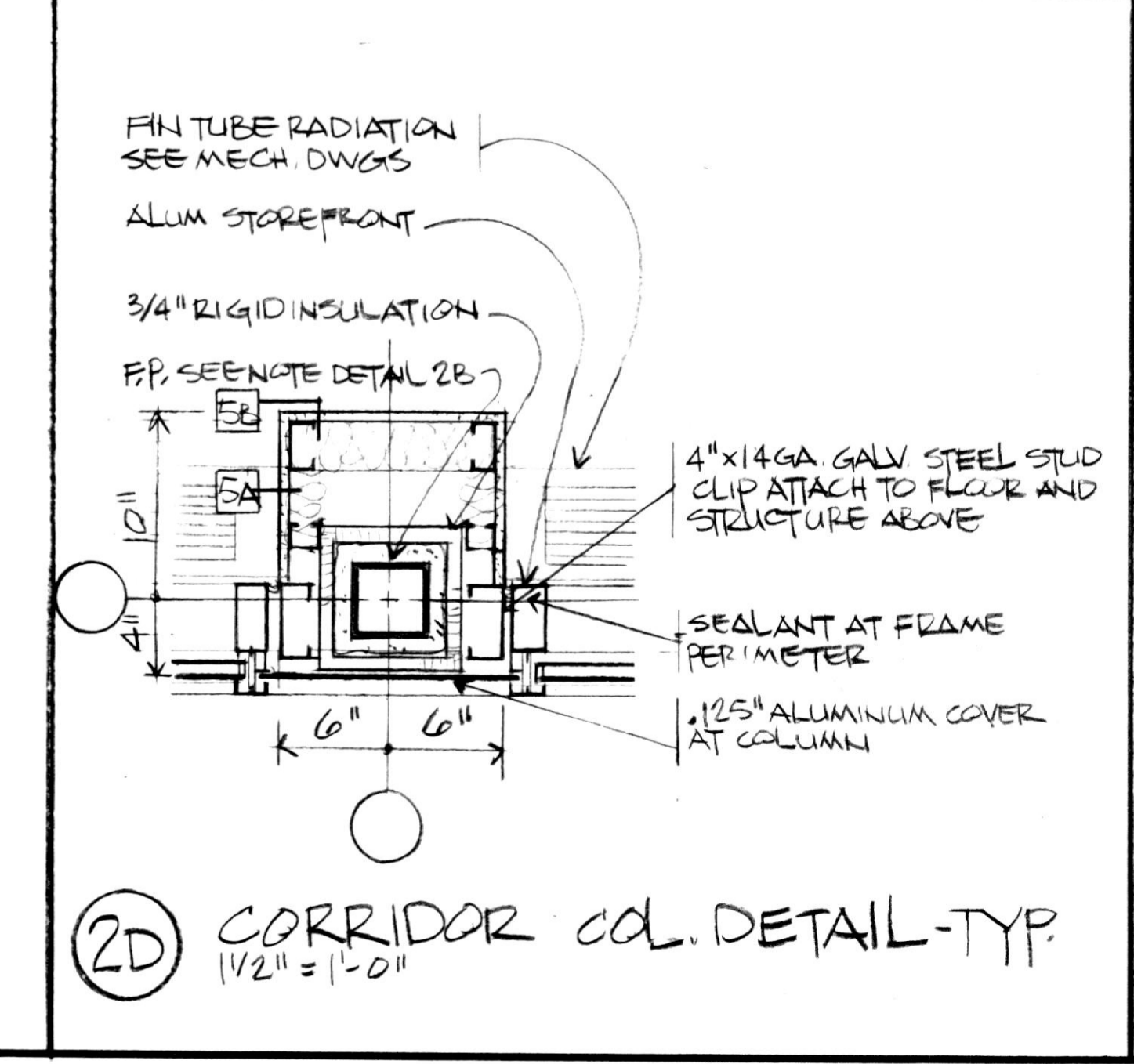
2C TYP. COLUMN COVER
1/2" = 1'-0"



3C COLUMN DETAIL @ ARCH
1/2" = 1'-0"

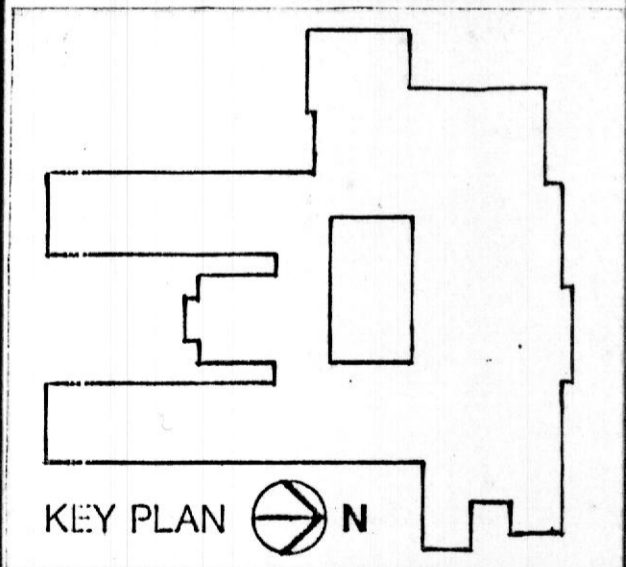


1D DETAIL EXIST. TO NEW CMU
3/4" = 1'-0"



2D CORRIDOR COL. DETAIL-TYP.
1/2" = 1'-0"

No.	Date	Description
REVISIONS		



Additions and Renovations to
NOTRE DAME PREPARATORY SCHOOL
Towson, Maryland

DETAILS

PROJ NO 9060	DWG NO A-7
DATE MAY 28, 1991	