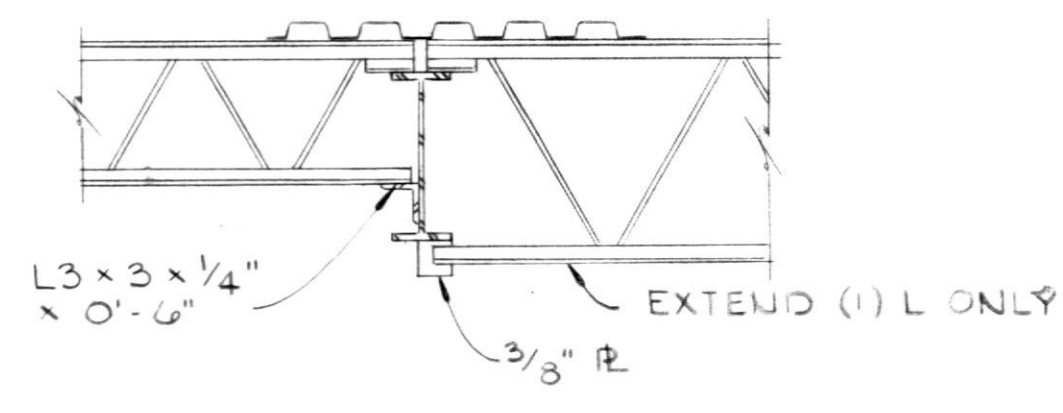
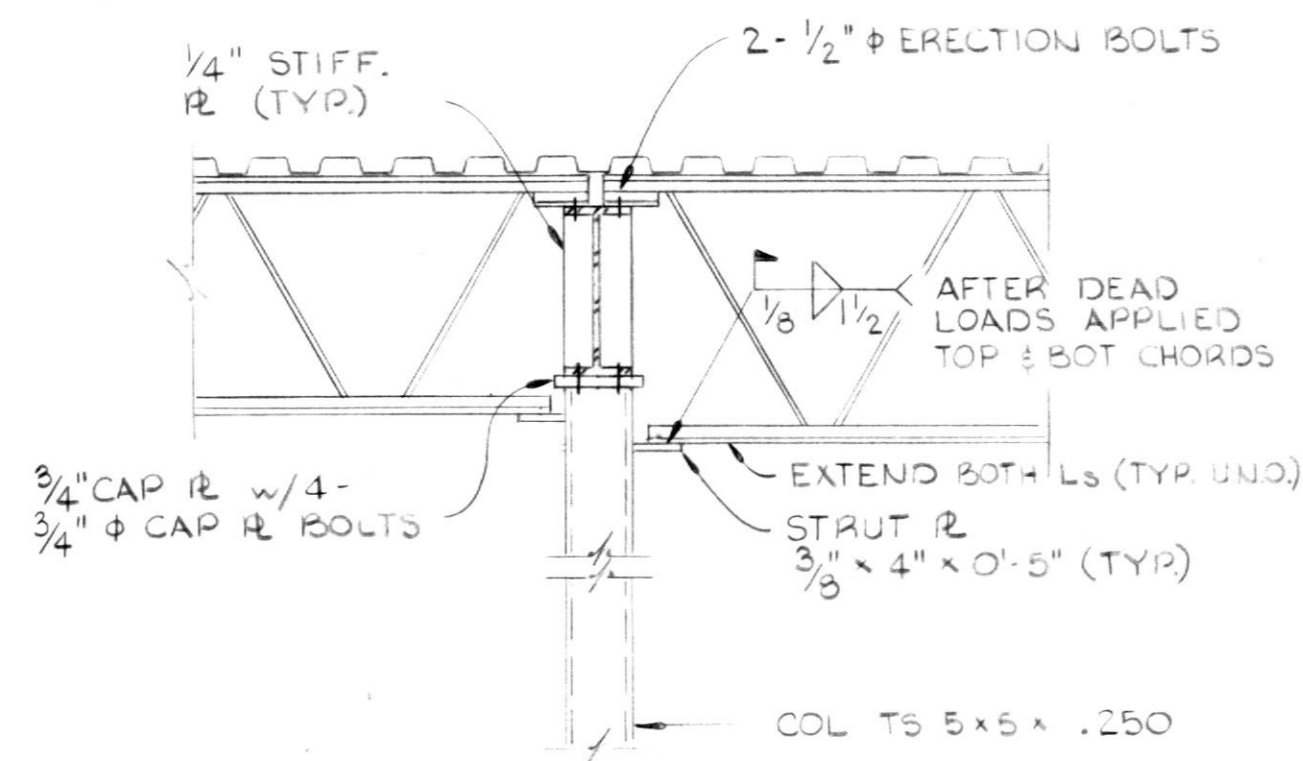


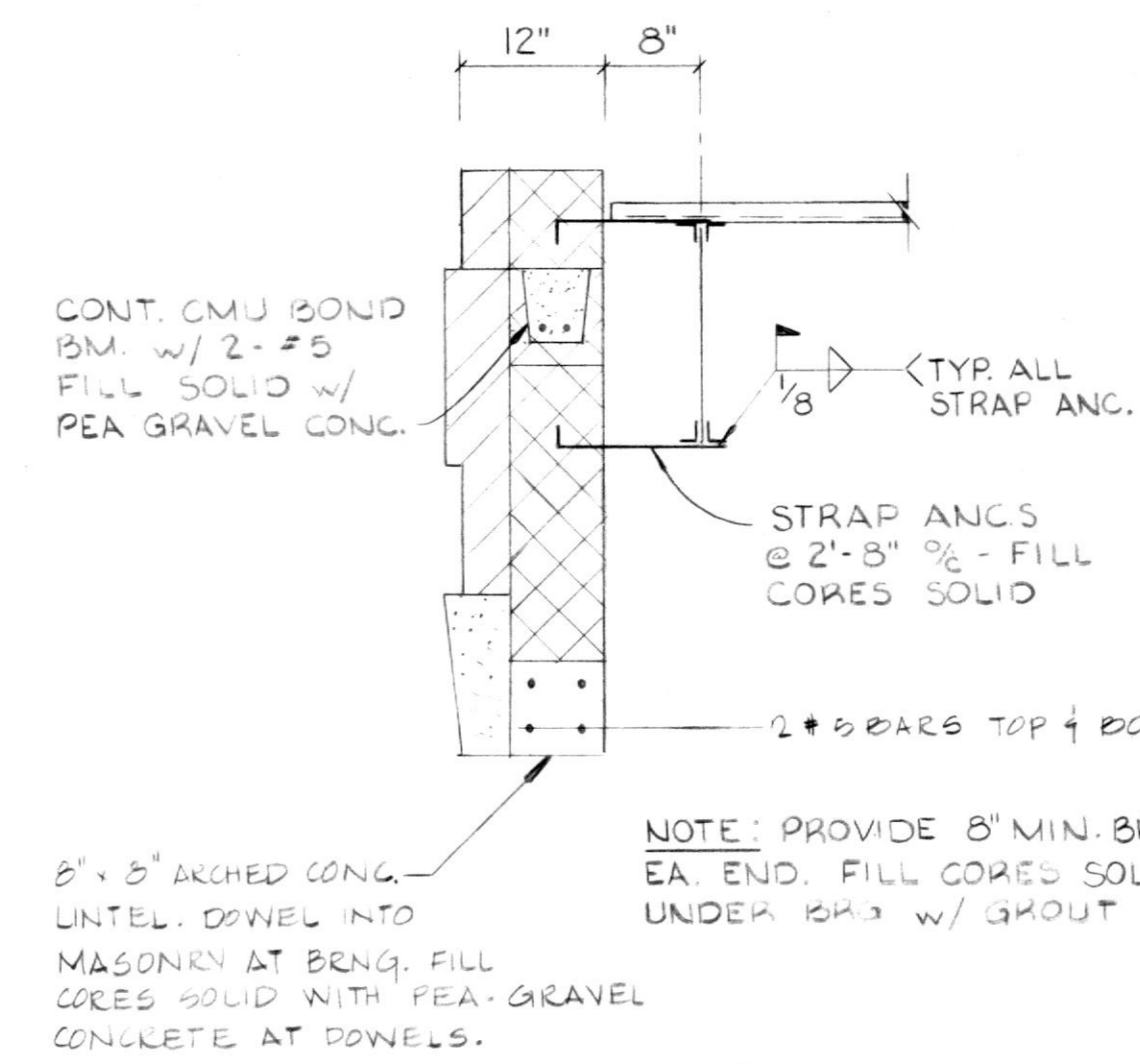
1 SECTION
SCALE: 3/4" = 1'-0"



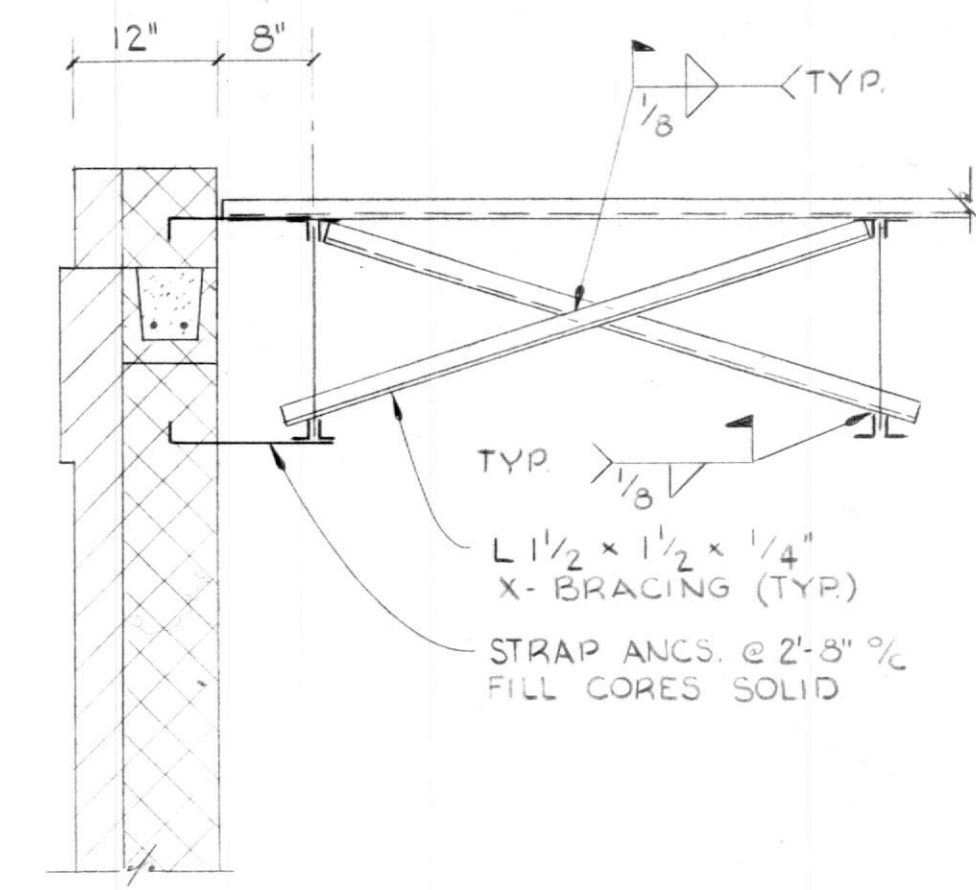
2 SECTION
SCALE: 3/4" = 1'-0"



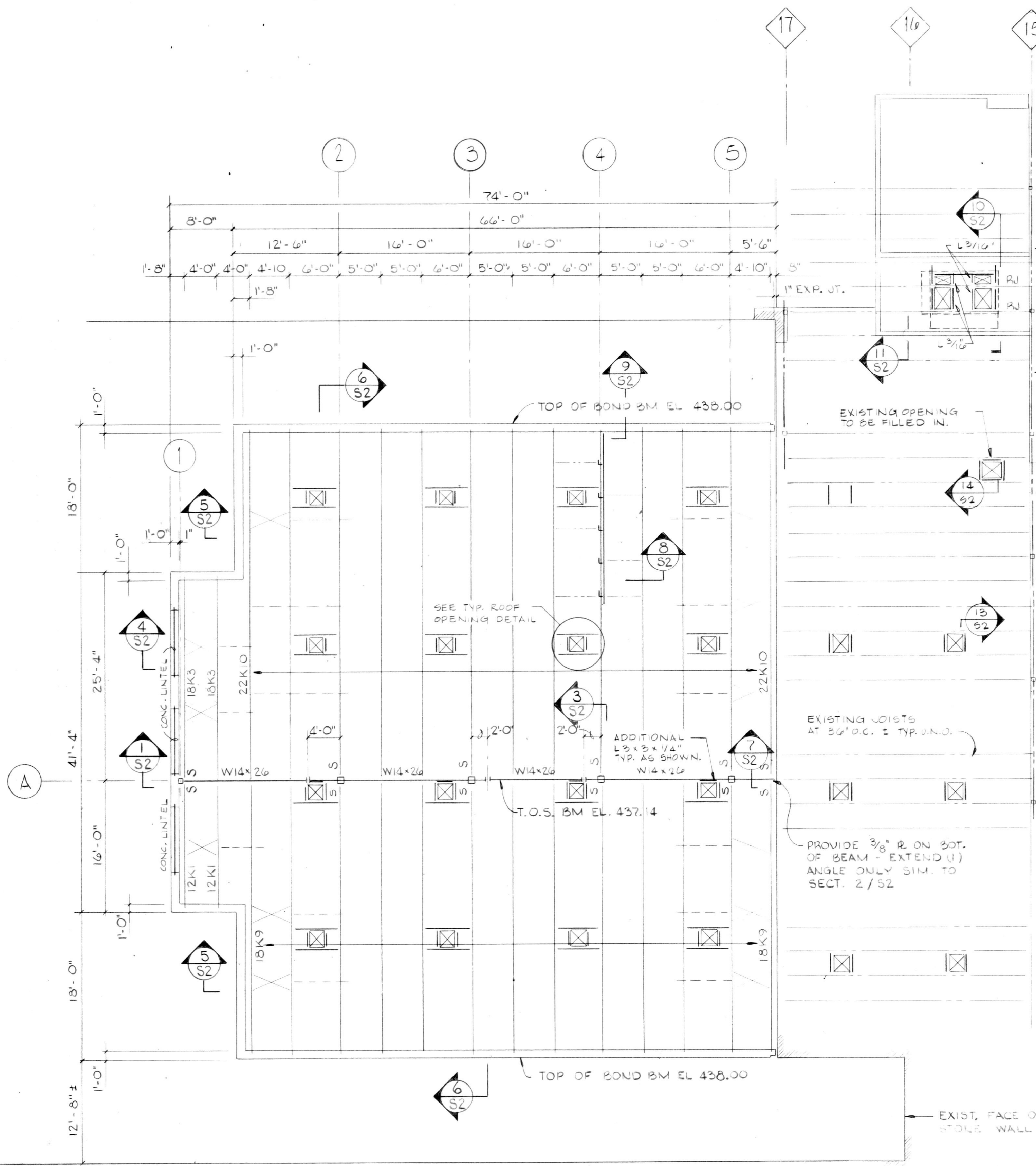
3 TYP. SECTION AT INT. COL.
SCALE: 3/4" = 1'-0"



4 SECTION
SCALE: 3/4" = 1'-0"

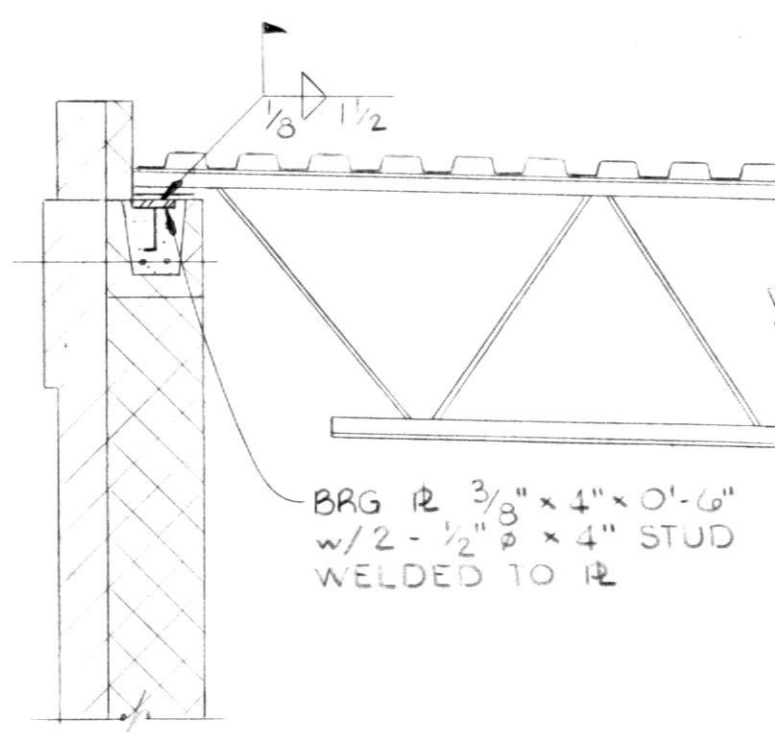


5 SECTION
SCALE: 3/4" = 1'-0"

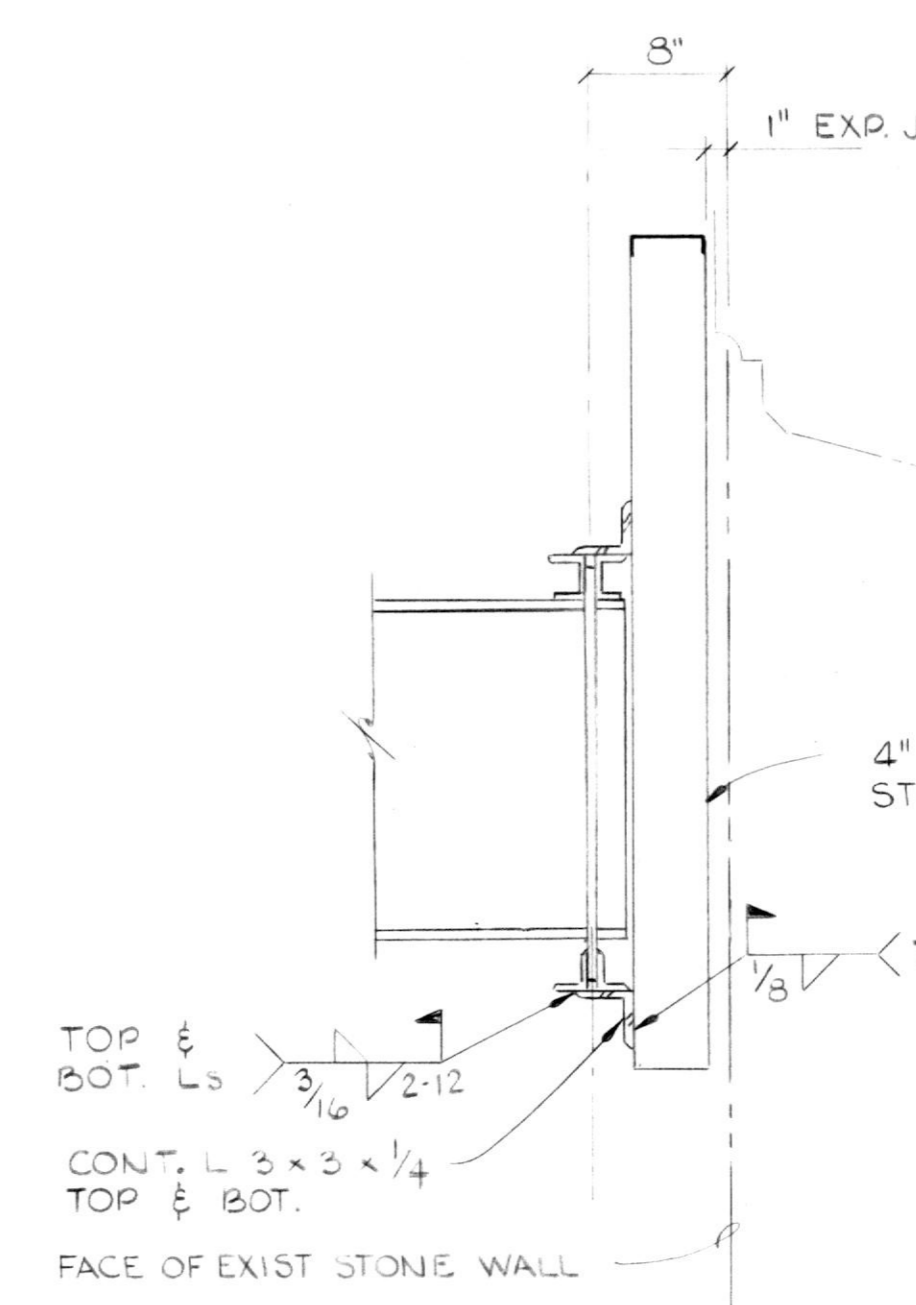


ROOF FRAMING PLAN
SCALE: 1/8" = 1'-0"

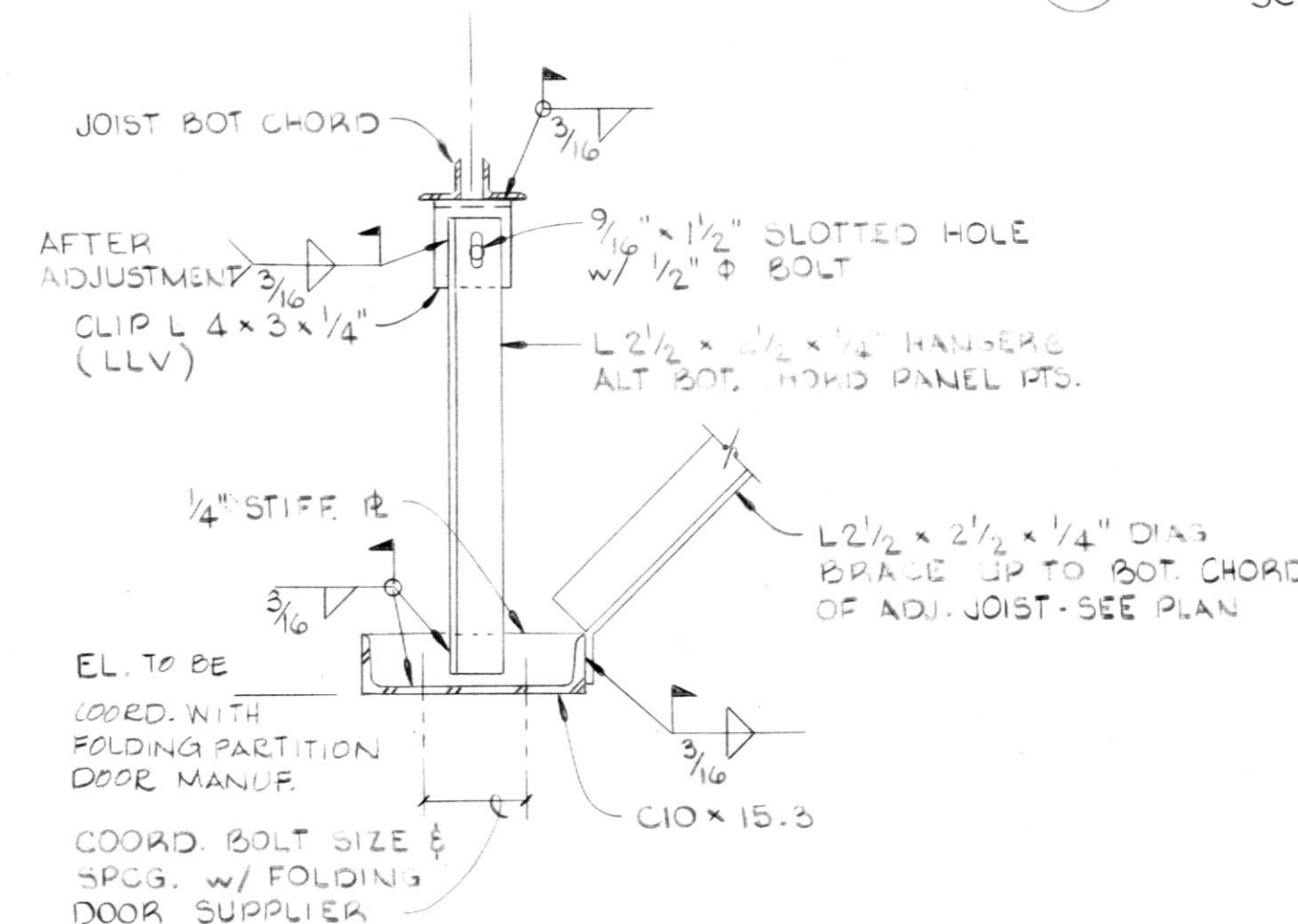
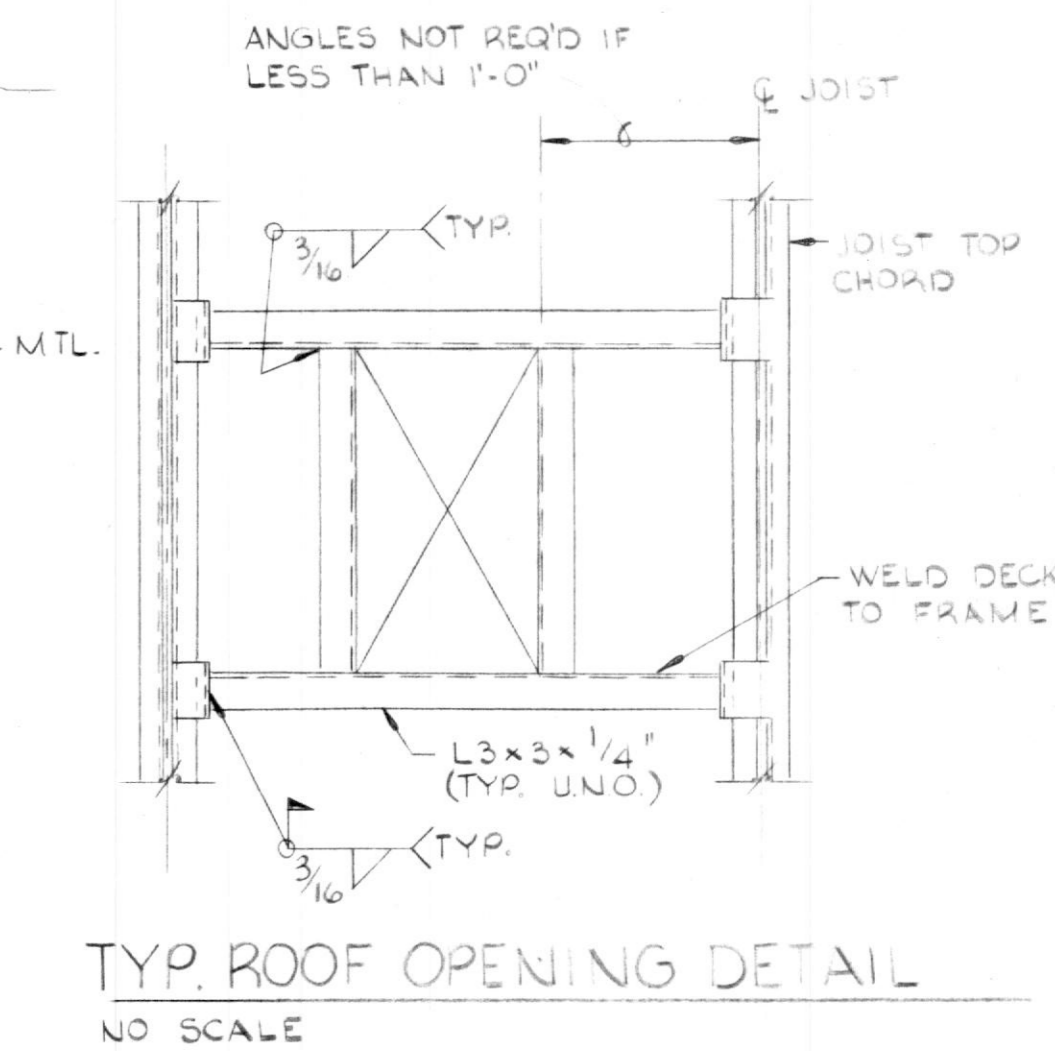
NOTES: 1. ROOF DECK 1/2" 22 GA WIDE R16 HOT DIPPED GALV.
2. RJ INDICATES REINFORCED JOIST - SEE 11/S2 & 12/S2



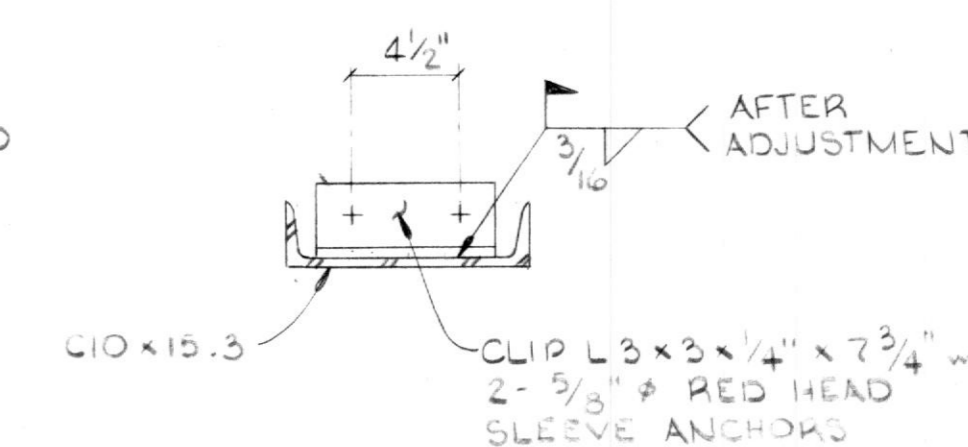
6 SECTION
SCALE: 3/4" = 1'-0"



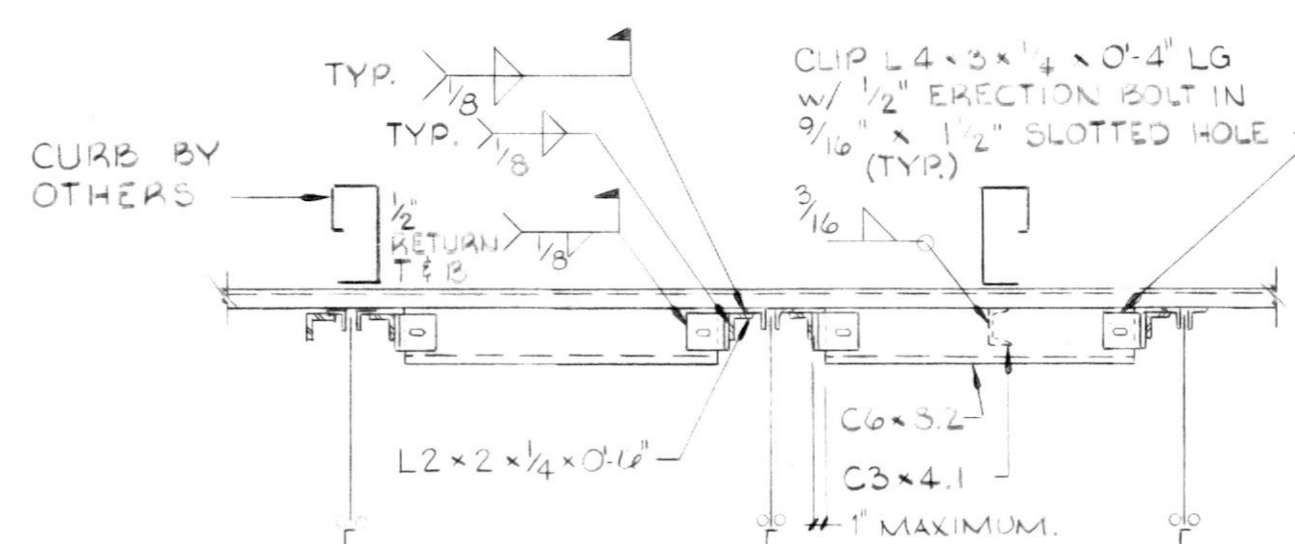
7 SECTION
SCALE: 1/2" = 1'-0"



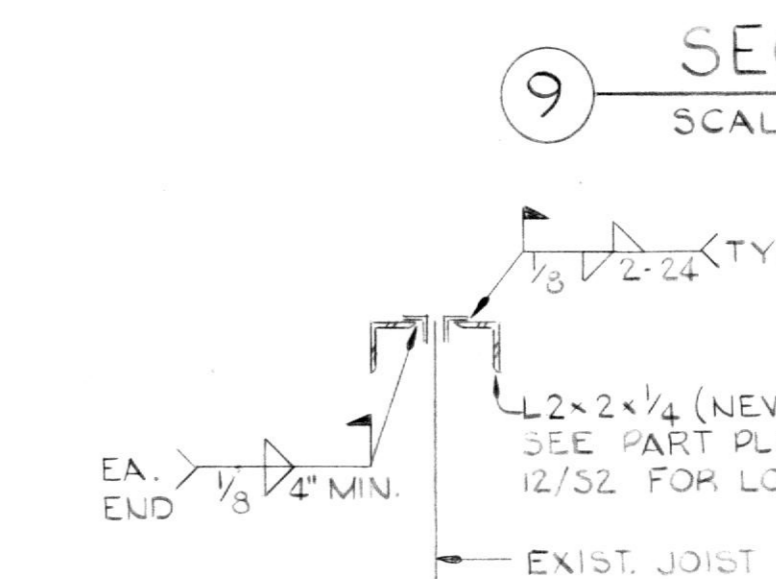
8 SECTION
SCALE: 1/2" = 1'-0"



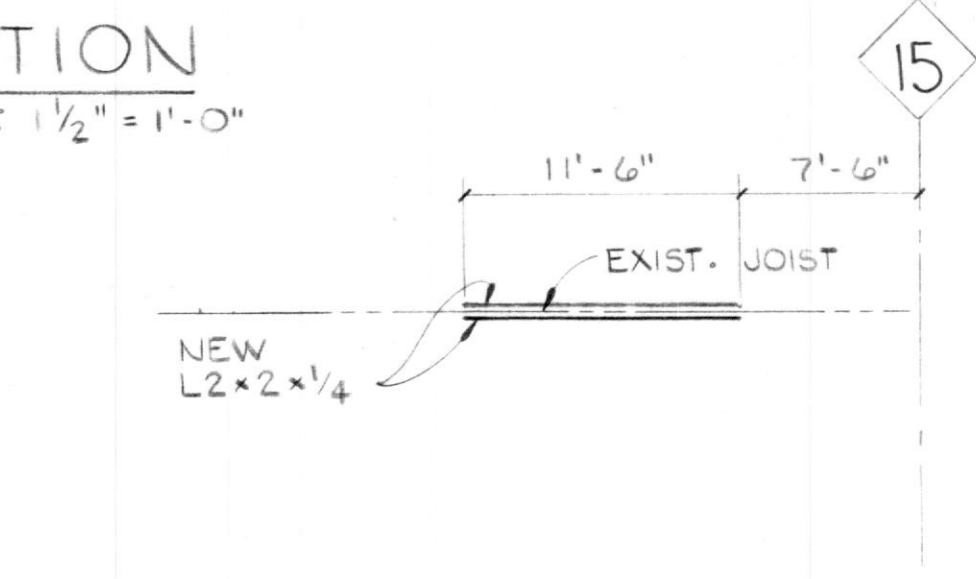
9 SECTION
SCALE: 1/2" = 1'-0"



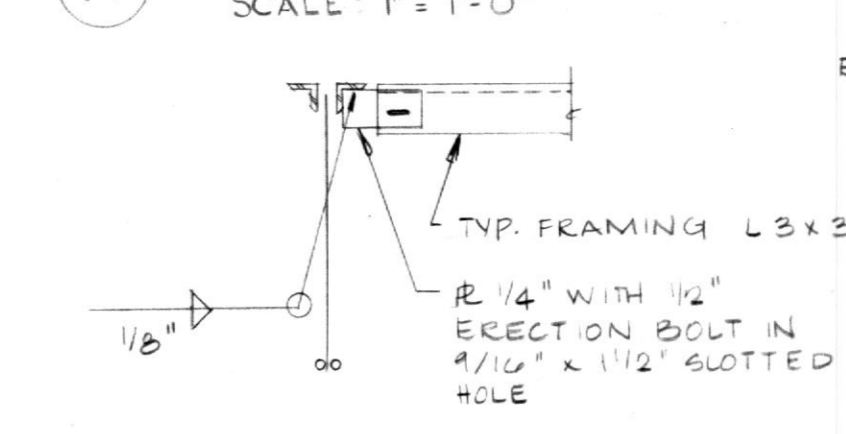
10 SECTION
SCALE: 3/4" = 1'-0"



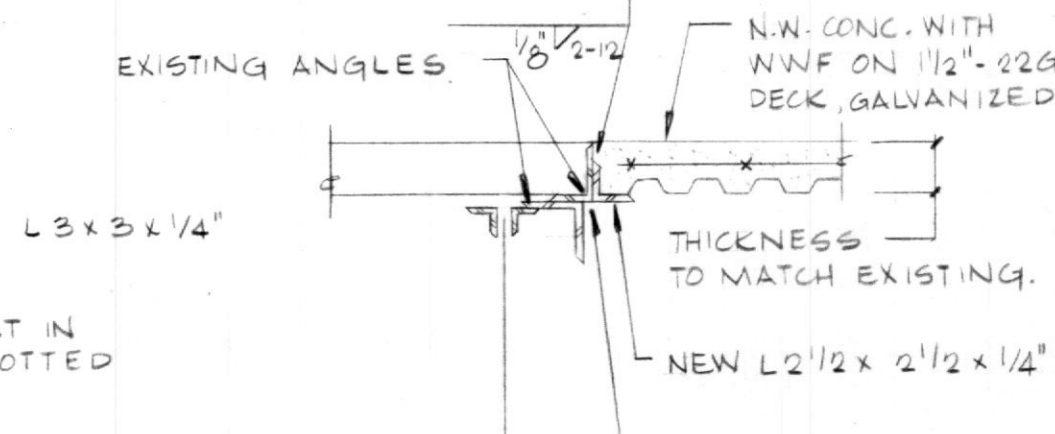
11 SECTION
SCALE: 1" = 1'-0"



12 PART PLAN AT REINF. JOIST
SCALE: 1/8" = 1'-0"



13 SECTION
SCALE: 1" = 1'-0"

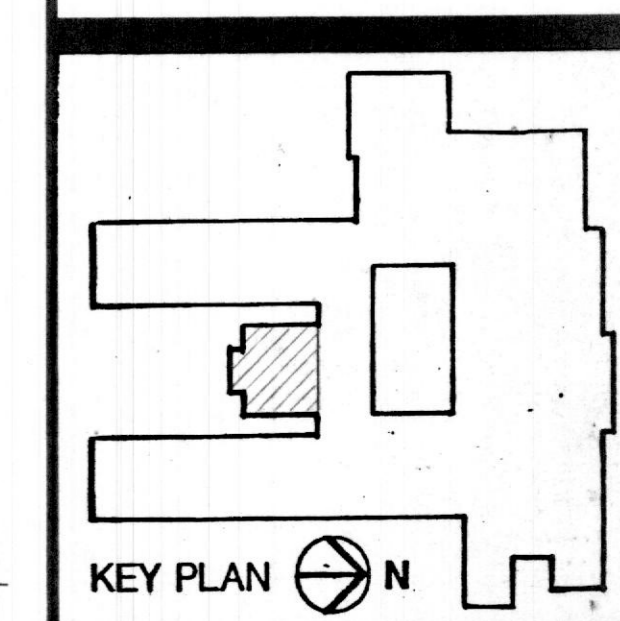


14 SECTION
SCALE: 1" = 1'-0"



810 Light Street Baltimore Maryland 21230

No.	Date	Description
REVISIONS		



Additions and Renovations to
NOTRE DAME PREPARATORY SCHOOL
Towson, Maryland

ROOF FRAMING PLAN & DETAILS

PROJ NO	DWG NO
DATE	S2
MAY 26, 1991	