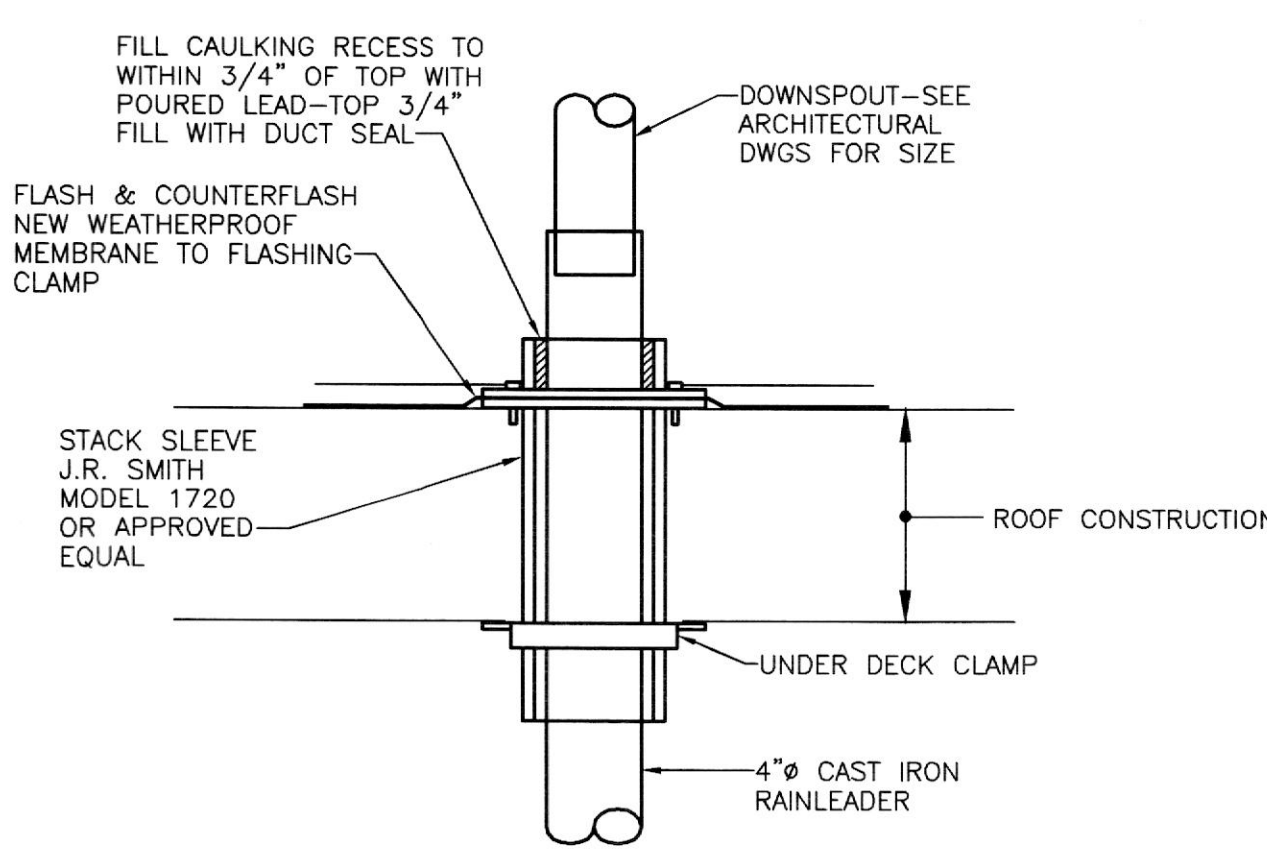


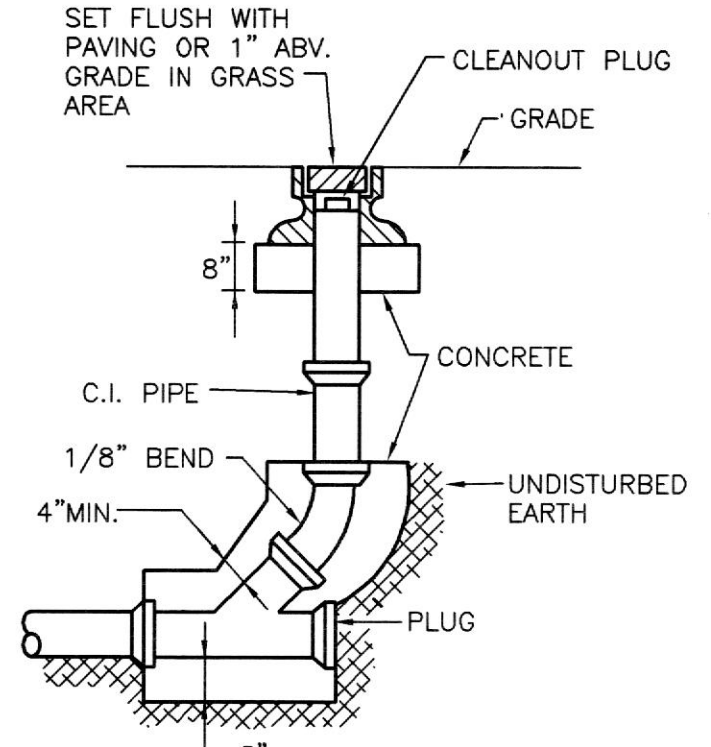
PART PLAN NO.2 - PLUMBING
SCALE: 1/4" = 1'-0"

DRAWING REFERENCE NOTES:

- ① 1 1/2" VENT UP & 1 1/2" SANITARY DOWN TO 3" SANITARY BELOW FLOOR
- ② 1 1/2" VENT UP & 1 1/2" SANITARY DOWN BELOW FLOOR
- ③ 1 1/2" VENT UP & 2" SANITARY DOWN TO 3" SANITARY BELOW FLOOR
- ④ TRAP PRIMER FITTING ON TAILPIECE OF WATER CLOSET SUPPLY
- ⑤ WATER HAMMER ARRESTOR P.D.I. "D"



DETAIL OF DOWNSPOUT THRU ROOF CONSTRUCTION
NO SCALE



EXTERIOR CLEANOUT
NO SCALE

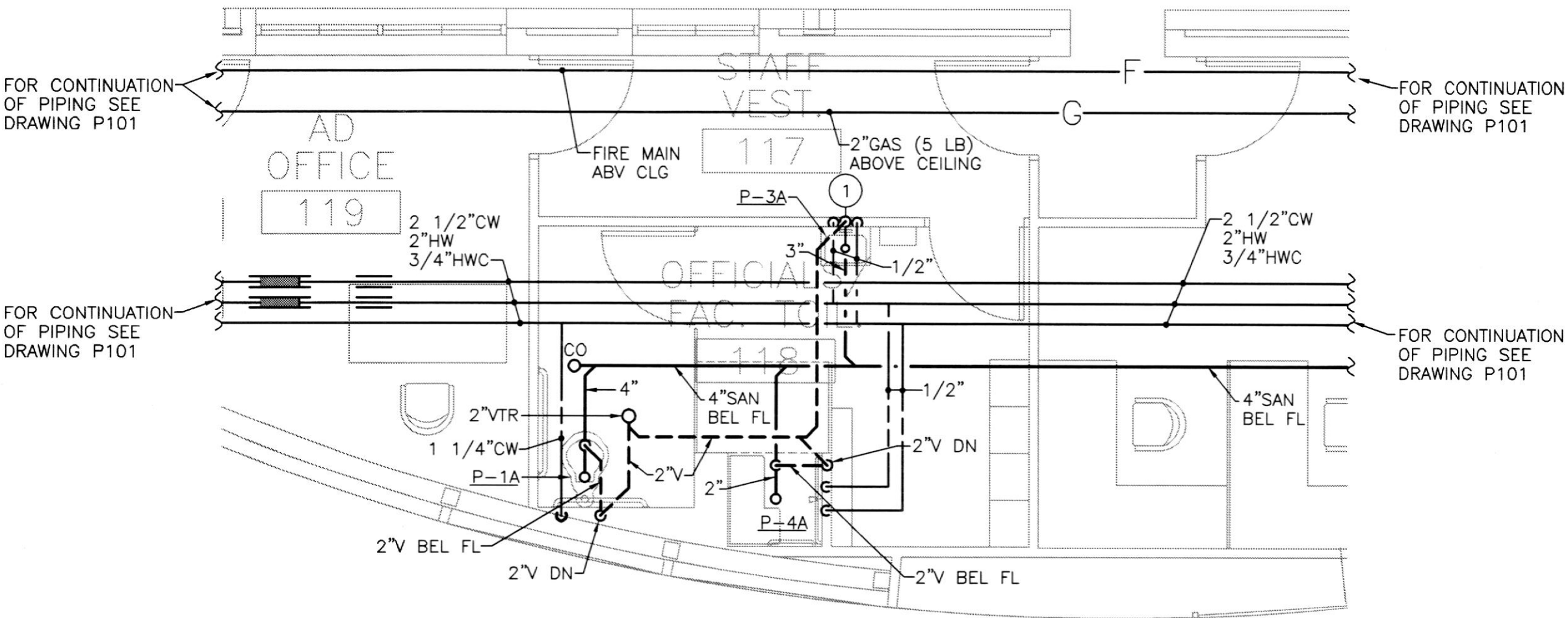
PLUMBING FIXTURE SCHEDULE

NO.	FIXTURE	C.W.	H.W.	W.	V.	REMARKS
P-1	WATER CLOSET	1 1/4"		4"		FLOOR MTD, FLOOR OUTLET FLUSH VALVE
P-1A	WATER CLOSET	1 1/4"		4"		FLOOR MTD, FLOOR OUTLET FLUSH VALVE, ACCESSIBLE
P-2	LAVATORY	1/2"	1/2"	1 1/2"	1 1/2"	COUNTERTOP
P-2A	LAVATORY	1/2"	1/2"	1 1/2"	1 1/2"	COUNTERTOP, ACCESSIBLE
P-3	LAVATORY	1/2"	1/2"	1 1/2"	1 1/2"	WALL HUNG
P-3A	LAVATORY	1/2"	1/2"	1 1/2"	1 1/2"	WALL HUNG, ACCESSIBLE
P-4	SHOWER	1/2"	1/2"	2"		
P-4A	SHOWER	1/2"	1/2"	2"		ACCESSIBLE
P-5	ELECTRIC WATER COOLER	1/2"		1 1/2"	1 1/2"	WALL HUNG, ACCESSIBLE
P-5A	DRINKING FOUNTAIN	1/2"		1 1/2"	1 1/2"	WALL HUNG, ACCESSIBLE
P-6	MOP BASIN	3/4"	3/4"	3"		
P-7	KITCHEN PREP SINK	1/2"	1/2"	1 1/2"	1 1/2"	COUNTERTOP, ACCESSIBLE
P-8	TRAINER SINK	1/2"	1/2"	1 1/2"	1 1/2"	COUNTERTOP, ACCESSIBLE
P-9	TRAINER HYDRO SINK	1/2"	1/2"	1 1/2"	1 1/2"	WALL HUNG, ACCESSIBLE
P-10	CLOTHES WASHER	1/2"	1/2"	2"	1 1/2"	VALVE BOX
P-11	URINAL	1"		2"	1 1/2"	
P-11A	URINAL	1"		2"	1 1/2"	ACCESSIBLE
P-12	HOSE BIBB	1/2"				INTERIOR
P-13	WALL HYDRANT	3/4"				EXTERIOR
P-13A	WALL HYDRANT	3/4"	3/4"			EXTERIOR
FD-1	FLOOR DRAIN			3"		TRAP PRIMER FITTING
FD-2	FLOOR DRAIN			4"		6" DEEP SEAL TRAP
RD-1	ROOF DRAIN					SEE PLANS FOR SIZE
RD-2	OVERFLOW ROOF DRAIN					SEE PLANS FOR SIZE

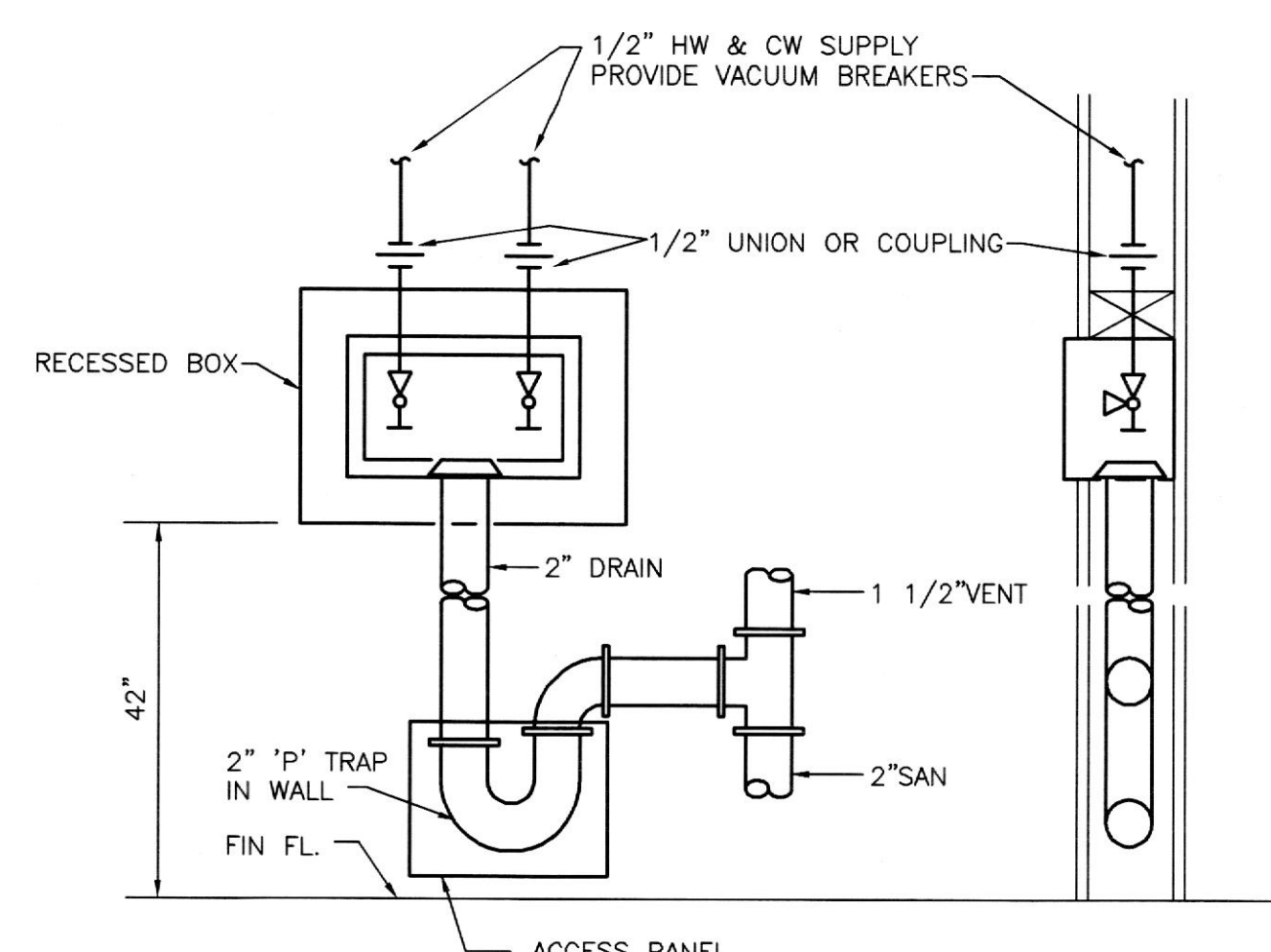
PLUMBING EQUIPMENT SCHEDULE

GAS FIRED HOT WATER HEATER
320 GALLONS STORAGE CAPACITY
1,992 GALLON PER HOUR RECOVERY AT 80°F TEMPERATURE RISE (40°-120°)
1,600,000 BTUH GAS INPUT
1/3 HP, 120V-16-60 HERTZ

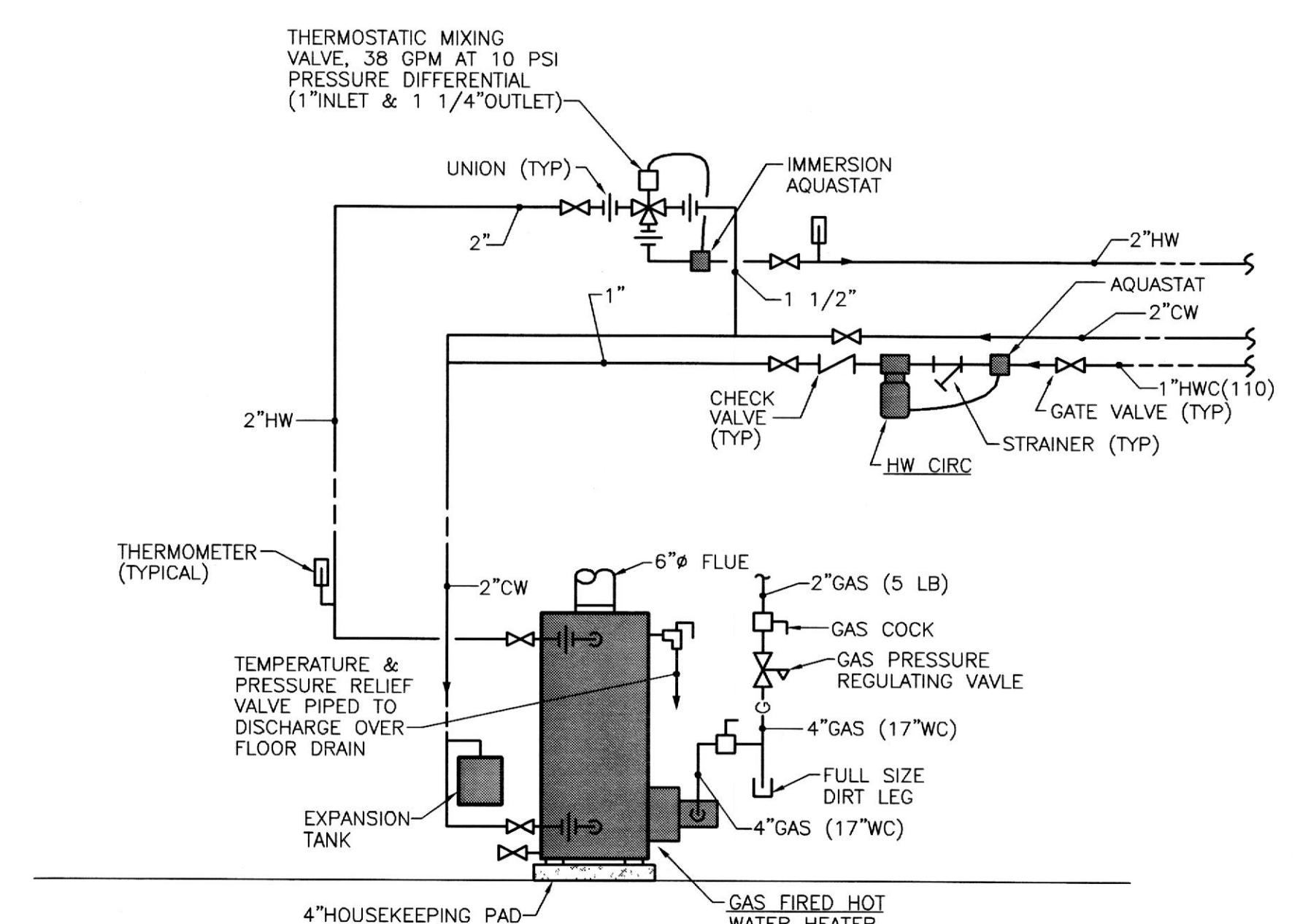
CIRCULATING PUMP
IN-LINE CIRCULATOR
20 GPM AT 35 FEET HEAD
1725 RPM, 1 HP
208V-3ø-60 HERTZ



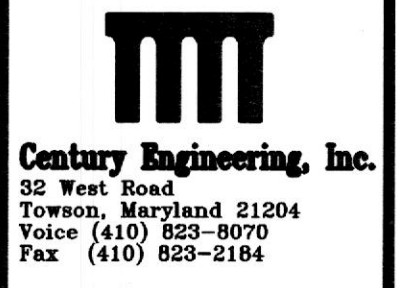
PART PLAN NO.3 - PLUMBING
SCALE: 1/4" = 1'-0"



CLOTHES WASHING (P-10) MACHINE CONNECTION DETAIL
NO SCALE



GAS FIRED HOT WATER HEATER
NO SCALE



SPORTS AND FITNESS CENTER
NOTRE DAME PREPARATORY SCHOOL
 815 HAMPTON LANE
 TOWSON, MARYLAND 21286

95% SUBMISSION

NO.	DESCRIPTION	DATE

LAST REV.:
PROJECT NO.: 02-037
DATE: 2-19-03
SCALE: AS NOTED
TITLE:
1/4" SCALE PART PLANS, SCHEDULES & DETAILS PLUMBING