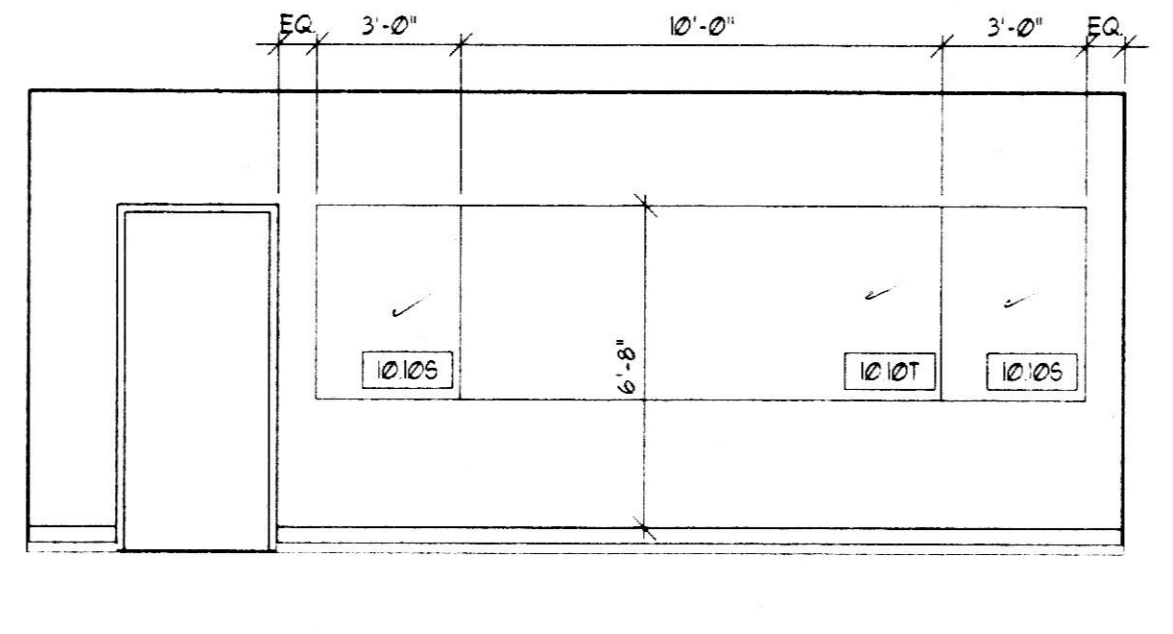
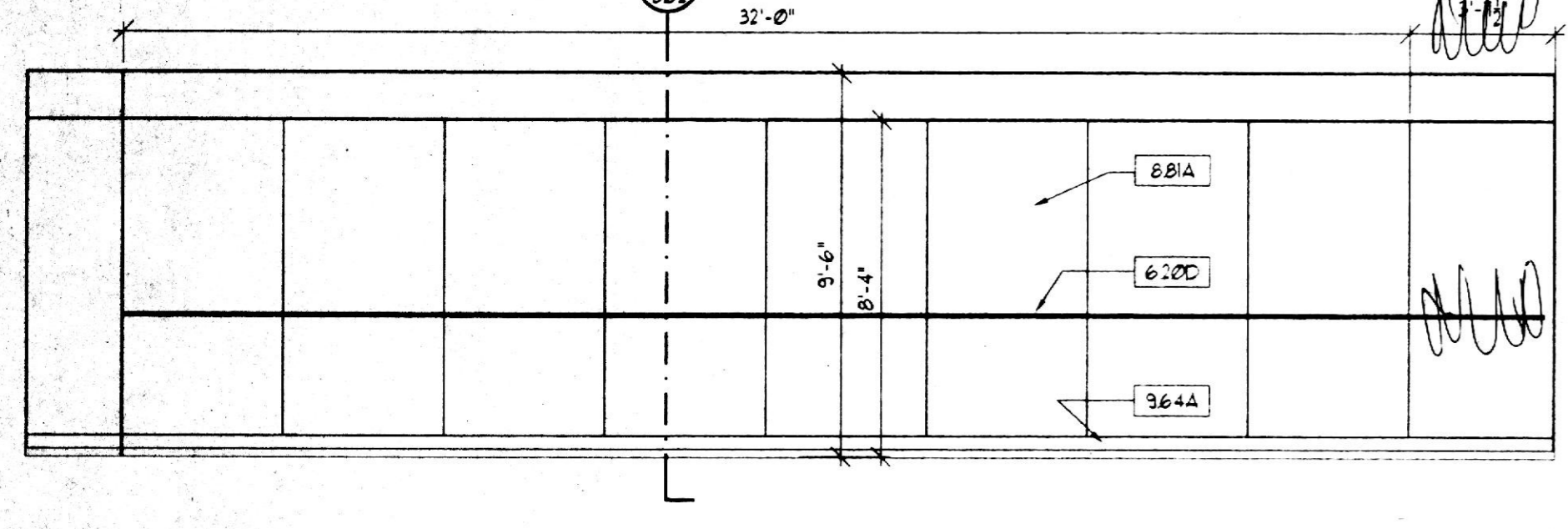


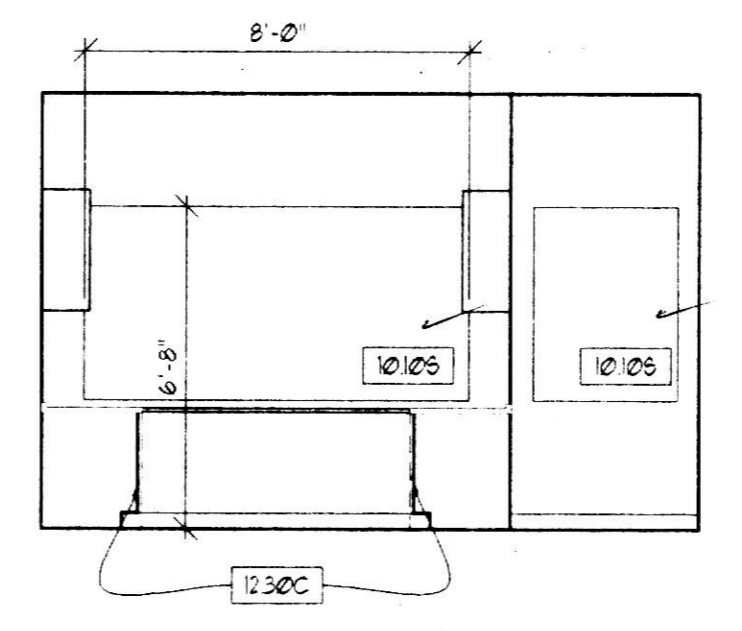
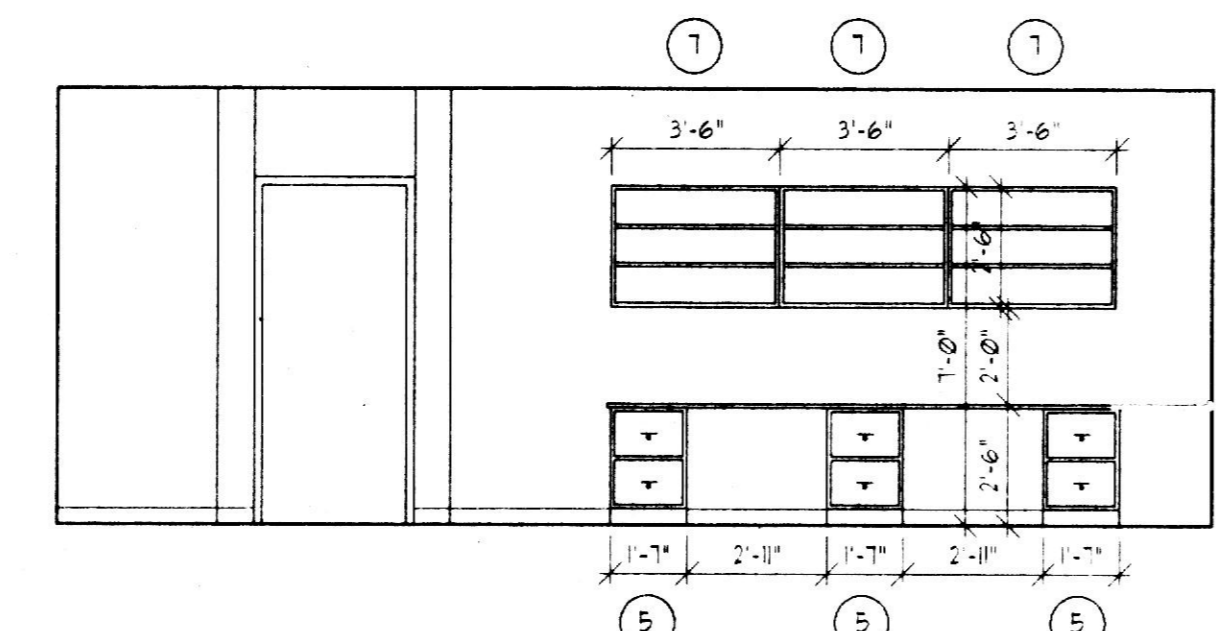
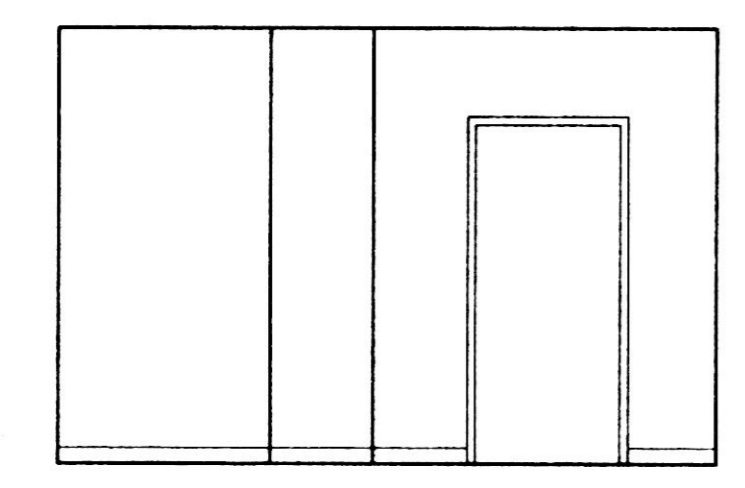
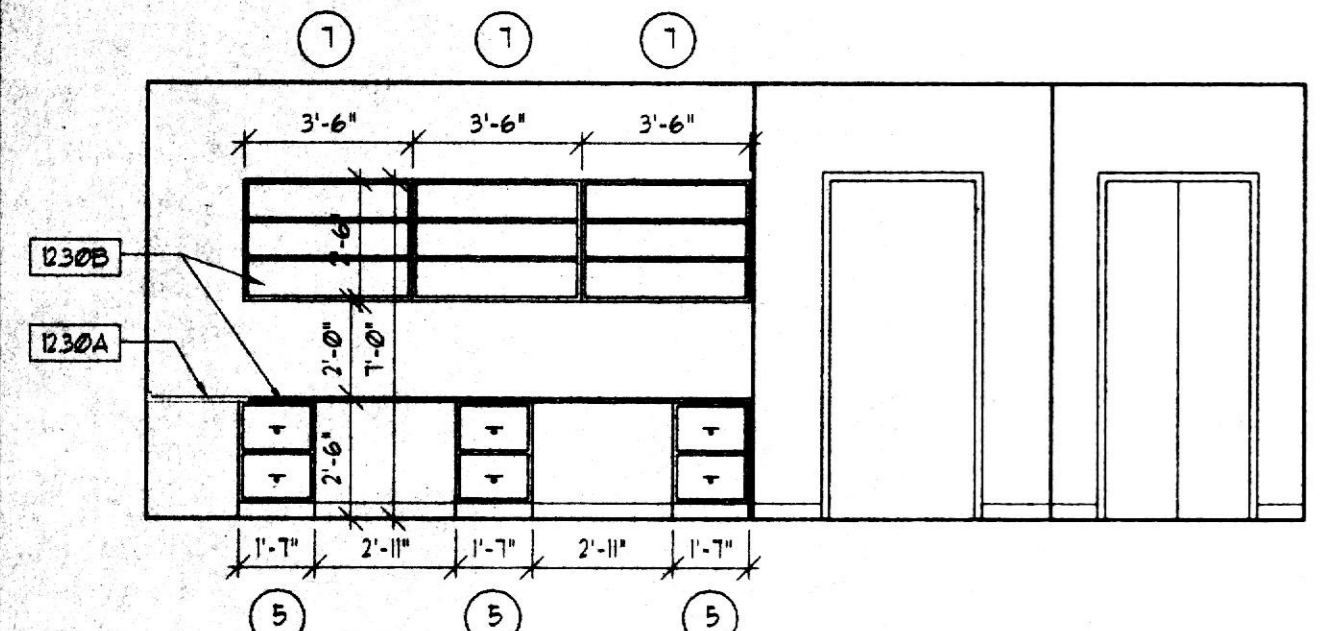
2A DANCE STUDIO EAST ELEVATION
1/4" = 1'-0"

2F DANCE STUDIO SOUTH ELEVATION
1/4" = 1'-0"



4A DANCE STUDIO WEST ELEVATION
1/4" = 1'-0"

4F DANCE STUDIO NORTH ELEVATION
1/4" = 1'-0"

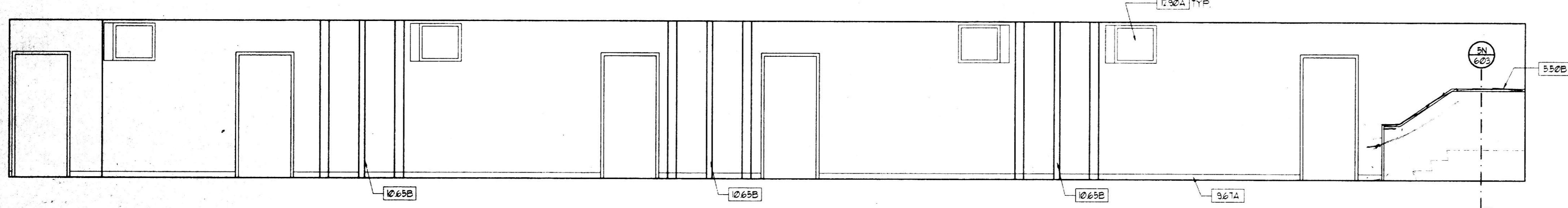


6A MUSIC OFFICE EAST ELEVATION
1/4" = 1'-0"

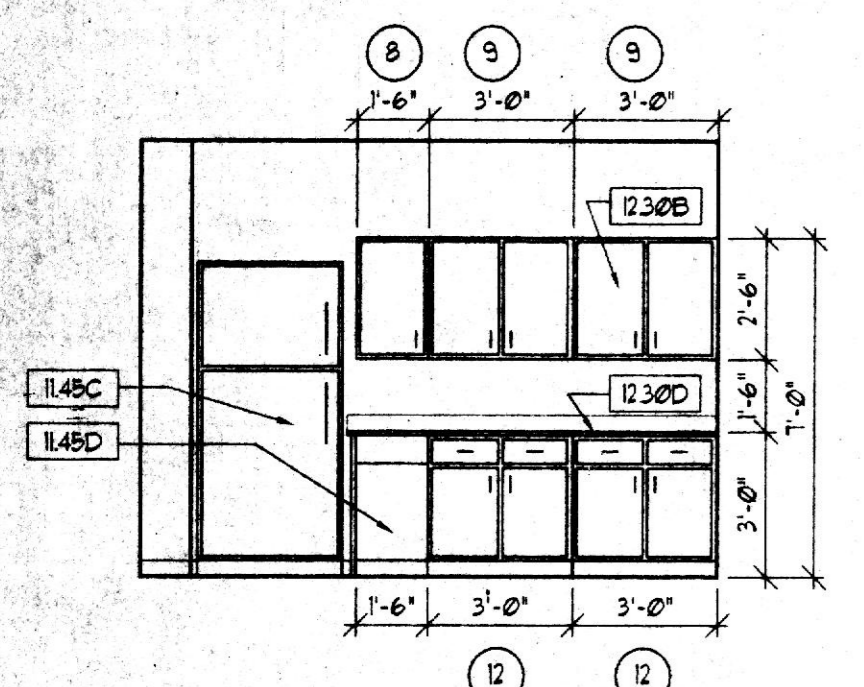
6D MUSIC OFFICE SOUTH ELEVATION
1/4" = 1'-0"

6F MUSIC OFFICE WEST ELEVATION
1/4" = 1'-0"

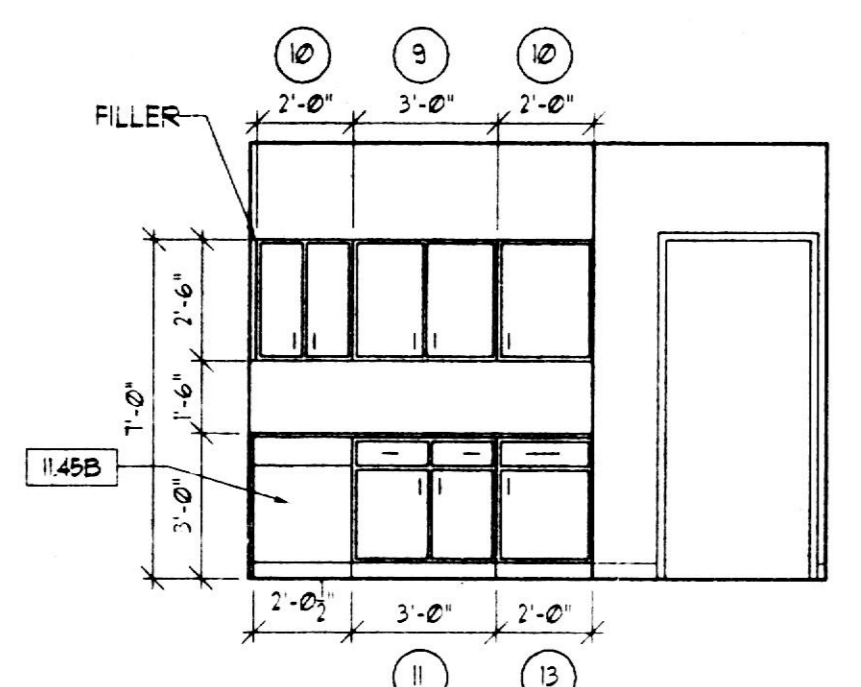
6K MUSIC OFFICE NORTH ELEVATION
1/4" = 1'-0"



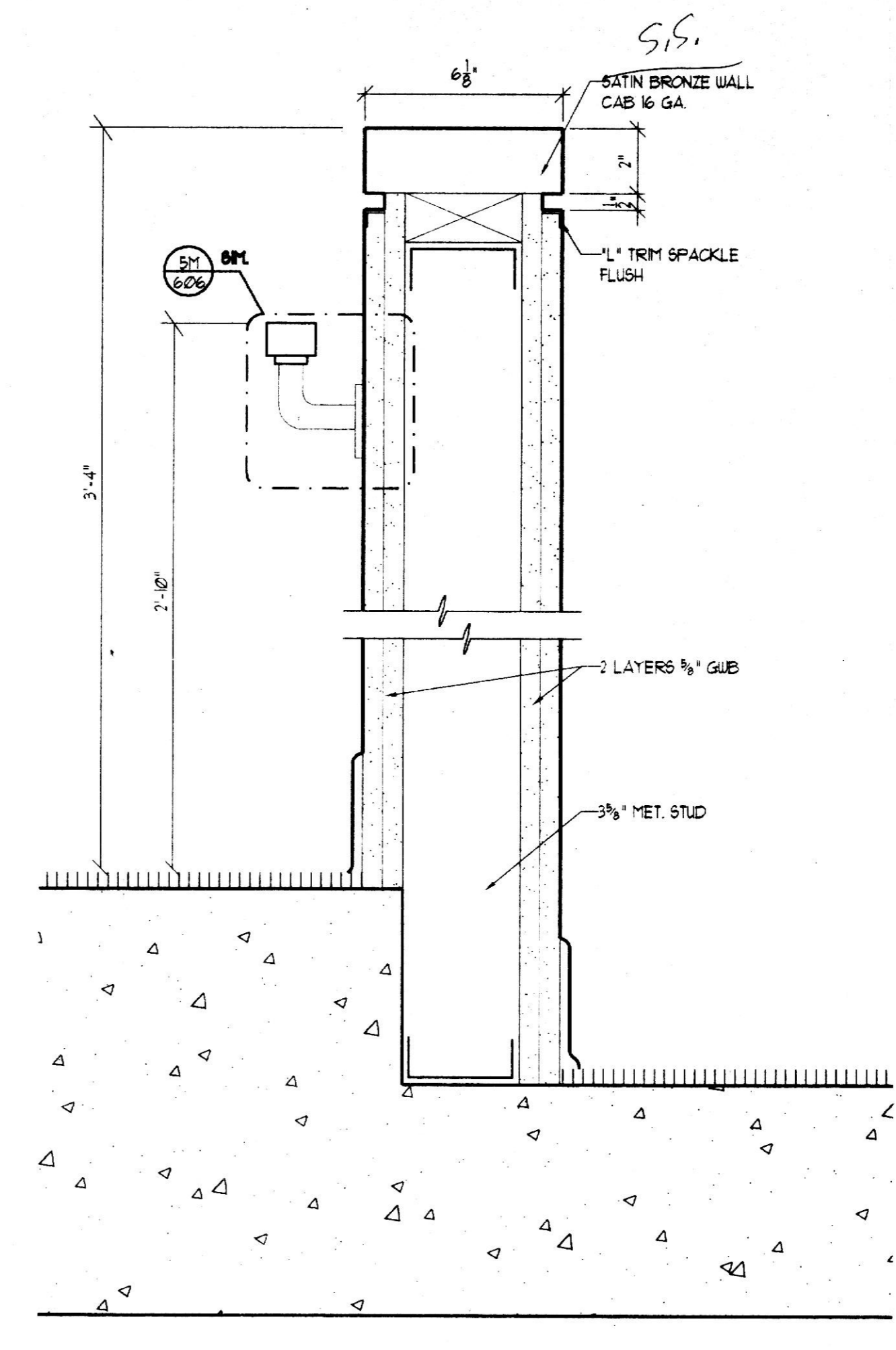
8A CONFERENCE ROOMS WEST ELEVATION
1/4" = 1'-0"



10A COFFEE ROOM WEST ELEVATION
1/4" = 1'-0"



10C COFFEE ROOM EAST ELEVATION
1/4" = 1'-0"



5N LOW WALL DETAIL
3/4" = 1'-0"

DRAWING NOTES

- 5.50A STAINLESS STEEL HANDRAIL
- 5.50B S.S. WALL CAP
- 6.20A 2X6 DRESSED BIRCH - STAINED TO MATCH DOORS
- 6.20B 6X6 BIRCH WOOD BASE
- 6.20C 1X6 BIRCH BASE
- 6.20D BALLET BARRE & BRACKET # 4'-0" MAX. MIRROR W/ S.S. J. CLIP # TOP & BOTTOM - POLISH EXPOSED END
- 8.81A MIRROR W/ S.S. J. CLIP # TOP & BOTTOM - POLISH EXPOSED END
- 10.125 VENTED BASE FOR WOOD FLOOR ASSEMBLY
- 10.107 VINYL COVE BASE
- 10.05 TACKSTRIP, TOP # 8'-4" AFF.
- 10.30C CHALKBOARD 4'-0" X 8'-0", TOP # 1'-4" AFF. UNO.
- 10.30D TACKBOARD
- 10.30E MARKERBOARD, TOP # 1'-4" AFF.
- 10.30F RECESSED DISPLAY CASE
- 10.30G 12" X 12" X 60" RECESSED METAL LOCKERS ON 4" CONC. CURB. PROVIDE TRIM PANELS AT ENDS AND TOP.
- 10.30H RECESSED FIRE EXTINGUISHER
- 10.30I MARKERBOARD 4'-0" X 4'-0" AS PART OF OPERABLE PANEL PARTITION
- 10.30J OPERABLE PARTITION
- 10.30K CYCLOTRAMA TRACK & CURTAIN
- 11.45A ALTERNATING TREAD DEVICE
- 11.45B DISHWASHER
- 11.45C REFRIGERATOR
- 11.45D ICEMAKER
- 13.30A 1/2" THICK COUNTERTOP WITH 4" BACKSPASH
- 13.30B INSTITUTIONAL CASEWORK
- 13.30C VERTICAL SUPPORT - FABRICATE TO MATCH CASEWORK
- 13.30D 1/2" THICK COUNTERTOP WITH 2" BACKSPASH
- 13.30E MINI-BLINDS
- 13.30F T.V. BRACKET
- 13.30G WATER COOLER - SEE MECH.
- 13.30H FLUORBING FIXTURE - SEE MECH.
- 13.30I PIPING - SEE MECH.
- 16.00A ELECTRIC PANELS
- 16.00C CLOCK - SEE ELEC. DUGS.

LEGEND

- (X) INDICATES REF. #
- (X) INSTITUTIONAL CASEWORK - SEE SPECIFICATION FOR MODEL NO.
- (X) INDICATES REF. #
- (X) METAL STORAGE SHELVING CABINETS - SEE SPEC.
- (I) LOCKABLE KEYED UNITS

INST. CASEWORK NOTES

- 1. EACH OFFICE CASEWORK TO BE KEYED ALIKE. (3 DISTINCT SYSTEMS)
- 2. ALL MATH CLASSROOMS TO BE KEYED ALIKE
- 3. ALL SOCIAL SCIENCE CLASSROOMS TO BE KEYED ALIKE.

PERFORMING ARTS AND CLASSROOM ADDITIONS
 NOTRE DAME PREPARATORY SCHOOL
 TOWSON, MARYLAND

REVISIONS:

NO.	DESCRIPTION	DATE

LAST REV.:
 PROJECT NO.: 98-033
 DATE: FEB. 16, 1999
 SCALE: AS NOTED
 TITLE: PERFORMING ARTS ADDITION INTERIOR ELEVATIONS AND DETAILS
 SHEET: I

603