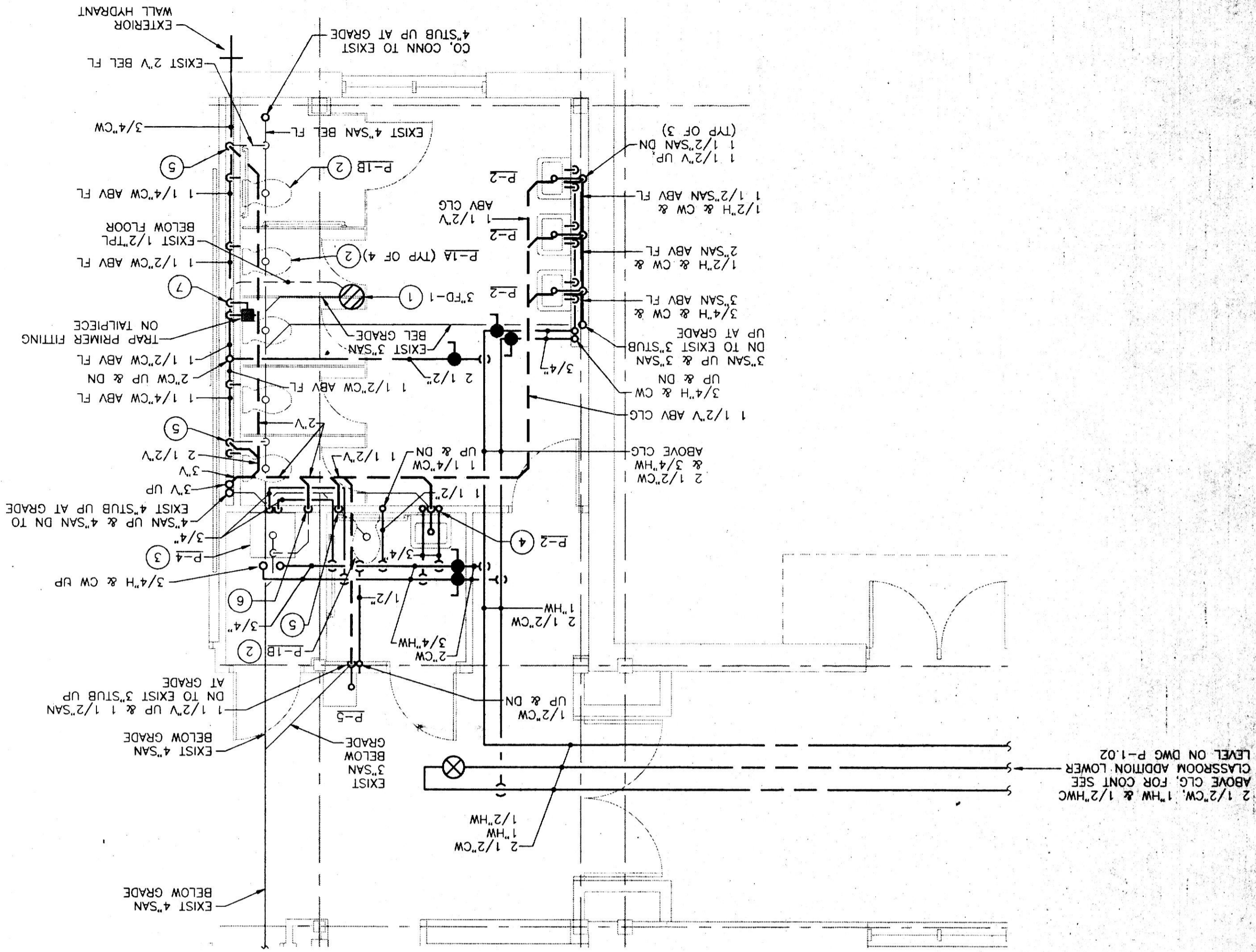
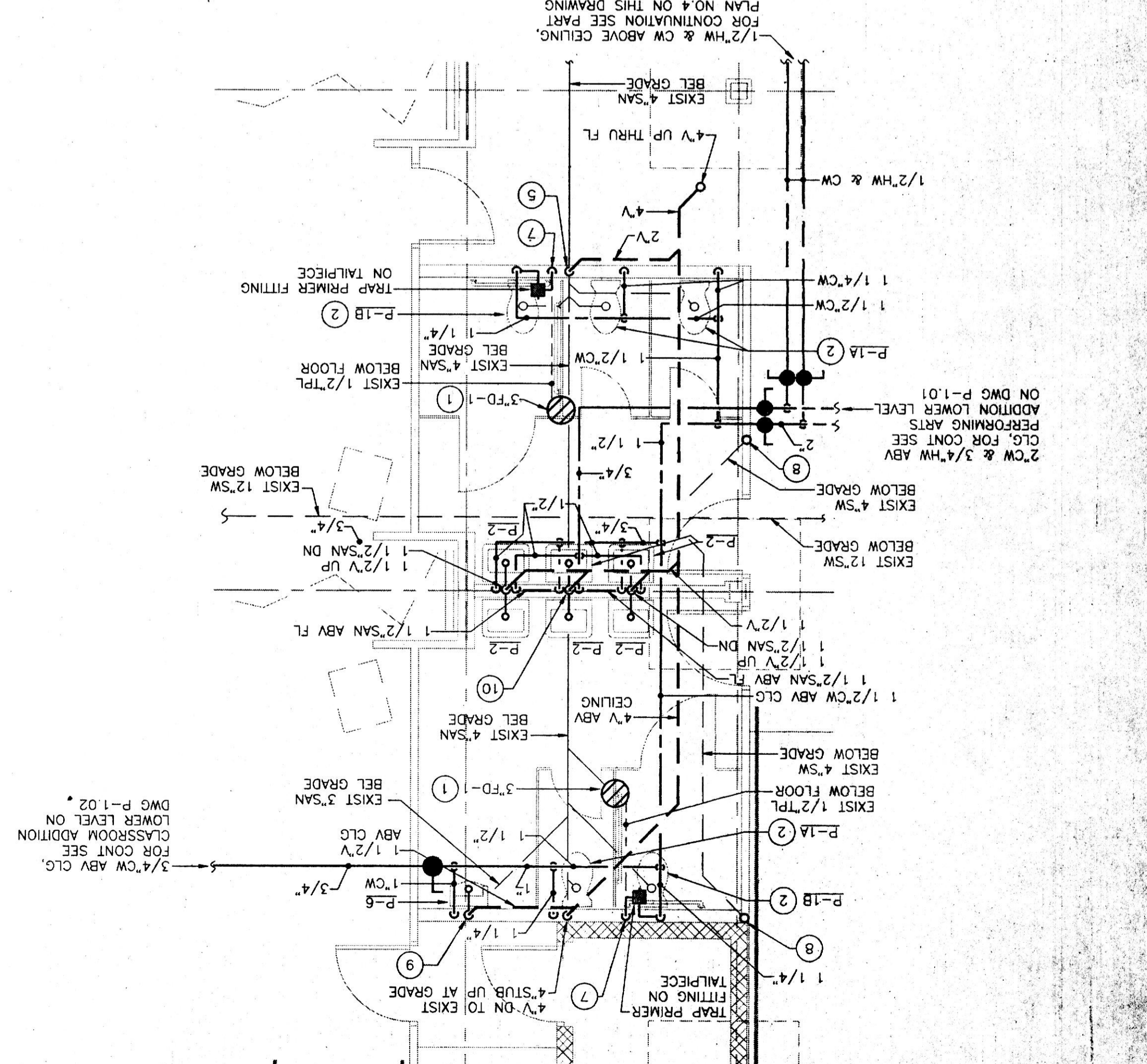


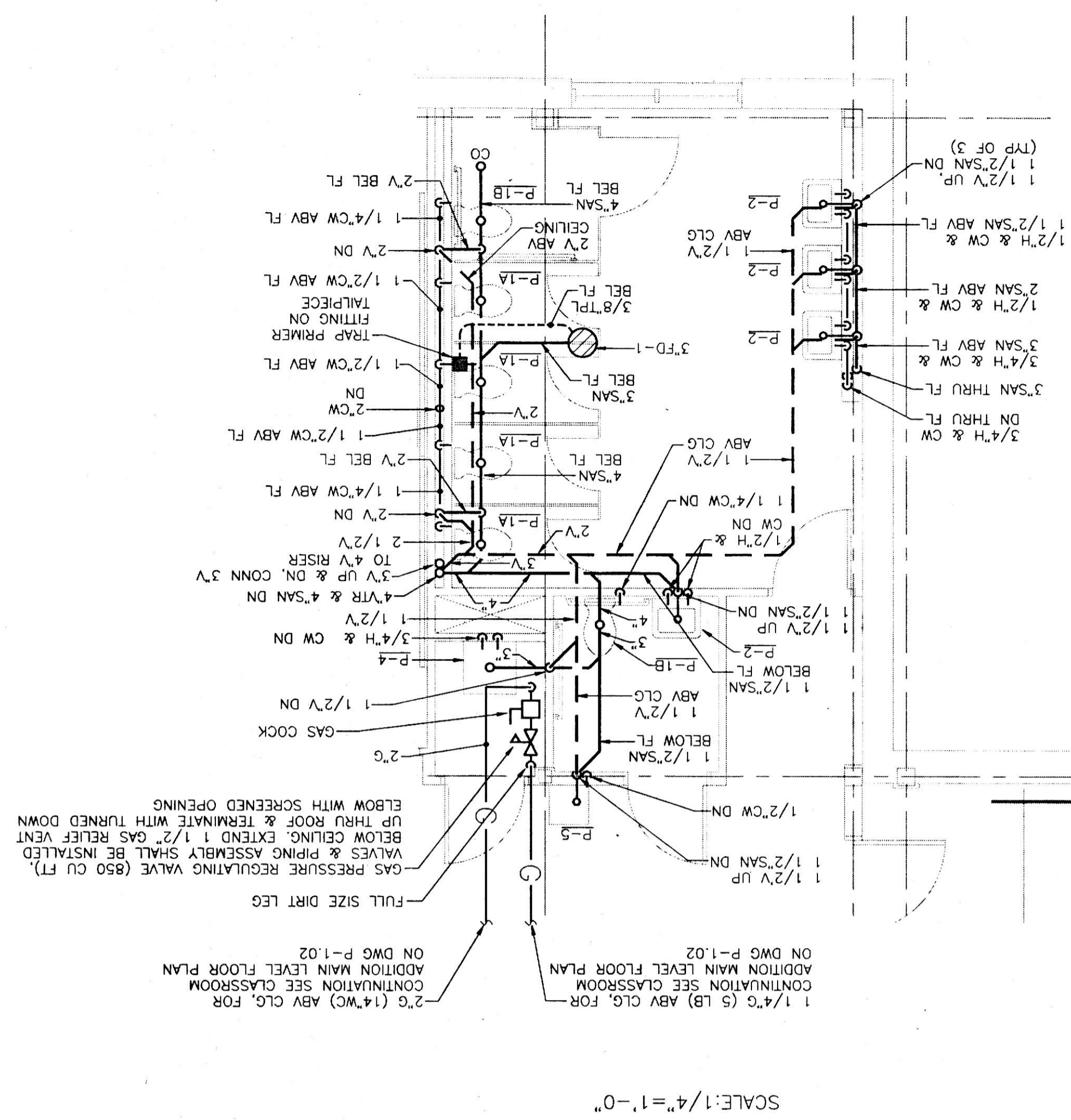
PART PLAN NO.2 - PLUMBING
CLASSROOM ADDITION - LOWER LEVEL



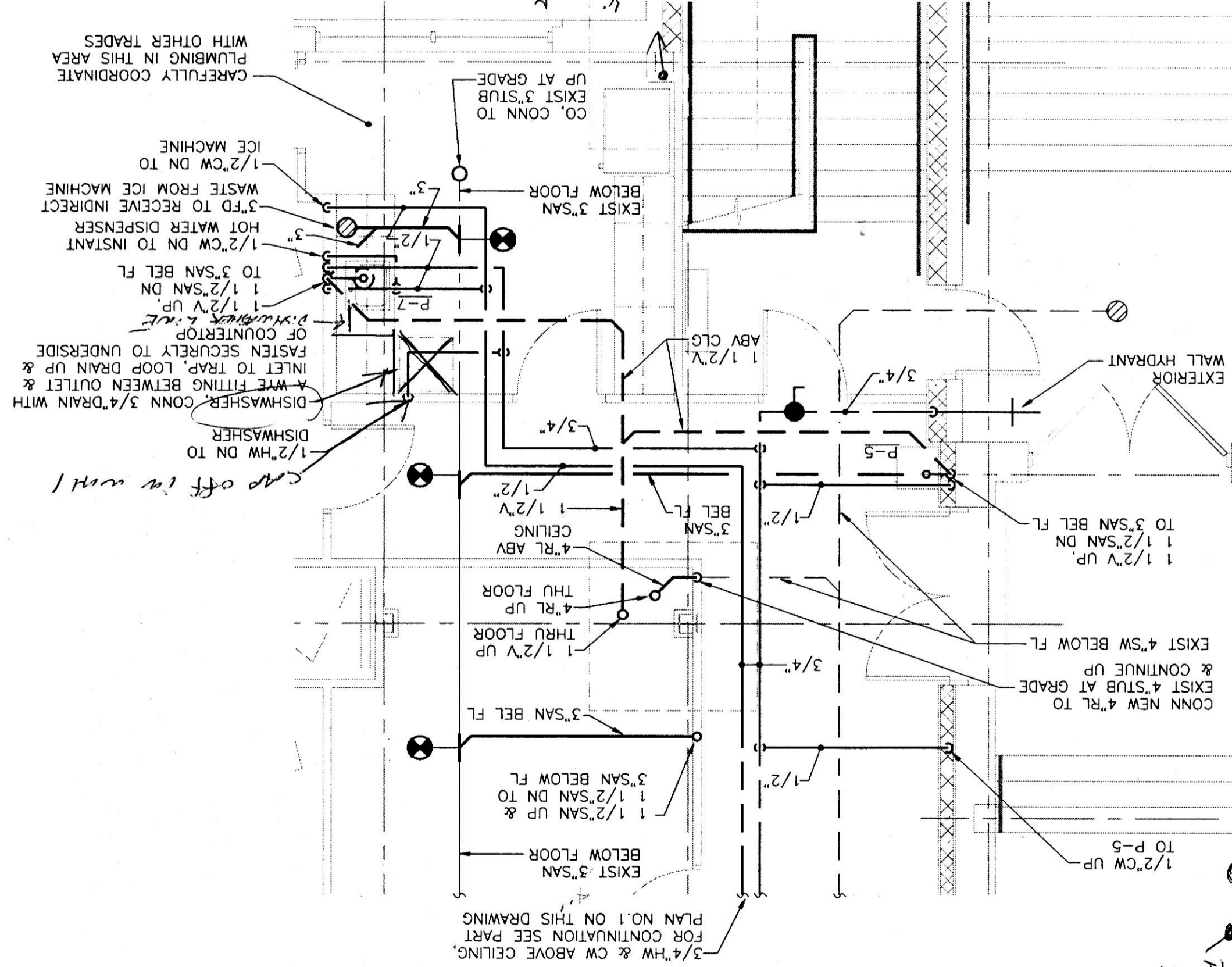
PART PLAN NO.1 - PLUMBING
PERFORMING ARTS ADDITION - LOWER LEVEL



PART PLAN NO.3 - PLUMBING
CLASSROOM ADDITION - MAIN LEVEL



PART PLAN NO.4 - PLUMBING
PERFORMING ARTS ADDITION - LOWER LEVEL



REFERENCE NOTE:

1. CONNECT 3/4\"/>
- 2. CONNECT WATER CLOSET WASTE OPENING TO EXIST 4\"/>
- 3. CONNECT MOP BASIN WASTE OPENING TO EXISTING 3\"/>
- 4. 1/2\"/>
- 5. 2\"/>
- 6. 1/2\"/>
- 7. 1/2\"/>
- 8. CONNECT 4\"/>
- 9. 1/2\"/>
- 10. 1/2\"/>

GENERAL NOTE:

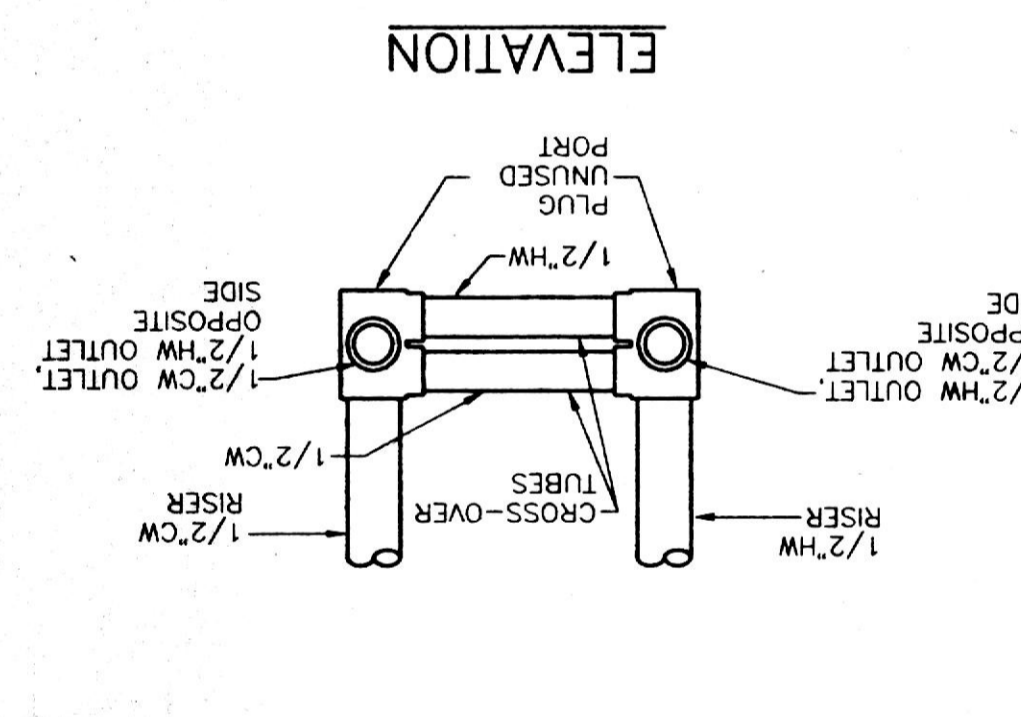
1. ALL REFERENCES OF NEW TO EXISTING CONNECTIONS AT BOILER ROOM REFER TO PLUMBING WORK & CONSTRUCTION UNDER PRIOR SHELL BID PACKAGE.
2. COORDINATE SPRINKLER SANITARY VENT, DOMESTIC WATER, GAS PIPING & RAINFALLER INSTALLATION WITH DUCTWORK PRIOR TO INSTALLATION DUE TO RESTRICTED CEILING SPACE.
3. THE CONTRACTORS MUST SUBMIT COORDINATION DRAWINGS DRAWN TO SCALE OF ALL SYSTEMS AS INDICATED WITHIN THE SEPARATIONS. THE DRAWINGS SHALL BE ON WATER REPRODUCIBLE MATERIAL. THE MECHANICAL SYSTEMS SHALL BE THE FIRST ITEM ARRANGED THEN THE ELECTRICAL WORK AND THEN THE FIRE PROTECTION DRAWINGS. THE COORDINATION DRAWINGS SHALL BE SUBMITTED TO THE ARCHITECT AND ENGINEER FOR GENERAL REVIEW.

PLUMBING FIXTURE SCHEDULE

NO.	FIGURE	C.W.	H.W.	W.	V.	REMARKS
P-1	WATER CLOSET	1/2"	1/2"	4"	4"	FLUSH TANK, FL. MTD. (1)
P-1A	WATER CLOSET	1 1/4"	-	4"	4"	FLUSH VALVE, FL. MTD.
P-1B	WATER CLOSET	1 1/4"	-	4"	4"	FLUSH VALVE, FL. MTD. HDGP.
P-2	LAVATORY	1/2"	1/2"	1 1/2"	1 1/2"	WALL MTD. HDGP. (1)
P-3	SHOWER	3/4"	3/4"	2"	-	-
P-4	MOP BASIN	3/4"	3/4"	2"	-	-
P-5	ELECTRIC WATER COOLER	1/2"	1/2"	1 1/2"	1 1/2"	HDGP.
P-6	URINAL	1"	-	2"	1 1/2"	HDGP.
P-7	COUNTERTOP SINK	1/2"	1/2"	1 1/2"	1 1/2"	HDGP.
FD-1	TOILET ROOM	-	-	3"	-	WITH TRAP PRIMER FITTING

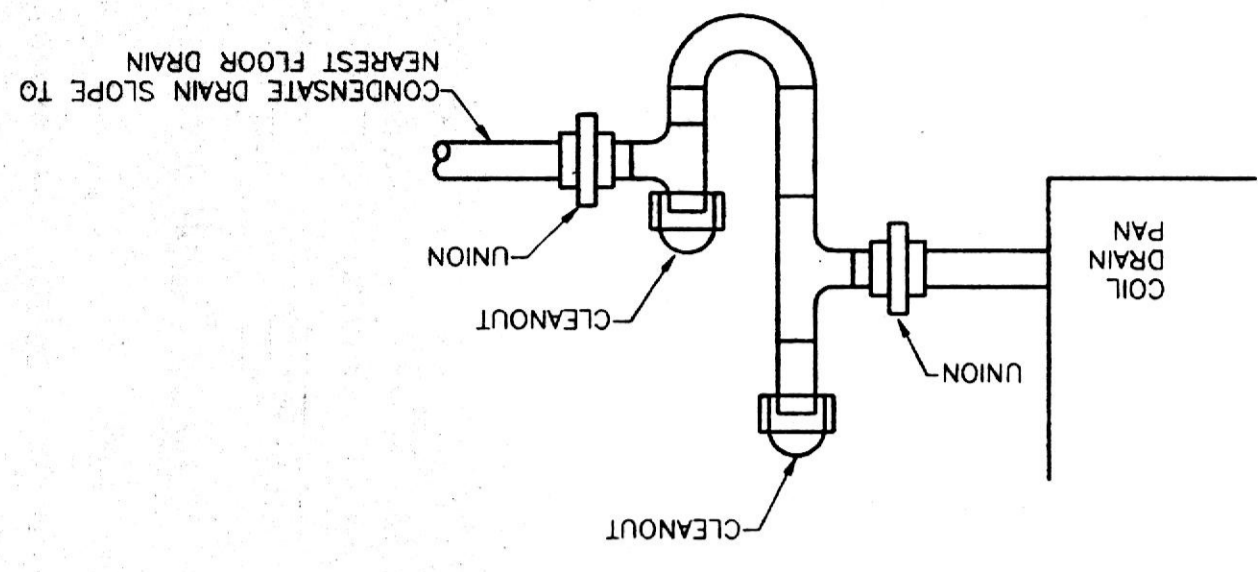
SPRINKLER NOTE:

1. ALL AREAS OF NEW PERFORMING ARTS ADDITION SHALL BE FULLY SPRINKLERED. SPRINKLER CLASSIFICATION TO BE "LIGHT HAZARD" CLASSROOM BUILDING TO NEW ADDITION. A CERTIFIED SPRINKLER CONTRACTOR SHALL PROVIDE HYDRAULIC CALCULATIONS AND SHOP DRAWINGS.
2. IN ADDITION TO NEW CONSTRUCTION THE FOLLOWING AREAS WITHIN THE EXISTING BUILDING SHALL BE SPRINKLERED. BOILER ROOM, POOL AREA INCLUDING AREA BELOW POOL, STUDENT LOUNGE (LOWER LEVEL), ADVANCE TO PERFORMING ARTS MUSIC OFFICES (MAIN LEVEL), ADVANCE TO PERFORMING ARTS (LOWER LEVEL), ADVANCE TO PERFORMING ARTS (UPPER LEVEL), CORRIDOR & STORAGE (MAIN LEVEL), ADVANCE TO DANCE STUDIO, & PERFORMING ARTS VESTIBULE (MAIN LEVEL).



BACK TO BACK MANIFOLD DETAIL

CONDENSATE DRAIN TRAP DETAIL



LAST REV. PROJECT NO. 98 DATE: FEB. 17, 1998 SCALE: AS SHOWN TITLE: PART 1/4\"/>

PERFORMING ARTS AND CLASSROOM ADDITIONS
NOTRE DAME PREPARATORY SCHOOL
TOWSON, MARYLAND

REBELLINE & ASSOCIATES, INC.
ARCHITECTURAL DESIGN
INTERIOR DESIGN
TOWSON, MARYLAND 21286
PHONE: 410-287-8888
FAX: 410-287-8899
MECHANICAL ELECTRICAL ENGINEERING
CENTURY 21 REAL ESTATE
TOWSON, MARYLAND 21286
(410) 862-8000