

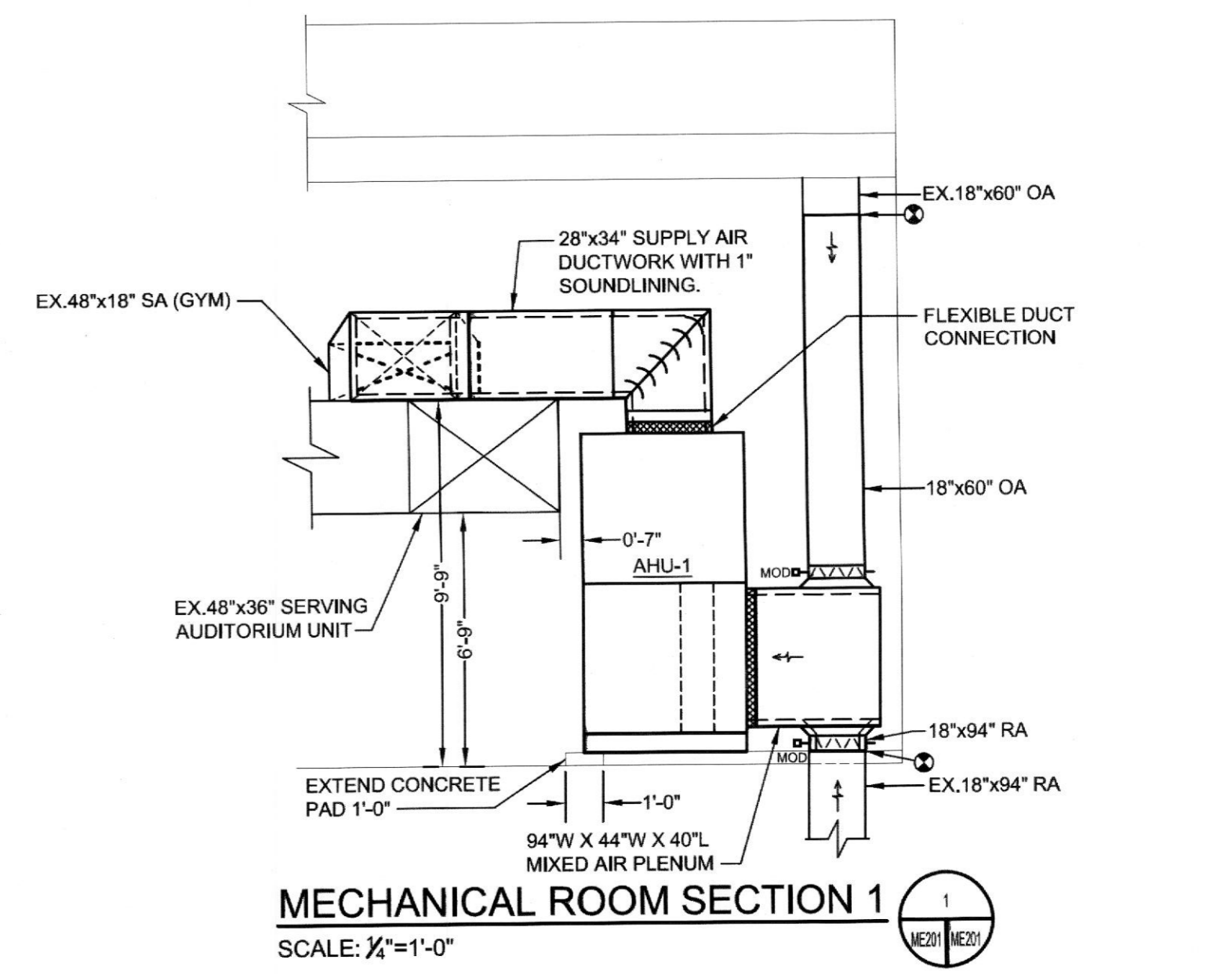
SECOND FLOOR PART PLAN - EXISTING CONDITIONS & NEW WORK
SCALE: 1/4"=1'-0"

MECHANICAL DRAWING NOTES

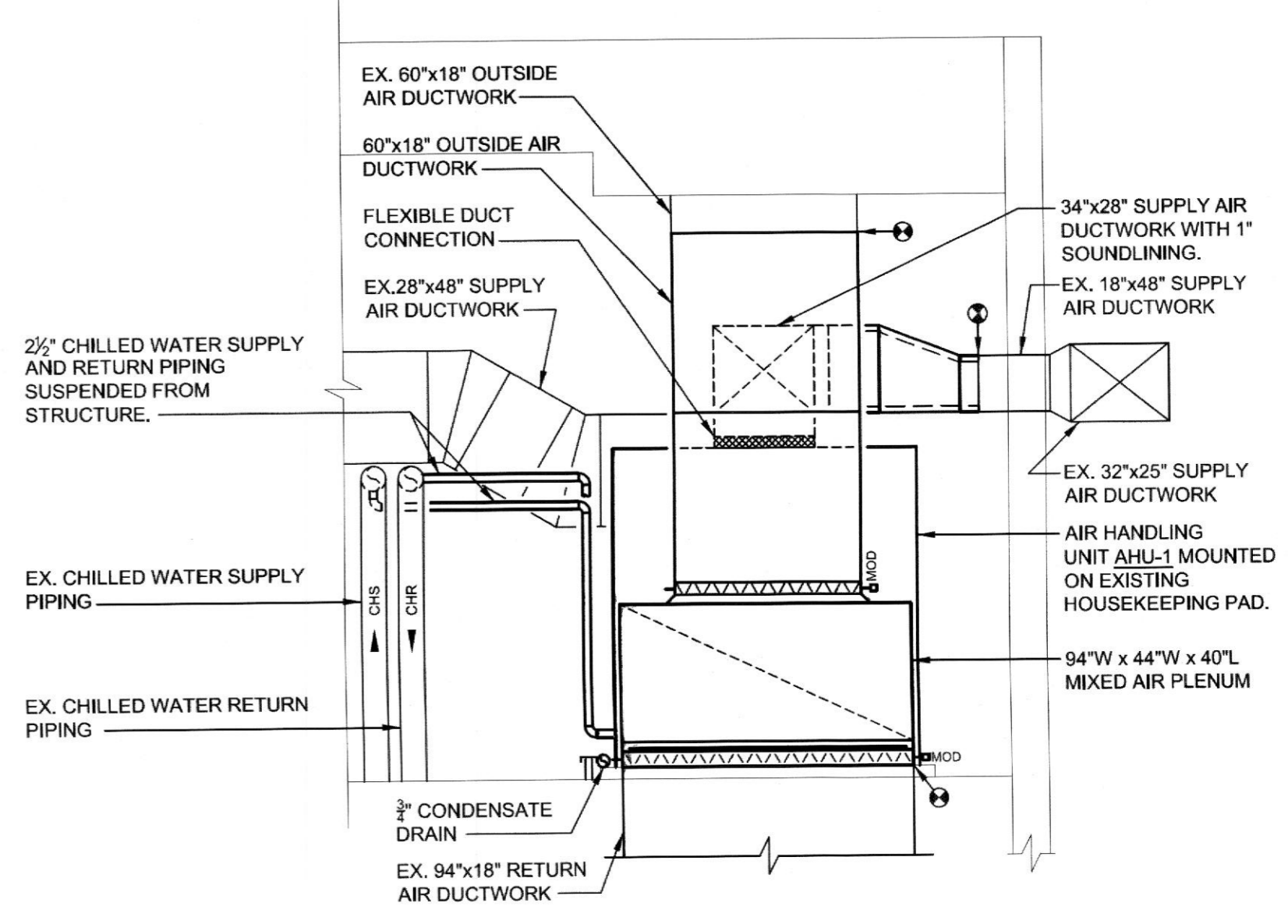
- EXISTING SUPPLY AIR DUCTWORK SUSPENDED FROM STRUCTURE TO REMAIN. REFER TO GENERAL NOTE NO. 3, FOR ADDITIONAL INFORMATION.
- EXISTING RETURN AIR DUCTWORK SUSPENDED FROM STRUCTURE TO REMAIN.
- EXISTING OUTSIDE AIR DUCTWORK MOUNTED ON FLOOR TO REMAIN.
- EXISTING EXHAUST AIR DUCTWORK SUSPENDED FROM STRUCTURE TO REMAIN.
- EXISTING SUPPLY AIR DUCTWORK DOWN TO AIR HANDLING UNIT TO REMAIN.
- EXISTING RETURN AIR DUCTWORK DOWN TO AIR HANDLING UNIT TO REMAIN.
- EXISTING RETURN AIR DUCTWORK DOWN TO FIRST FLOOR CEILING BELOW TO REMAIN.
- EXISTING OUTSIDE AIR DUCTWORK DOWN TO PLENUM TO REMAIN.
- EXISTING EXHAUST AIR DUCTWORK DOWN THROUGH SLAB TO REMAIN.
- EXISTING OUTSIDE AIR LOUVER TO REMAIN.
- EXISTING RELIEF AIR LOUVER TO REMAIN.
- EXISTING EXHAUST LOUVER TO REMAIN.
- EXISTING VALVE IN VERTICAL TO REMAIN.
- EXISTING AIR HANDLING UNIT H&V#2 SERVING AUDITORIUM MOUNTED ON 4" HOUSEKEEPING PAD TO REMAIN.
- EXISTING EXHAUST FAN SUSPENDED FROM STRUCTURE TO REMAIN.
- EXISTING VOLUME DAMPER TO REMAIN.
- EXISTING CHILLED WATER SUPPLY PIPING SUSPENDED FROM STRUCTURE TO REMAIN. REFER TO GENERAL NOTE NO. 3, FOR ADDITIONAL INFORMATION.
- EXISTING CHILLED WATER RETURN PIPING SUSPENDED FROM STRUCTURE TO REMAIN.
- EXISTING CHILLED WATER SUPPLY AND RETURN PIPING DOWN THROUGH SLAB TO REMAIN.
- EXISTING CHILLED WATER SUPPLY AND RETURN PIPING DOWN TO AIR HANDLING UNIT H&V#2 TO REMAIN.
- DOUBLE DEFLECTION SUPPLY AIR REGISTER WITH NECK SIZE AND AIR VOLUME INDICATED.
- SUPPLY AIR DUCTWORK WITH 1" SOUNDLINING SUSPENDED FROM STRUCTURE. CONNECT TO EXISTING SUPPLY AIR DUCTWORK WHERE INDICATED.
- SUPPLY AIR DUCTWORK WITH 1" SOUNDLINING DOWN TO AIR HANDLING UNIT. PROVIDE A FLEXIBLE DUCT CONNECTION AT UNIT CONNECTION.
- RETURN AIR DUCTWORK DOWN. CONNECT TO EXISTING RETURN AIR DUCTWORK AT PENETRATION OF SLAB. REFER TO SECTIONS ON THIS SHEET FOR ADDITIONAL INFORMATION.
- 94" W x 44" H x 40" L MIXED AIR PLENUM.
- EXTEND OUTSIDE AIR DUCTWORK UP. CONNECT TO EXISTING OUTSIDE AIR DUCTWORK WHERE INDICATED. REFER TO SECTIONS ON THIS SHEET FOR ADDITIONAL INFORMATION.
- AIR HANDLING UNIT AHU-1: SERVING GYMNASIUM MOUNTED ON EXISTING 4" HOUSEKEEPING PAD. EXTEND HOUSEKEEPING PAD 1'-0" IN DIRECTION INDICATED. REFER TO SECTIONS ON THIS SHEET AND SCHEDULE ON SHEET ME301.
- CHILLED WATER SUPPLY PIPING SUSPENDED FROM STRUCTURE. CONNECT TO EXISTING CHILLED WATER SUPPLY PIPING AS INDICATED.
- CHILLED WATER RETURN PIPING SUSPENDED FROM STRUCTURE. CONNECT TO EXISTING CHILLED WATER RETURN PIPING AS INDICATED.
- CHILLED WATER SUPPLY AND RETURN PIPING DOWN TO AIR HANDLING UNIT AHU-1. REFER TO DETAIL ON SHEET ME301 FOR VALVE CONFIGURATION.
- FLEXIBLE DUCT CONNECTION.
- TWO WAY CONTROL VALVE.
- BALL VALVE.
- MOTOR OPERATED DAMPER.
- MOTOR OPERATED RELIEF AIR DAMPER. REFER TO CONTROL DIAGRAM ON SHEET ME301 FOR ADDITIONAL INFORMATION.
- 3/4" CONDENSATE DRAIN PIPING MOUNTED ON FLOOR.
- 3/4" CONDENSATE DRAIN PIPING MOUNTED ON ROOF. ROUTE TO NEAREST ROOF DRAIN.
- WATERTIGHT PIPE SLEEVE.
- HORIZONTAL CLEANOUT.
- CARBON DIOXIDE SENSOR (CO₂) SENSOR MOUNTED IN RETURN AIR DUCTWORK. REFER TO CONTROL DIAGRAM ON SHEET ME302 FOR ADDITIONAL INFORMATION.
- IN LINE FREEZE PROTECTION PUMP SUSPENDED FROM STRUCTURE. REFER TO DETAIL AND SCHEDULE ON SHEET ME301.

ELECTRICAL DRAWING NOTES

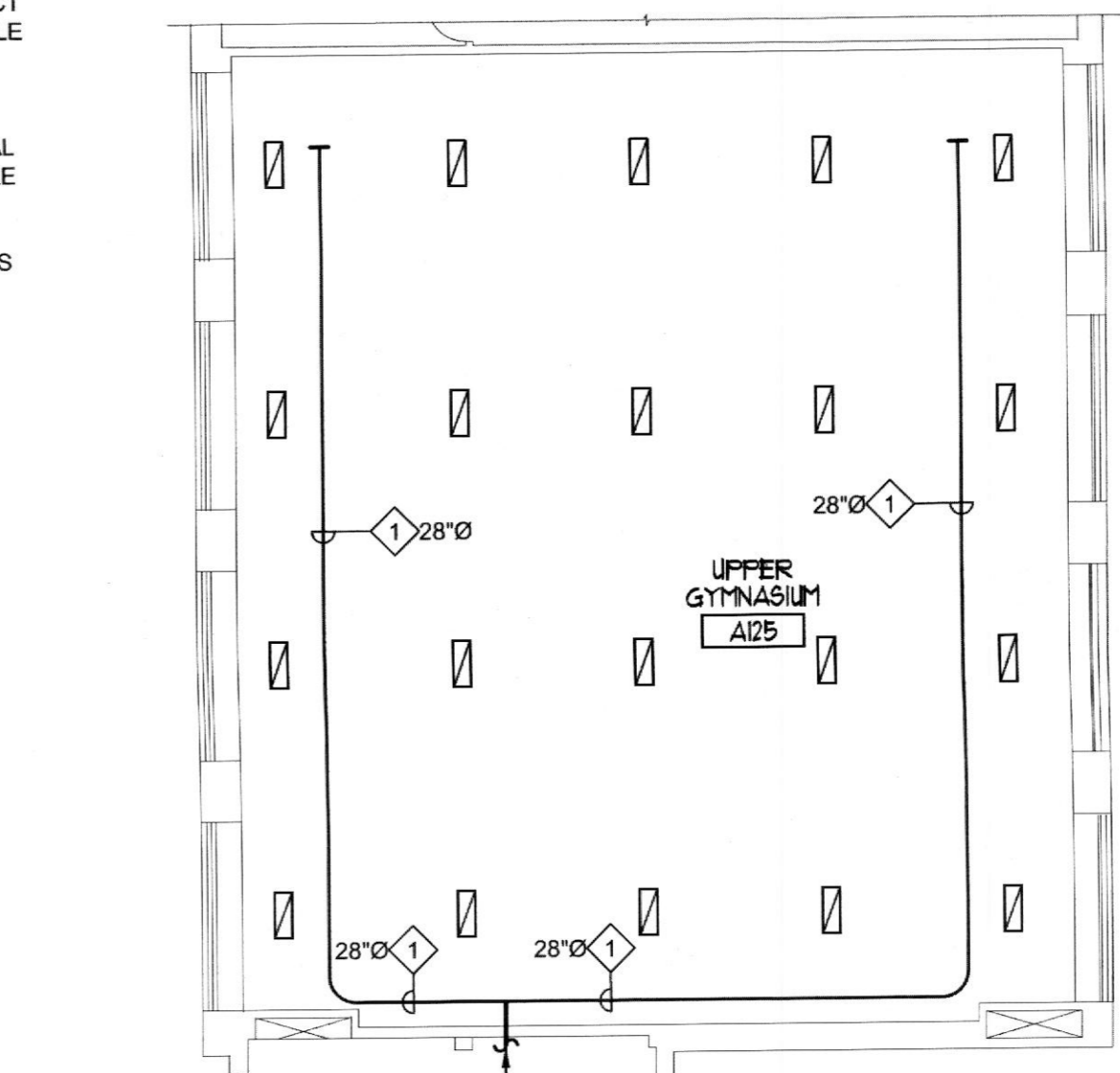
- MAKE ALL FINAL CONNECTIONS TO REPLACEMENT AHU-1, 208 VOLTS, 3 PHASE, 10 HP.
- PROVIDE COMBINATION MOTOR STARTER/DISCONNECT WITH HAND-OFF-AUTOMATIC SWITCH, RED AND GREEN LED PILOT LIGHTS, INTEGRAL CONTROL POWER TRANSFORMER AND 2 SETS AUXILIARY CONTACTS (1 N.O., 1 N.C.) TO SERVE AHU-1. MOUNT STARTER ON WALL ADJACENT TO UNIT AT 6'-0" A.F.F. TO TOP. PROVIDE HOMERUN (3 #6 + 1#10 GROUND IN 1" CONDUIT TO P2-10). MAKE ALL FINAL CONNECTIONS TO UNIT.
- PROVIDE DUCT SMOKE DETECTOR IN DUCT. GENERALLY WHERE INDICATED. MOUNT DUCT SMOKE DETECTOR IN SUPPLY AIR (SA) AND RETURN AIR (RA) DUCT AS CLOSE AS POSSIBLE TO AIR HANDLING UNIT. MOUNT DUCT SMOKE DETECTOR IN STRICT ACCORDANCE WITH REQUIREMENTS OF NFPA-72 AND NFPA-90A. COORDINATE EXACT LOCATION WITH FIELD DUCT INSTALLATION. WHERE FIELD DUCT INSTALLATION WILL NOT PERMIT A SINGLE DETECTOR TO PROVIDE TOTAL PROTECTION OF THE DUCT SYSTEM, PROVIDE ADDITIONAL DETECTORS IN EACH BRANCH OF THE DUCTWORK. CONNECT TO EXISTING BUILDING FIRE ALARM SYSTEM TO OPERATE SIMILAR TO EXISTING DUCT SMOKE DETECTORS.
- PROVIDE MANUAL MOTOR STARTING SWITCH AT EP-1 AND MAKE ALL FINAL CONNECTIONS TO PUMP. PROVIDE HOMERUN (3 #12 + 1/2" GROUND IN 1/2" CONDUIT) TO P2-7A.



MECHANICAL ROOM SECTION 1
SCALE: 1/2"=1'-0"



MECHANICAL ROOM SECTION 2
SCALE: 1/2"=1'-0"

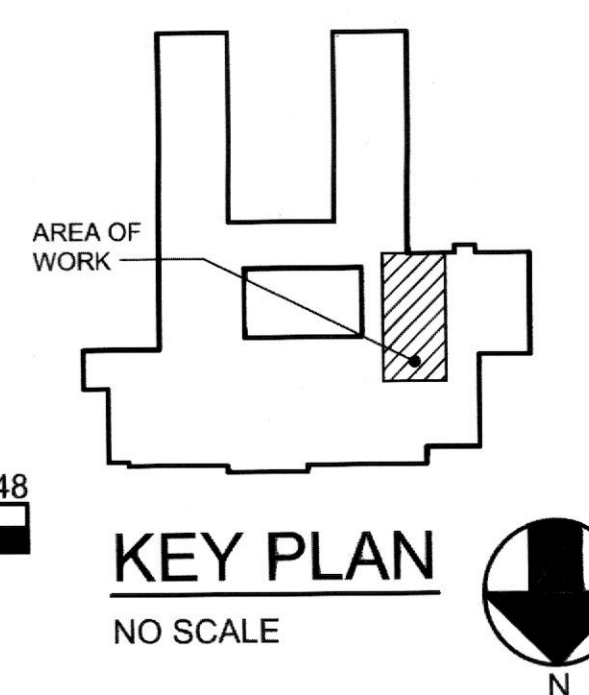
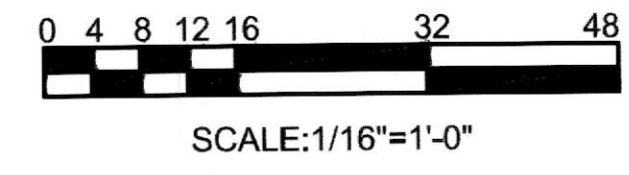
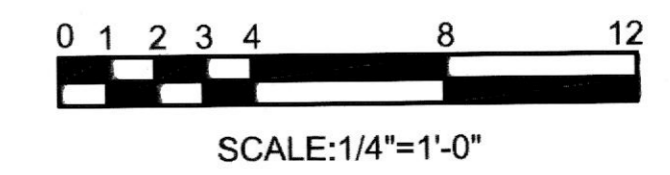


ADD ALTERNATE NO. 1 - UPPER GYMNASIUM PART PLAN - HVAC
SCALE: 1/4"=1'-0"

ADD ALTERNATE NOTE:
1. CONTRACTOR SHALL PROVIDE A PRICE TO REMOVE EXISTING SUPPLY AIR DUCTWORK AND REPLACE WITH FABRIC DUCT SYSTEM.

DRAWING NOTES

- 28" Ø FABRIC DUCTWORK SUSPENDED FROM STRUCTURE ABOVE. COORDINATE LOCATION BETWEEN LIGHTING.
- 28" Ø FABRIC DUCTWORK. TRANSITION AS REQUIRED TO 34"x28" SHEETMETAL LOW PRESSURE SUPPLY AIR DUCTWORK WITHIN ADJACENT MECHANICAL ROOM.



KEY PLAN
NO SCALE

FIRST FLOOR PART PLAN - EXISTING CONDITIONS & NEW WORK - HVAC
SCALE: 1/4"=1'-0"

DRAWING NOTES

- EXISTING RETURN AIR DUCTWORK MOUNTED ABOVE FIRST FLOOR CEILING TO REMAIN.
- EXISTING RETURN AIR DUCTWORK UP TO SECOND FLOOR MECHANICAL ROOM. REFER TO PART PLAN ON THIS SHEET FOR CONTINUATION.
- EXISTING RETURN AIR DUCTWORK DOWN IN CHASE TO REMAIN.
- HEAVY DUTY RETURN AIR GRILLE MOUNTED IN WALL WITH NECK SIZE AND AIR VOLUME INDICATED.
- THERMOSTAT TO CONTROL AIR HANDLING UNIT AHU-1. MOUNT AT MOST CURRENT ADA HEIGHT REQUIREMENT AND WITH A WIRE GUARD. (SHALL NOT EXCEED 48" ABOVE FINISHED FLOOR).

GENERAL NOTES

- ALL WORK SHOWN LIGHT AND SOLID ON THIS DRAWING SHALL BE CONSIDERED EXISTING UNLESS INDICATED OTHERWISE.
- ALL WORK SHOWN DARK AND SOLID ON THIS DRAWING SHALL BE CONSIDERED NEW WORK UNLESS INDICATED OTHERWISE.
- ALL EXISTING SUPPLY AIR DUCTWORK SUPPLY THE GYMNASIUM SHALL BE INSULATED ON THE EXTERIOR WITH RIGID BOARD INSULATION. REFER TO SPECIFICATIONS FOR ADDITIONAL INFORMATION.