

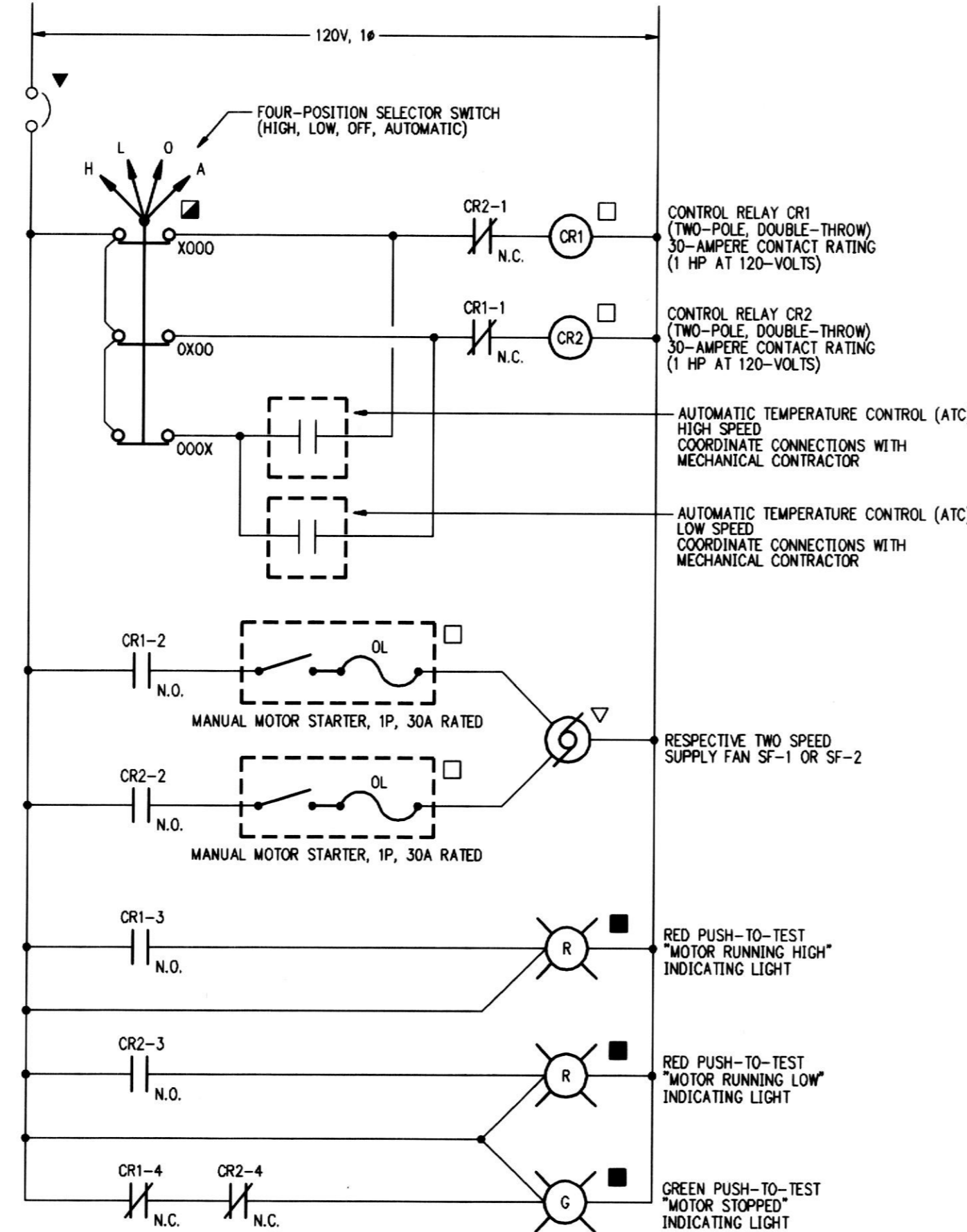


Mechanical & Electrical
 Consulting Engineers
 3112 Lord Baltimore Drive
 Baltimore, MD 21244
 tel 410-265-6100
 fax 410-298-9820
 jamesposey.com



Professional Certification. I hereby certify that these documents were prepared or approved by me, and that I am a duly licensed professional engineer under the laws of the state of Maryland, License No. 12395, Expiration date: 04-02-2011.
 Comm. No. 5806-09

WIRING SCHEDULE: PANEL B (ONE-SECTION)															
CIR- CUT	POLE	DESCRIPTION	3 PHASE 4 WIRE			400 AMP MAINS				CIR- CUT	POLE	DESCRIPTION	SURFACE MOUNTED		
			WIRE/ CONDUIT	BREAKER POLE AMP			AG	BW	CØ					WIRE/ CONDUIT	BREAKER POLE AMP
1	1	CIRC. PUMP P-1 (1.5HP)	3#12+	3	15	0.8	5.5			2	2	PUMP P-7 (15HP)	3#8+	3	80
-	3		12G-				0.8	5.5		-	4		8G-		
-	5		3/4"C					0.8	5.5	-	6		1"C		
-	7	(SHUNT TRIP)	-	-	-					-	8	(SHUNT TRIP)	-	-	-
9	9	CIRC. PUMP P-2 (1.5HP)	3#12+	3	15			0.8	0.6	10	10	PUMP P-8 (1HP)	3#12+	3	15
-	11		12G-						0.8	0.6	-	12	12G-		
-	13		3/4"C							-	14	3/4"C			
-	15	(SHUNT TRIP)	-	-	-					-	16	(SHUNT TRIP)	-	-	-
17	17	CIRC. PUMP P-3 (1.5HP)	3#12+	3	15			0.8	0.4	18	18	PUMP P-9 (3/4HP)	3#12+	3	15
-	19		12G-						0.8	0.4	-	20	12G-		
-	21		3/4"C							-	22	3/4"C			
-	23	(SHUNT TRIP)	-	-	-					-	24	(SHUNT TRIP)	-	-	-
25	25	CIRC. PUMP P-4 (1.5HP)	3#12+	3	15	0.8	2.9			26	26	PUMP P-10 (7.5HP)	3#8+	3	50
-	27		12G-					0.8	2.9	-	28	10G-			
-	29		3/4"C						0.8	2.9	-	30	3/4"C		
-	31	(SHUNT TRIP)	-	-	-					-	32	(SHUNT TRIP)	-	-	-
33	33	CIRC. PUMP P-5 (1.5HP)	3#12+	3	15			0.8	2.9	34	34	PUMP P-11 (7.5HP)	3#8+	3	50
-	35		12G-						0.8	2.9	-	36	10G-		
-	37		3/4"C							-	38	3/4"C			
-	39	(SHUNT TRIP)	-	-	-					-	40	(SHUNT TRIP)	-	-	-
41	41	PUMP P-6 (15HP)	3#8+	3	80			5.5	2.0	42	42	PUMP P-12 (5HP)	3#10+	3	35
-	43		8G-							-	44	10G-			
-	45		1"C					5.5	2.0	-	46	3/4"C			
-	47	(SHUNT TRIP)	-	-	-					-	48	(SHUNT TRIP)	-	-	-
49	49	BURNER - BOILER NO. 1 (3/4HP)	#10-3/4"C	1	30	2.0	1.2			50	50	PUMP P-13 (1/2 HP)	#12-3/4"C	1	20
-	51	(SHUNT TRIP)	-	-	-					-	52	(SHUNT TRIP)	-	-	-
53	53	BURNER - BOILER NO. 2 (3/4HP)	#10-3/4"C	1	30			2.0	0.7	54	54	SUPPLY FAN SF-1 (1/4HP)	#12-3/4"C	1	20
-	55	(SHUNT TRIP)	-	-	-		0.7			56	56	SUPPLY FAN SF-2 (1/4HP)	#12-3/4"C	1	20
57	57	BURNER - BOILER NO. 3 (3/4HP)	#10-3/4"C	1	30			2.0	0.5	58	58	SUPPLY FAN SF-3 (1/8HP)	#12-3/4"C	1	20
-	59	(SHUNT TRIP)	-	-	-				0.4	60	60	BOILER CONTROL PANEL	#12-3/4"C	1	20
61	61	BURNER - BOILER NO. 4 (3/4HP)	#10-3/4"C	1	30	2.0	0.2			62	62	GAS DETECTOR CONTROL PANEL	#12-3/4"C	1	20
-	63	(SHUNT TRIP)	-	-	-				0.1	64	64	SHUNT TRIP CONTROL CIRCUIT	#12-3/4"C	1	20
65	65	BURNER - BOILER NO. 5 (3/4HP)	#10-3/4"C	1	30			2.0	0.2	66	66	RECEPTACLE	#12-3/4"C	1	20
-	67	(SHUNT TRIP)	-	-	-					68	68	SPARE	1	20	
69	69	SPARE								70	70	SPARE	1	20	
71	71	SPARE								72	72	SPARE	1	20	
CONNECTED LOAD =						85.4	KVA					MAIN BREAKER		250	AMPS
DEMAND LOAD =						68.4	KVA	NOTE: PROVIDE SEPARATE NEUTRAL FOR EACH CIRCUIT							
MIN AIC RATING =						22,000	AMPS SYMMETRICAL					LOCATION MECH. ROOM			

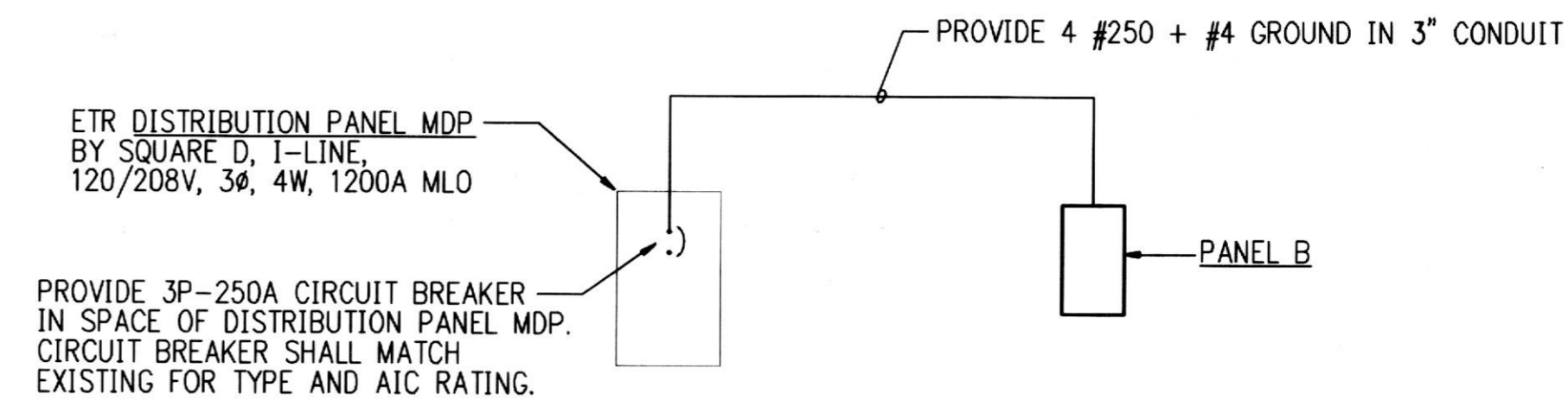


- LEGEND:**
- ▼ CIRCUIT BREAKER AT RESPECTIVE PANELBOARD
 - ▽ REFER TO PLANS FOR LOCATION
 - ☑ PROVIDE THREE POSITION H-O-A SWITCH MOUNT ON FRONT OF STARTER ENCLOSURE
 - LOCATED IN STARTER ENCLOSURE
 - PROVIDE INDICATING LIGHT MOUNT ON FRONT OF STARTER ENCLOSURE

NOTE: PROVIDE #10 CONTROL WIRE THROUGHOUT

DIAGRAM $\frac{2}{E6.1}$
 TWO-SPEED CONTROL DIAGRAM FOR RESPECTIVE
 COMBUSTION/VENTILATION SUPPLY FAN SF-1 OR SF-2
 NOT TO SCALE

SYMBOL: [25]



PART POWER RISER DIAGRAM
 NOT TO SCALE

Sym.	REVISIONS	Date

Drawn	WCS
Designed	WCS
Checked	FJM
Approved	REL

Scale: NONE
 Comm No: 5806-09
 Date: 4/7/2010

Drawing Title
**SCHEDULES
 AND DIAGRAMS**

Sheet No:
E6.1