

A B C D E F G H J K L M N P Q R S T U

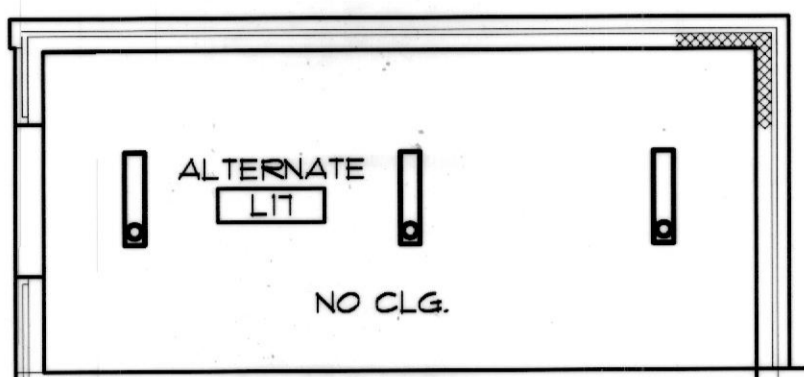
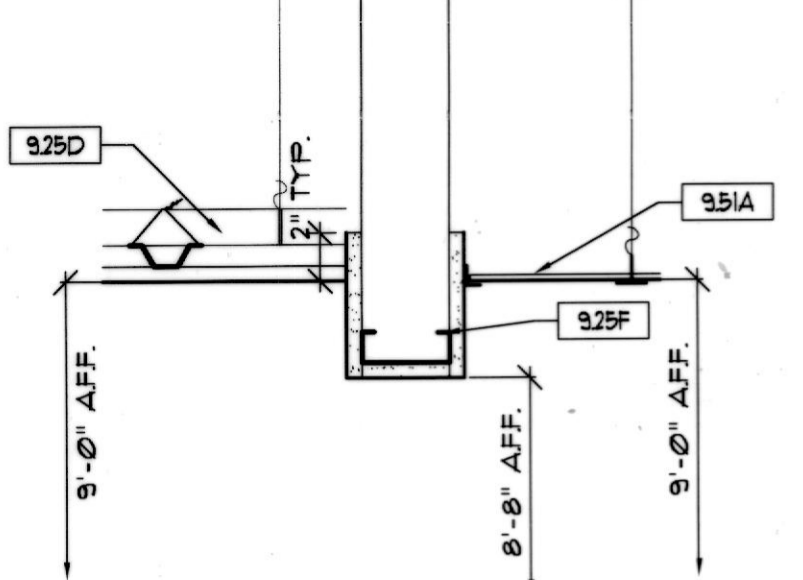
DRAWING NOTES

- 3.0E 3/8" KICKER
- 3.25A GUB CEILING SYSTEM
- 6.00B 3/4" CDX FLYWOOD
- 3.0A CEILING GRID SYSTEM SHADOW MOLDING
- 3.25A 1/2" FURRING @ 24" O.C. WITH 3/8" GUB, PTD.
- 3.25C 3/8" GUB, PTD.
- 3.25D GUB CEILING SYSTEM: 3/8" MOISTURE RESISTANT GUB, PTD, ON 1/2" FURRING CHANNELS 24" O.C. MAX. ON 1 1/2" CHANNELS 4'-0" O.C. MAX.
- 3.25E GUB CEILING SYSTEM: 3/8" GUB, PTD, ON 1/2" FURRING CHANNELS 24" O.C. MAX. ON 1 1/2" CHANNELS 4'-0" O.C. MAX.
- 3.25F 3/8" MET. STUD, W/ 3/8" GUB BOTH SIDES, PTD.
- 3.51A SUSPENDED ACOUSTIC CEILING PANEL ASSEMBLY - SEE FINISH SCHEDULE
- 12.48A MOTORIZED ROLLER SHADE W/ MAN. STD. POCKET FOR MOUNTING.
- 13.0V FIBER GLASS INSULATION AND VAPOR RETARDER - PERFORATED FOR MAXIMUM ACOUSTIC PERFORMANCE.
- 16.00A COVE LIGHTING - SEE ELECT. DUGS.



RUBELING & ASSOCIATES, INC.
ARCHITECTURE
INTERIOR DESIGN
401 JEFFERSON AVENUE
TOWSON, MARYLAND 21286-5308
410-337-2886
FAX: 410-337-2974

3B DETAIL LOCKER ROOM BULKHEAD
1/4"=1'-0"



REFLECTED CLG. LEGEND

- 2x2' CEILING GRID W/ ACP
- 2x4' CEILING GRID W/ ACP
- 2x4' FLUORESCENT LIGHT
- 1x4' FLUORESCENT LIGHT
- 2x2' FLUORESCENT LIGHT
- INCANDESCENT DOWNLIGHT
- 2x2' RETURN AIR
- 2x2' SUPPLY DIFFUSER
- EXHAUST GRILLE
- COMPACT FLUORESCENT DOWN LIGHT
- SUSPENDED STRIP FLUORESCENT LIGHT

SPORT AND FITNESS CENTER
NOTRE DAME PREPARATORY SCHOOL
815 HAMPTON LANE
TOWSON, MARYLAND 21286

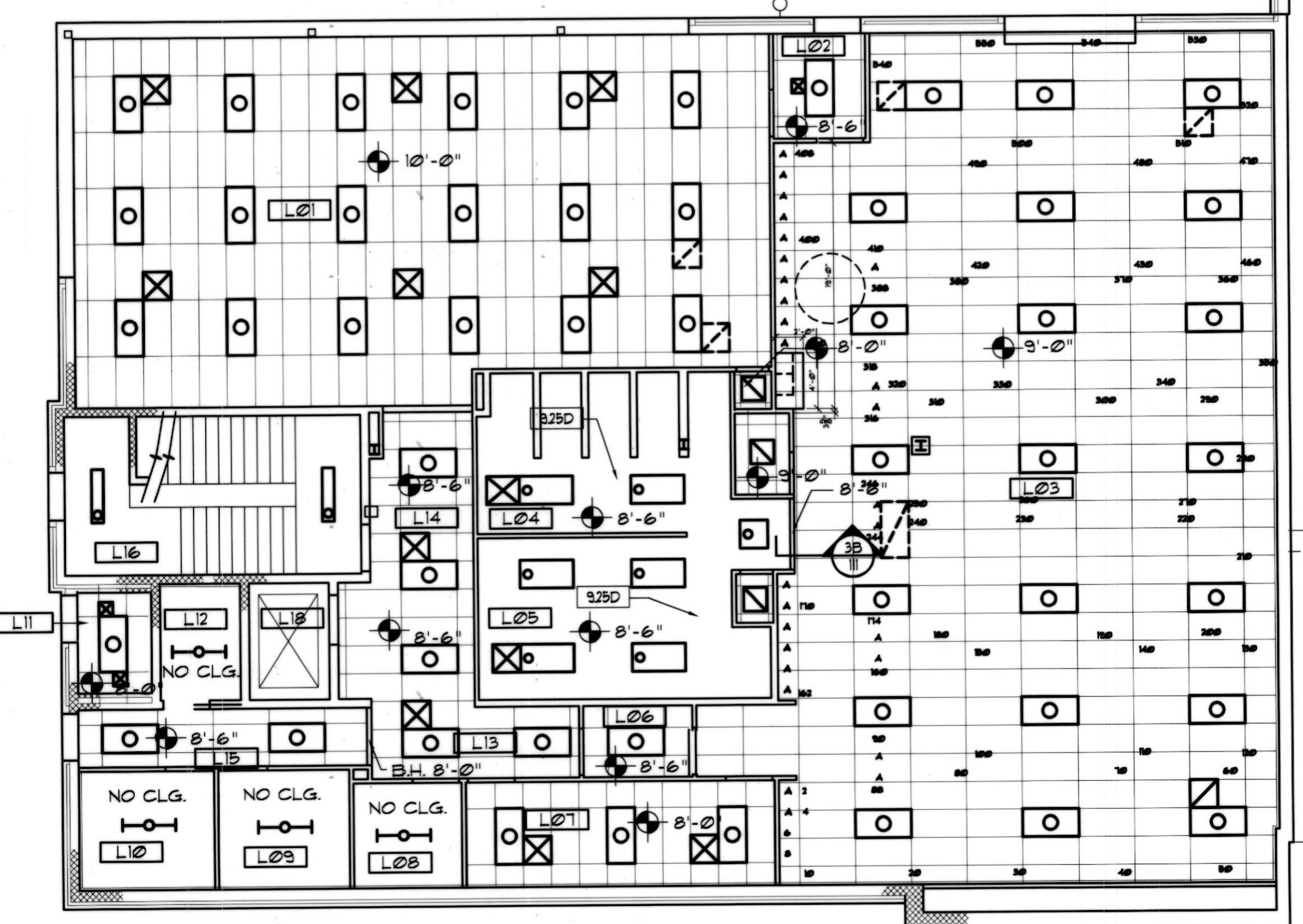
REVISIONS:

NO.	DESCRIPTION	DATE
1	RECORD DUGS.	09/05/05

LAST REV.:
PROJECT NO.: 02-031
DATE: 6-21-03
SCALE: 1/8"=1'-0"
TITLE: LOWER LEVEL REFLECTED CEILING PLAN

SHEET:

111



NORTH
LOWER LEVEL REFLECTED CEILING PLAN
1/4"=1'-0"