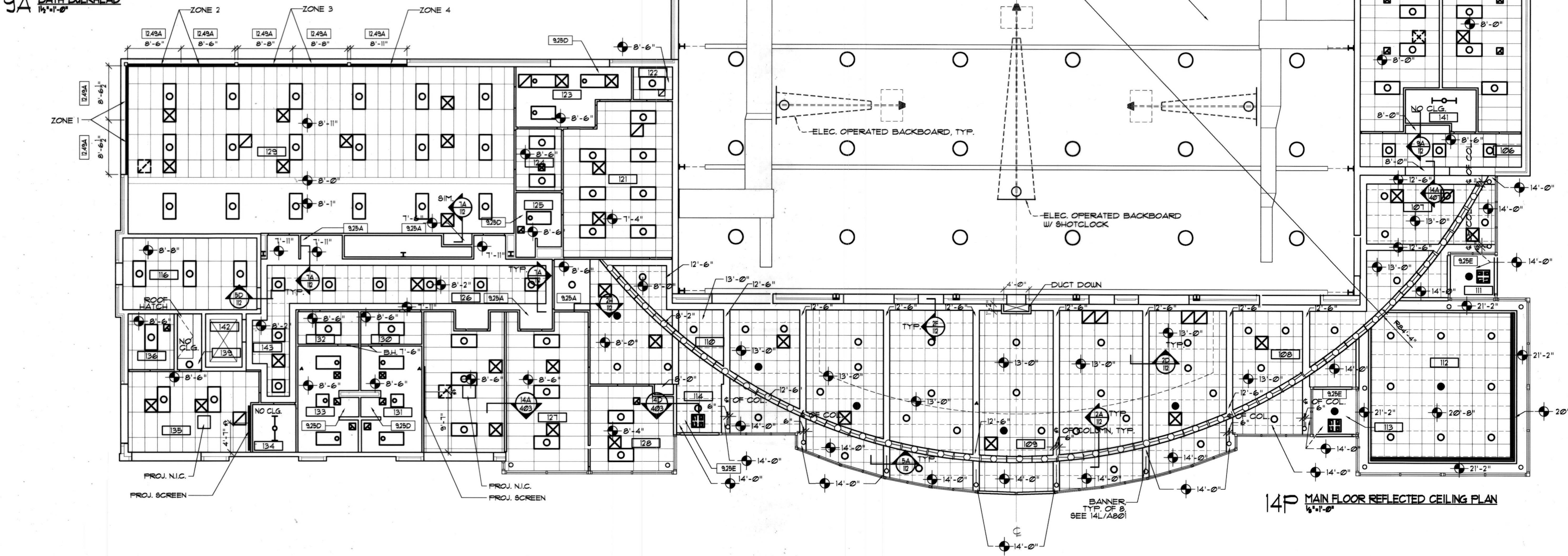
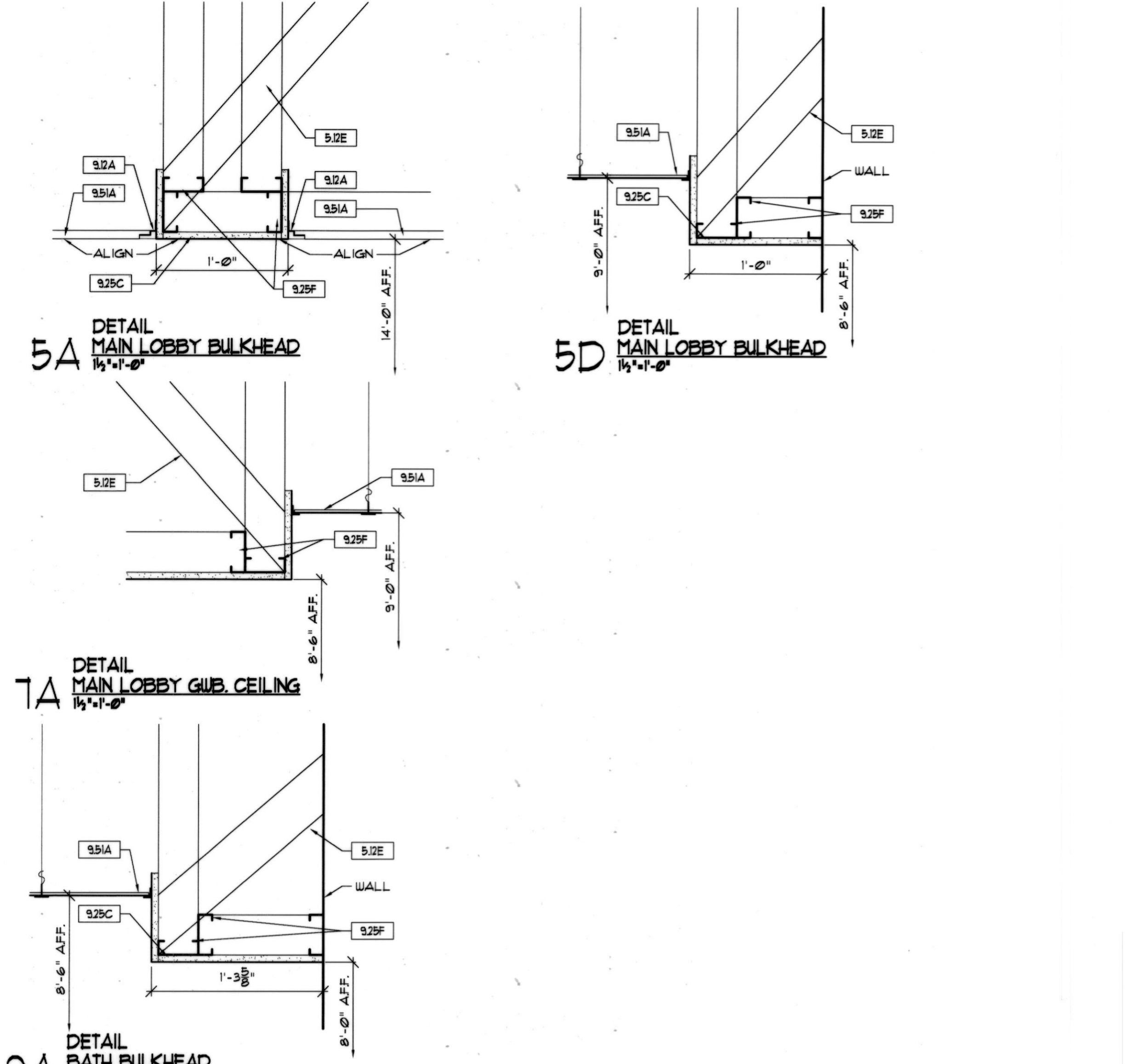
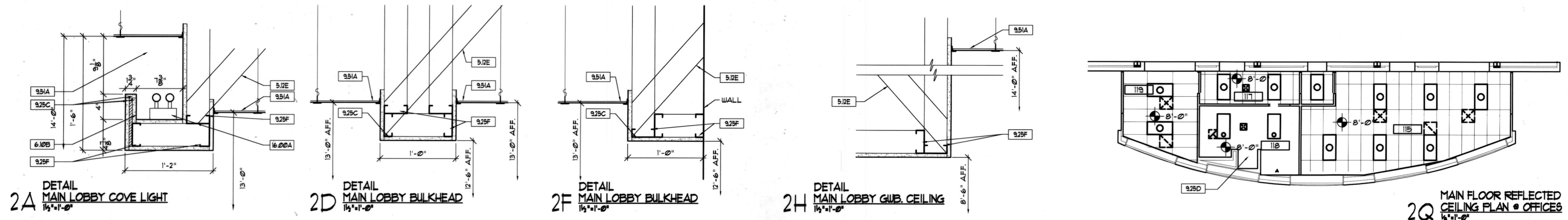


A B C D E F G H J K L M N P Q R S T U

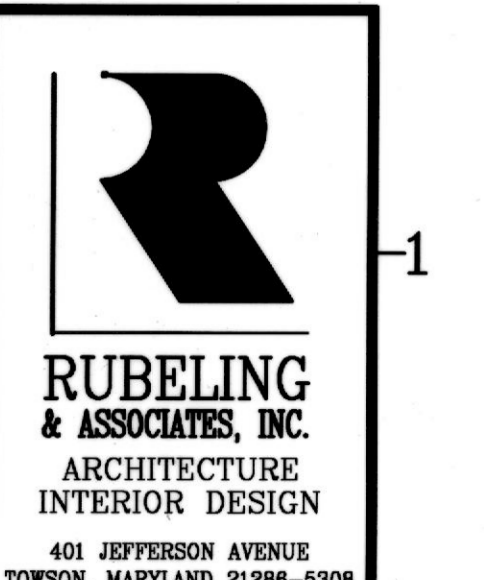


DRAWING NOTES

- 5.02E 3/8" KICKER
- 5.25A GUB CEILING SYSTEM
- 6.02B 3/4" CDX PLYWOOD
- 5.02A CEILING GRID SYSTEM SHADOW MOLDING
- 5.25A 1/2" FURRING @ 24" O.C. WITH 1/2" GUB, PTD.
- 5.25C 1/2" GUB, PTD.
- 5.25D GUB CEILING SYSTEM: 1/2" MOISTURE RESISTANT GUB, PTD, ON 1/2" FURRING CHANNELS 24" O.C. MAX, ON 1/2" CHANNELS 4'-0" O.C. MAX.
- 5.25E GUB CEILING SYSTEM: 1/2" GUB, PTD, ON 1/2" FURRING CHANNELS 24" O.C. MAX, ON 1/2" CHANNELS 4'-0" O.C. MAX.
- 5.25F 3/8" MET. STUD, W/ 1/2" GUB BOTH SIDES, PTD.
- 5.51A SUSPENDED ACOUSTIC CEILING PANEL ASSEMBLY - SEE FINISH SCHEDULE
- 7.45A MOTORIZED ROLLER SHADE W/ MAN. STD. POCKET FOR MOUNTING.
- 15.02V FIBER GLASS INSULATION AND VAPOR RETARDER - PERFORATED FOR MAXIMUM ACOUSTIC PERFORMANCE.
- 16.00A COVE LIGHTING. SEE ELECT. DUGS.

REFLECTED CLG. LEGEND

- 2'x2' CEILING GRID W/ ACP
- 2'x4' CEILING GRID W/ ACP
- 2'x4' FLUORESCENT LIGHT
- 1'x4' FLUORESCENT LIGHT
- 2'x2' FLUORESCENT LIGHT
- INCANDESCENT DOWNLIGHT
- 2'x2' RETURN AIR
- 2'x2' SUPPLY DIFFUSER
- EXHAUST GRILLE
- COMPACT FLUORESCENT DOWN LIGHT
- SUSPENDED STRIP FLUORESCENT LIGHT



SPORT AND FITNESS CENTER
NOTRE DAME PREPARATORY SCHOOL
815 HAMPTON LANE
TOWSON, MARYLAND 21286

REVISIONS:

NO.	DESCRIPTION	DATE
1	RECORD DUGS.	05/05/05

LAST REV.:
PROJECT NO.: 02-031
DATE: 6-21-03
SCALE: 1/4"=1'-0"
TITLE: MAIN FLOOR REFLECTED CEILING PLAN

SHEET: A
112

