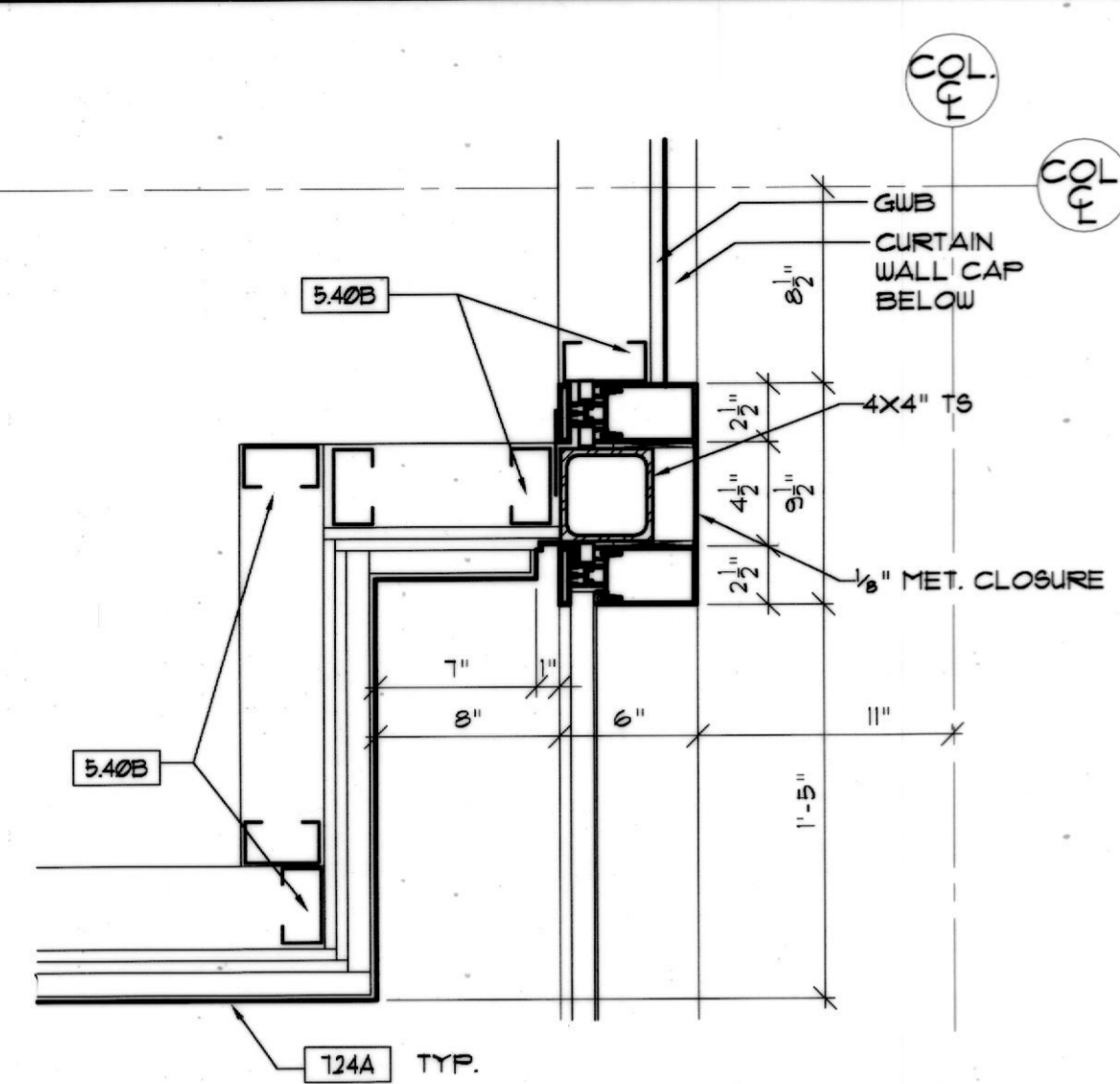
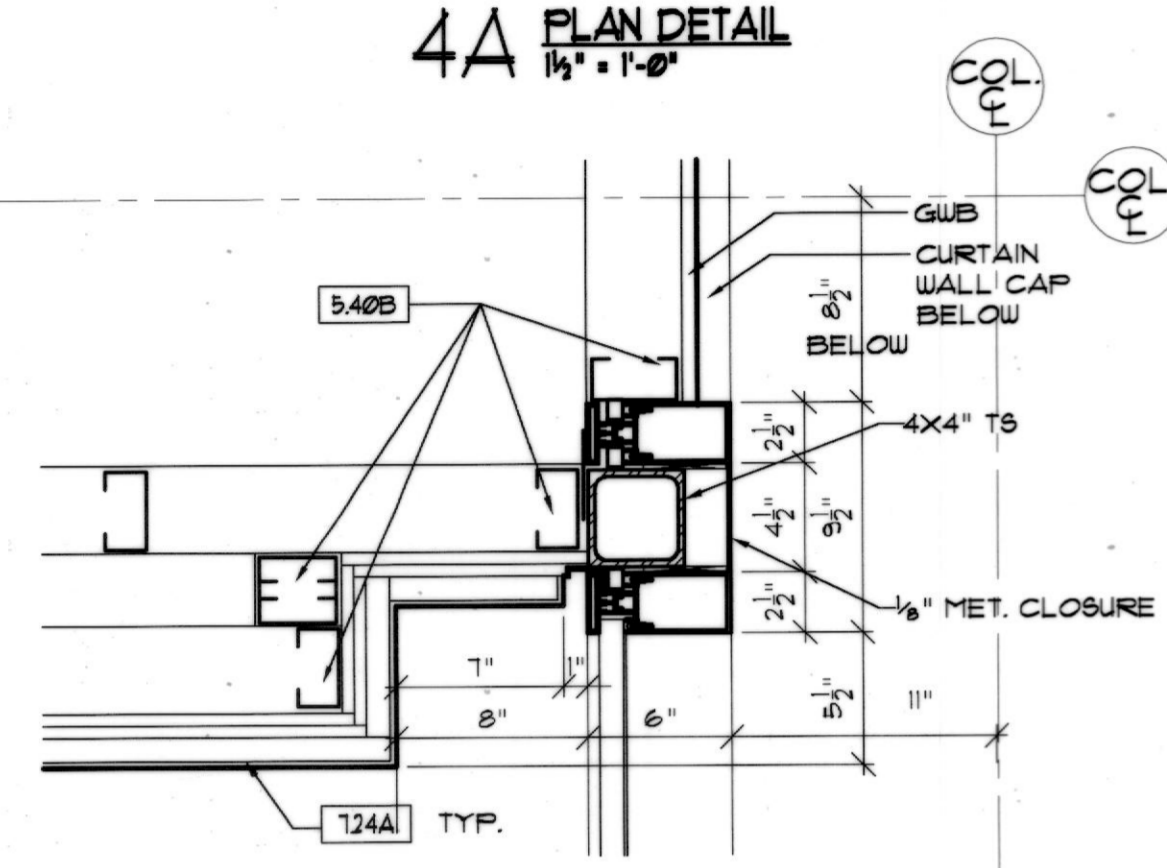


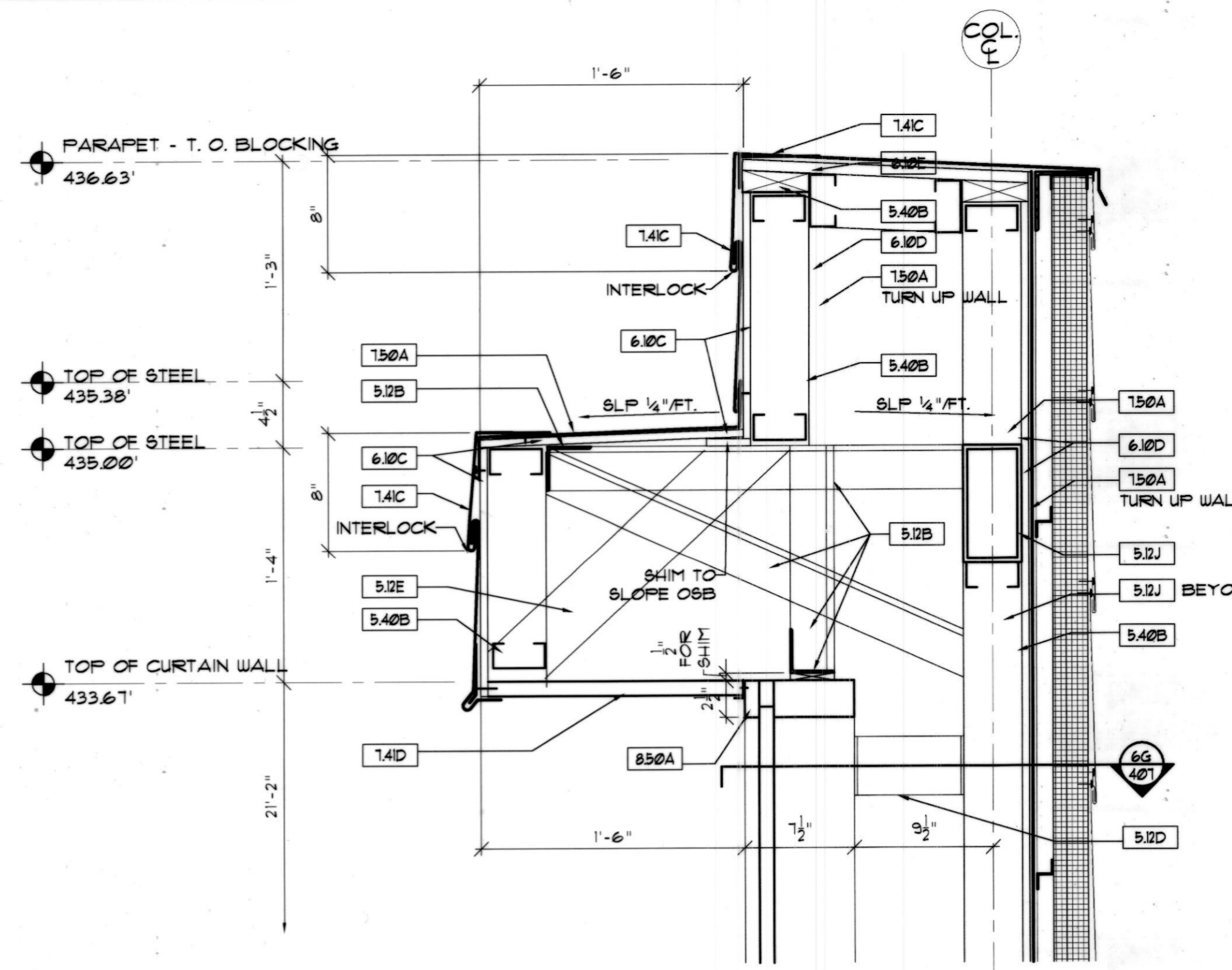
A B C D E F G H J K L M N P Q R S T U



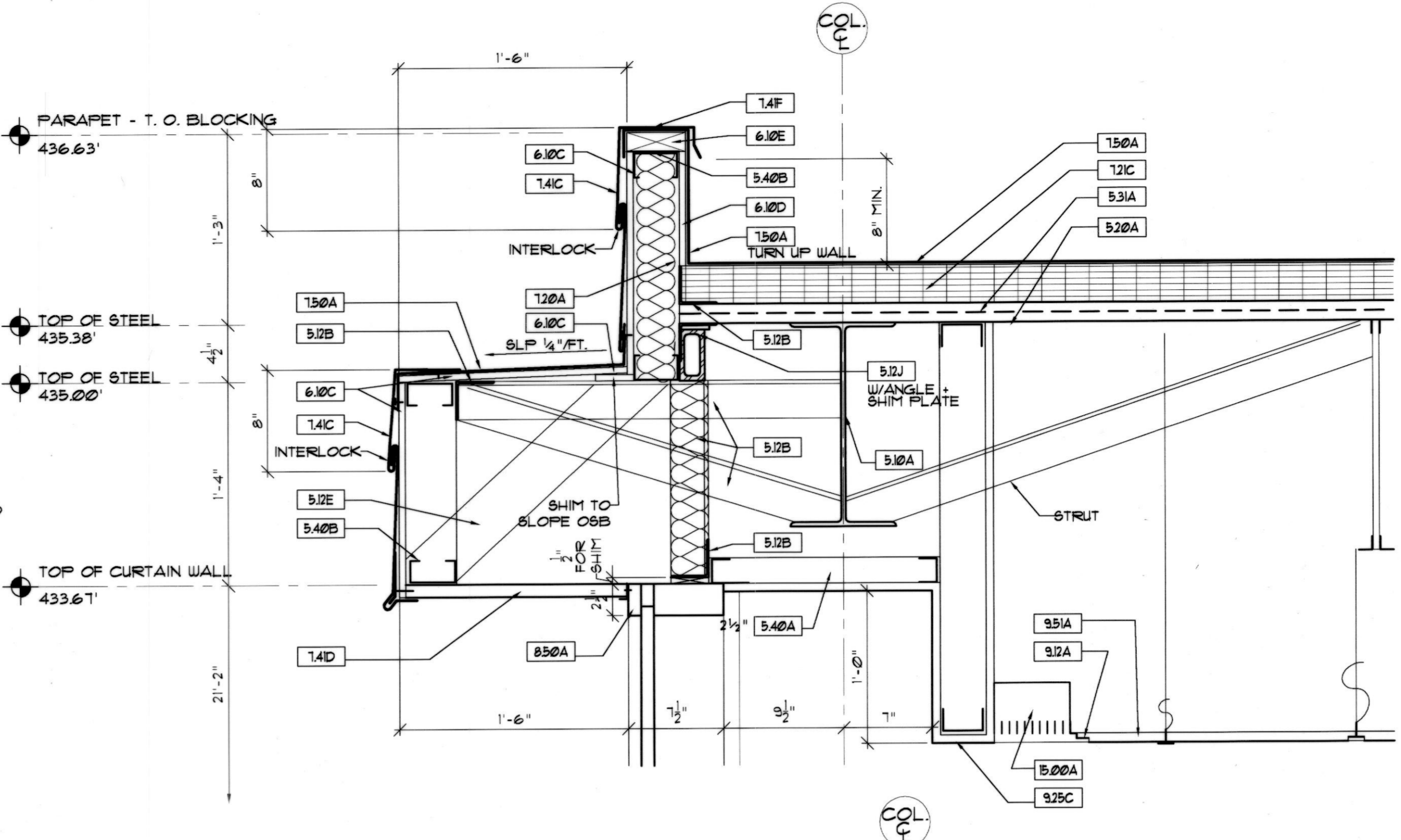
4A PLAN DETAIL  
1/4" = 1'-0"



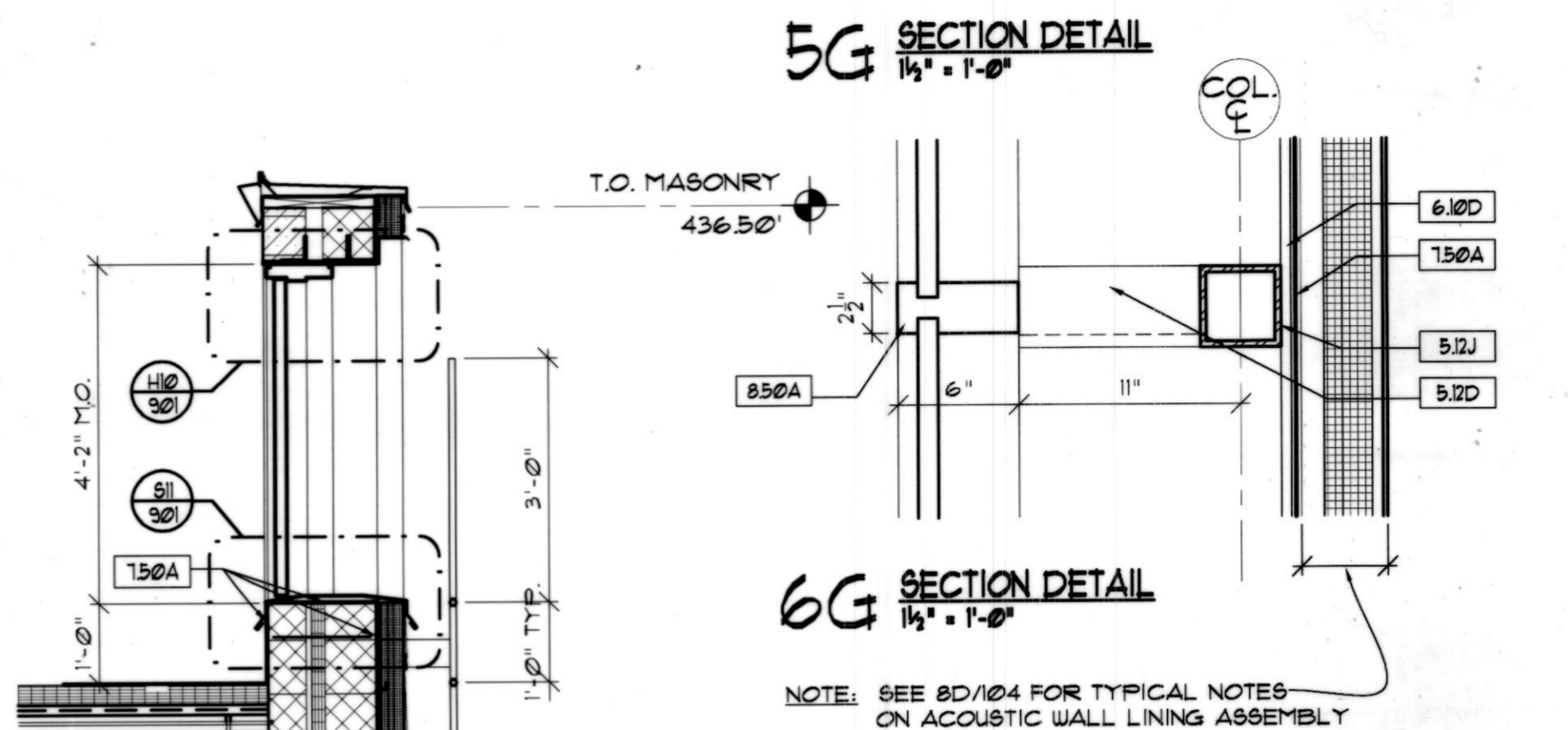
5A PLAN DETAIL  
1/4" = 1'-0"



5G SECTION DETAIL  
1/4" = 1'-0"

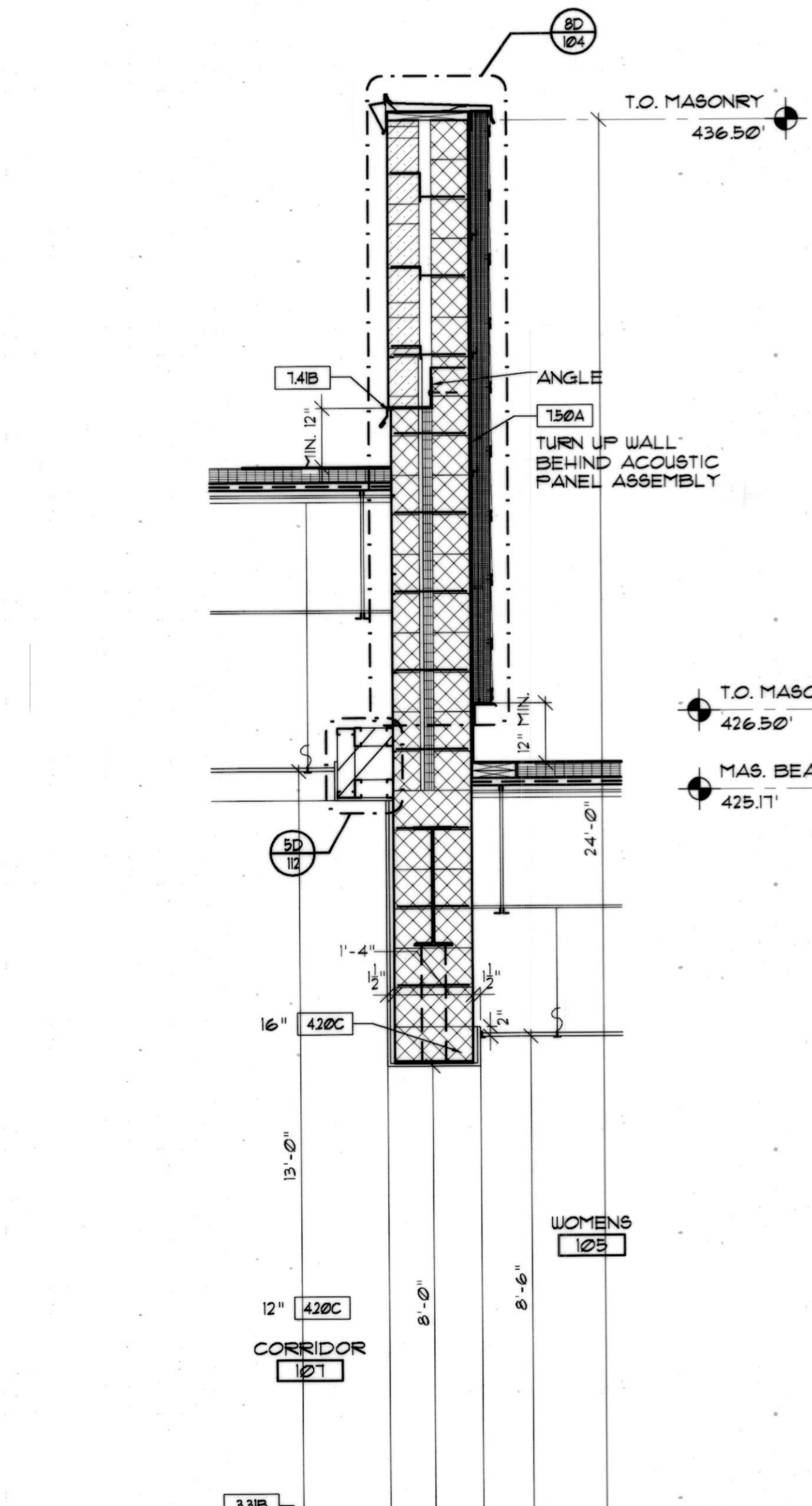


5L SECTION DETAIL  
1/4" = 1'-0"

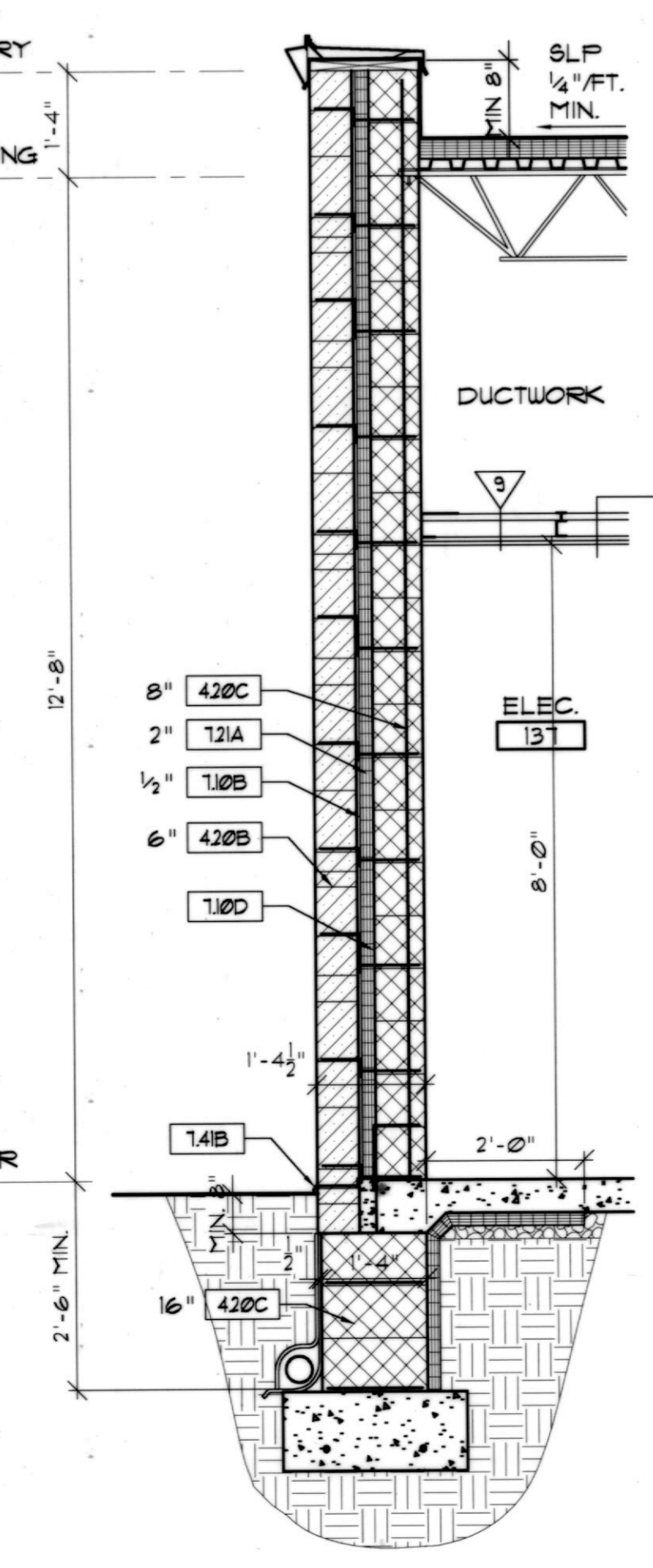


6G SECTION DETAIL  
1/4" = 1'-0"

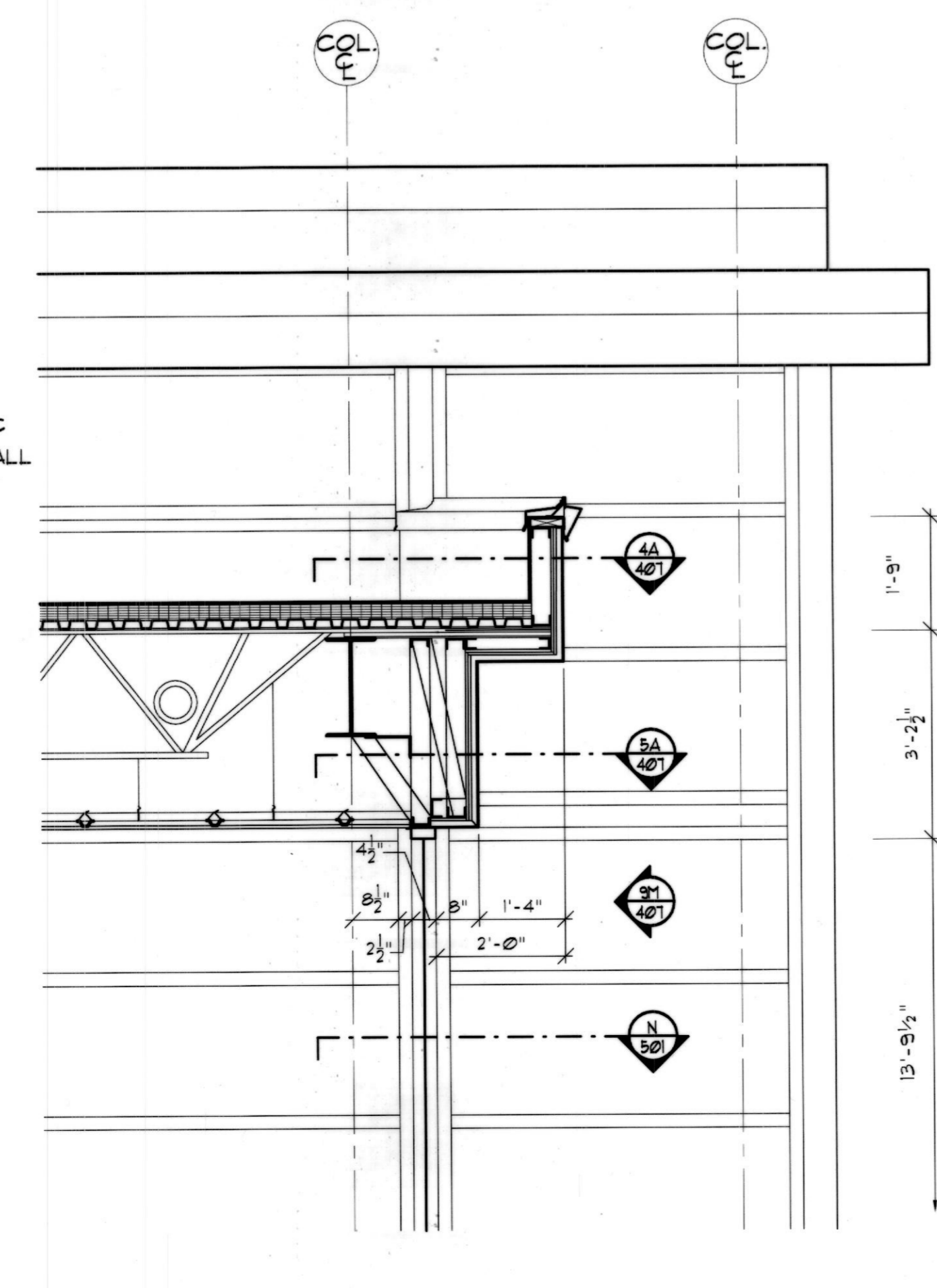
NOTE: SEE 8D/8E FOR TYPICAL NOTES ON ACOUSTIC WALL LINING ASSEMBLY



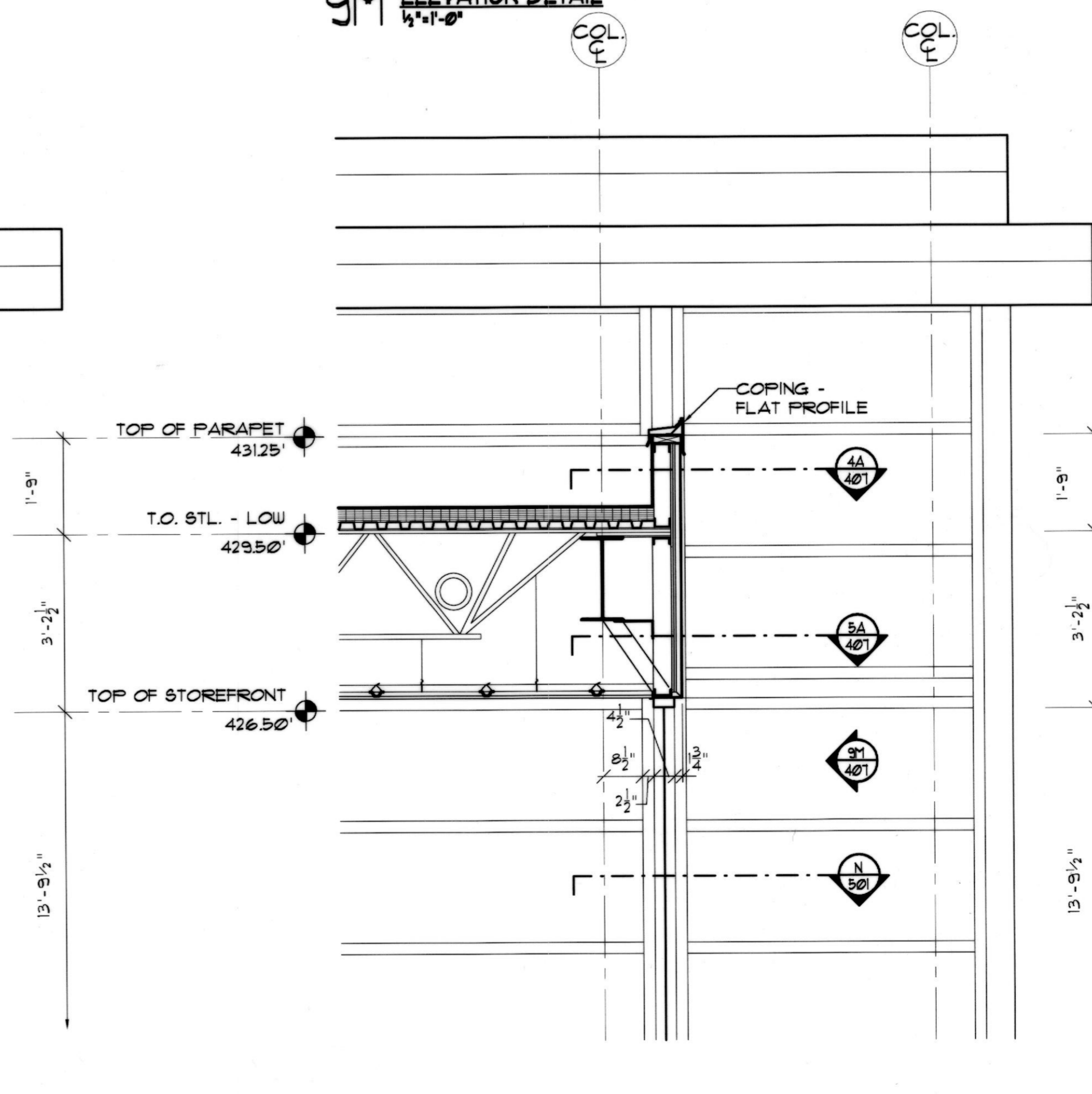
14A WALL SECTION  
1/4" = 1'-0"



14F WALL SECTION  
1/4" = 1'-0"



14H WALL SECTION  
1/4" = 1'-0"



14M WALL SECTION  
1/4" = 1'-0"

9M ELEVATION DETAIL  
1/4" = 1'-0"

DRAWING NOTES

- 33A CONCRETE FOOTING. SEE STRUCT. DUGS.
- 33B 8" CONCRETE SLAB ON GRADE W/ 6#4-12@3' X 20'S W/ 1" VAPOR BARRIER. SEE STRUCT. DUGS.
- 33C TURNED DOWN CONC. SLAB - SEE STRUCT. DUGS.
- 33D 4" PERFORATED CONC. DRAIN - TIE INTO FORMWORK - SEE CIVIL DUGS.
- 33E 4" GRAVEL W/ 1/2" VAPOR BARRIER.
- 33F 3/4" LIGHTWEIGHT CONC. SLAB W/ 6#4-12@3' W/ 1" VAPOR BARRIER AND 1/2" CORR. METAL DECK - SEE STRUCT. DUGS.
- 33A THICKENED SLAB - SEE STRUCT. DUGS.
- 33J 2'-0" X 1/2" S.S. DOIEL
- 33K CONC. CURB
- 33L CONC. WALK - SEE CIVIL DUGS.
- 33M ISOLATION JOINT FILLER STRIP
- 33N PRECAST CONC. HEAD
- 33O PRECAST CONC. BILL
- 420A ACOUSTIC CHU W/ JOINT REINFORCING 16" O.C. - SEE PATTERN AND...
- 420B BUTLER STONE W/ VENEER ANCHORS 16" EACH WAY
- 420C CHU W/ JOINT REINFORCING 16" O.C.
- 420D BOND BEAM, SEE STRUCT. DUGS.
- 420E REIN. CHU WALL - SEE STRUCT.
- 420F SPLITFACE CHU W/ VENEER ANCHORS 16" EACH WAY
- 420G "IVANTY" BLOCK CHU W/ TRUSS-TYPE REIN. 16" O.C. MAX. VERTICALLY, AND HORIZ. BARS - SEE STRUCT. DUGS.
- 420H "IVANTY" SPLITFACE BLOCK W/ TRUSS-TYPE REIN. 16" O.C. MAX. VERTICALLY, AND HORIZ. BARS - SEE STRUCT. DUGS.
- 310A BEAM - SEE STRUCT. DUGS.
- 310B HOIST BEAM - SEE STRUCT. DUGS.
- 310C HAT CHANNEL, 16" O.C.
- 310D ANGLE - SEE STRUCT. DUGS.
- 310E LINTEL, PTD. - SEE STRUCT. DUGS.
- 310F CHANNEL, PTD.
- 310G 3/4" KICKER, 4'-0" O.C.
- 310H 3/4" X 3/4" X 1/4" STEEL BILL ANGLE - COORD. W/ ELEVATOR MANUFACTURER
- 310I STEEL LADDER
- 310J TUBE STEEL - SEE STRUCT. DUGS.
- 310K 3/4" X 4 1/2" L.L.V. ANGLE
- 310L METAL JOIST - SEE STRUCT. DUGS.
- 310M KICKER 4'-0" O.C. - SEE STRUCT. DUGS.
- 310N 1/2" GALV. METAL ROOF DECK
- 310O 2" GALV. COMPOSITE METAL DECK
- 310P 4" 18 GA. METAL STUD, 16" O.C. W/ 1/4" GWS, PTD.
- 310Q 4" 18 GA. METAL STUD, 16" O.C.
- 310R ALTERNATING TREAD STAIR
- 310S METAL PAN STAIRS W/ CHANNEL STRINGER
- 310T CHANNEL - SEE STRUCT. DUGS.
- 310U GUARDRAILS/HANDRAILS - SEE DETAILS AC14E/16I
- 310V STAIR CHANNEL
- 310W BILL - SEE DOOR SCHEDULE
- 310X WOOD BILL, STAINED TO MATCH DOORS
- 310Y 1/4" CDX PLYWOOD
- 310Z 1/2" OSB
- 310AA 1/2" CEMENTITIOUS SHEATHING BOARD
- 310AB WOOD BLOCKING
- 310AC 1/2" FIRE-TREATED PLYWOOD
- 110A WATERPROOFING MEMBRANE 4 PROTECTION BOARD/FOUNDATION DRAINAGE MATING
- 110B 1/2" DRAIN BOARD W/ FILTER CLOTH
- 110C BITUMINOUS DAMPROOFING
- 110D BITUMINOUS COATING ON CHU
- 110E R8 BATT INSULATION W/ VAPOR BARRIER
- 110F 2" RIGID INSULATION
- 110G 2" PERIMETER INSULATION
- 110H ROOF INSULATION 3" MINIMUM
- 110I EPS ON 1" RIGID INSULATION ON 1/2" CEMENTITIOUS SHEATHING BOARD
- 110J EPS ON 2 1/2" RIGID INSULATION ON 1/2" CEMENTITIOUS SHEATHING BOARD
- 110K PREFINISHED ALUM. PANEL
- 110L THRU-WALL FLASHING W/ WEEPHOLES 2'-0" O.C.
- 110M 6x6 CLEAR ANODIZED ALUMINUM PANEL
- 110N ALUMINUM BOFIT
- 110O CAP FLASHING
- 110P 6x6 CLEAR ANODIZED ALUMINUM COPING
- 110Q EPDM MEMBRANE ROOFING
- 110R ALUMINUM COPING - CLEAR ANODIZED
- 110S ROOF HATCH
- 110T H/M FRAME - SEE DOOR SCHEDULE
- 110U WOOD DOOR - SEE DOOR SCHEDULE
- 110V ALUM. STOREFRONT
- 110W ALUM. STOREFRONT DOOR
- 110X CURTAIN WALL
- 110Y CURTAIN WALL DOOR
- 110Z CURTAIN WALL CAP USED AS TRIM
- 110AA ALUMINUM WINDOW
- 110AB TRANSLUCENT FIBERGLASS SANDWICH PANEL WALL ASSEMBLY
- 110AC ALUMINUM BILL EXTENSION
- 110AD CEILING GRID SYSTEM SHADOW MOLDING
- 110AE 1/2" FURRING @ 24" O.C. WITH 1/2" GWS, PTD.
- 110AF 1 1/2" RIGID INSULATION WITH 1 1/2" Z-FURRING @ 24" O.C. WITH 1/2" GWS, PTD. - EXTEND INSULATION TO DECK ABOVE
- 110AG 1/2" GWS, PTD.
- 110AH 3/4" MET. STUD W/ 1/2" GWS, PTD.
- 110AI 1/2" REVEAL TRIM SPACKLE FLUSH
- 110AJ SUSPENDED ACOUSTIC CEILING PANEL ASSEMBLY - SEE FINISH SCHEDULE
- 110AK GYMNASIUM FLOATING WOOD ATHLETIC FLOOR SYSTEM W/ FLOOR PANS. PROVIDE VAPOR PROOFING FOAM OVER POLYETHYLENE VAPOR BARRIER ON CONC. 1ST GRADE MAPLE THROUGHOUT. TRANSITIONS TO 2ND GRADE MAPLE BELOW FULLY CLOSED BLEACHERS ONLY - SEE FIN. SCHED. PROVIDE SOLID BLOCKING UNDER OPEN BLEACHERS.
- 110AL ACTIVITY ROOM FLOATING WOOD ATHLETIC FLOOR SYSTEM. PROVIDE VAPOR PROOFING FOAM OVER POLYETHYLENE VAPOR BARRIER ON CONC. LOCKER - SEE FLOOR PLANS
- 110AM MOTORIZED ROLLER SHADE W/ MAN. STD. POCKET FOR MOUNTING
- 110AN GARBLE ANGLE
- 110AO CLOSURE PANEL BY BLEACHER MANUFACTURE
- 110AP CLOSURE
- 110AQ ELECTRICALLY OPERATED BLEACHERS
- 110AR EAVE STRUT
- 110AS BUILDING FRAME CLEAR SPAN (R/R) PTD. P-4 - SEE FINISH SCHED.
- 110AT GUTTER
- 110AU CHANNEL GIRT W/ SAG ROD
- 110AV Z-GIRT
- 110AW CHANNEL GIRT BEAM
- 110AX SIDEWALL FLASHING
- 110AY PURLIN, PTD. P-4 - SEE FINISH SCHED.
- 110AZ METAL ROOF W/ CLIP SYSTEM
- 110BA STRUCTURAL WITH GIRT 4 CLIP, PTD. P1 - SEE FINISH SCHED.
- 110BB RAKE TRIM
- 110BC 4" FIBER GLASS INSULATION AND VAPOR RETARDER - PERFORATED FOR MAXIMUM ACOUSTIC PERFORMANCE
- 110BD METAL WALL PANELS W/ AGGREGATE PAINT
- 110BE ELEVATOR DOOR FRAME
- 110BF MECH. SUPPLY VENT - SEE MECH. DUGS.



401 JEFFERSON AVENUE  
TOWSON, MARYLAND 21286-5508  
410-337-2886  
FAX: 410-337-2974

SPORT AND FITNESS CENTER  
NOTRE DAME PREPARATORY SCHOOL  
815 HAMPTON LANE  
TOWSON, MARYLAND 21286

REVISIONS:

| NO. | DESCRIPTION  | DATE     |
|-----|--------------|----------|
| 1   | RECORD DUGS. | 09/28/09 |

LAST REV.:  
PROJECT NO.: 02-031  
DATE: 6-21-09  
SCALE: 1/8" = 1'-0"

TITLE: WALL SECTIONS

SHEET: A  
407