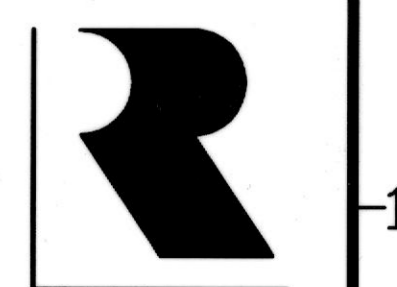
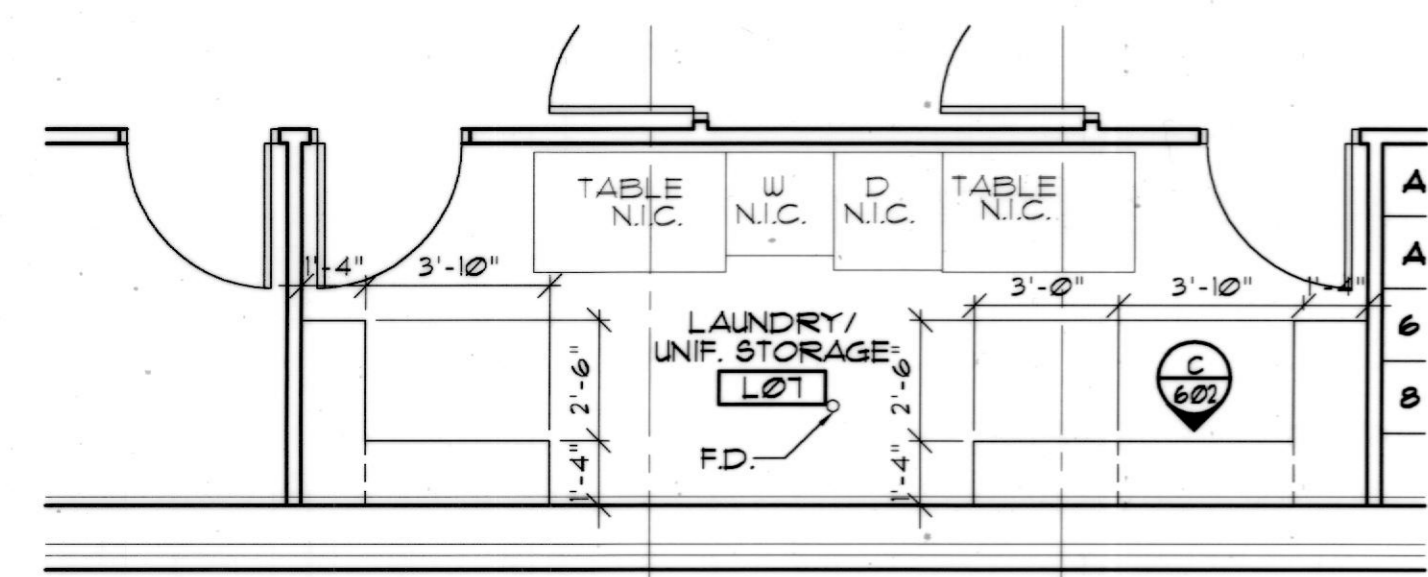


A B C D E F G H J K L M N P Q R S T U

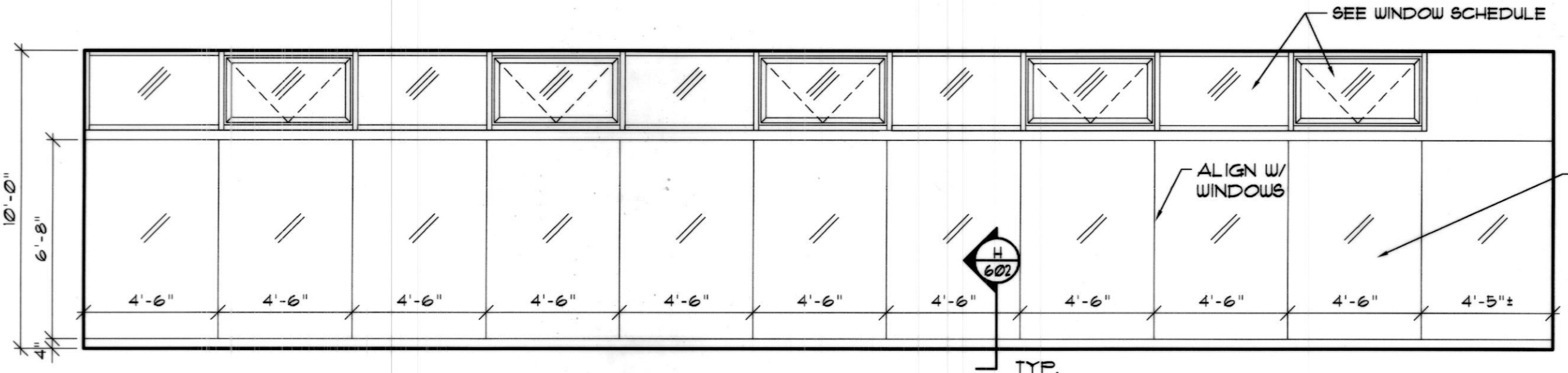
DRAWING NOTES



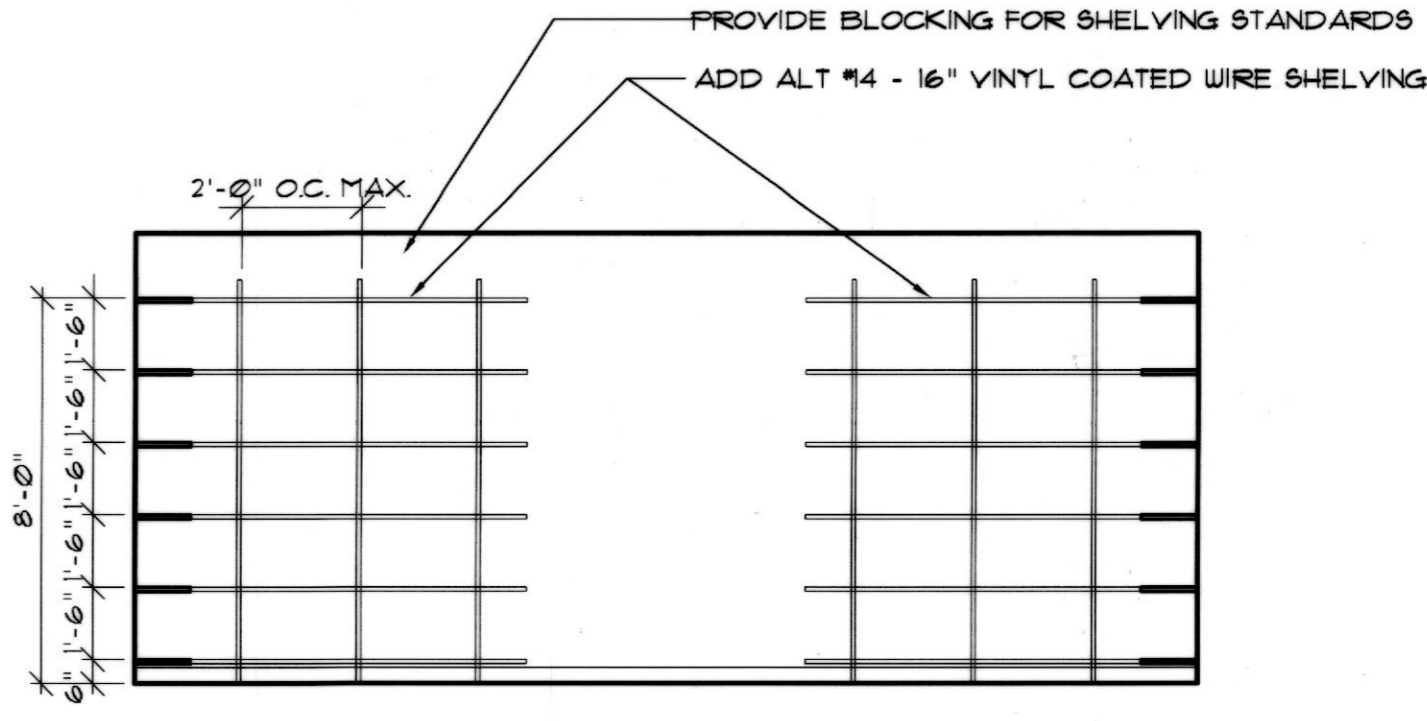
RUBELING & ASSOCIATES, INC.
ARCHITECTURE
INTERIOR DESIGN
401 JEFFERSON AVENUE
TOWSON, MARYLAND 21286-5308
410-337-2886
FAX: 410-337-2874



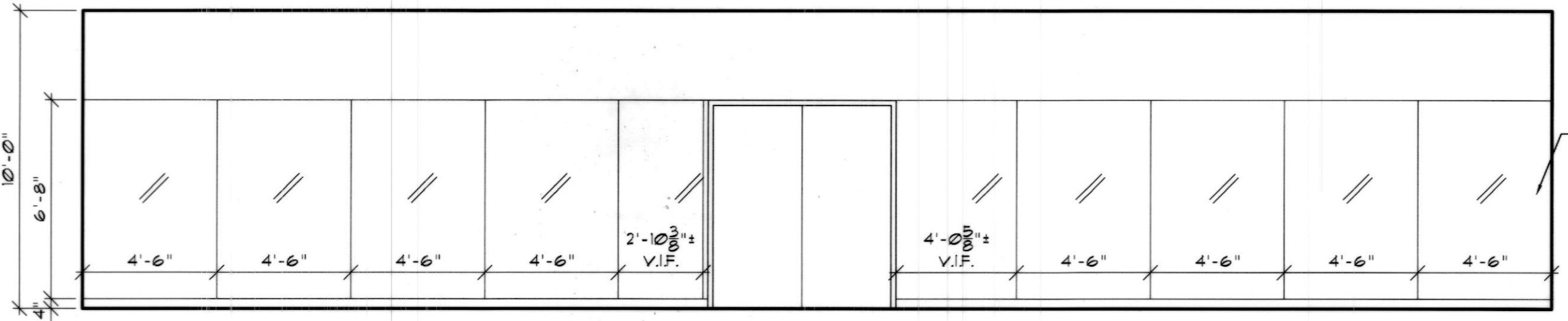
3A LOWER FLOOR PART PLAN
LAUNDRY ROOM
1/4"=1'-0"



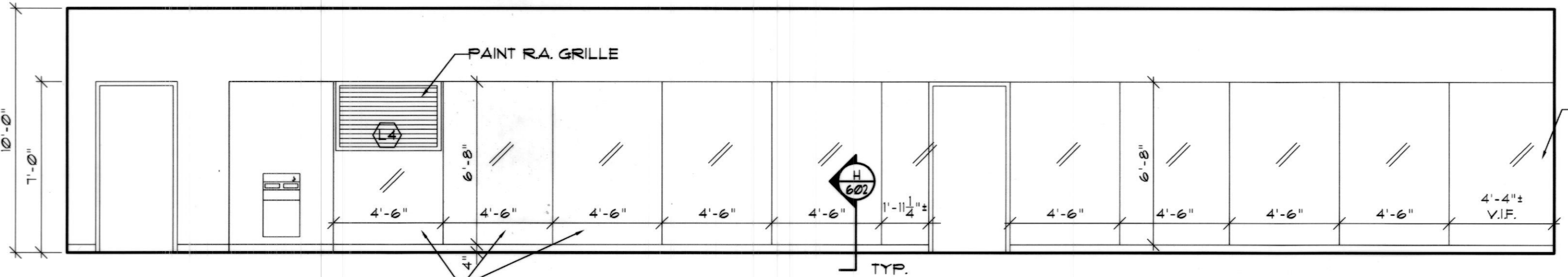
A ACTIVITY ROOM
EAST ELEVATION
1/4"=1'-0"
ADD ALTERNATE #6: Add mirrors to Fitness Room 129 and Activity Room L01.



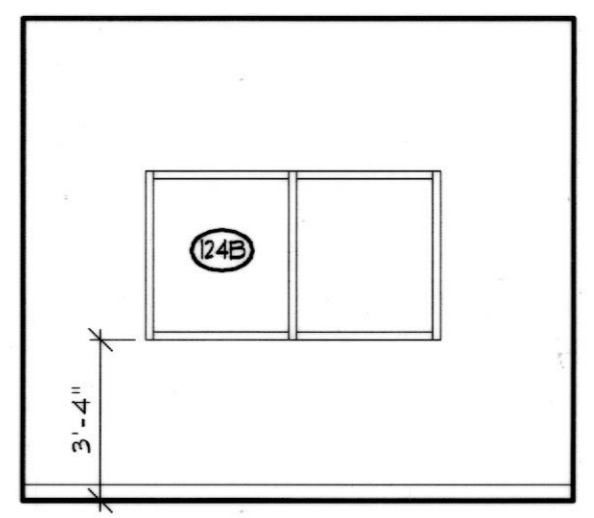
C LAUNDRY ROOM
EAST ELEVATION
1/4"=1'-0"
ADD ALTERNATE #4: Add the cost of the following millwork and shelving:
c. Laundry/Unif. Stor. L01 - Metal wire shelving, see C/A6/02



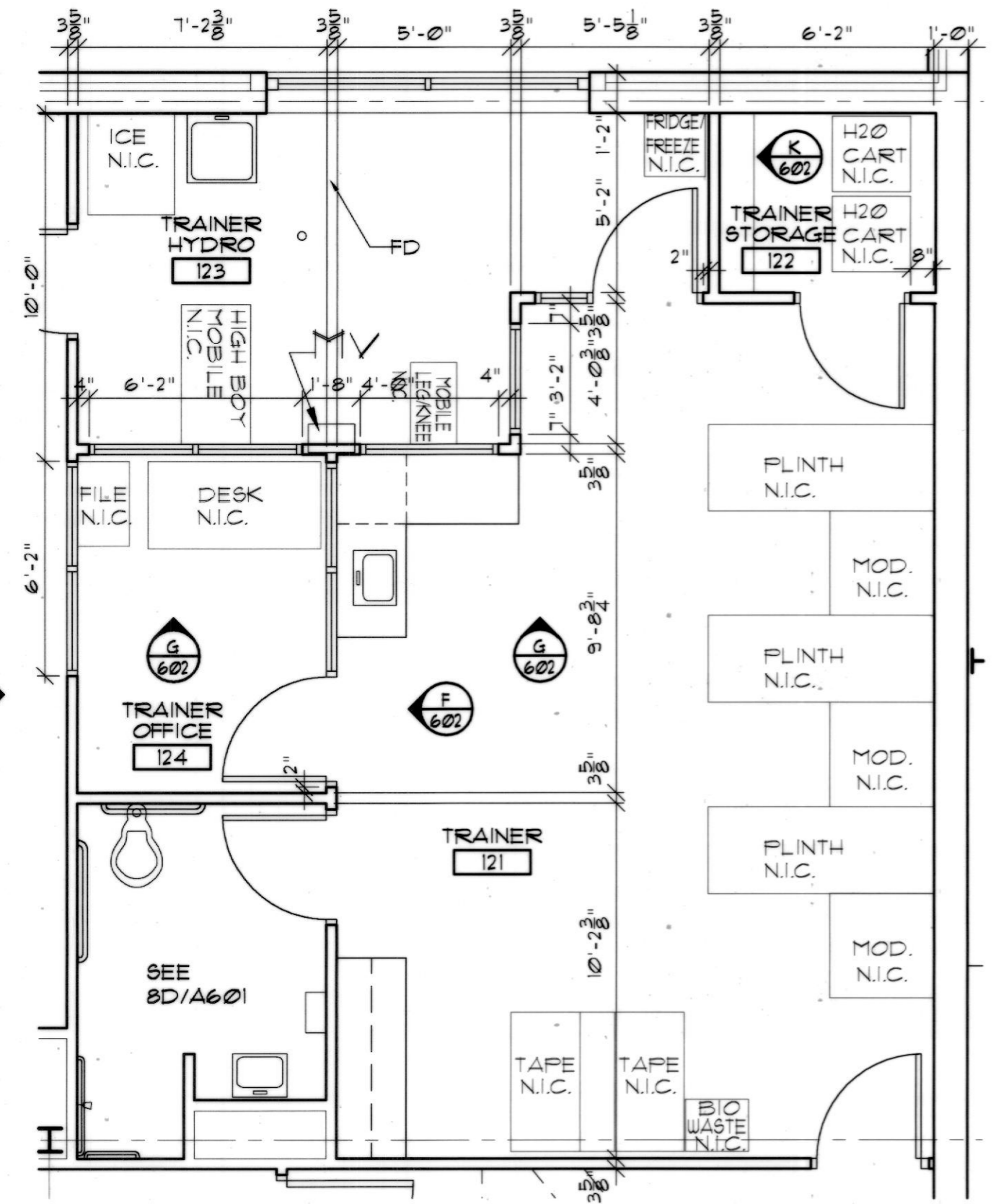
B ACTIVITY ROOM
WEST ELEVATION
1/4"=1'-0"
ADD ALTERNATE #6: Add mirrors to Fitness Room 129 and Activity Room L01.



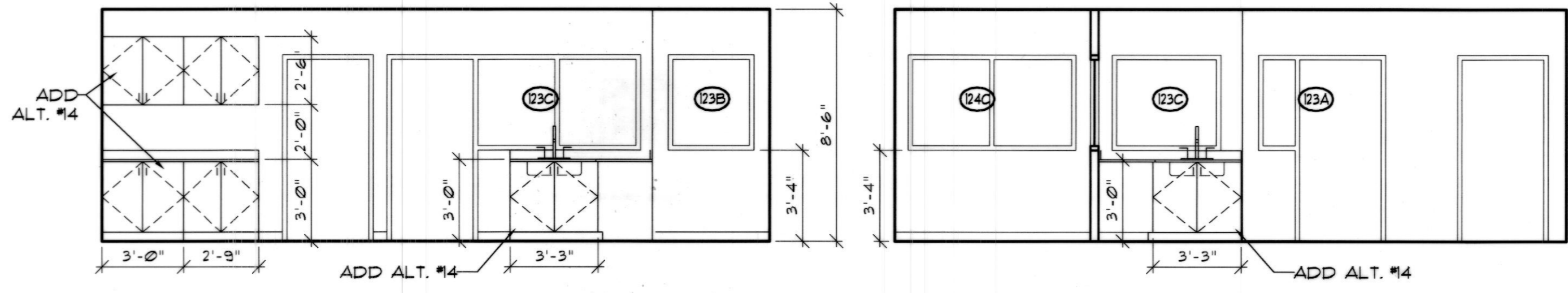
D FITNESS ROOM
EAST ELEVATION
1/4"=1'-0"
ADD ALTERNATE #6: Add mirrors to Fitness Room 129 and Activity Room L01.



E FITNESS ROOM
NORTH ELEVATION
1/4"=1'-0"



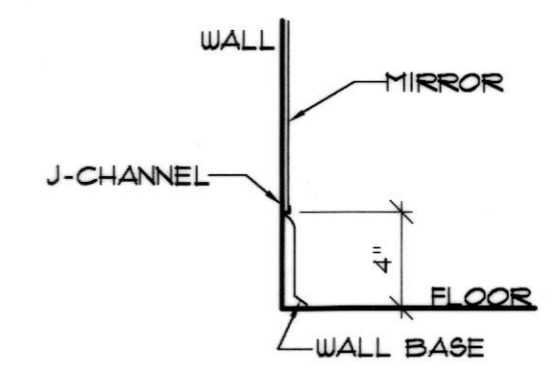
8B UPPER FLOOR PART PLAN
TRAINERS ROOM
1/4"=1'-0"



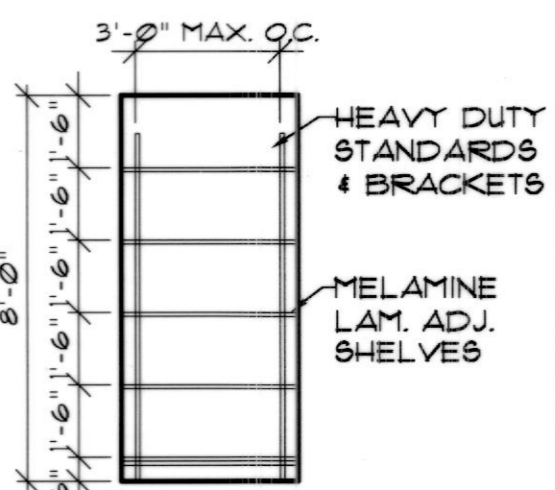
F TRAINERS ROOM
SOUTH ELEVATION
1/4"=1'-0"

G TRAINERS ROOM
WEST ELEVATION
1/4"=1'-0"

ADD ALTERNATE #4: Add the cost of the following millwork and shelving:
d. Trainer 121 - Base and wall cabinets. Plumbing rough in base bid, see F4G/A6/02

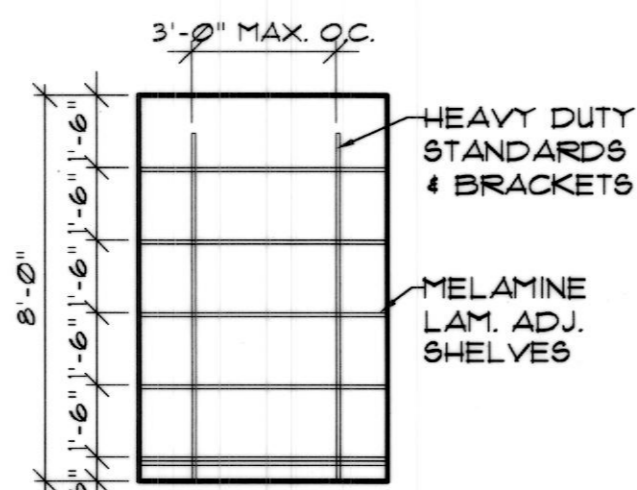


H MIRROR BASE DETAIL
1/4"=1'-0"



J CLOS. L19 & CLOS. L21
EAST ELEVATION
1/4"=1'-0"

ADD ALTERNATE #4: Add the cost of the following millwork and shelving:
a. Clo. L19 - Melamine Laminate Shelving, see J/A6/02
b. Locker Clo. L21 - Melamine Laminate Shelving, see J/A6/02



K TRAINER STOR. 122
SOUTH ELEVATION
1/4"=1'-0"

ADD ALTERNATE #4: Add the cost of the following millwork and shelving:
e. Trainer Stor. 122 - Melamine Laminate Shelving, see K/A6/02

SPORT AND FITNESS CENTER
NOTRE DAME PREPARATORY SCHOOL
815 HAMPTON LANE
TOWSON, MARYLAND 21286

REVISIONS:

NO.	DESCRIPTION	DATE
1	RECORD DWG.	09/09/09

LAST REV:
PROJECT NO.: 02-021
DATE: 6-21-03
SCALE: 1/4"=1'-0"
TITLE:
SERVICE ROOMS
ELEVATIONS

SHEET:
A
602