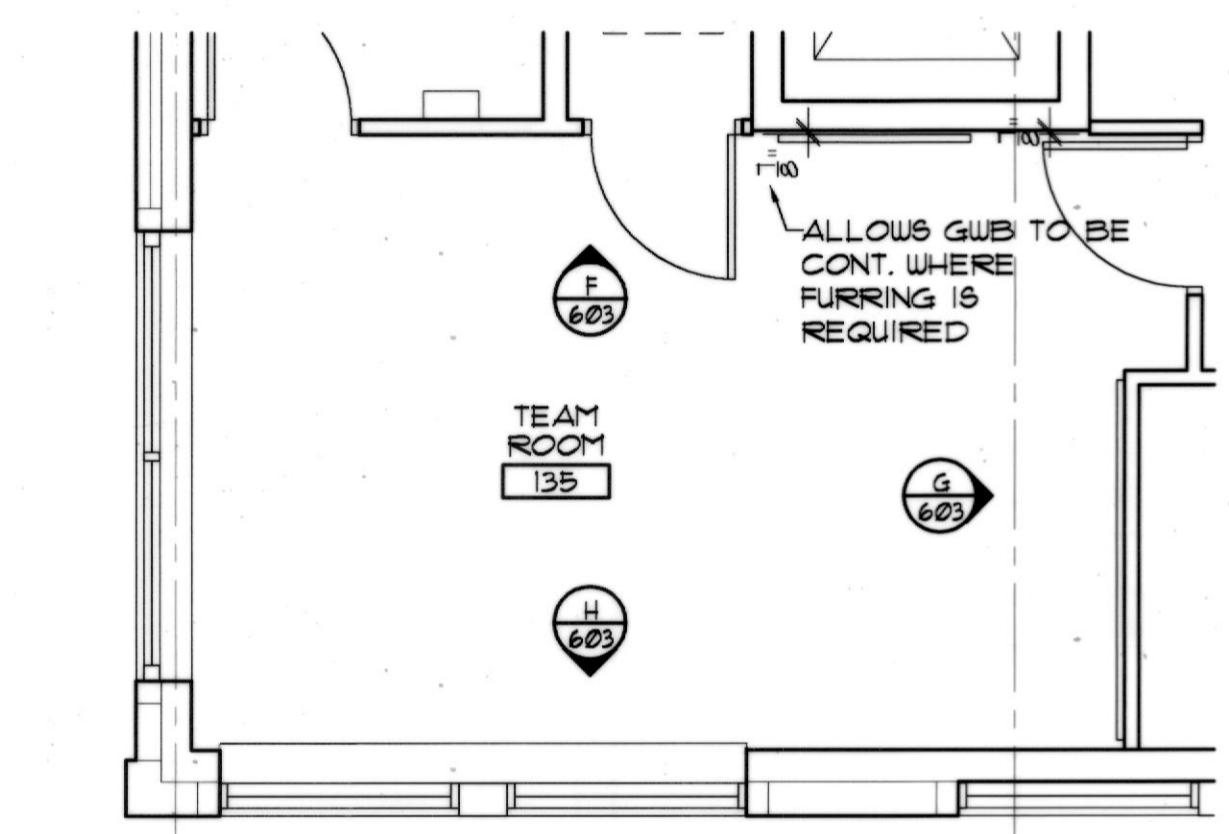
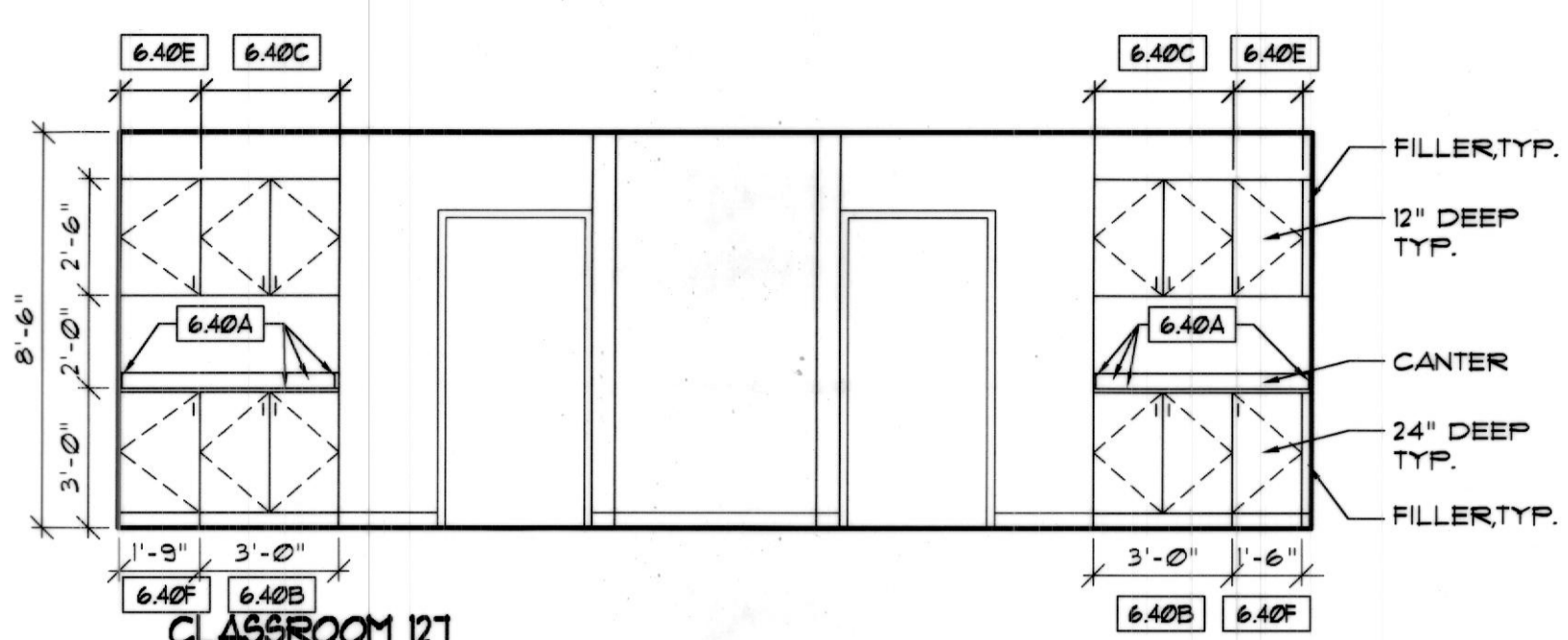


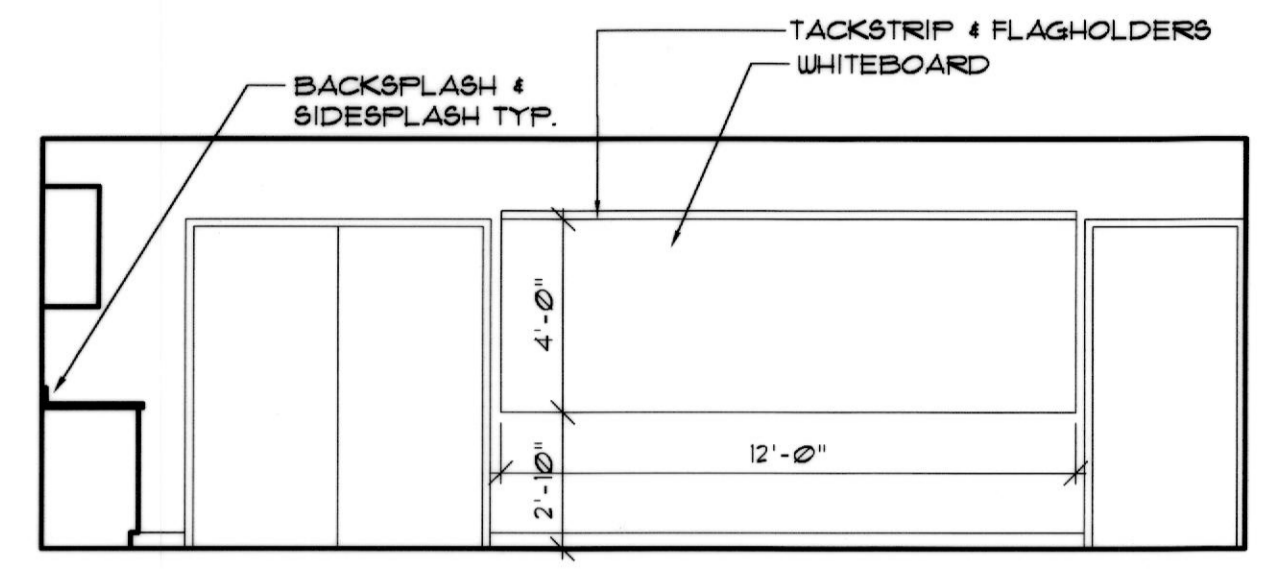
5A UPPER FLOOR PART PLAN CLASSROOM 121 1/4"=1'-0"



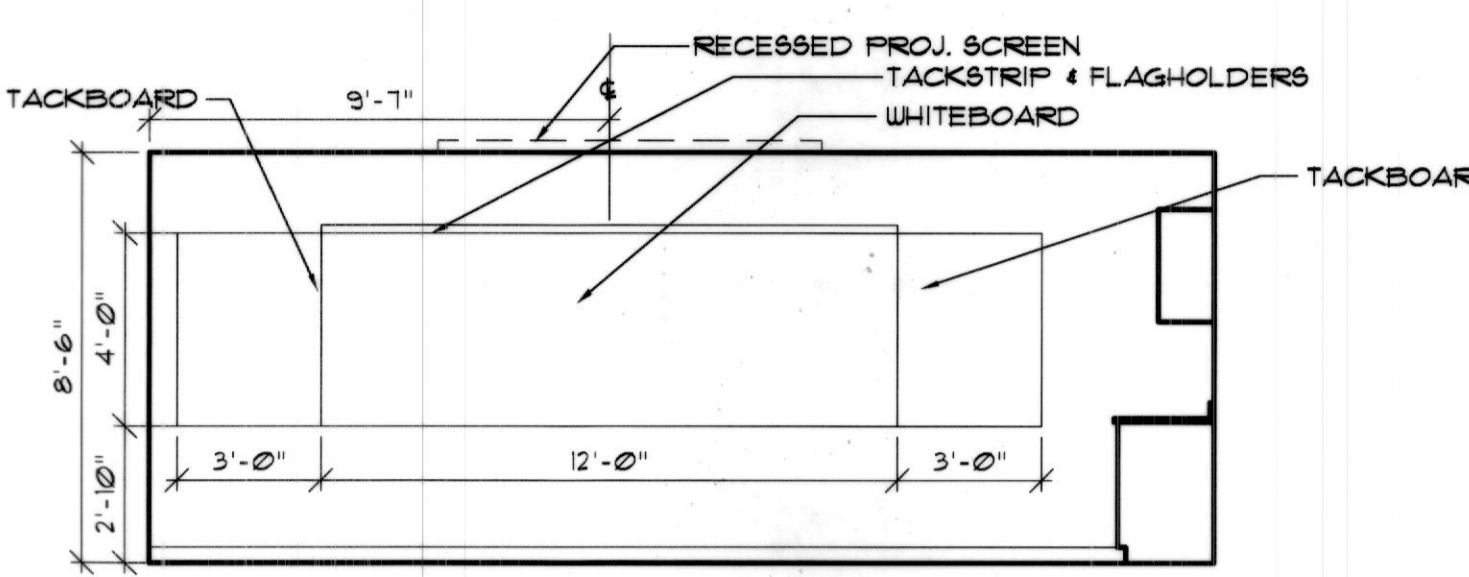
9A UPPER FLOOR PART PLAN TEAM ROOM 135 1/4"=1'-0"



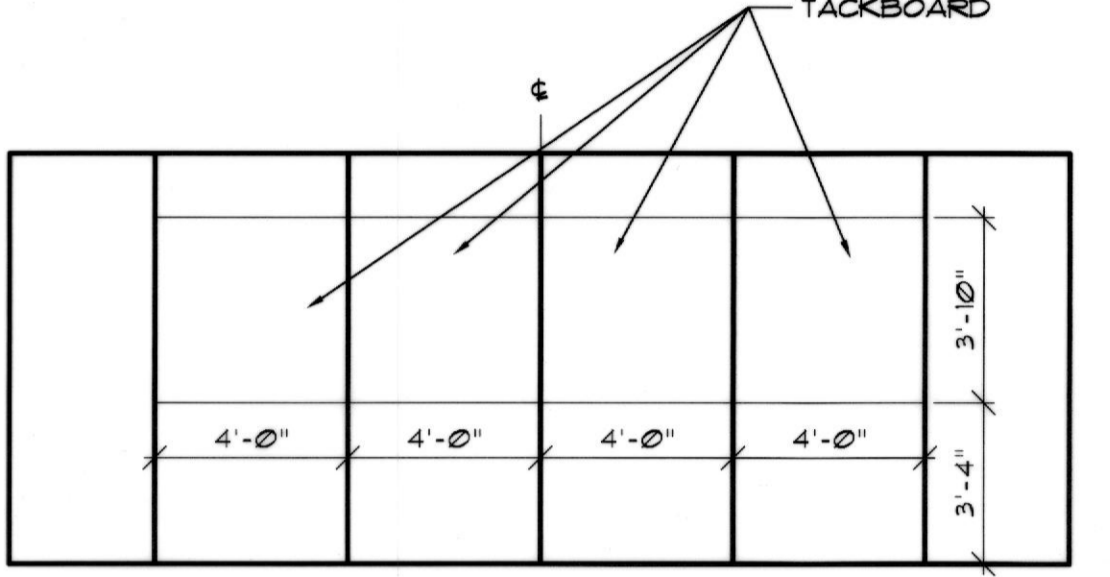
A CLASSROOM 121 WEST ELEVATION 1/4"=1'-0"  
ADD ALTERNATE #4: Add the cost of the following millwork and shelving:  
f. Classrm/Mtg./Concess. 121 - Base and wall cabinets, see A/A6@3



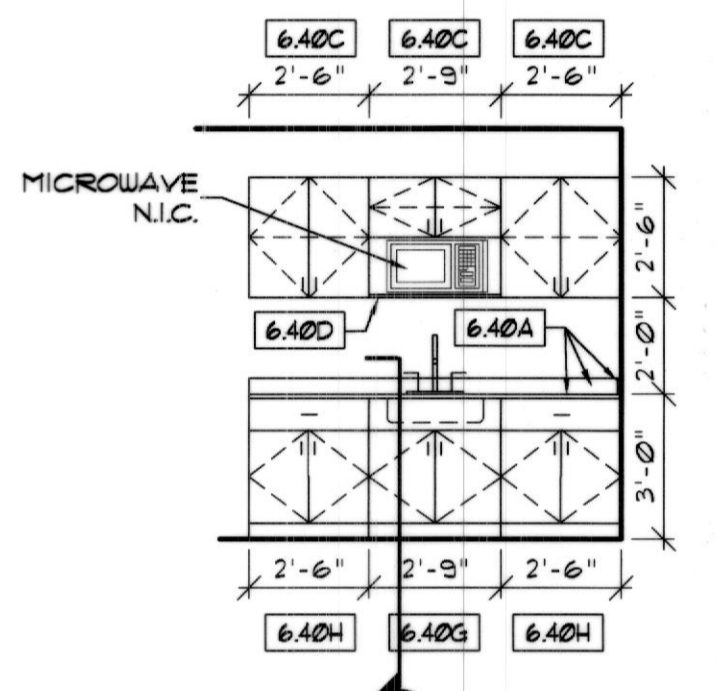
B CLASSROOM 121 NORTH ELEVATION 1/4"=1'-0"



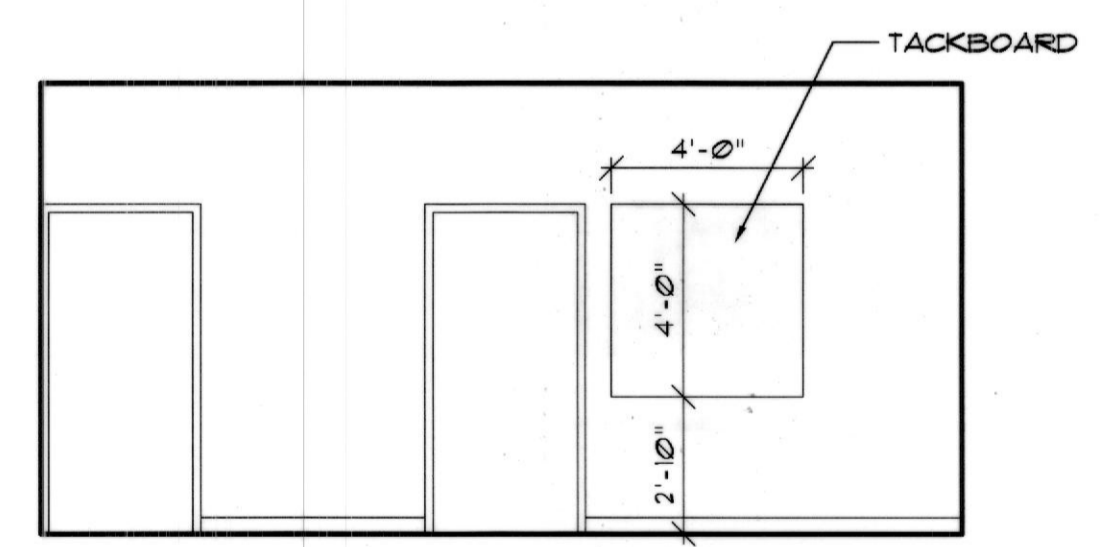
C CLASSROOM 121 SOUTH ELEVATION 1/4"=1'-0"



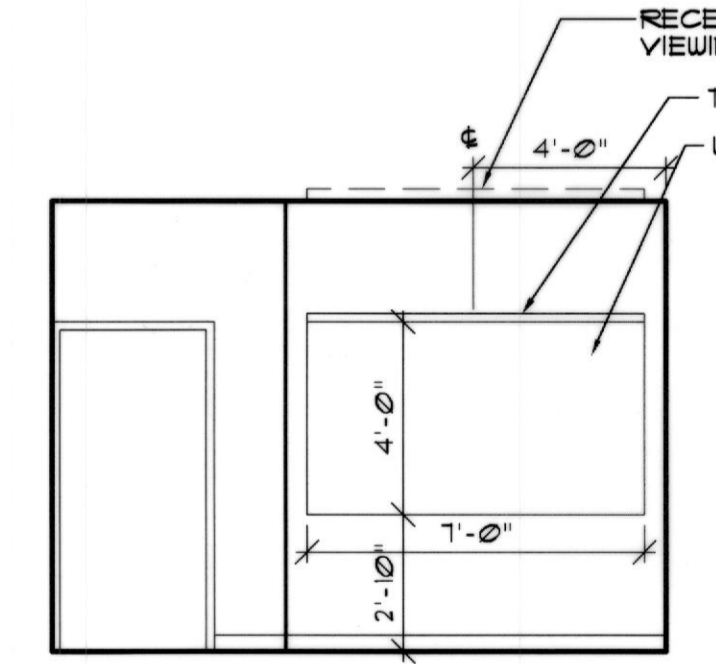
D CLASSROOM 121 MOVABLE PARTITION SOUTH ELEVATION 1/4"=1'-0"



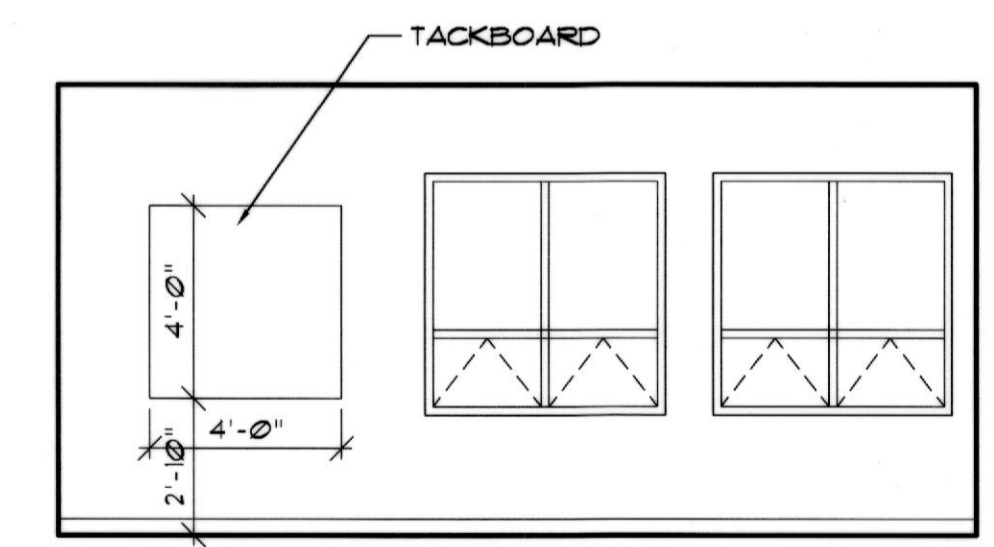
E CLASSROOM 128 WEST ELEVATION 1/4"=1'-0"  
ADD ALTERNATE #4: Add the cost of the following millwork and shelving:  
g. Kitchen Prep 128 - Base and wall cabinets. Plumbing rough in base bid, see E/A6@3



F TEAM ROOM 135 WEST ELEVATION 1/4"=1'-0"



G TEAM ROOM 135 NORTH ELEVATION 1/4"=1'-0"



H TEAM ROOM 135 EAST ELEVATION 1/4"=1'-0"

DRAWING NOTES

- 6.40A P. LAM. COUNTER W/ BACKSPLASH AND SIDESPLASHES, TYP.
- 6.40B 2-DOOR P. LAM. BASE CABINET, 24" DEEP.
- 6.40C 2-DOOR P. LAM. WALL CABINET, 14" DEEP.
- 6.40D P. LAM. MICROWAVE SHELF - DIMS BASED ON GE SPACEMAKER II W/ 10 CU. FT. CAPACITY. VERIFY DIMS. W/ ACTUAL APPLIANCE.
- 6.40E 1-DOOR P. LAM. WALL CABINET, 14" DEEP.
- 6.40F 1-DOOR P. LAM. BASE CABINET, 24" DEEP.
- 6.40G 2-DOOR P. LAM. SINK BASE CABINET W/8" APRON, 24" DEEP.
- 6.40H 2-DOOR P. LAM. BASE CABINET W/8" DRAWER, 24" DEEP.



SPORT AND FITNESS CENTER  
NOTRE DAME PREPARATORY SCHOOL  
815 HAMPTON LANE  
TOWSON, MARYLAND 21286

REVISIONS:		
NO.	DESCRIPTION	DATE
1	RECORD DUGS	05/05/09

LAST REV.:  
PROJECT NO.: 02-021  
DATE: 6-21-03  
SCALE: 1/4"=1'-0"  
TITLE:  
SERVICE ROOMS  
ELEVATIONS

SHEET: A

603