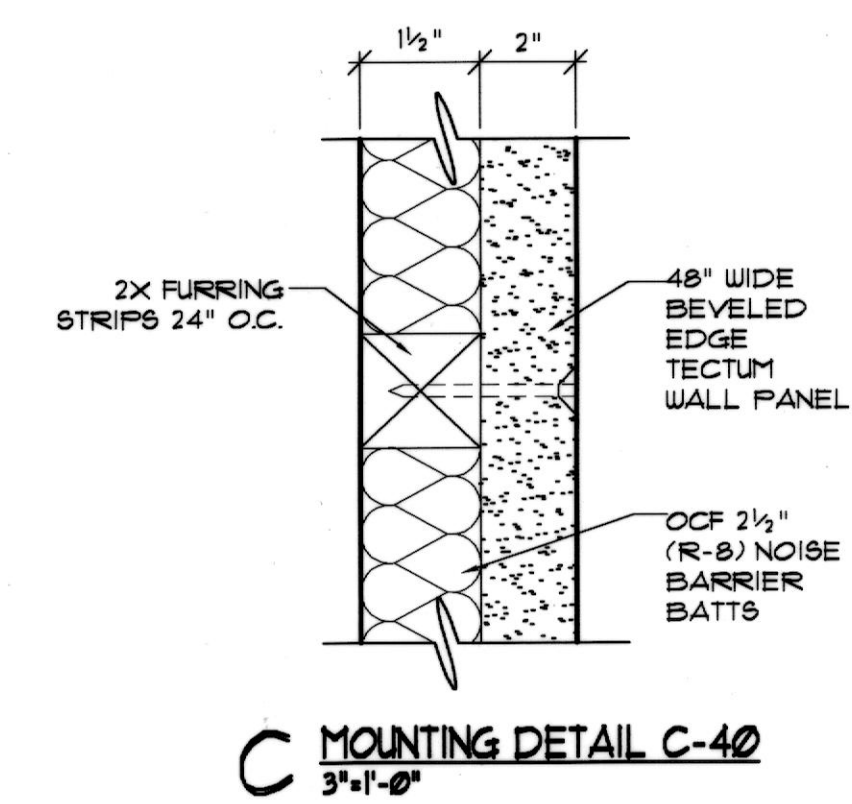


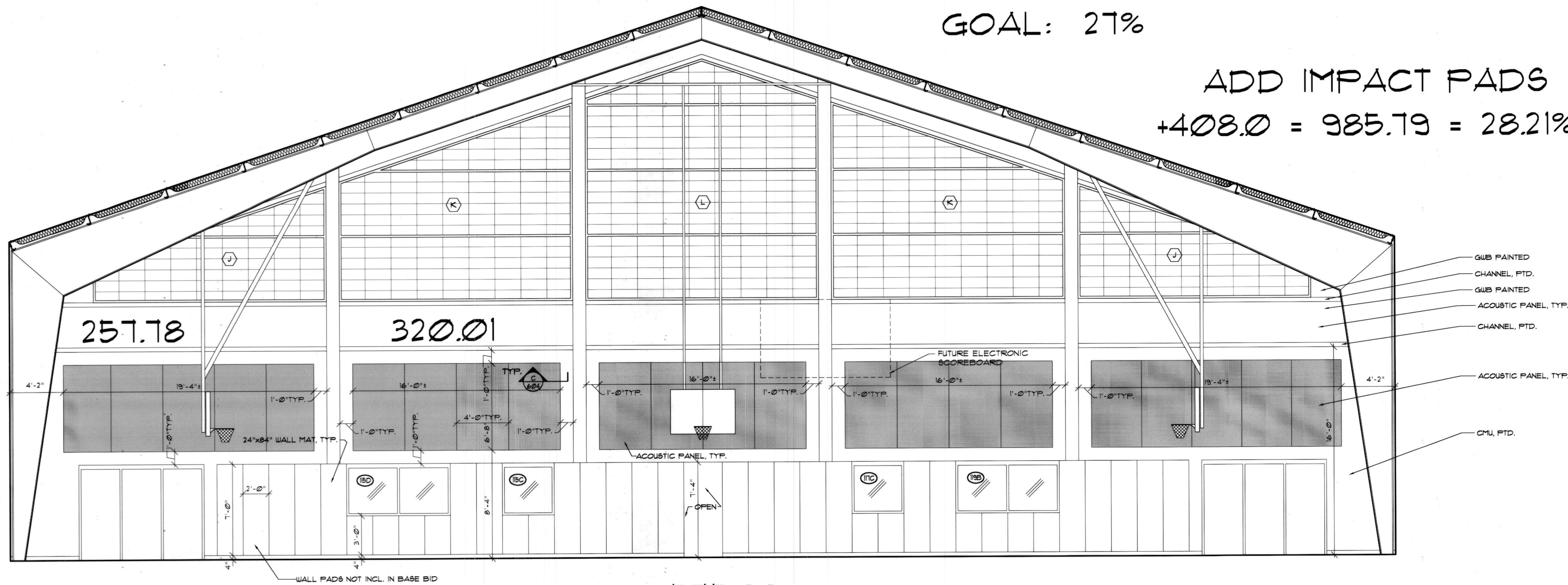


RUBELING & ASSOCIATES, INC.
 ARCHITECTURE
 INTERIOR DESIGN
 401 JEFFERSON AVENUE
 TOWSON, MARYLAND 21286-9308
 410-337-2886
 FAX: 410-337-2874

577.79/
 3494.38
 =16.53%
 GOAL: 27%



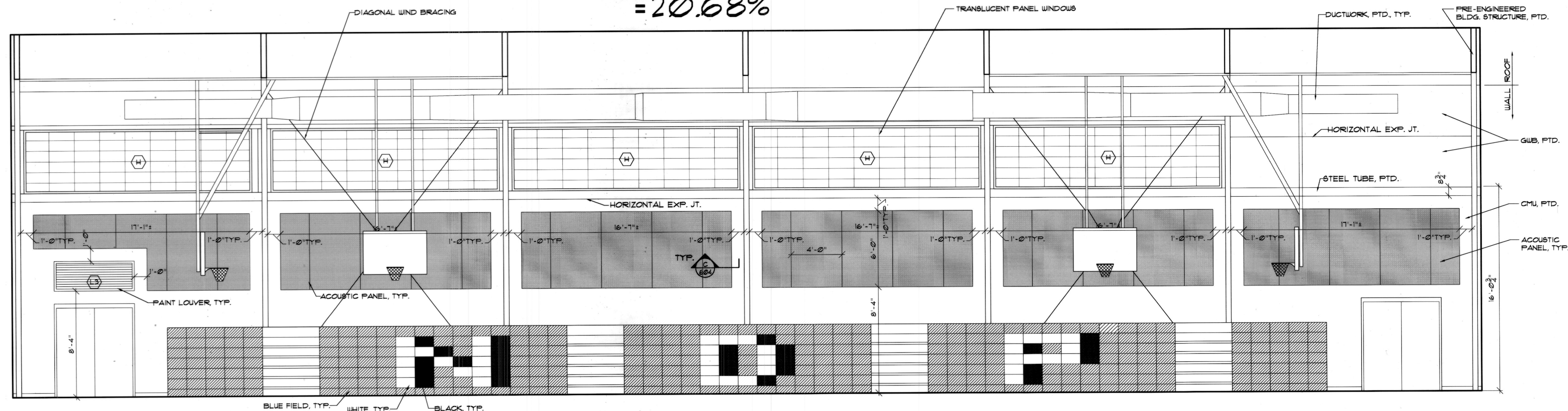
ADD IMPACT PADS
 +408.0 = 985.79 = 28.21%



A GYMNASIUM EAST ELEVATION
 1/4" = 1'-0"

ADD ALTERNATE #0: Add the cost of the wall pads.
 ADD ALTERNATE #2: Add the cost of the acoustic wall panels.

575.88
 2784.0 GOAL: 23%
 =20.68%



B GYMNASIUM NORTH ELEVATION
 1/4" = 1'-0"

ADD ALTERNATE #2: Add the cost of the acoustic wall panels.

SPORT AND FITNESS CENTER
 NOTRE DAME PREPARATORY SCHOOL
 815 HAMPTON LANE
 TOWSON, MARYLAND 21286

REVISIONS:

NO.	DESCRIPTION	DATE
1	RECORD DWG.	05/05/03

LAST REV.:

PROJECT NO.: 02-031
 DATE: 6-21-03
 SCALE: 1/4" = 1'-0"
 TITLE: GYMNASIUM ELEVATIONS

SHEET:

A

604