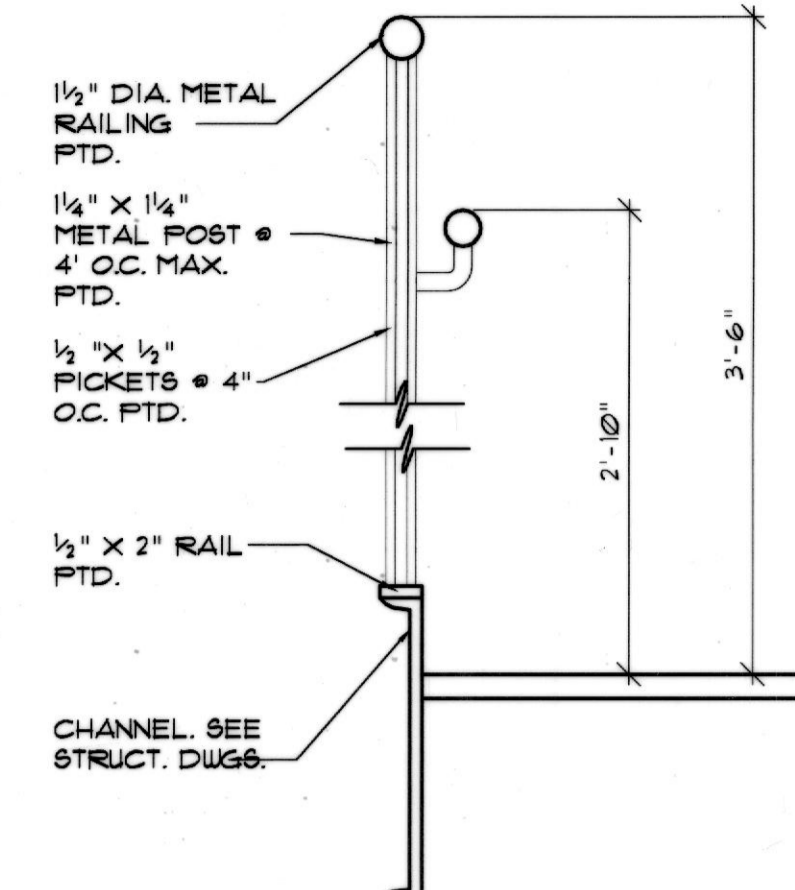
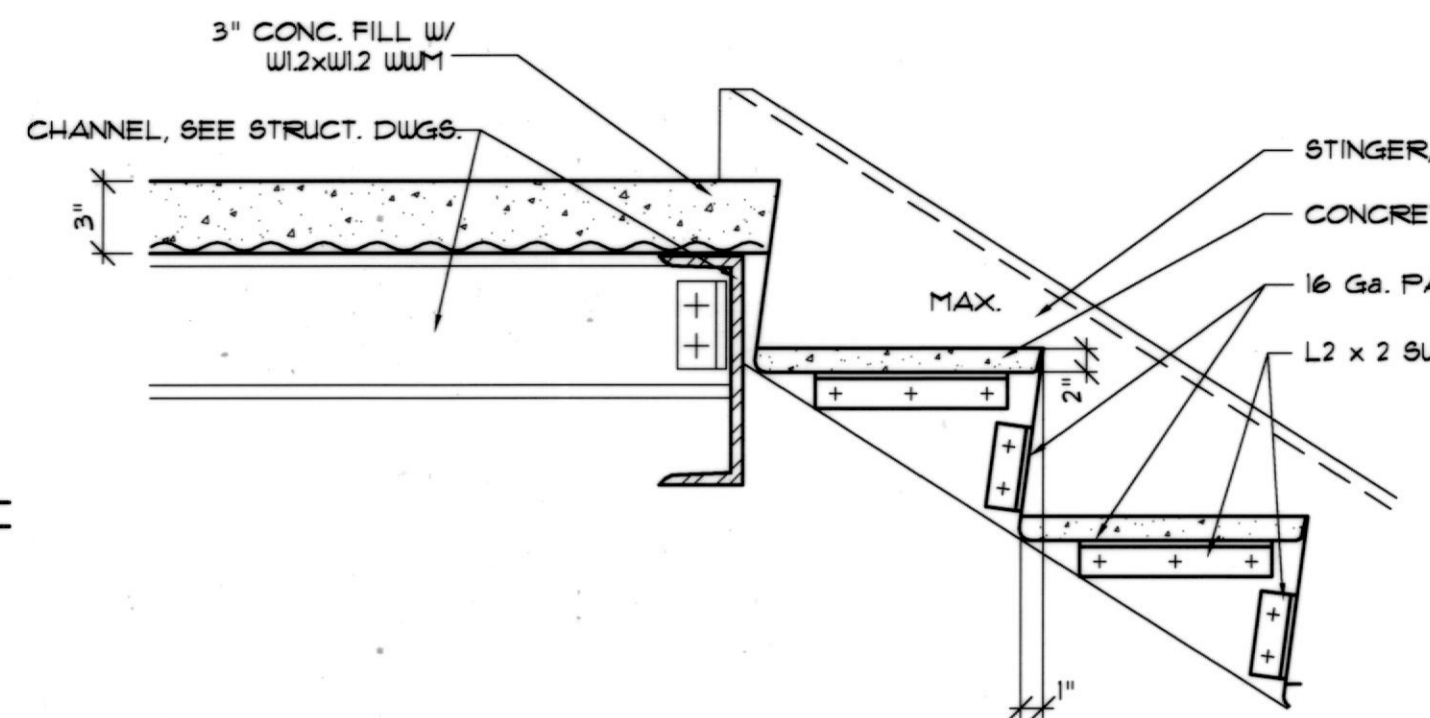


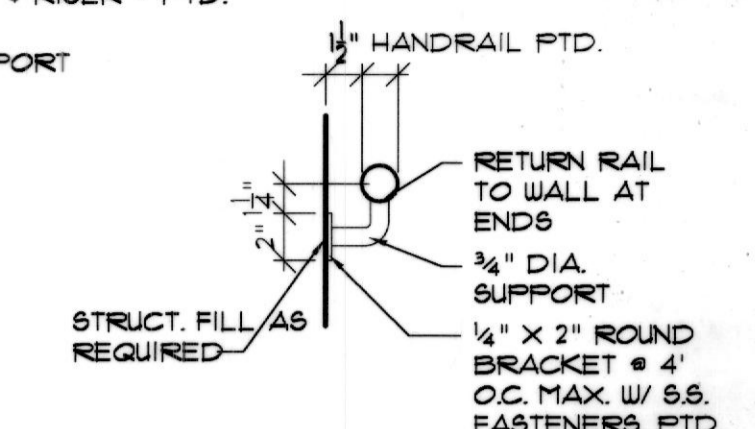
A B C D E F G H J K L M N P Q R S T U



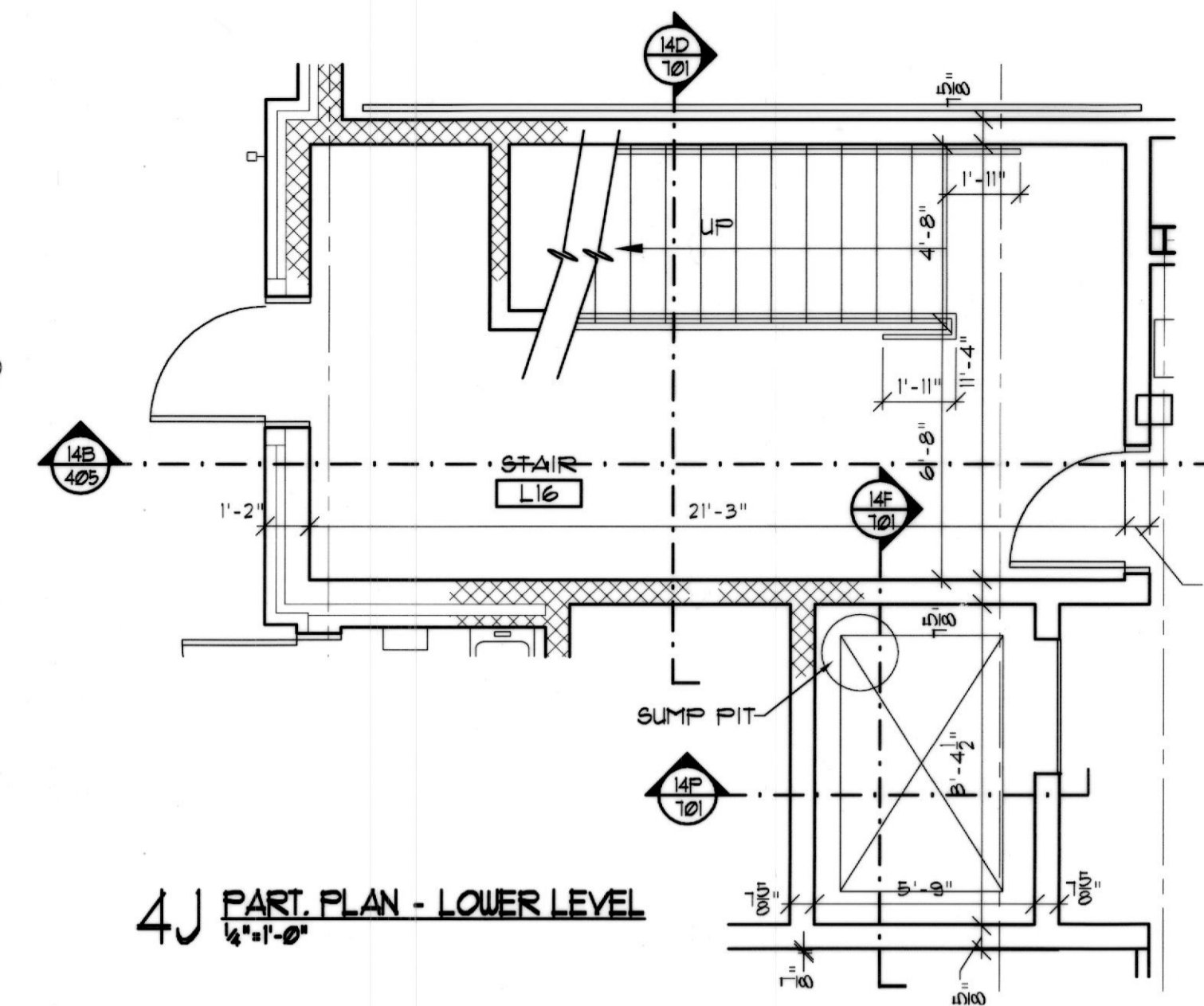
4C GUARDRAIL DETAIL  
1/2" x 2" PTD.



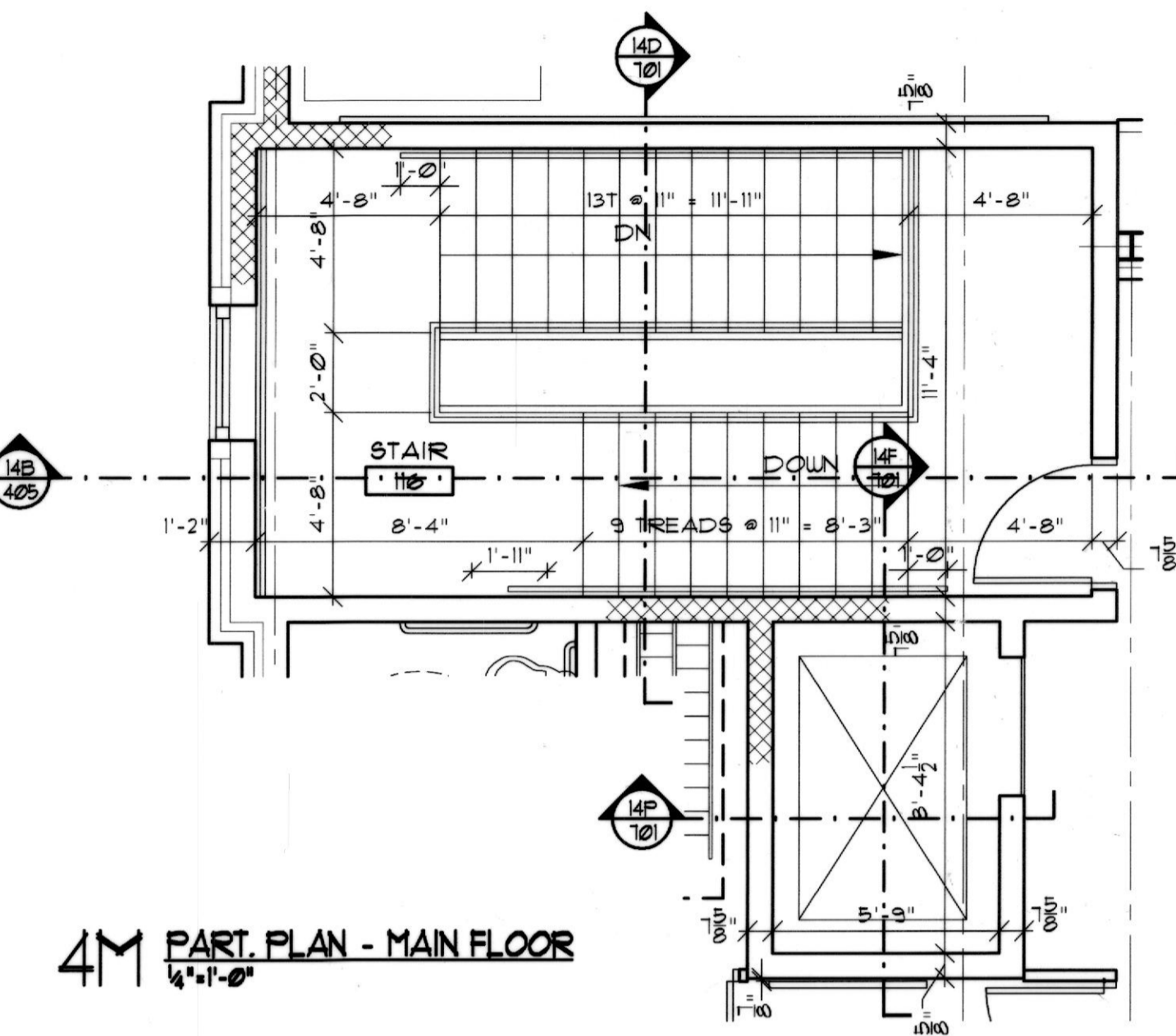
4D SECTION DETAIL  
1/2" x 1" PTD.



4E WALL RAIL DETAIL  
1/2" x 2" PTD.



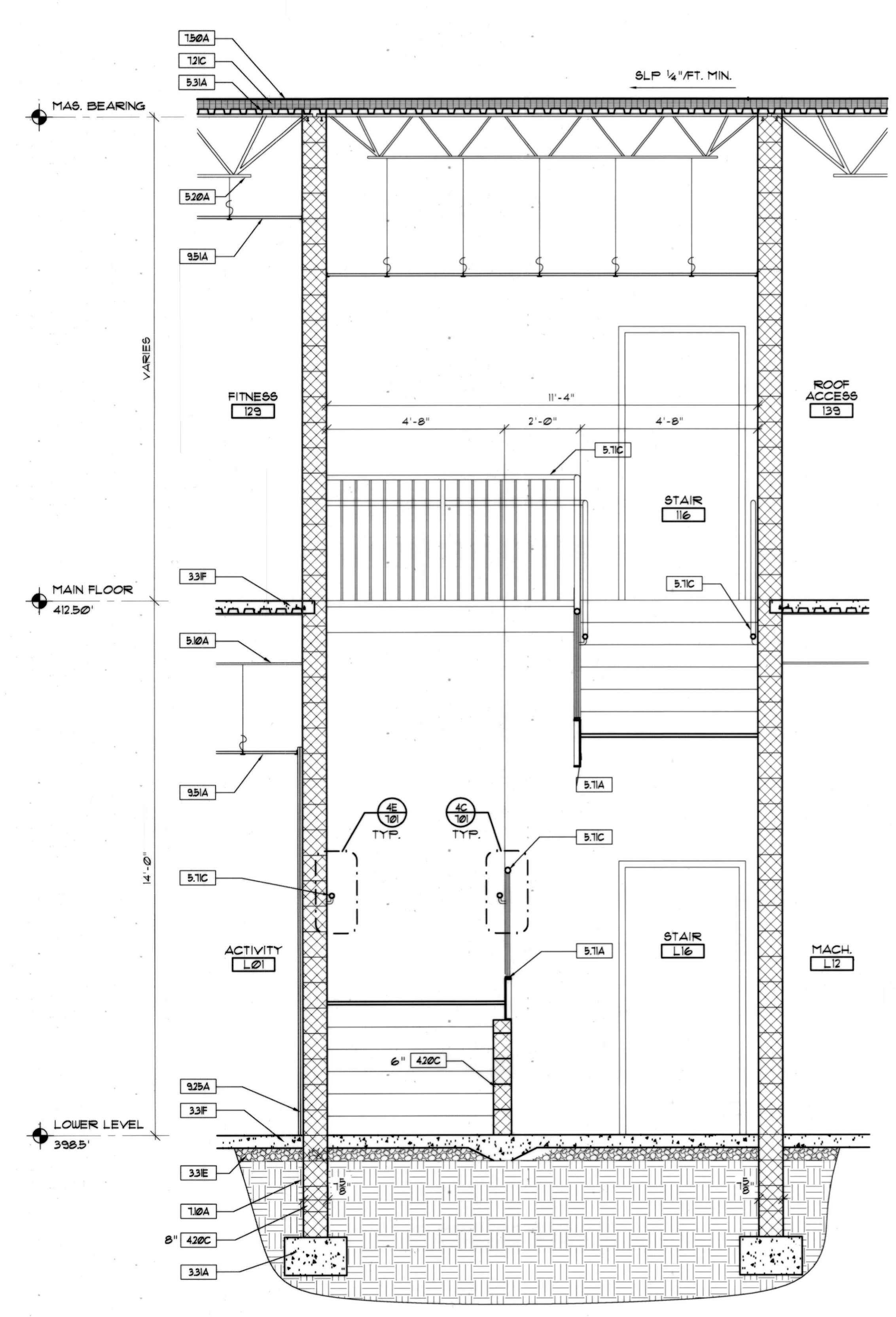
4J PART PLAN - LOWER LEVEL  
1/4" = 1' - 0"



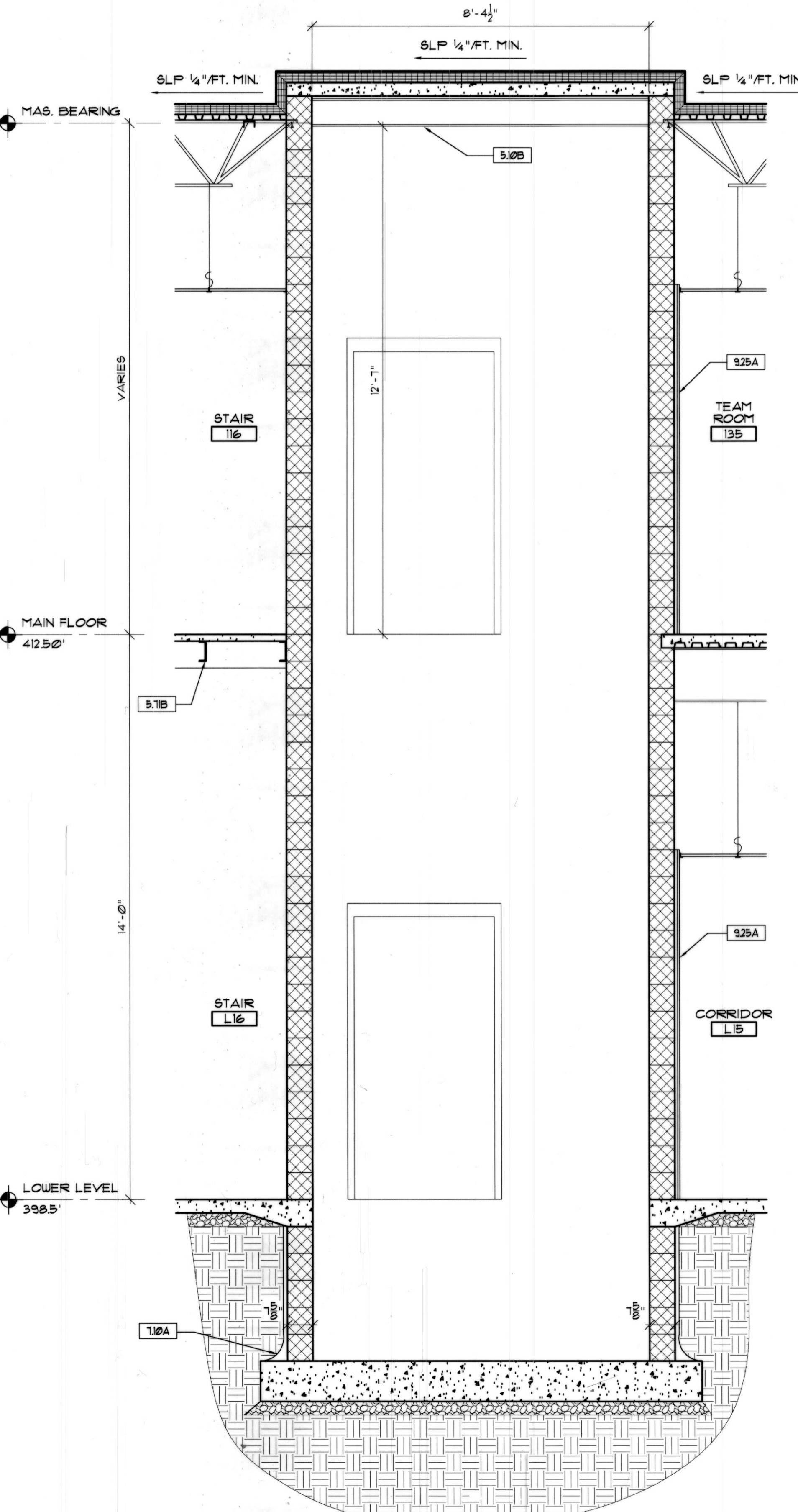
4M PART PLAN - MAIN FLOOR  
1/4" = 1' - 0"

DRAWING NOTES

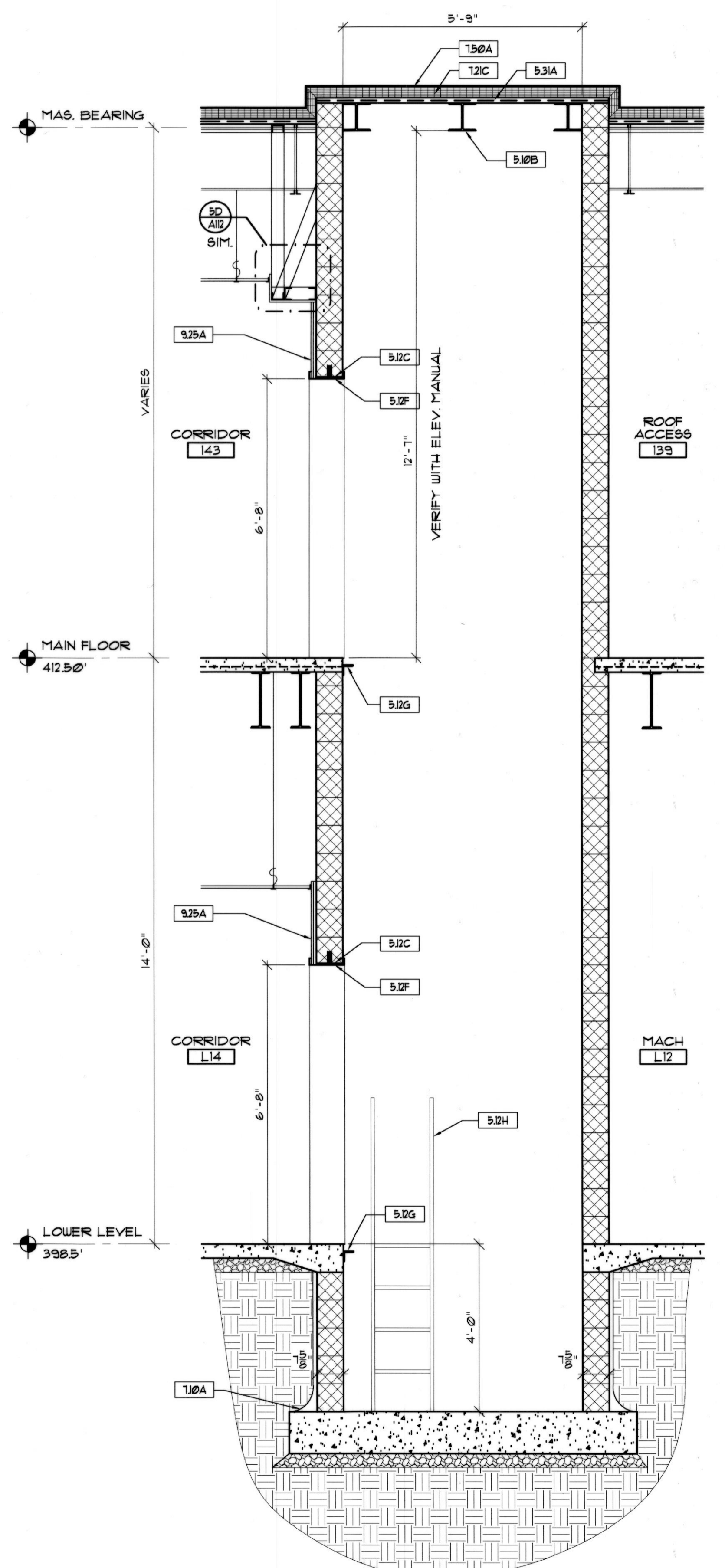
- 331A CONCRETE FOOTING - SEE STRUCT. DUGS.
- 331B 8" CONCRETE SLAB ON GRADE w/ 6#x8-12@3'x2@3' W/P. ON VAPOR BARRIER. SEE STRUCT. DUGS.
- 331C TURNED DOWN CONC. SLAB - SEE STRUCT. DUGS.
- 331D 4" PERFORATED CONT. DRAIN - TIE INTO STORMDRAINS - SEE CIVIL DUGS.
- 331E 4" GRAVEL w/ 1/2" VAPOR BARRIER.
- 331F 3/4" LIGHTWEIGHT CONC. SLAB w/ 6#x8-12@3'x2@3' AND 1/2" CORR. METAL DECK - SEE STRUCT. DUGS.
- 331G THICKENED SLAB - SEE STRUCT. DUGS.
- 331H 2'-0" x 1/2" S.A. DOSEL.
- 331I CONC. CURB.
- 331J CONC. WALK - SEE CIVIL DUGS.
- 331K ISOLATION JOINT FILLER STRIP.
- 331L PRECAST CONC. HEAD.
- 331M PRECAST CONC. SILL.
- 420A AGGREGATE CHU w/ JOINT REINFORCING 1/2" O.C. - SEE PATTERN 488-...
- 420B BUTLER STONE VENEER ANCHORS 1/2" EACH WAY.
- 420C CHU w/ JOINT REINFORCING 1/2" O.C.
- 420D BOND BEAM. SEE STRUCT. DUGS.
- 420E REIN. CHU WALL - SEE STRUCT.
- 420F SPLITFACE CHU w/ VENEER ANCHORS 1/2" EACH WAY.
- 420G "IVANY" BLOCK CHU w/ TRUSS-TYPE REIN. 1/2" O.C. MAX. VERTICALLY, AND HORIZ. BARS - SEE STRUCT. DUGS.
- 420H "IVANY" SPLITFACE BLOCK w/ TRUSS-TYPE REIN. 1/2" O.C. MAX. VERTICALLY, AND HORIZ. BARS - SEE STRUCT. DUGS.
- 530A BEAM - SEE STRUCT. DUGS.
- 530B HOIST BEAM - SEE STRUCT. DUGS.
- 530C HAT CHANNEL 1/2" O.C.
- 530D ANGLE - SEE STRUCT. DUGS.
- 530E LINTEL, PTD. - SEE STRUCT. DUGS.
- 530F CHANNEL, PTD.
- 530G 3/4" KICKER, 4'-0" O.C.
- 530H 3/4"x2"x1/2" STEEL SILL ANGLE - COORD. W/ ELEVATOR MANUFACTURER.
- 530I STEEL LADDER.
- 530J TUBE STEEL - SEE STRUCT. DUGS.
- 530K 3/4" x 4 1/2" L.L.V. ANGLE.
- 530L METAL JOIST - SEE STRUCT. DUGS.
- 530M KICKER 4'-0" O.C. - SEE STRUCT. DUGS.
- 530N 1 1/2" GALV. METAL ROOF DECK.
- 530O 2" GALV. COMPOSITE METAL DECK.
- 530P 4" B.G.A. METAL STUD, 16" O.C. w/ 9/16" GUS. PTD.
- 530Q 4" B.G.A. METAL STUD, 16" O.C. w/ 9/16" GUS. PTD.
- 530R ALTERNATING TREAD STAIR.
- 530S METAL PAN STAIRS w/ CHANNEL STRINGER.
- 530T CHANNEL - SEE STRUCT. DUGS.
- 530U GUARDRAILS/ HANDRAILS - SEE DETAILS 4C/4E/4D/4E.
- 530V STAIR CHANNEL.
- 530W SILL - SEE DOOR SCHEDULE.
- 630A WOOD SILL, STAINED TO MATCH DOORS.
- 630B 1/2" O.D. PLYWOOD.
- 630C 1/2" OSB.
- 630D 1/2" CEMENTITIOUS SHEATHING BOARD.
- 630E WOOD BLOCKING.
- 630F 1/2" FIRE TREATED PLYWOOD.
- 110A WATERPROOFING MEMBRANE & PROTECTION BOARD/FOUNDATION DRAINAGE MATTING.
- 110B 1/2" DRAIN BOARD w/ FILTER CLOTH.
- 110C BITUMINOUS DAMPROOFING.
- 110D BITUMINOUS COATING ON CHU.
- 110E R15 BATT INSULATION w/ VAPOR BARRIER.
- 110F 2" RIGID INSULATION.
- 110G 2" PERIMETER INSULATION.
- 110H ROOF INSULATION 3" MINIMUM.
- 110I EPS ON 1" RIGID INSULATION ON 1/2" CEMENTITIOUS SHEATHING BOARD.
- 110J EPS ON 2 1/2" RIGID INSULATION ON 1/2" CEMENTITIOUS SHEATHING BOARD.
- 110K PREFINISHED ALUM. PANEL.
- 110L THRU-WALL FLASHING w/ SLEEPOLES 2'-0" O.C.
- 110M 6"x6" CLEAR ANODIZED ALUMINUM PANEL.
- 110N ALUMINUM SILL EXTENSION.
- 110O CAP FLASHING.
- 110P 6"x6" CLEAR ANODIZED ALUMINUM COPING.
- 110Q EPDM MEMBRANE ROOFING.
- 110R ALUMINUM COPING - CLEAR ANODIZED.
- 110S ROOF HATCH.
- 620A HM. FRAME - SEE DOOR SCHEDULE.
- 620B WOOD DOOR - SEE DOOR SCHEDULE.
- 620C ALUM. STOREFRONT.
- 620D ALUM. STOREFRONT DOOR.
- 620E CURTAIN WALL.
- 620F CURTAIN WALL DOOR.
- 620G CURTAIN WALL CAP USED AS TRIM.
- 620H ALUMINUM WINDOW.
- 620I TRANSLUCENT FIBERGLASS SANDWICH PANEL WALL ASSEMBLY.
- 620J ALUMINUM SILL EXTENSION.
- 620K CEILING GRID SYSTEM SHADOW MOLDING.
- 620L 1/2" RUNNERS w/ 24" O.C. WITH 1/2" GUS. PTD.
- 620M 1 1/2" RIGID INSULATION WITH 1 1/2" 2-RUNNERS w/ 24" O.C. WITH 1/2" GUS. PTD. - EXTEND INSULATION TO DECK ABOVE.
- 620N 1/2" GUS. PTD.
- 620O 3/4" MET. STUD w/ 1/2" GUS. PTD.
- 620P 1/2" REVEAL TRIM, SPACKLE FLUSH.
- 620Q SUSPENDED ACOUSTIC CEILING PANEL ASSEMBLY - SEE FINISH SCHEDULE.
- 620R 6"x6" FLOORING.
- 620S GYMNASIUM FLOATING WOOD ATHLETIC FLOOR SYSTEM w/ FLOOR FANS. PROVIDE VAPOR PROOFING FOAM OVER POLYETHYLENE VAPOR BARRIER ON CONC. ST GRADE MARBLE THROUGHOUT. TRANSITIONS TO 3RD GRADE MARBLE BELOW FLOOR. CLOSED BLEACHERS ONLY. SEE FIN. SCHED. PROVIDE SOLID BLOCKING UNDER OPEN BLEACHERS.
- 620T ACTIVITY ROOM FLOATING WOOD ATHLETIC FLOOR SYSTEM. PROVIDE VAPOR PROOFING FOAM OVER POLYETHYLENE VAPOR BARRIER ON CONC. LOCKER - SEE FLOOR PLANS.
- 620U MOTORIZED ROLLER SHADE w/ MAN. STD. POCKET FOR MOUNTING.
- 620V GABLE ANGLE.
- 620W CLOSURE PANEL BY BLEACHER MANUFACTURE.
- 620X CLOSURE.
- 620Y ELECTRICALLY OPERATED BLEACHERS.
- 620Z LEAVE STRUT.
- 620AA BUILDING FRAME CLEAR SPAN (RP), PTD. P-4 - SEE FINISH SCHED.
- 620AB GUTTER.
- 620AC CHANNEL GIRT w/ SAG ROD.
- 620AD Z-GIRT.
- 620AE CHANNEL GIRT BEAM.
- 620AF SIDEWALL FLASHING.
- 620AG PURLIN, PTD. P-4 - SEE FINISH SCHED.
- 620AH METAL ROOF (SCL) - SYSTEM.
- 620AI STRUCTURAL WITH GIRT & CLIP, PTD. P1 - SEE FINISH SCHED.
- 620AJ RAKE TRIM.
- 620AK 6" FIBER GLASS INSULATION AND VAPOR RETARDER - PERFORATED FOR MAXIMUM ACOUSTIC PERFORMANCE.
- 620AL METAL WALL PANELS w/ AGGREGATE PAINT.
- 620AM OS. ELEVATOR DOOR FRAME.
- 620AN MECH. SUPPLY VENT - SEE MECH. DUGS.



14D WALL SECTION  
1/4" = 1' - 0"



14F WALL SECTION  
1/4" = 1' - 0"



14P WALL SECTION  
1/4" = 1' - 0"

SPORT AND FITNESS CENTER  
NOTRE DAME PREPARATORY SCHOOL  
815 HAMPTON LANE  
TOWSON, MARYLAND 21286

REVISIONS:

NO.	DESCRIPTION	DATE

LAST REV. PROJECT NO.: 07-071  
DATE: 6-27-03  
SCALE: 1/8" = 1' - 0"  
TITLE: WALL SECTION

SHEET: A  
101