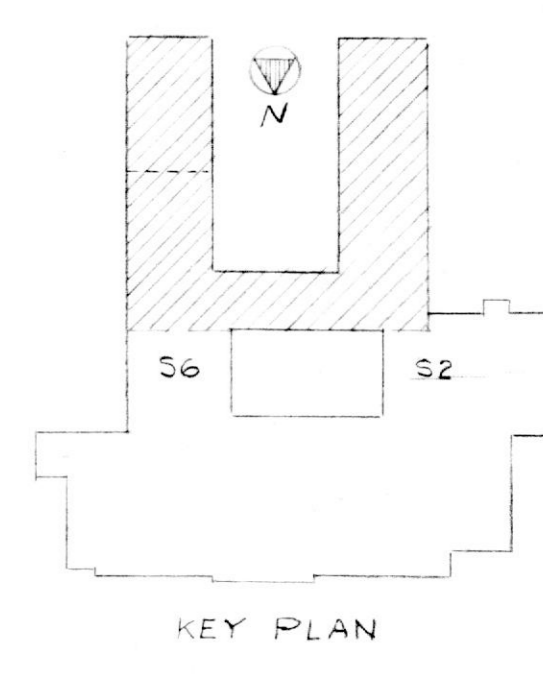
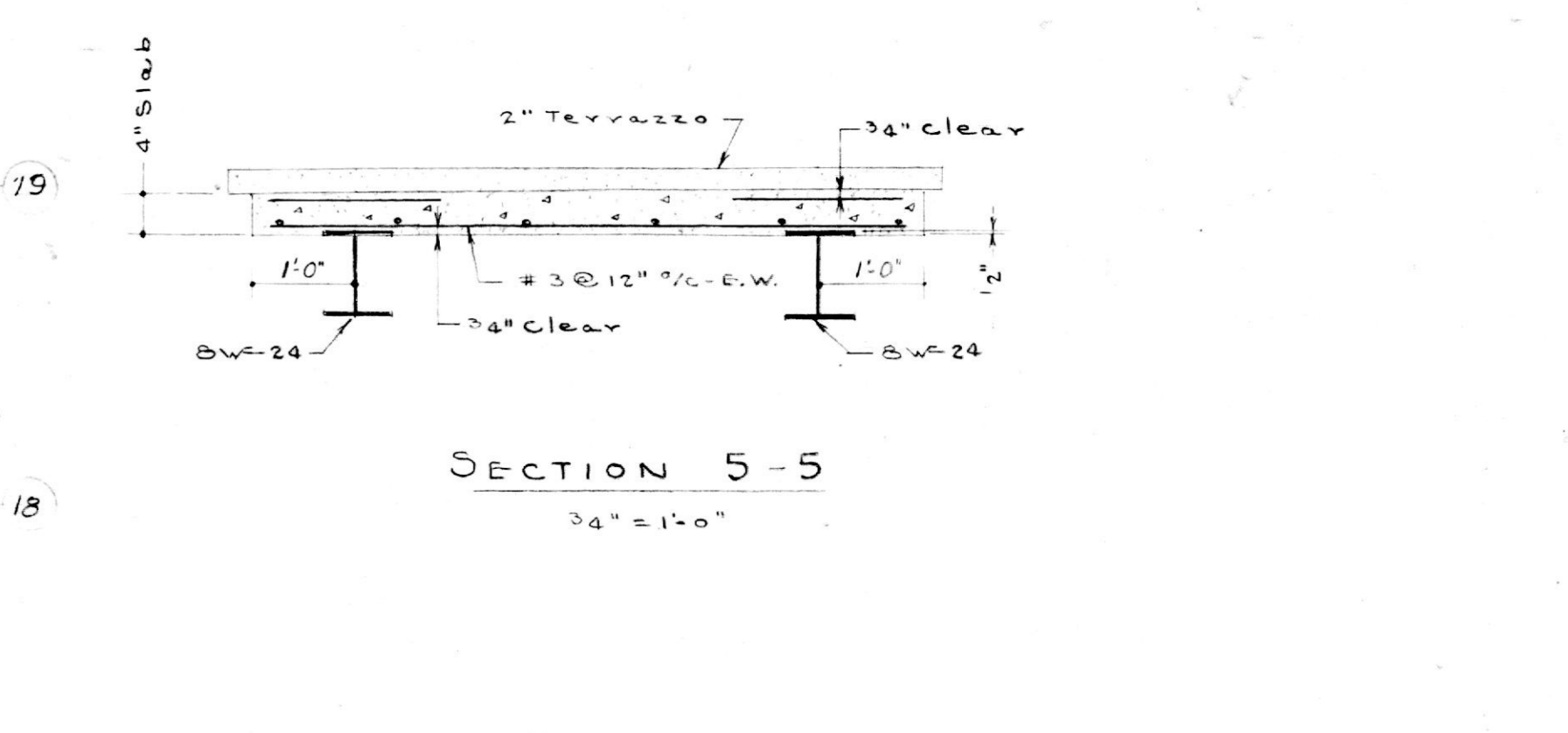
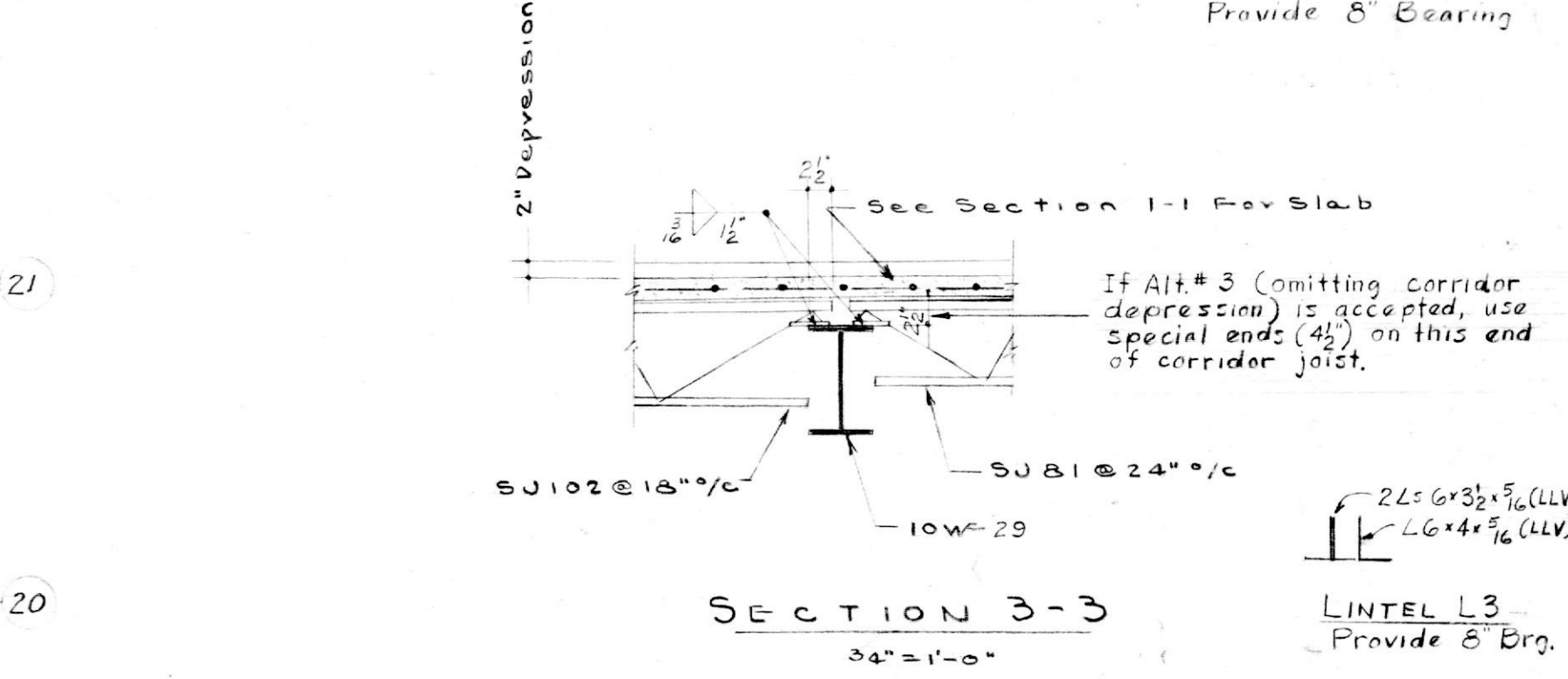
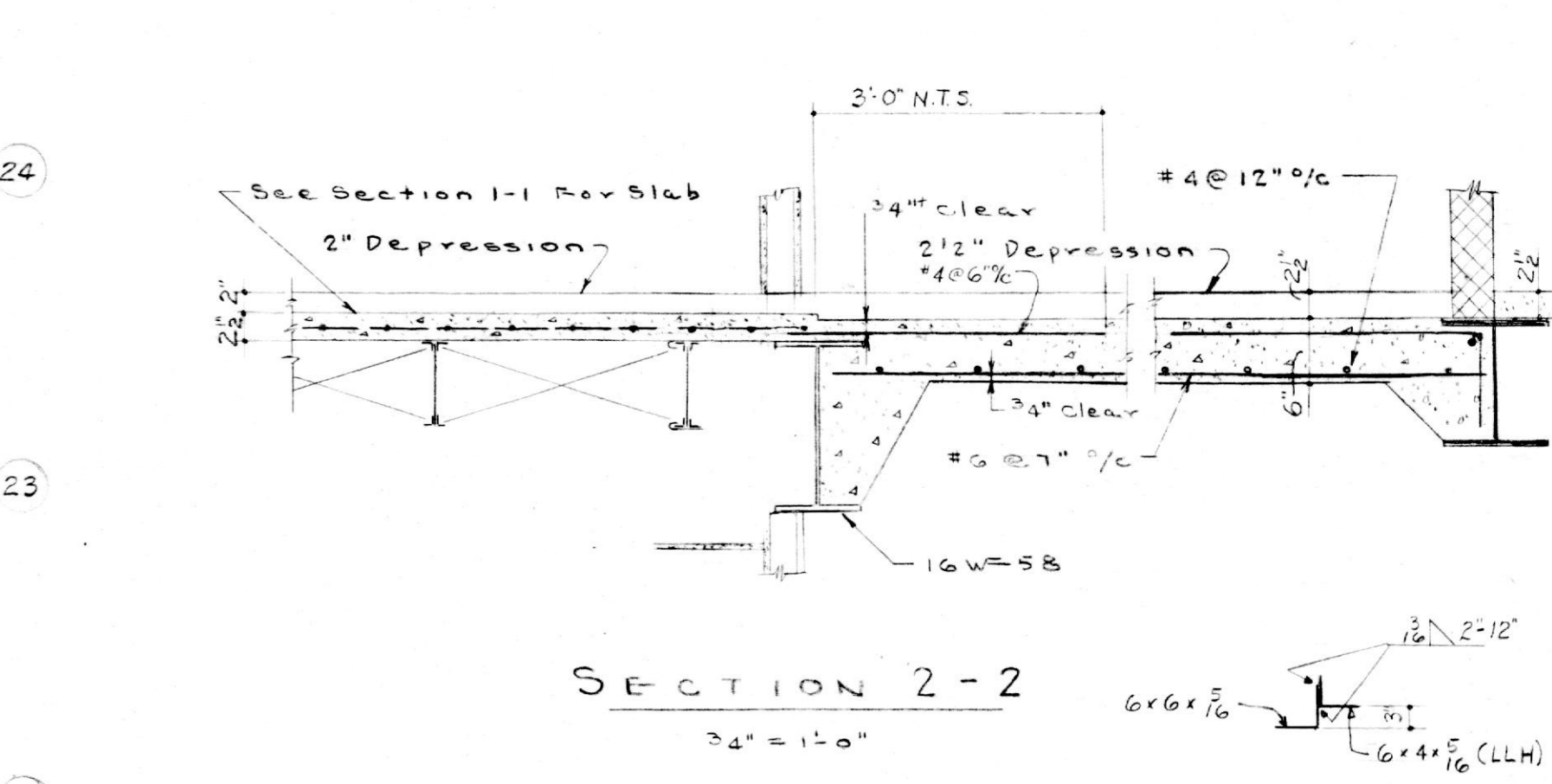
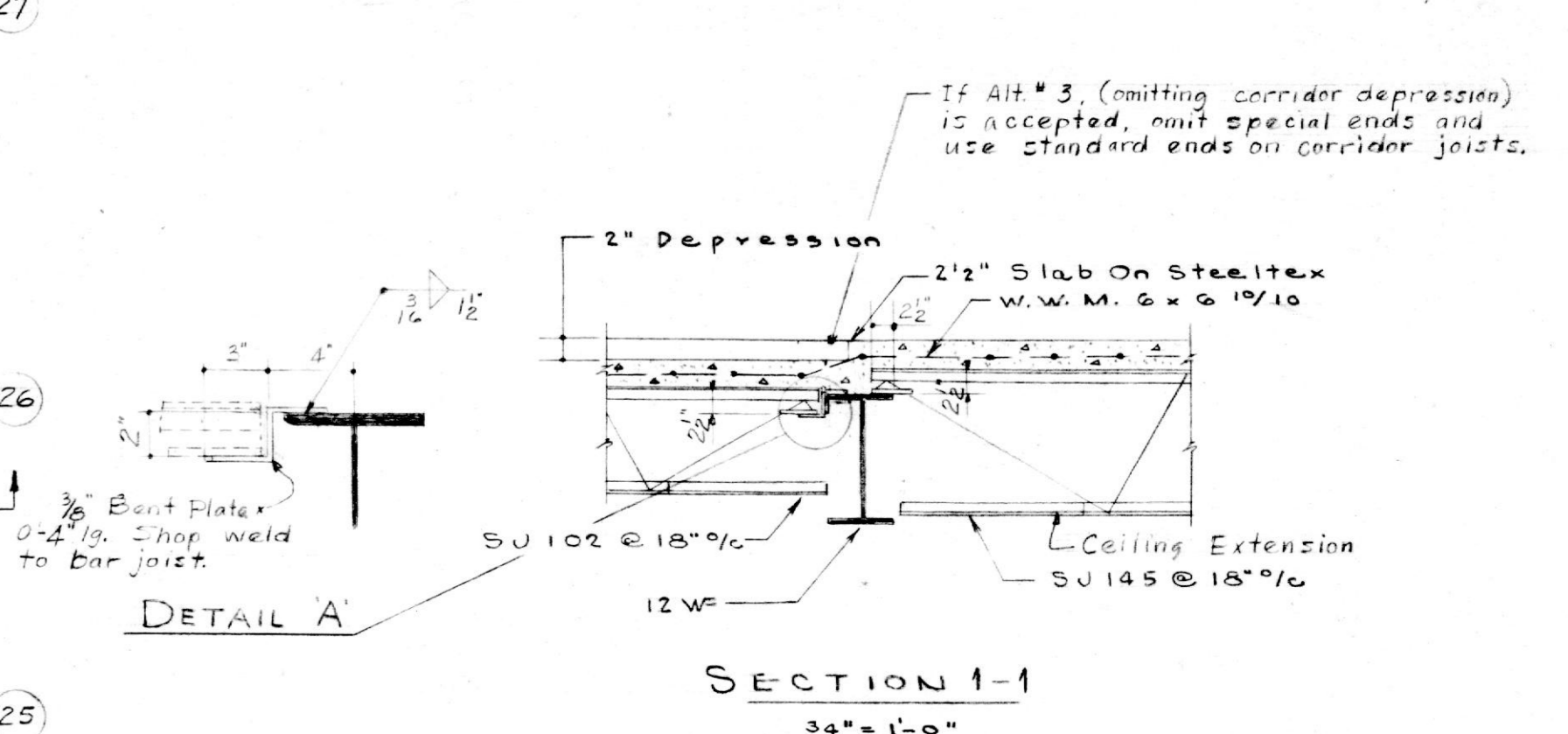
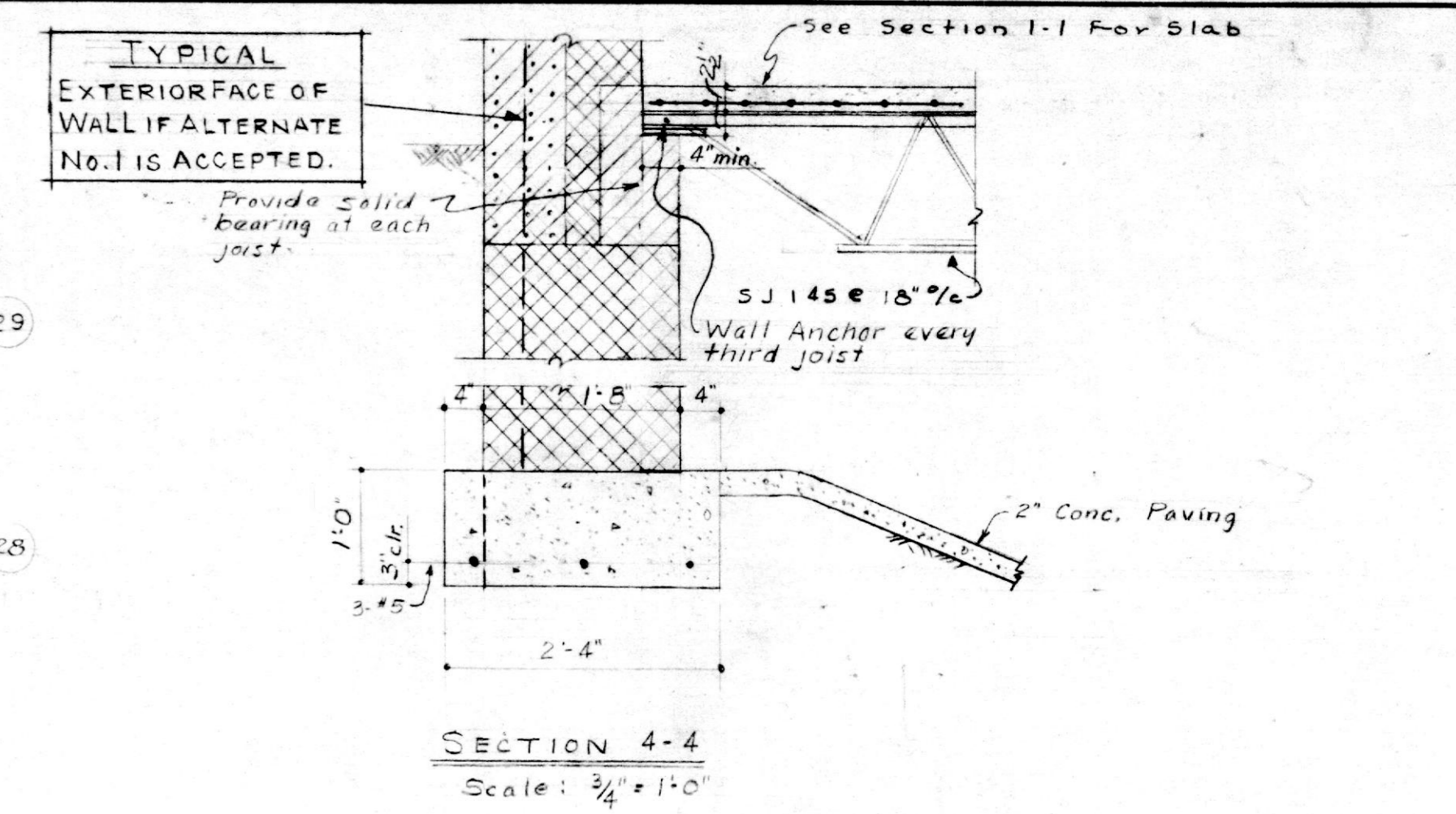


EAST WING UPPER FLOOR & WEST WING MAIN FLOOR FRAMING PLAN
Scale: 1/8" = 1'-0"



EAST WING UPPER FLOOR & WEST WING MAIN FLOOR FRAMING PLAN		PART C
NOTRE DAME PREPARATORY SCHOOL BALTIMORE COUNTY, MARYLAND UPPER SCHOOL FOR THE SCHOOL SISTERS OF NOTRE DAME		
TAYLOR AND FISHER ARCHITECTS D. K. ESTE FISHER, JR., F.A.S.A. - WARREN A. BOWENROCK, A.I.A. 130 W. HAMILTON ST., BALTIMORE 1, MD.	JOB NO. 1115 DATE: APRIL 1, 1959	DRAWING NUMBER S-9
VAN RENSSELAER P. SAXE - STRUCTURAL ENGINEER HENRY ADAMS, INC. - MECHANICAL ENGINEERS MARTIN FUNNELL - LANDSCAPE ARCHITECT	OF THIS PRINT ISSUED: APR 1 1959	

Dimensions Given Thus 00'00" (0") Are Measured From Elevation 434.67 Up or Down to Top Flange of Steel Beams or Open-Web Steel Joists.

Dimensions Given Thus 00'00" (0") Are Measured From Elevation 424.00 Up or Down to Top Flange of Steel Beams or Open-Web Steel Joists.

Note: Double bar joists to be placed at all partitions (detail on Draw. No. S12)