

DOOR AND FRAME SCHEDULE

Table with columns: MARK, PANEL (SIZE, MATL, TYPE), FRAME (DETAIL), FIRE RATING, HARDWARE SET #, REMARKS. Contains rows 32-316B for various door and frame types.

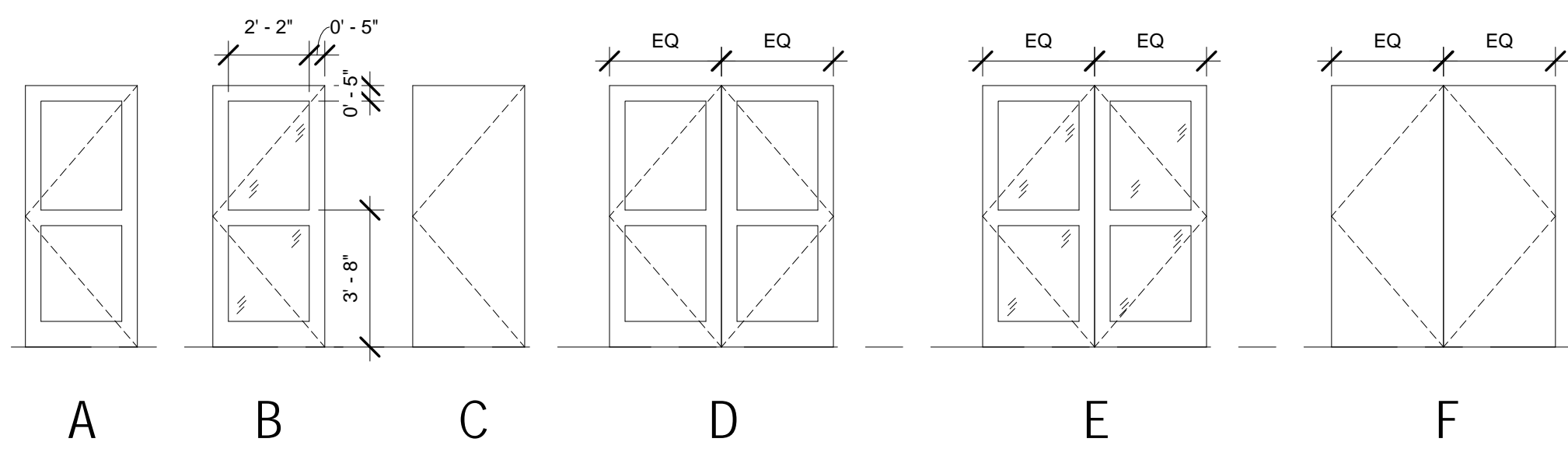
HARDWARE SCHEDULE

Table with columns: HW-#, ROOM NAME, HARDWARE TYPE, FIRE RATING, REMARKS. Lists hardware for rooms like Bedroom, Bathroom, etc.

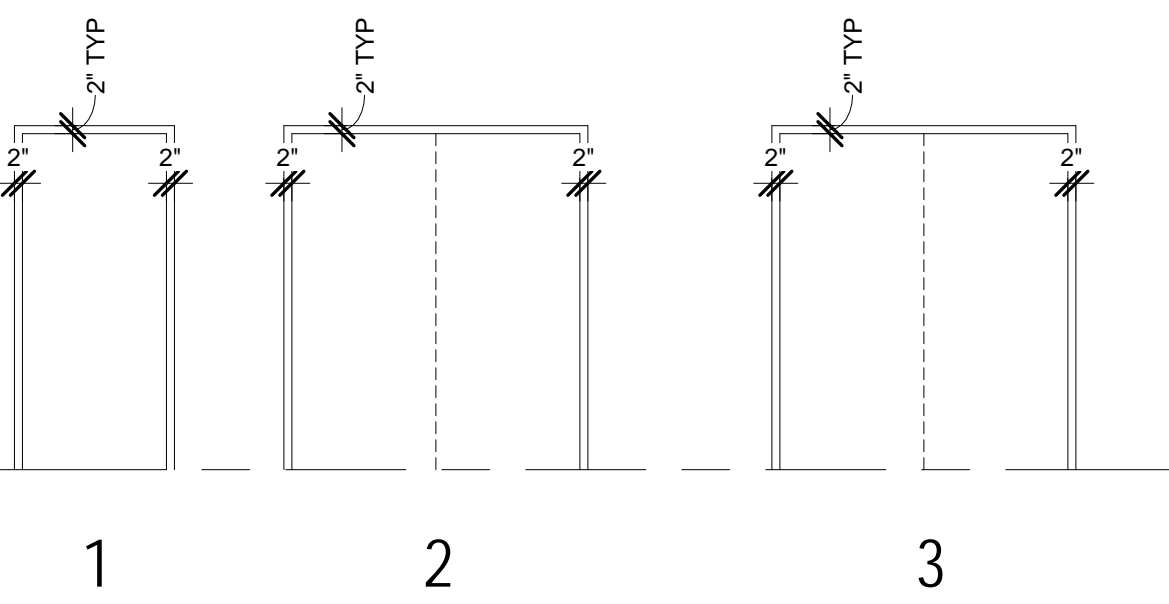
FINISH SCHEDULE

Table with columns: ROOM NO., ROOM NAME, FLOOR, BASE, FINISHES (WALL, WAINSCOT, CLG, CLG. MATL.), REMARKS. Lists finish materials for various rooms.

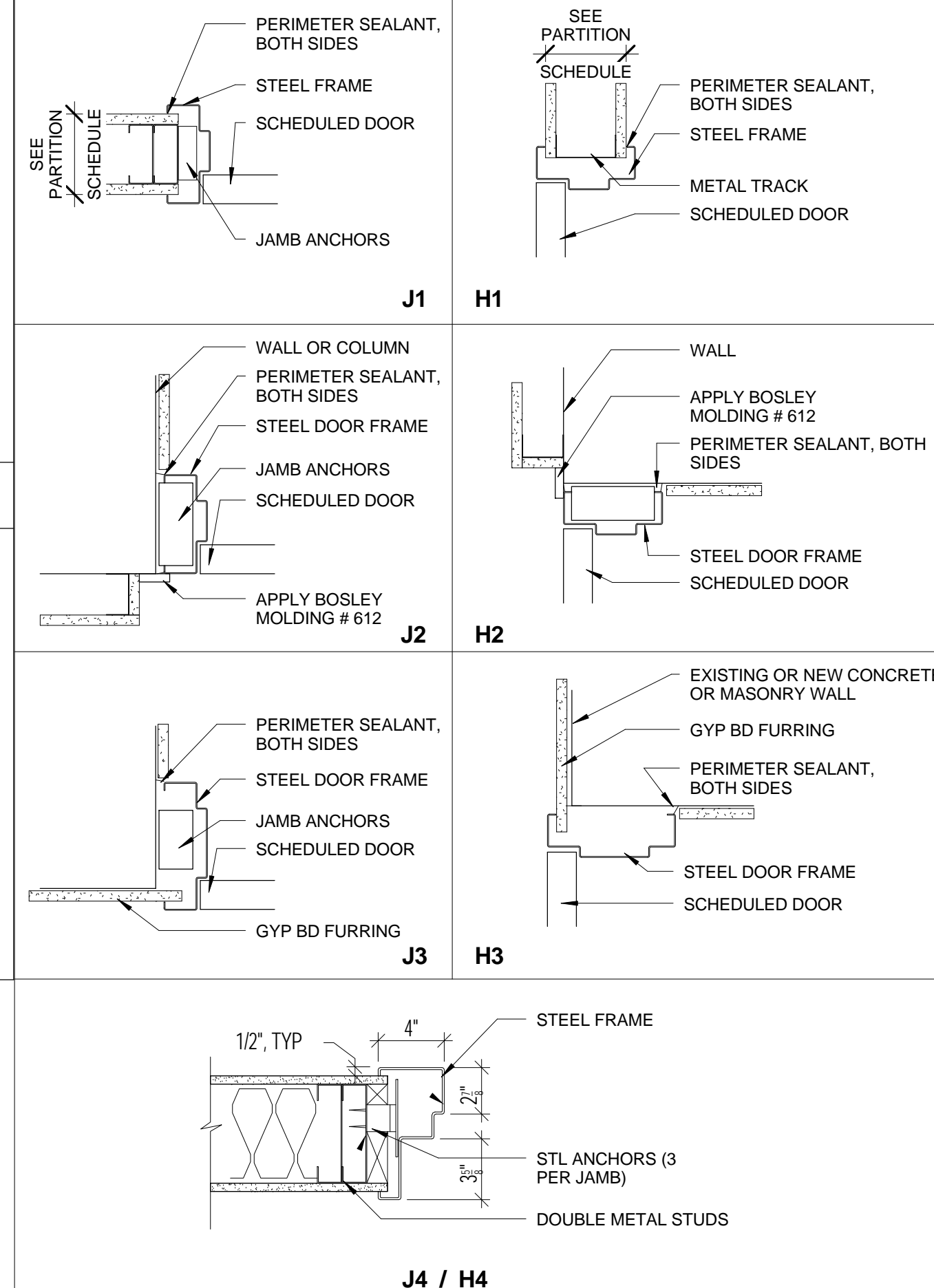
DOOR PANEL TYPES



DOOR FRAME TYPES



DOOR DETAILS



810 Light Street Baltimore, Md 21230

Professional Certification: I certify that these documents were prepared or approved by me, and that I am a duly licensed architect under the laws of the State of Maryland.

License No: 9473 Expiration Date: 4/7/2015

Table with columns: NO, DATE, PERMIT SET DESCRIPTION. Row 1: 1, 06-17-13, PERMIT SET

REVISIONS

NOTRE DAME PREP CONVENT RENOVATION

SCHEDULES

Table with columns: PROJ. NO., DWG NO., DRAWN BY, DATE. Values: 13007-00, A-601, AR, 06-13-13