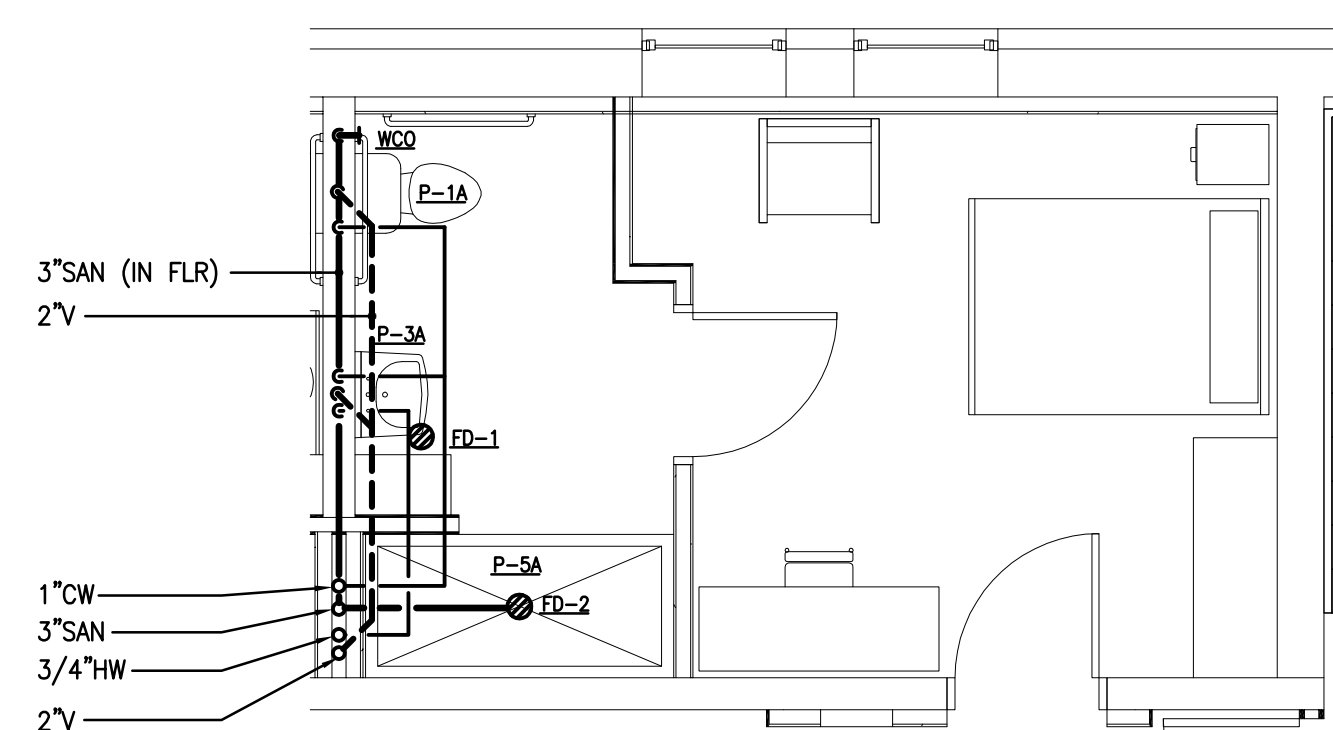


BEDROOM - PLUMBING - NEW WORK

SCALE: 1/4"=1'-0"

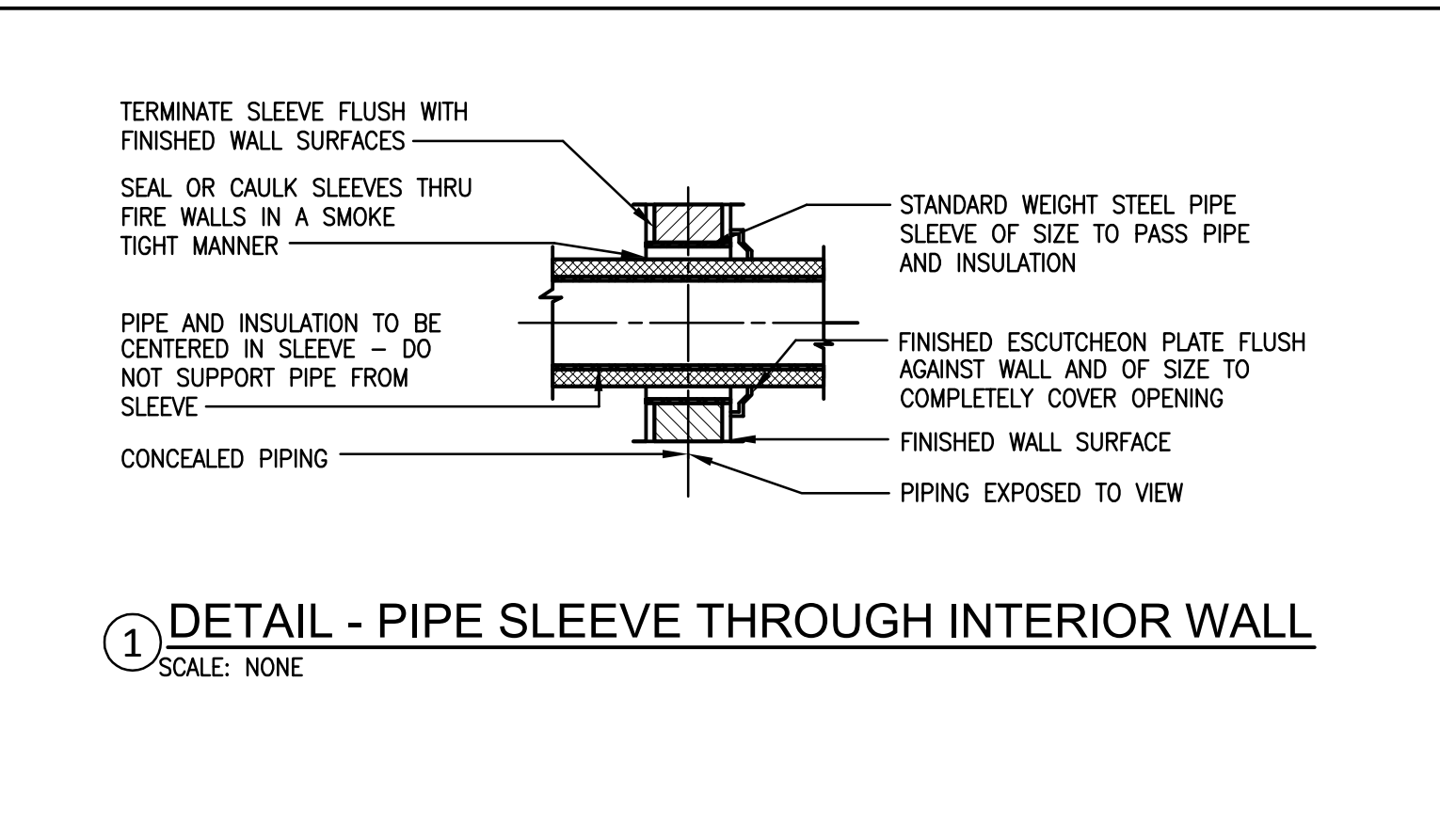
- NOTES:
- FOR PIPING, VALVING & PIPE SIZES NOT SHOWN ON PLAN REFER TO RISER DIAGRAMS ON DWG. P-01.
 - PROVIDE ACCESS PANELS IN CEILINGS/WALL TO FACILITATE ACCESS TO ALL VALVING ASSOCIATED WITH CW, HW & HWR PIPING.



ADA BEDROOM - PLUMBING - NEW WORK

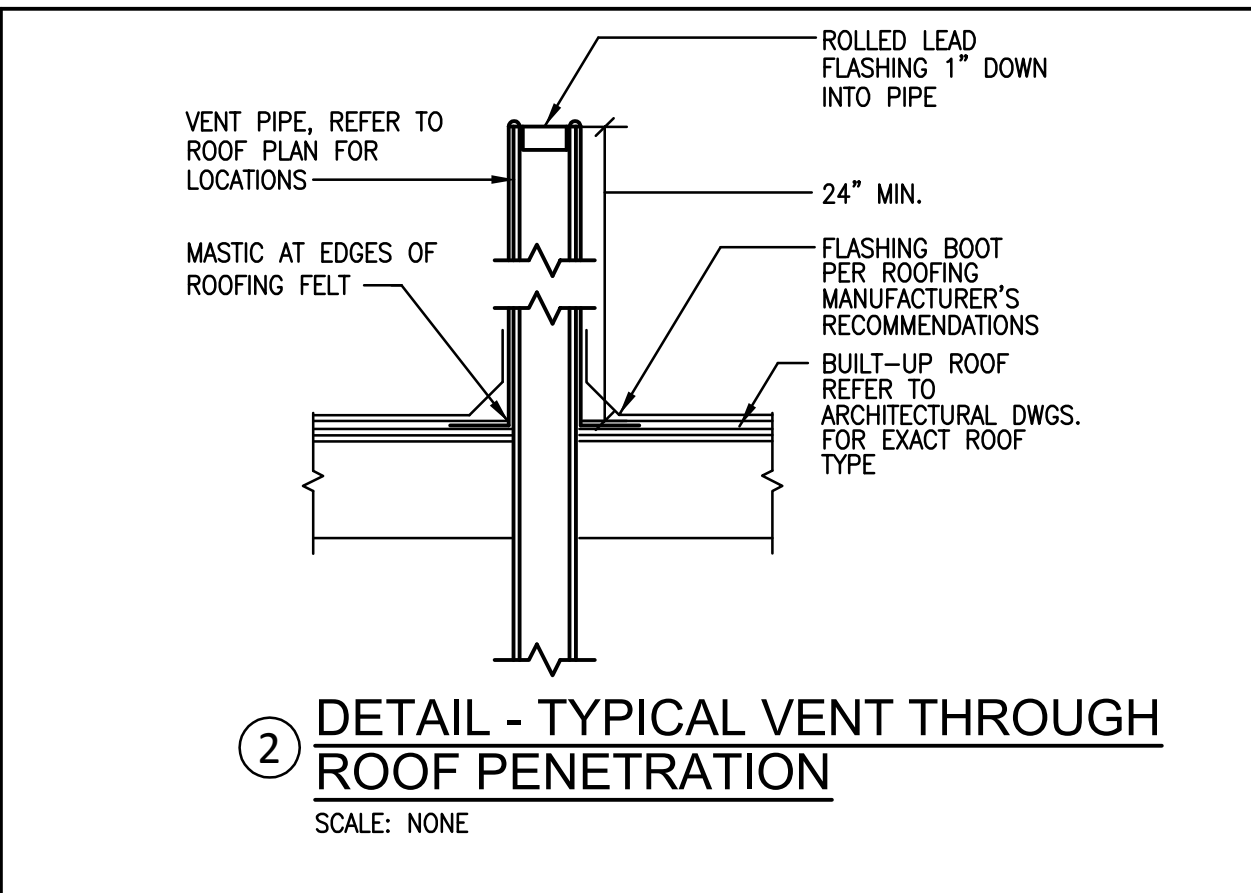
SCALE: 1/4"=1'-0"

- NOTES:
- FOR PIPING, VALVING & PIPE SIZES NOT SHOWN ON PLAN REFER TO RISER DIAGRAMS ON DWG. P-01.
 - PROVIDE ACCESS PANELS IN CEILINGS/WALL TO FACILITATE ACCESS TO ALL VALVING ASSOCIATED WITH CW, HW & HWR PIPING.



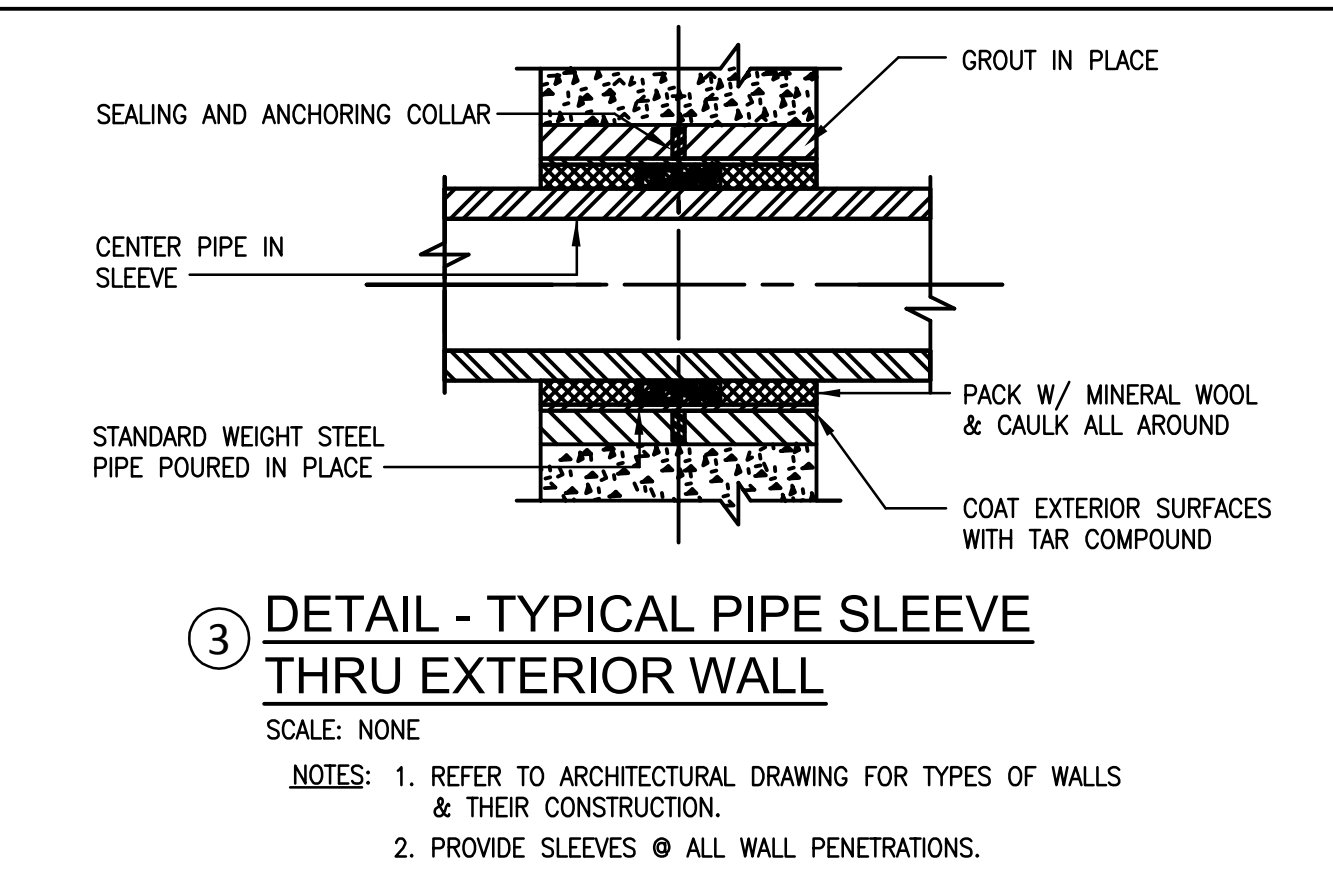
1 DETAIL - PIPE SLEEVE THROUGH INTERIOR WALL

SCALE: NONE



2 DETAIL - TYPICAL VENT THROUGH ROOF PENETRATION

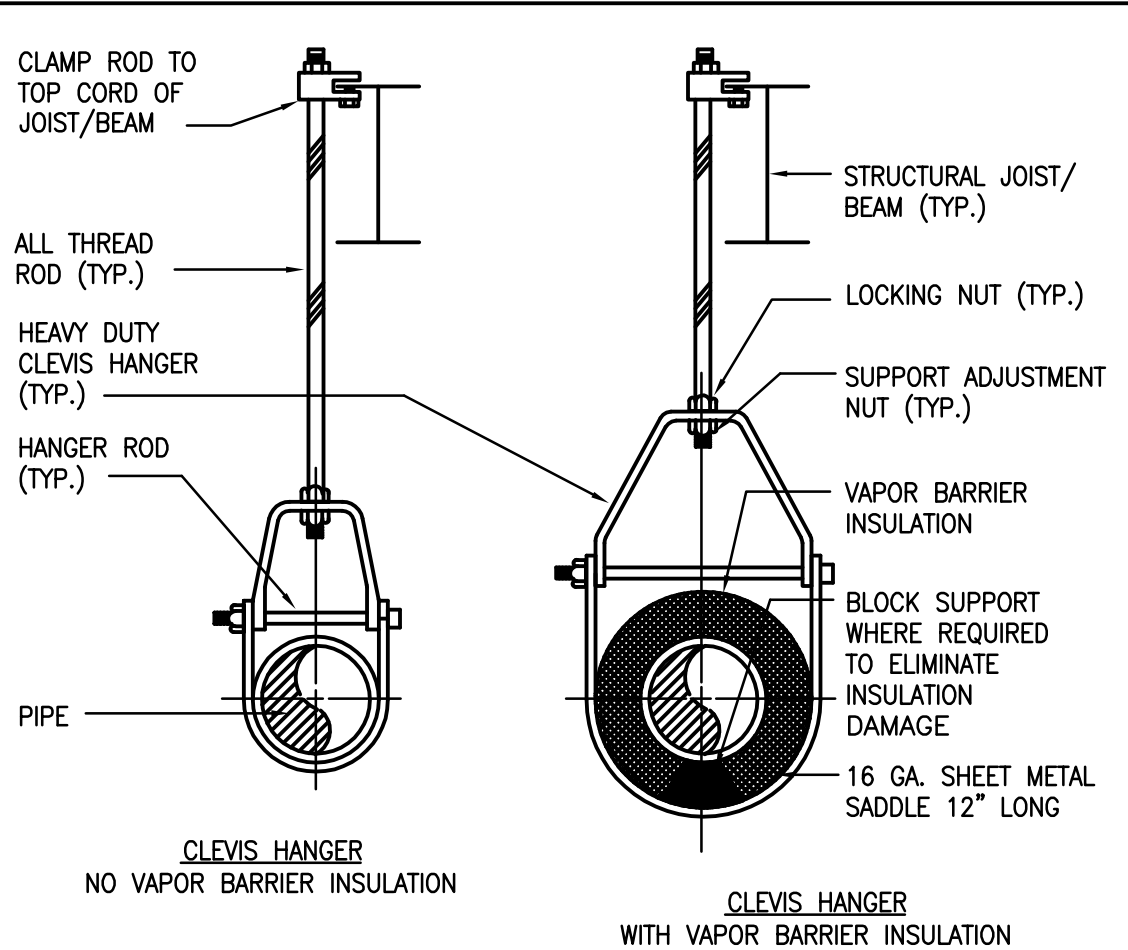
SCALE: NONE



3 DETAIL - TYPICAL PIPE SLEEVE THRU EXTERIOR WALL

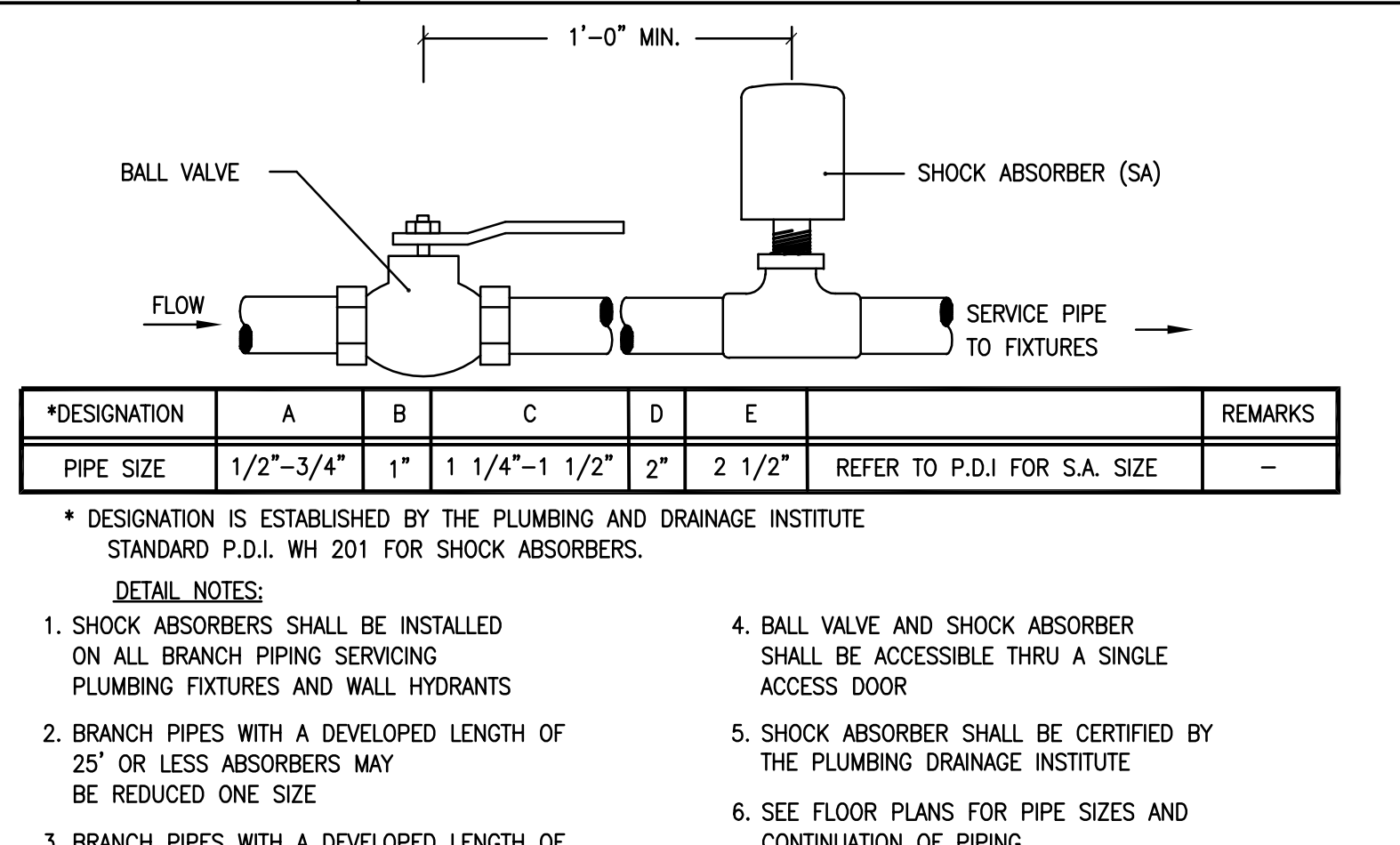
SCALE: NONE

- NOTES: 1. REFER TO ARCHITECTURAL DRAWING FOR TYPES OF WALLS & THEIR CONSTRUCTION.
2. PROVIDE SLEEVES @ ALL WALL PENETRATIONS.



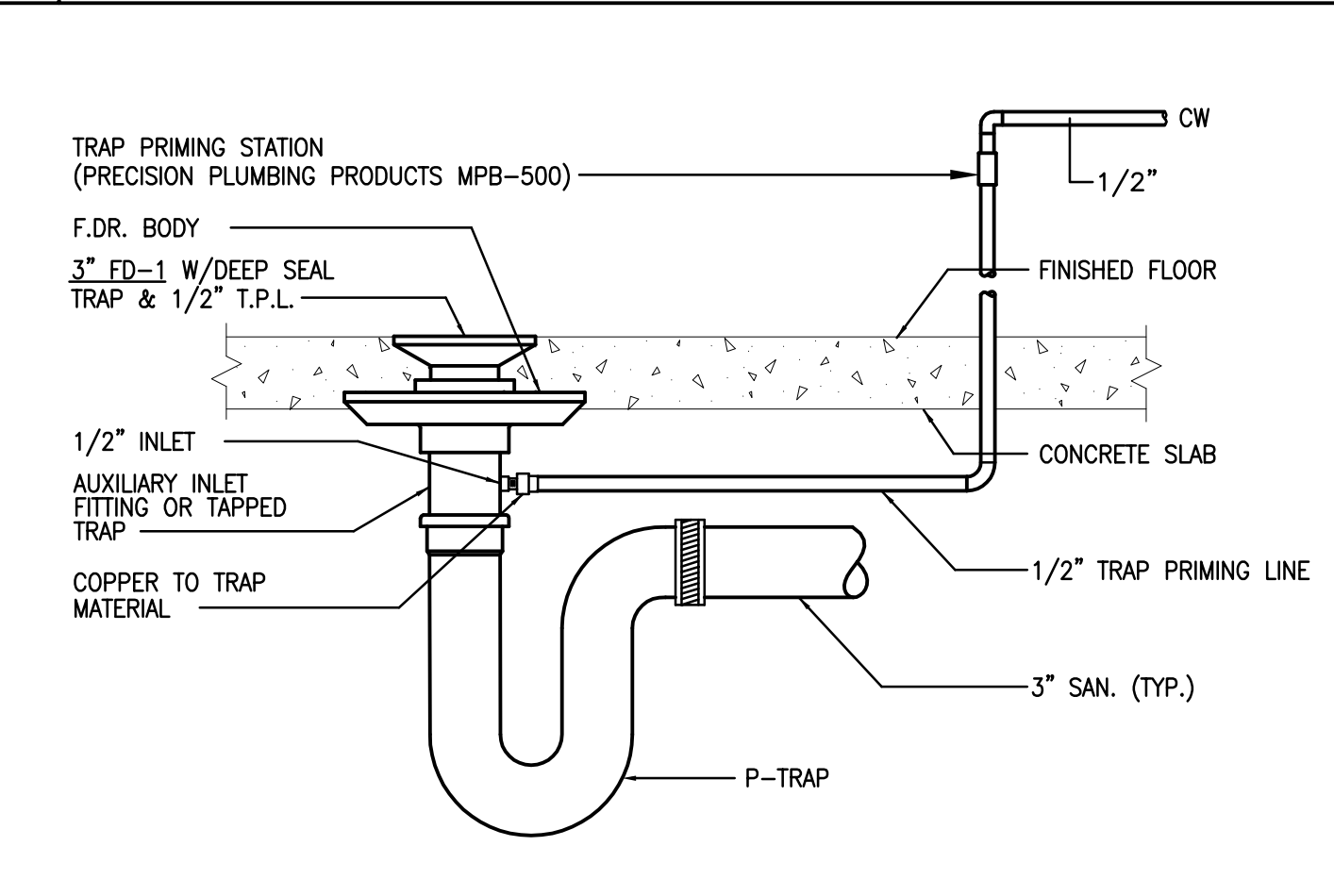
4 PIPE SUPPORT DETAIL

SCALE: NONE



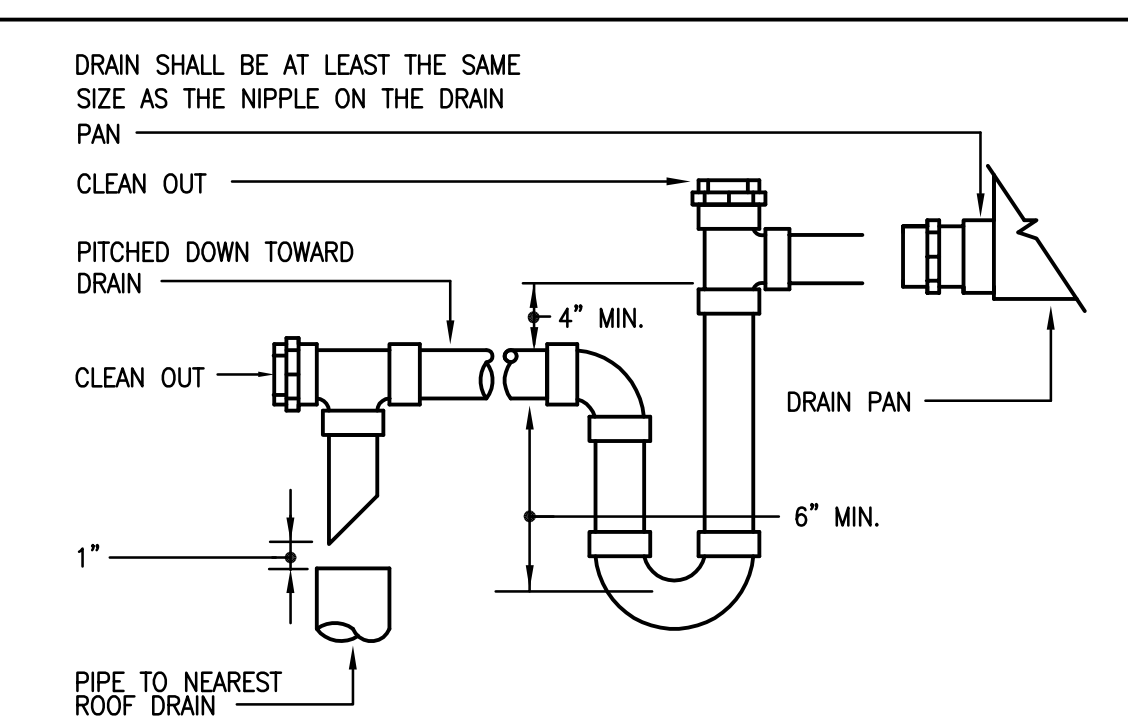
5 DETAIL - TYPICAL SHOCK ABSORBER INSTALLATION

SCALE: NONE



6 DETAIL - FLOOR DRAIN WITH TRAP PRIMING LINE

SCALE: NONE



7 DETAIL - TYPICAL CONDENSATE PIPE & TRAP

SCALE: NONE

*DESIGNATION	A	B	C	D	E	REMARKS
PIPE SIZE	1/2"-3/4"	1"	1 1/4"-1 1/2"	2"	2 1/2"	REFER TO P.D.I. FOR S.A. SIZE

* DESIGNATION IS ESTABLISHED BY THE PLUMBING AND DRAINAGE INSTITUTE STANDARD P.D.I. WH 201 FOR SHOCK ABSORBERS.

DETAIL NOTES:

- SHOCK ABSORBERS SHALL BE INSTALLED ON ALL BRANCH PIPING SERVING PLUMBING FIXTURES AND WALL HYDRANTS
- BRANCH PIPES WITH A DEVELOPED LENGTH OF 25' OR LESS ABSORBERS MAY BE REDUCED ONE SIZE
- BRANCH PIPES WITH A DEVELOPED LENGTH OF 75' OR GREATER ABSORBERS MAY BE INCREASED ONE SIZE
- BALL VALVE AND SHOCK ABSORBER SHALL BE ACCESSIBLE THRU A SINGLE ACCESS DOOR
- SHOCK ABSORBER SHALL BE CERTIFIED BY THE PLUMBING DRAINAGE INSTITUTE
- SEE FLOOR PLANS FOR PIPE SIZES AND CONTINUATION OF PIPING
- ADHERE TO LOCAL CODE REQUIREMENTS.



810 Light Street Baltimore, Maryland 21230

NO	DATE	DESCRIPTION
REVISIONS		

NOTRE DAME PREP CONVENT RENOVATION

815 Hampton Lane
Towson, MD 21286

PART PLANS & PLUMBING DETAILS

PROJECT NO 13007-00	DWG NO P-401
DRAWN BY FDD	
DATE 03/15/13	

