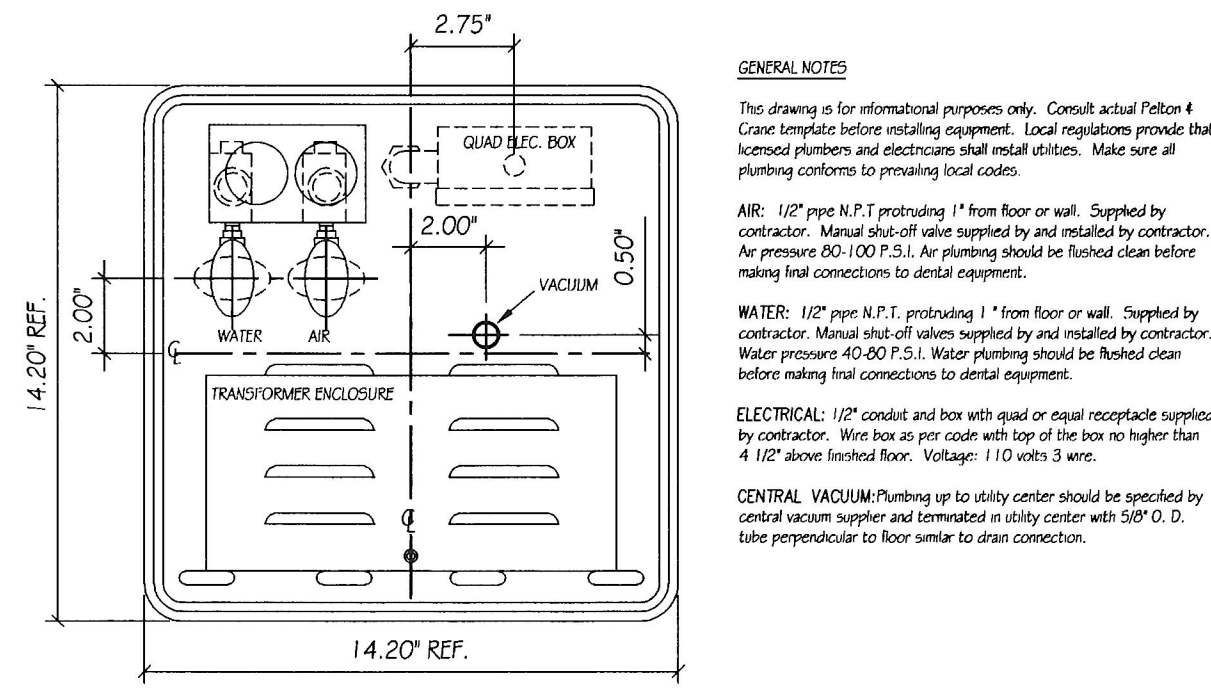
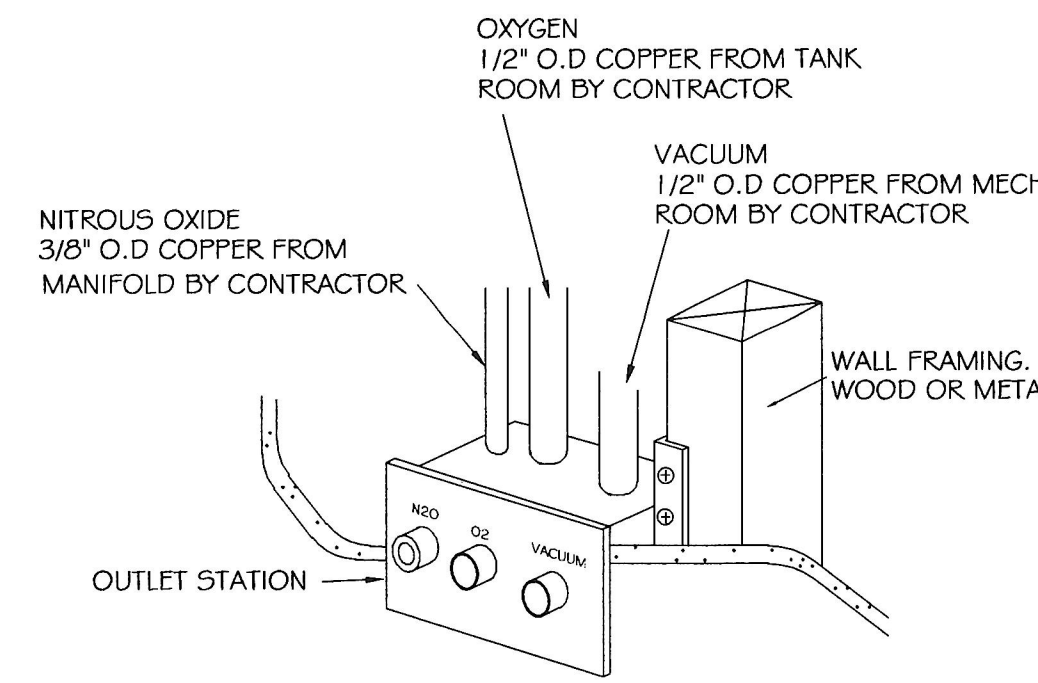


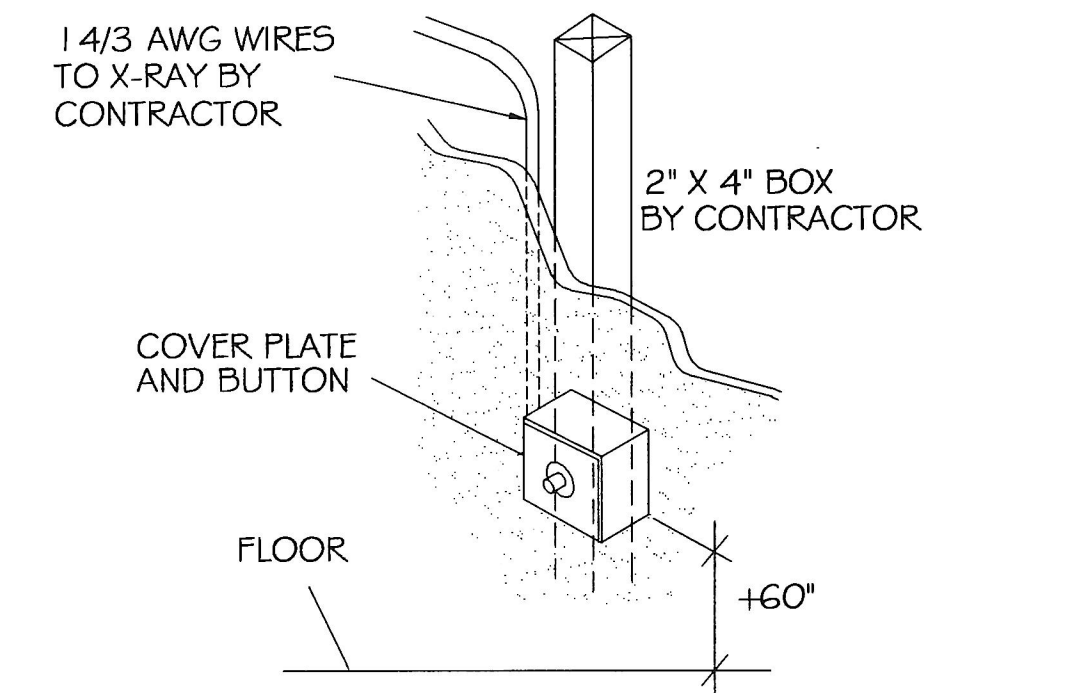
D-1 PELTON UTILITY J- BOX W/DRAIN
 NOT TO SCALE



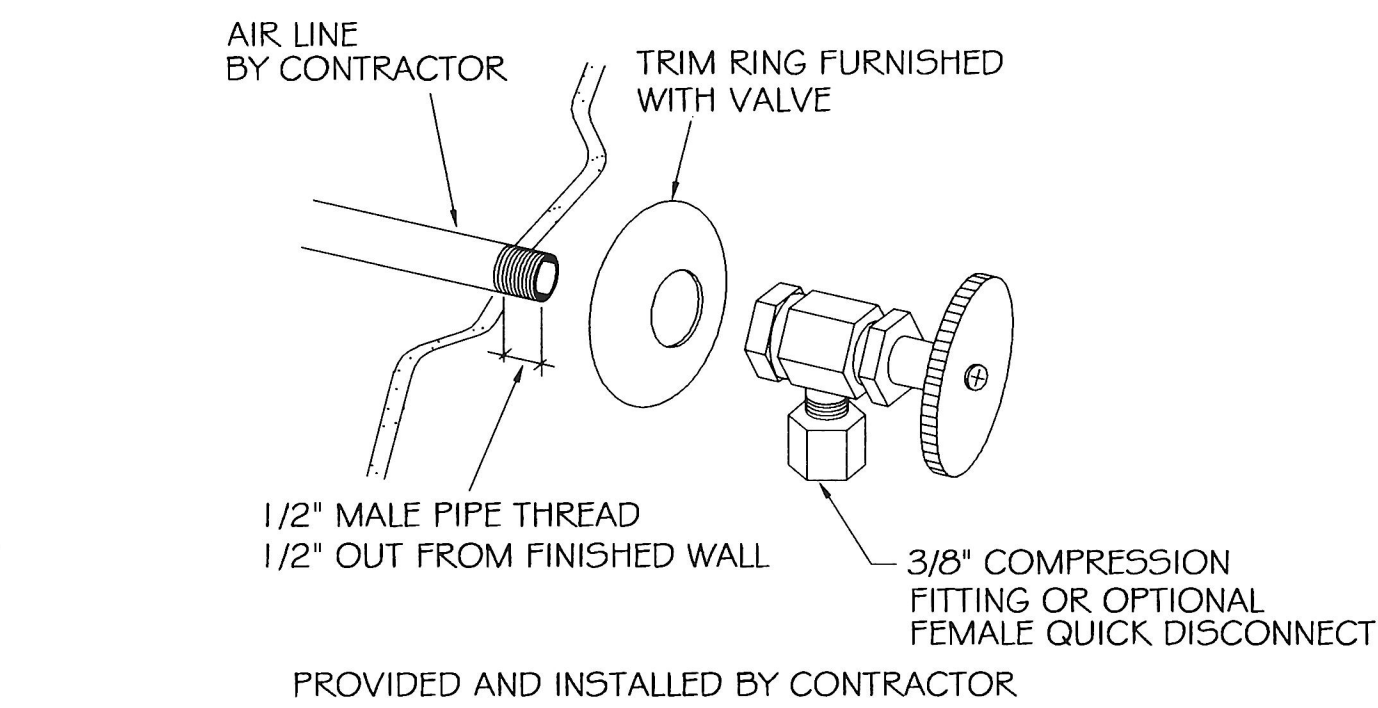
D-3 PELTON UTILITY J-BOX
 NOT TO SCALE



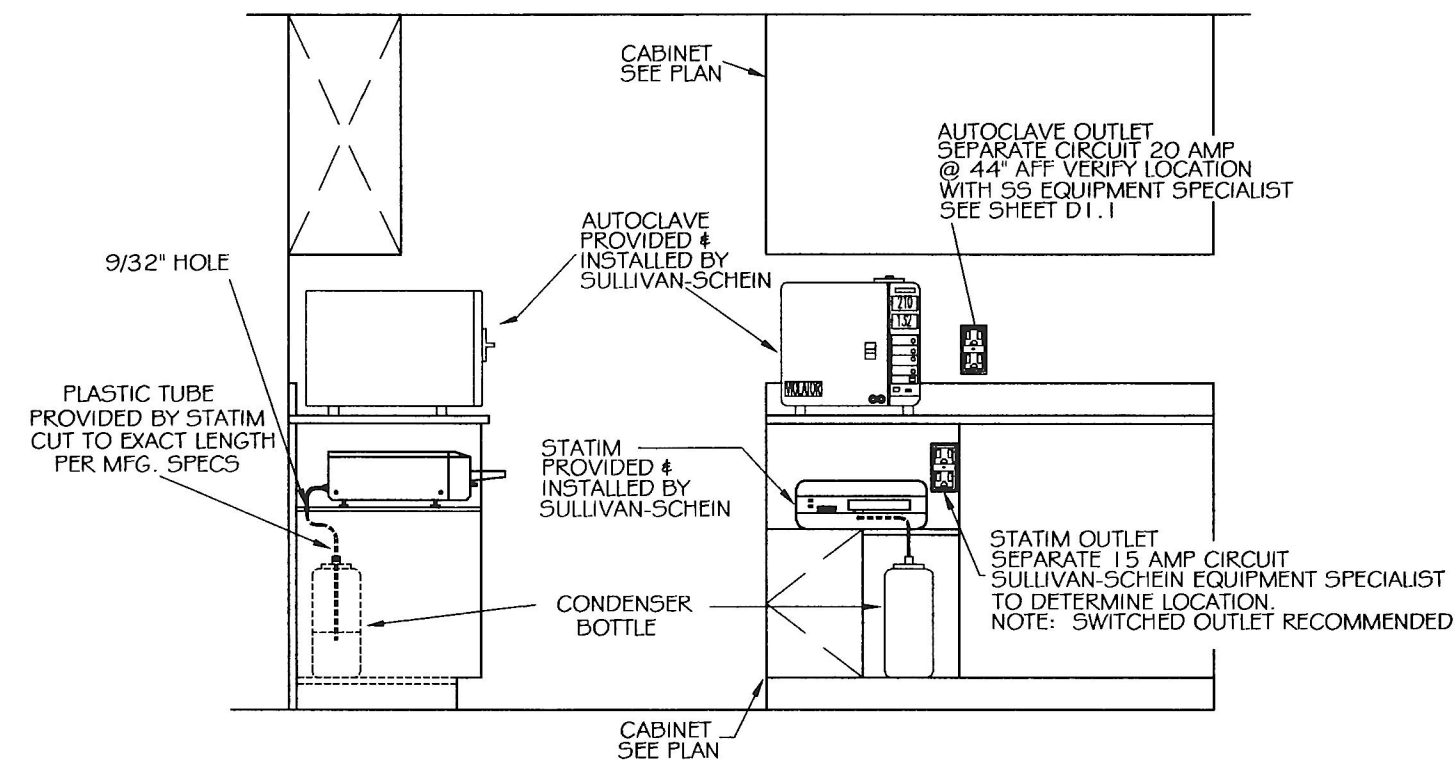
D-7 N2O-O2 TREATMENT ROOM OUTLETS
 NOT TO SCALE



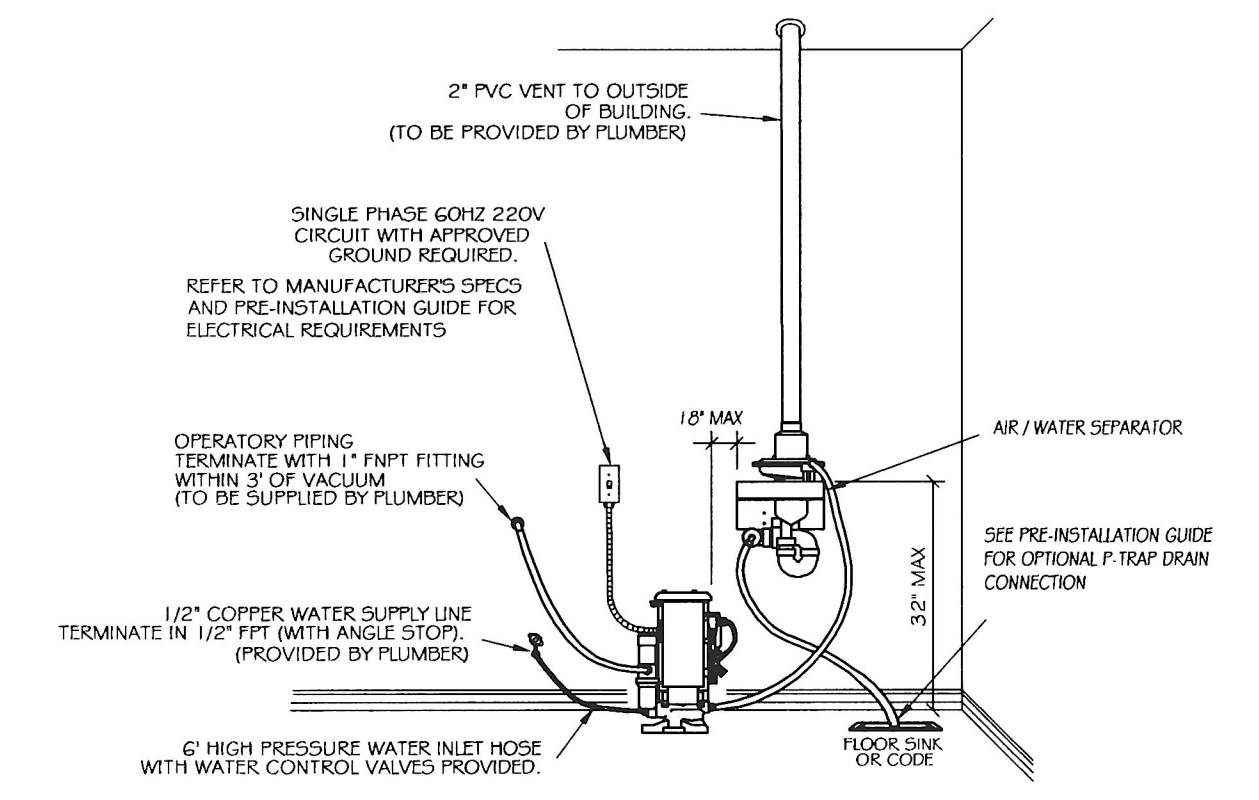
D-9D X-RAY REMOTE SWITCH
 NOT TO SCALE



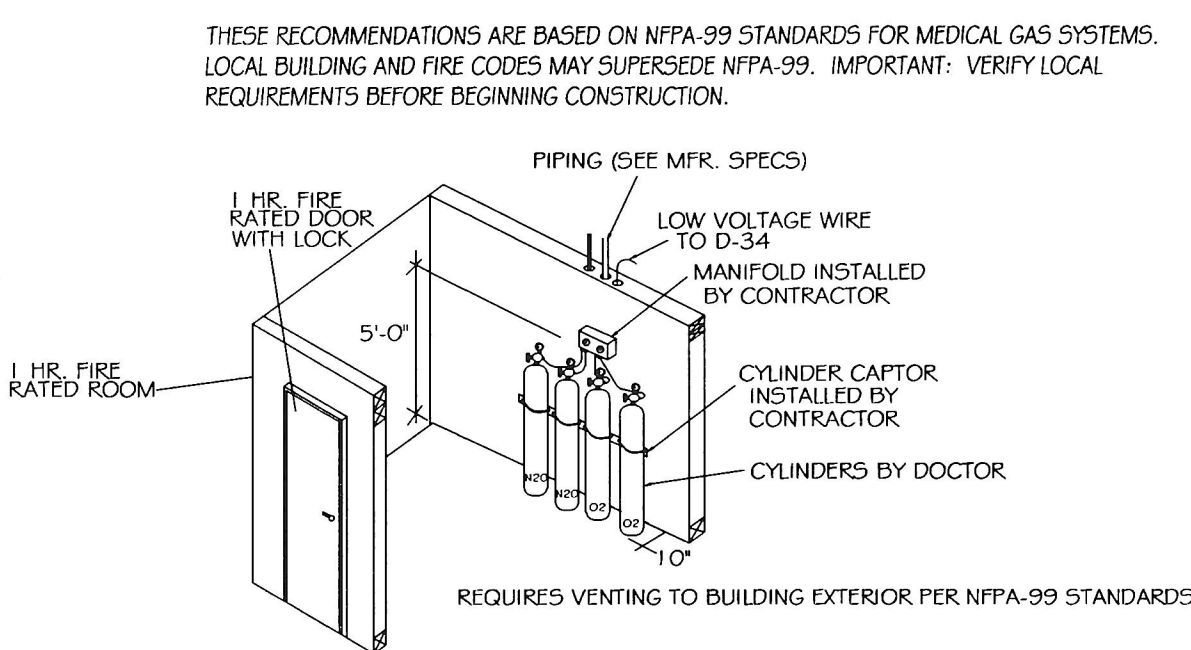
D-13 AIR VALVE
 NOT TO SCALE



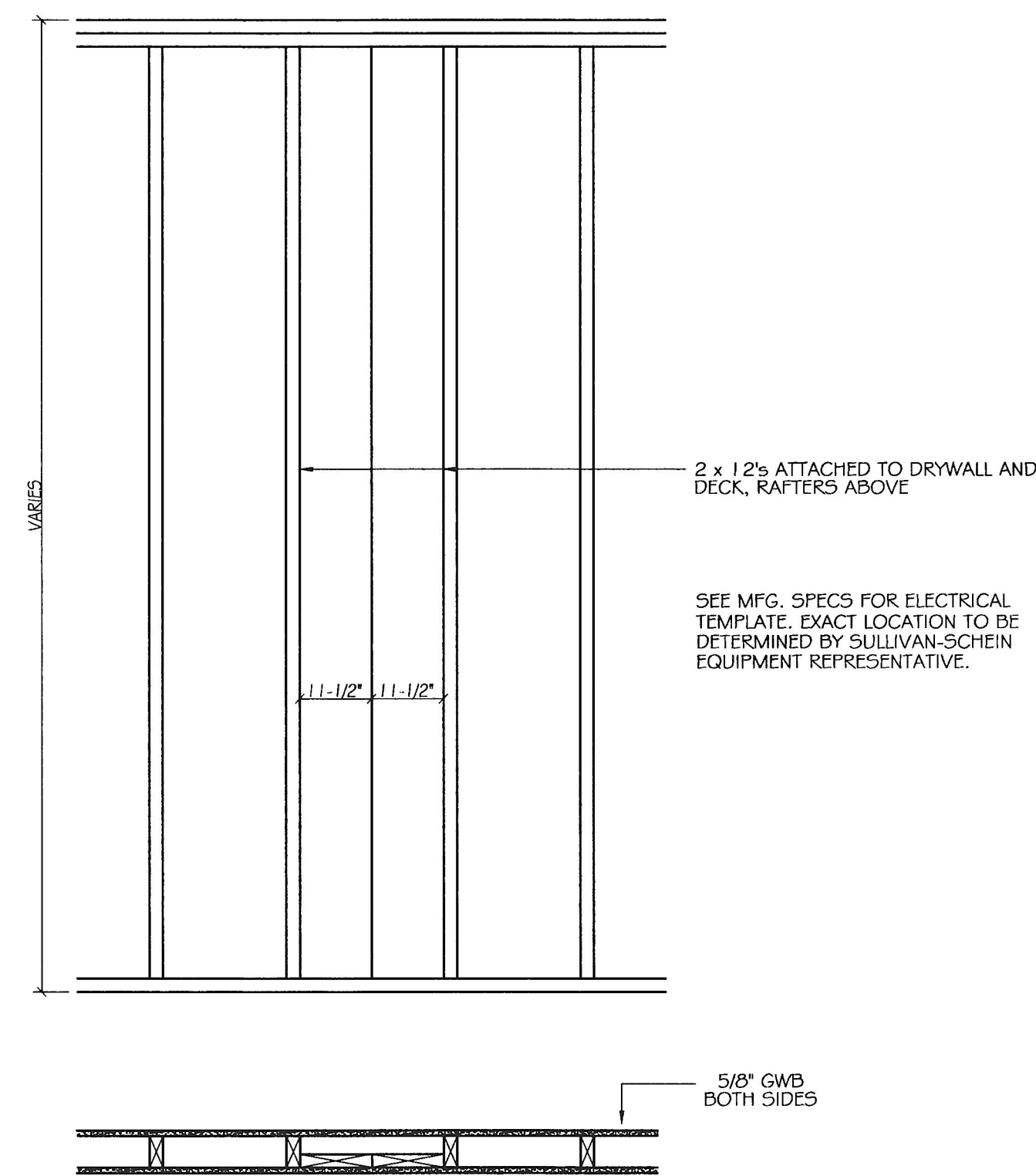
D-14A AUTOCLAVE & STATIM OUTLETS
 NOT TO SCALE



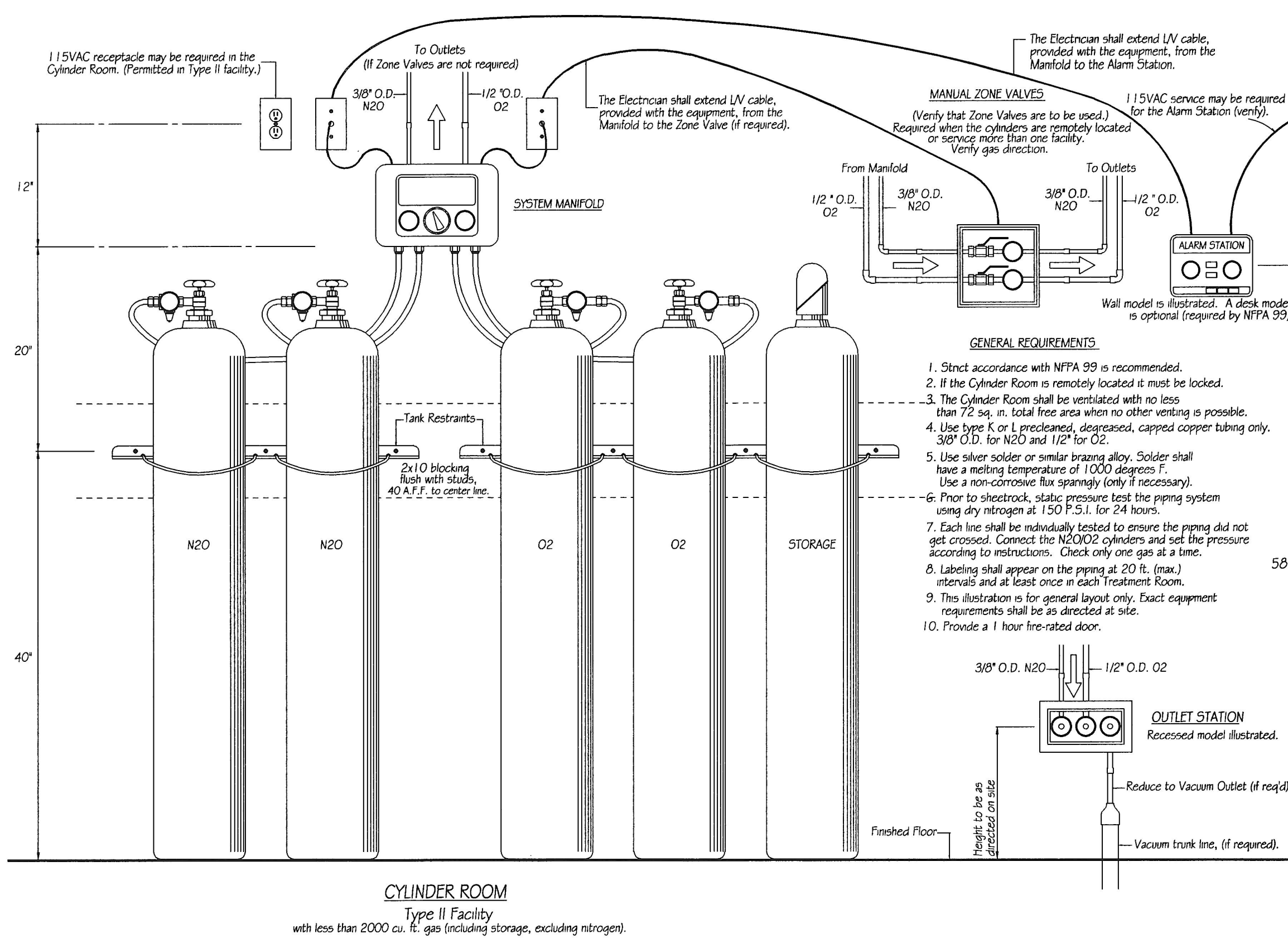
D-26A VACSTAR 20 / 40 - SINGLE 220V
 NOT TO SCALE



D-33 N2O-O2 CYLINDER CLOSET
 4 TANKS
 NOT TO SCALE



WD7 TYP X-RAY SUPPORT
 NOT TO SCALE



N2O NTS NITROUS OXIDE AND OXYGEN TANK ROOM DETAIL

Scale: 1/2"=1'
 SHEET 5/MD
 Drawing Name: DRENBERG/MANN/MD
 Date: 03/2004
 Drawn by: TOM KING

IMPORTANT NOTE
 This document has been prepared as an instrument of professional service. It is the property of Sullivan-Schein Dental, and is not to be reproduced, stored in a retrieval system, or transmitted in any form or by any means, electronic, mechanical, photocopying, recording, or by any information storage and retrieval system, without the prior written consent of Sullivan-Schein and full payment of any associated design fees.
 ALL DIMENSIONS ARE SUBJECT TO JOB SITE VERIFICATIONS.

Project:
DRS. BERNE & BOWMAN
 6395 DOBBIN RD., SUITE 210
 COLUMBIA, MD. 21045

SULLIVAN Rep./ Distributor
 GALE ORRALL
 CENTER
 BALTIMORE, MD.
 PHONE: (410) 645-6594

Sullivan-Schein Dental
 A HENRY SCHNEIN COMPANY