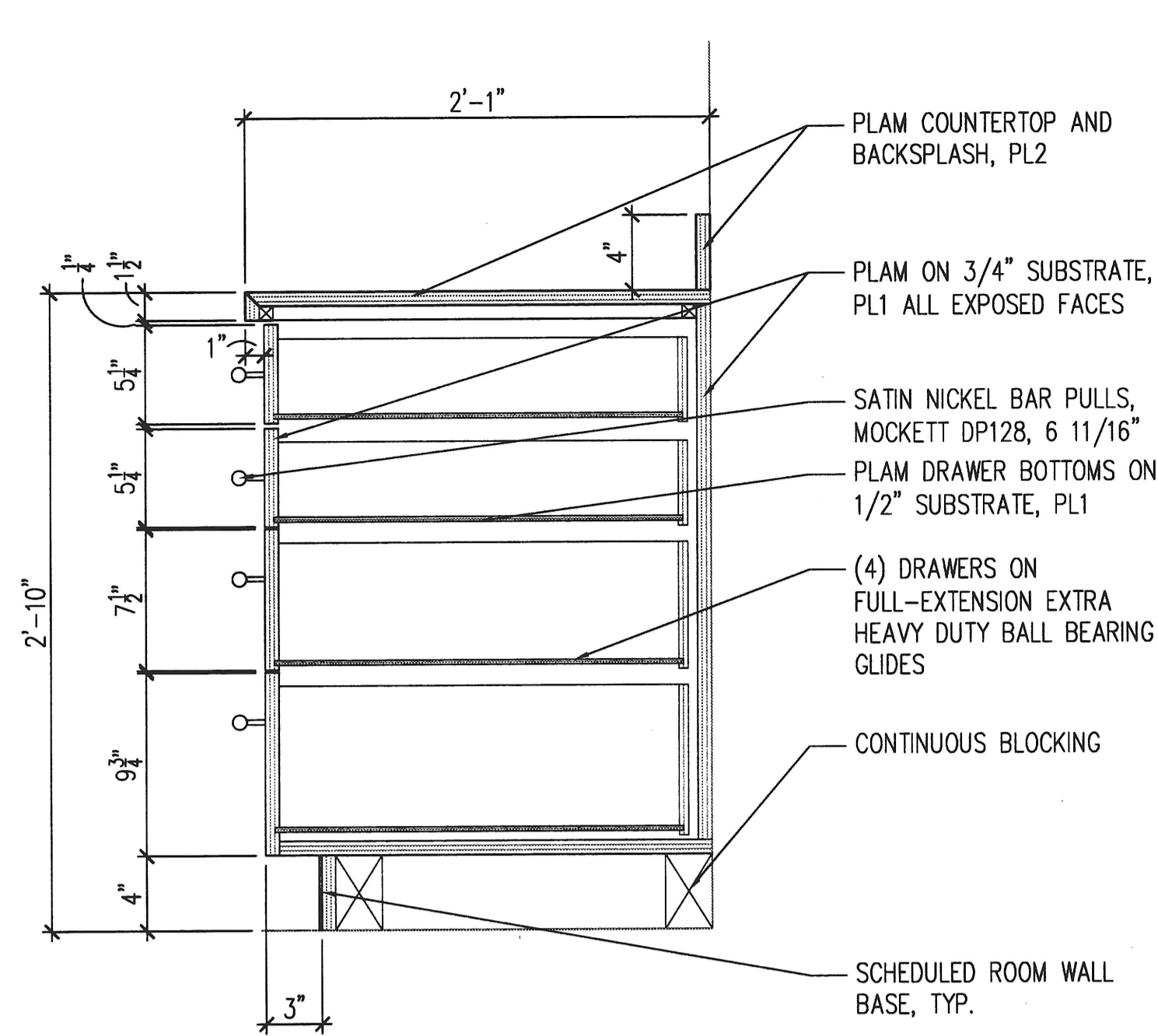
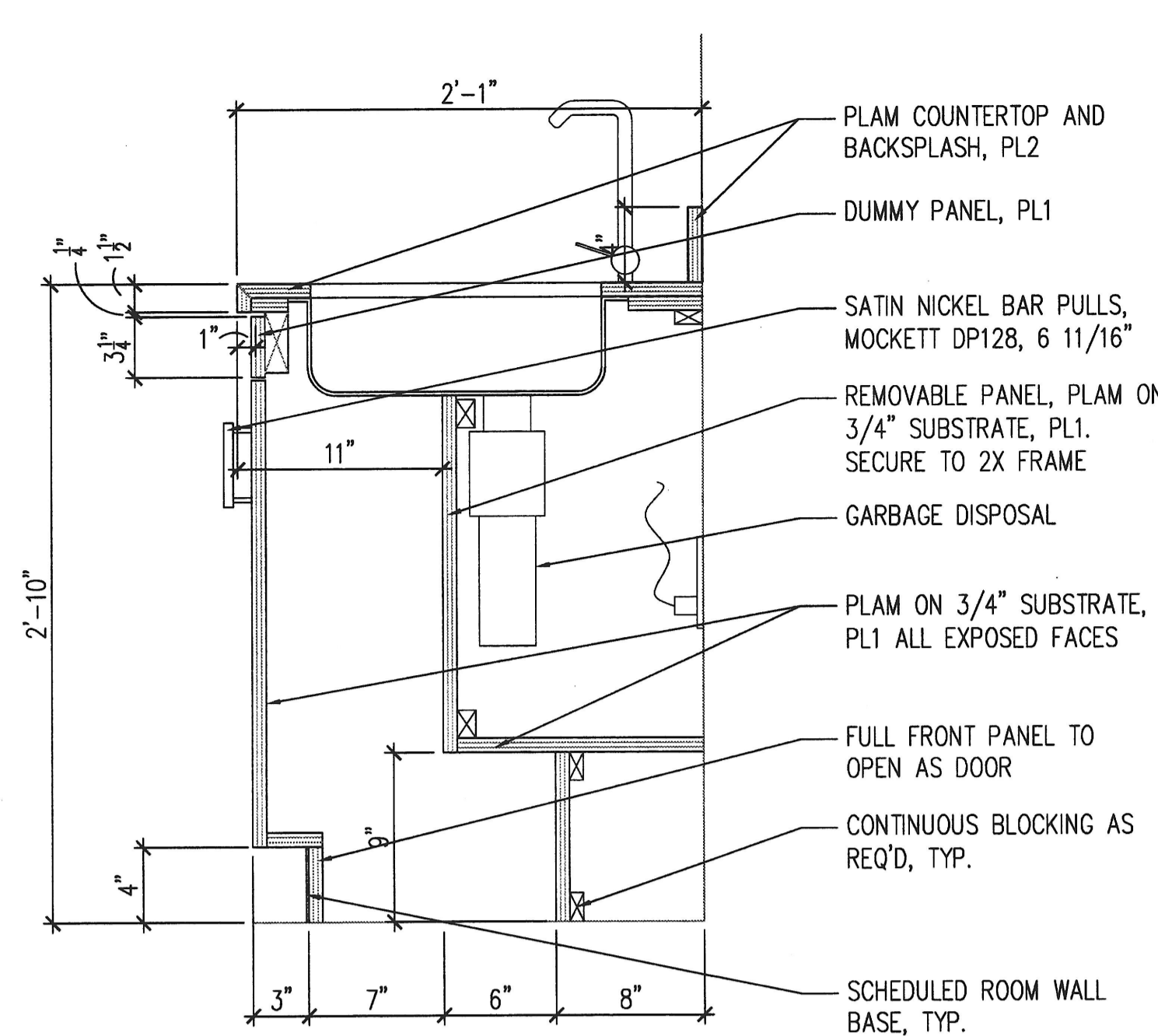


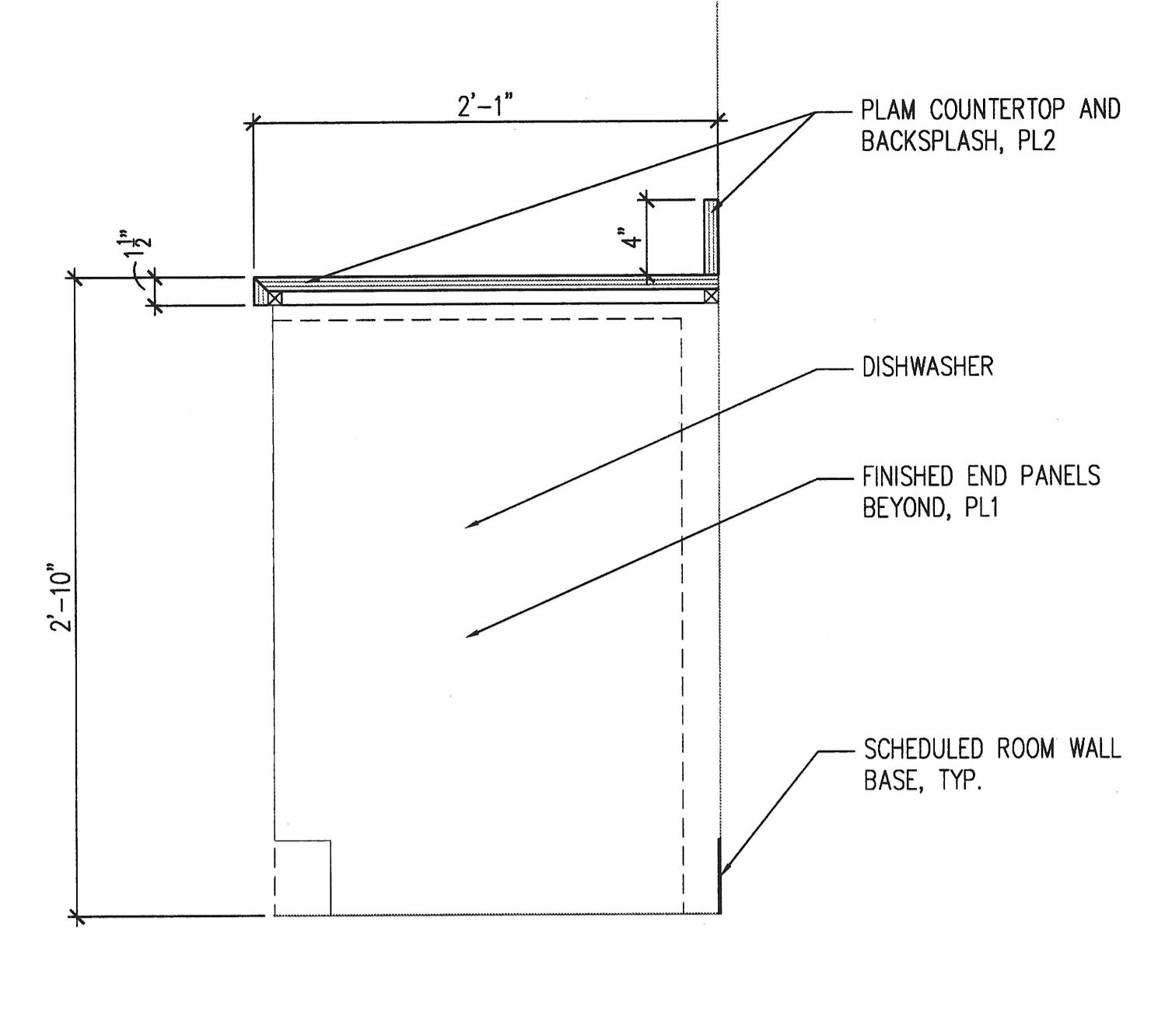
1 DETAIL
A501 1/2"=1'-0"



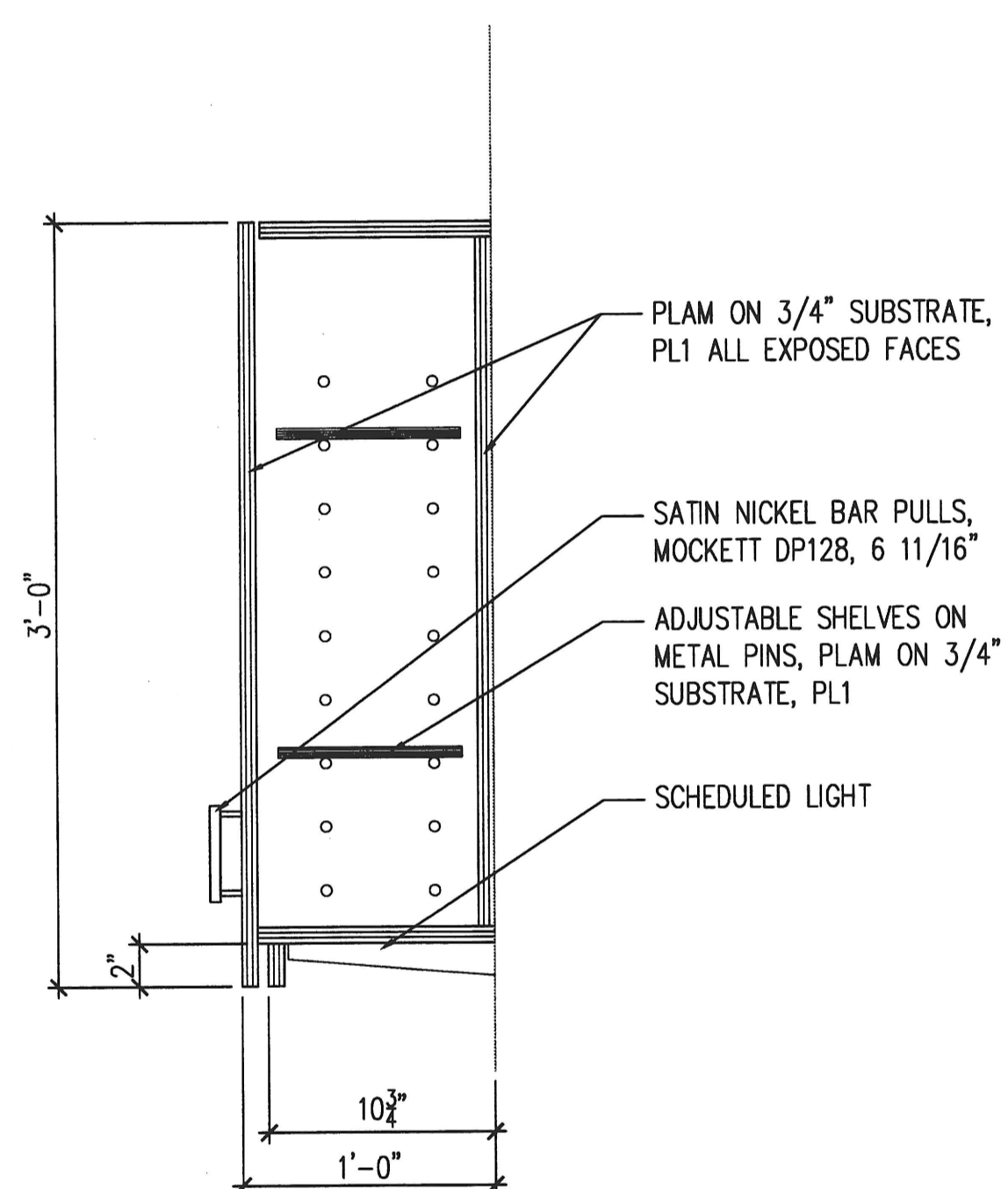
2 DETAIL
A501 1/2"=1'-0"



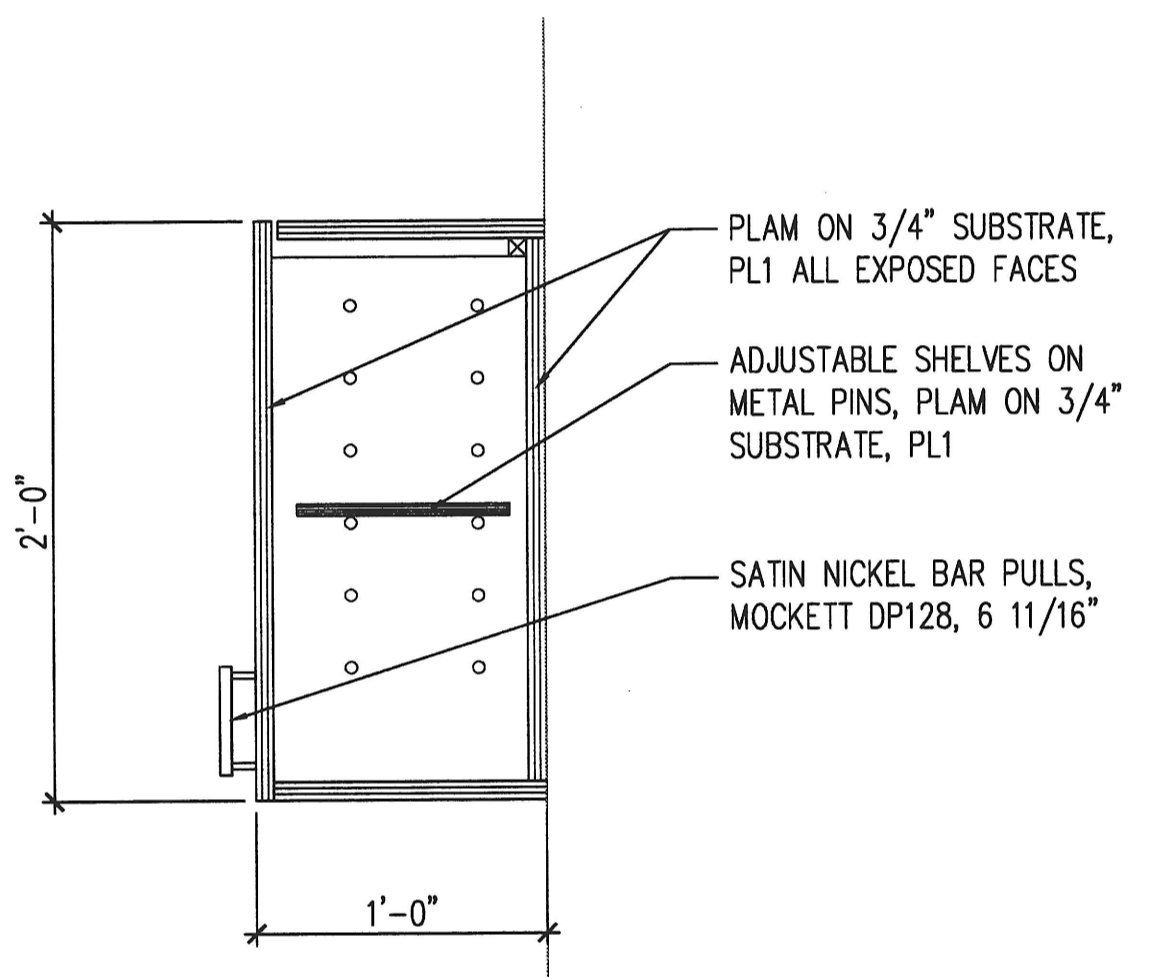
3 DETAIL
A501 1/2"=1'-0"



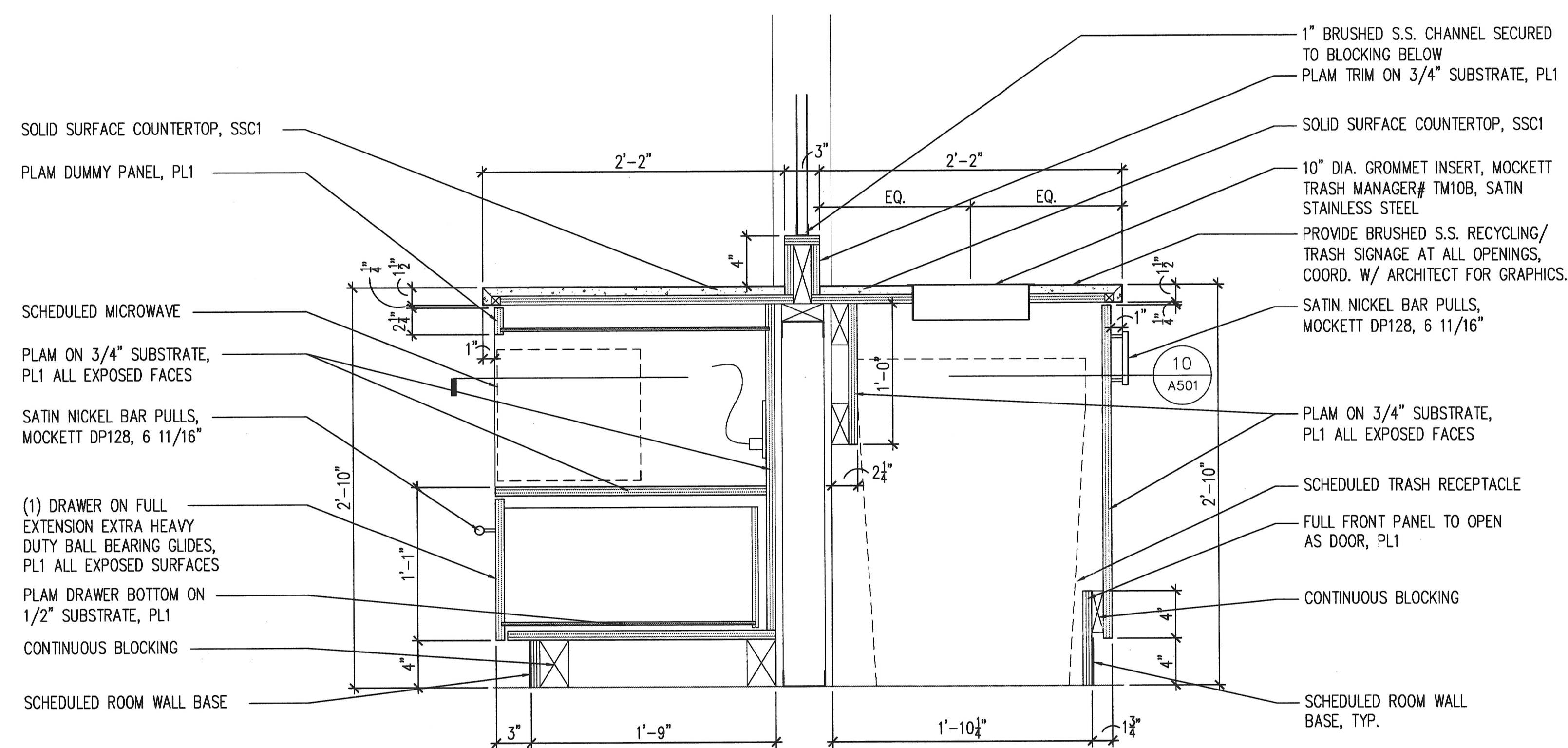
4 DETAIL
A501 1/2"=1'-0"



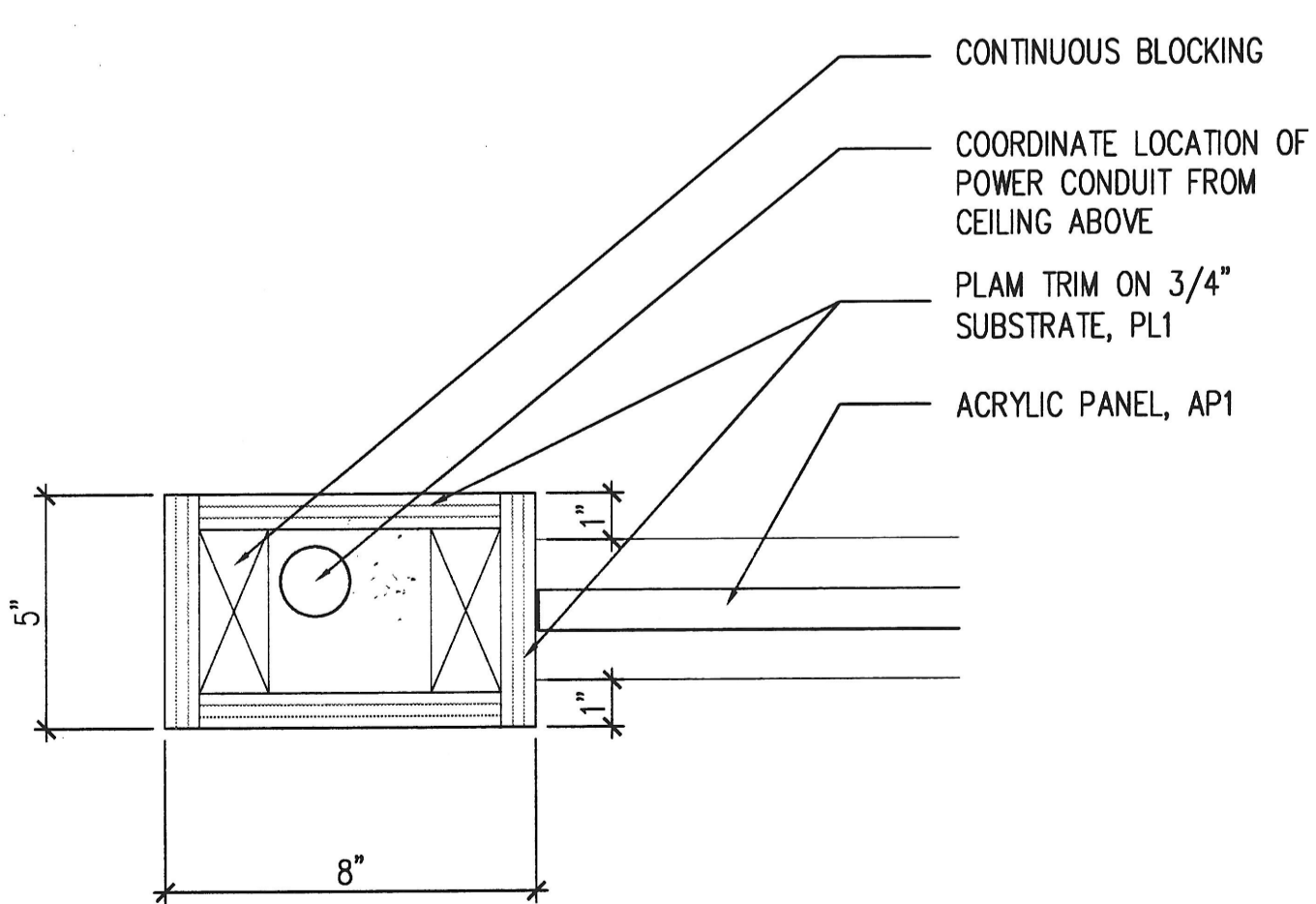
5 DETAIL
A501 1/2"=1'-0"



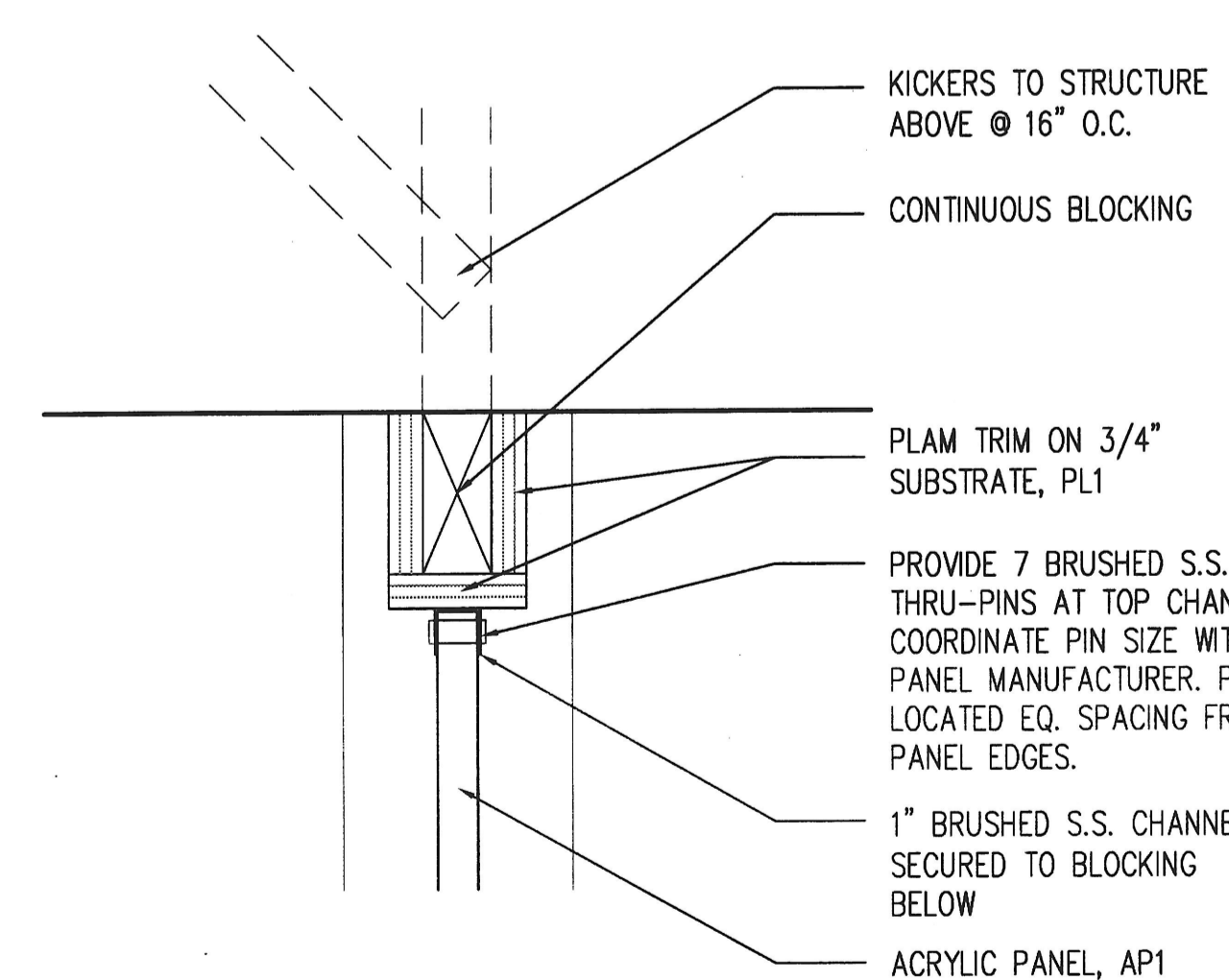
6 DETAIL
A501 1/2"=1'-0"



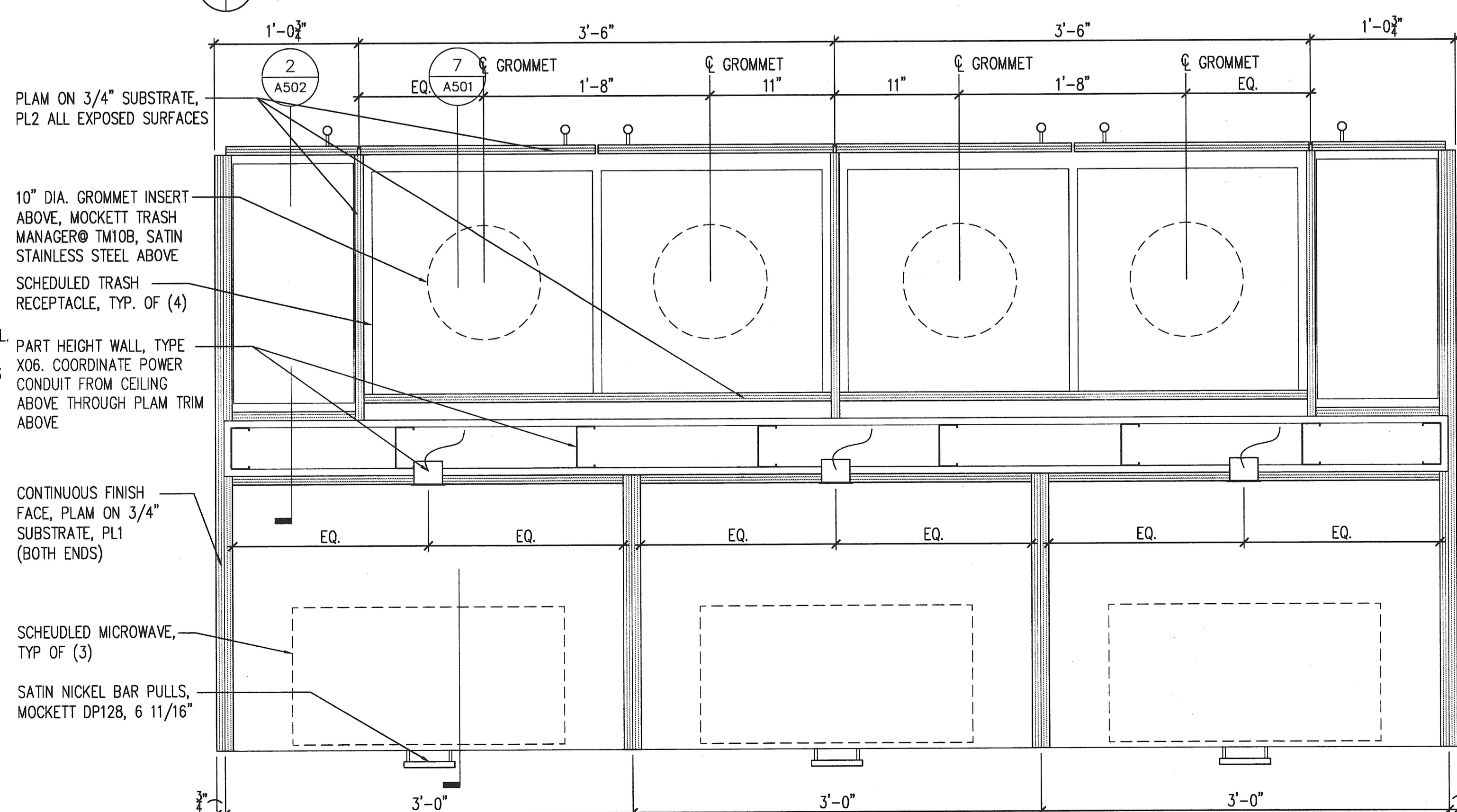
7 DETAIL
A501 1/2"=1'-0"



8 DETAIL
A501 3"=1'-0"



9 DETAIL
A501 3"=1'-0"



10 DETAIL
A501 1/2"=1'-0"

DESIGN COLLECTIVE

ARCHITECTURE, PLANNING, INTERIORS
 601 EAST PRATT STREET, SUITE 300
 BALTIMORE, MARYLAND 21202
 WWW.DESIGNCOLLECTIVE.COM
 T: 410.685.6655 F: 410.539.6242
 312 BLACKWELL STREET, SUITE 100
 DURHAM, NORTH CAROLINA 27701
 T: 919.381.9322 F: 919.381.9323

DESIGN COLLECTIVE, INC. ALL RIGHTS RESERVED

ISSUED FOR	DATE
BID SET	07.07.2011
PERMIT	07.15.2011

CONSULTANT

OWNER / DEVELOPER
Johns Hopkins Healthcare
 6704 Curtis Court
 Glen Burnie, MD 21060

PROJECT NAME
Johns Hopkins Healthcare Masterplan

PROJECT ADDRESS
 6701 Curtis Court
 Suite D
 Glen Burnie, MD 21060
 PROJECT MANAGEMENT
 DCI Project No. 459-10-01

SEAL
 "I certify that these documents were prepared or approved by me, and that I am a duly licensed architect under the laws of the State of Maryland, License No. 9684, expiration date 09/11"

By: Fred S. Marino, AIA
 Design Collective, ARCHITECT
 No. 9684
 Date: 07.15.2011

SHEET TITLE
DETAILS

SHEET NUMBER
A501

SCALE
 AS NOTED